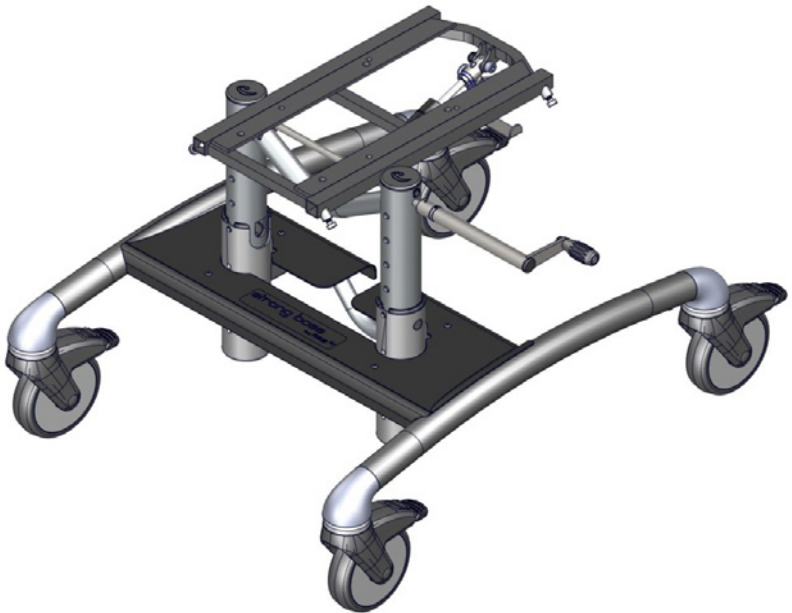




600 mm (23½")













<120 kg (264.5 lb)

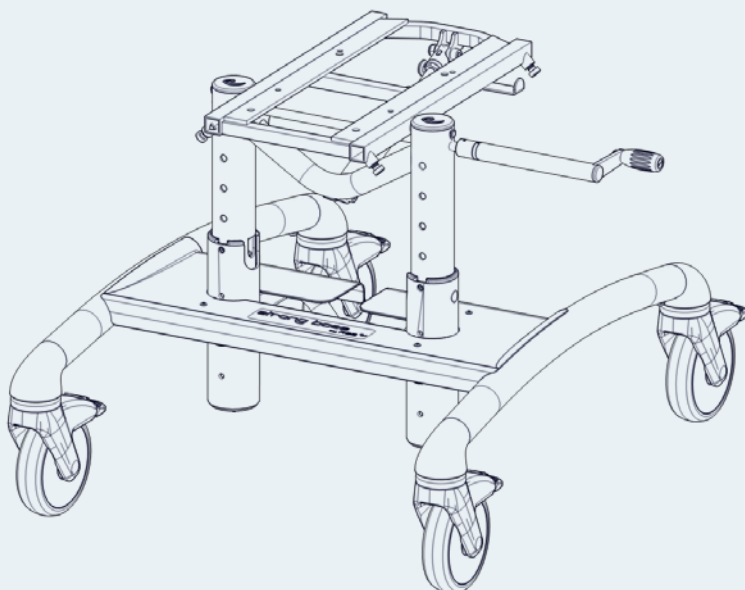


Strong Base User Guide

EN 12182

2021_01-rev.8

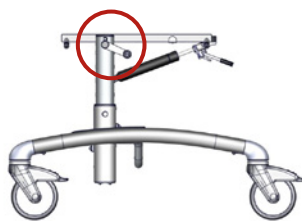
	3	ENGLISH DEUTSCH	22 - 24 25 - 27
	4	NEDERLANDS DANSK	28 - 30 31 - 33
	5 - 8	NORSK SVENSKA	34 - 36 37 - 39
	9	SUOMI ESPAÑOL	40 - 42 43 - 45
	10 - 11	FRANÇAIS ITALIANO	46 - 48 49 - 51
	12 - 14	PORTUGUÊS PORTUGUÊS DO BRASIL	52 - 54 55 - 57
	15	РОССИЯ POLSKI	58 - 60 61 - 63
	16	ČESKY 中國	64 - 66 67 - 69
	17 - 19	日本 ΕΛΛΗΝΙΚΗ	70 - 72 73 - 75
mm (inch)	20		
	21		



<120 kg
<264.5 lb

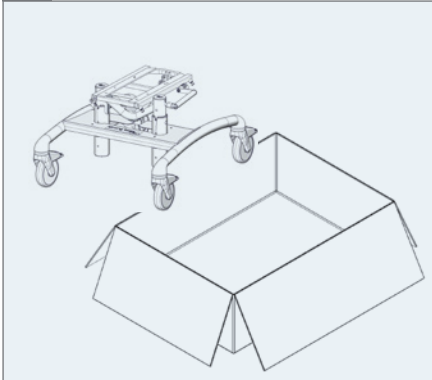


<120 kg
<264.5 lb

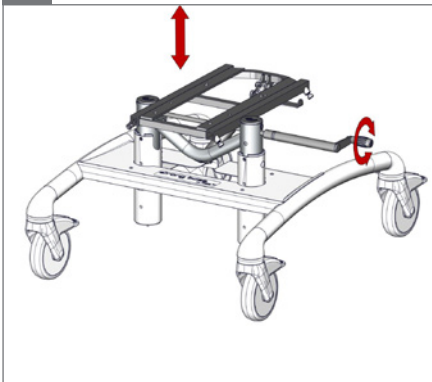




1.



2.

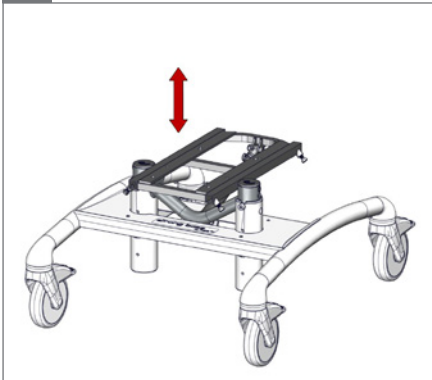


3.



4.

⊕ 6 mm, ⚙ 13 mm



5.

⊕ 6 mm, ⚙ 13 mm

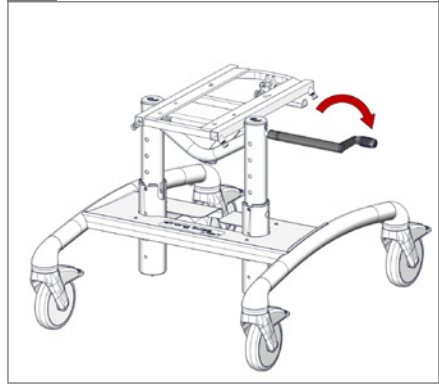




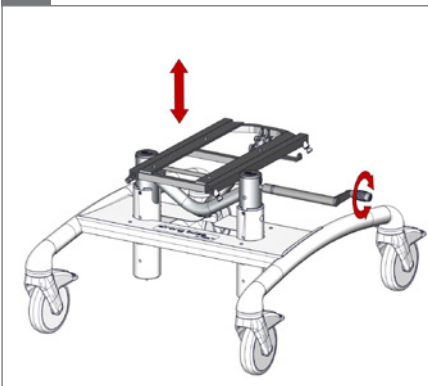
1.



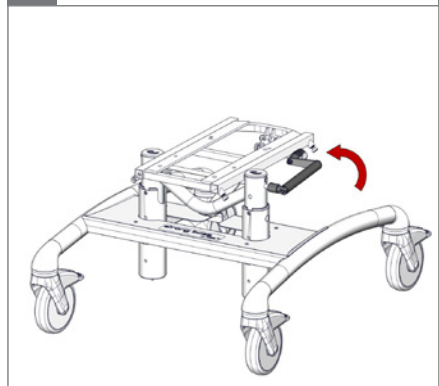
2.



3.



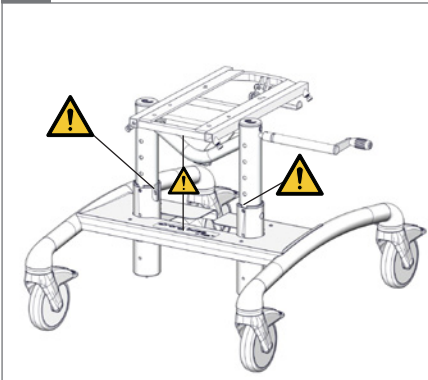
4.



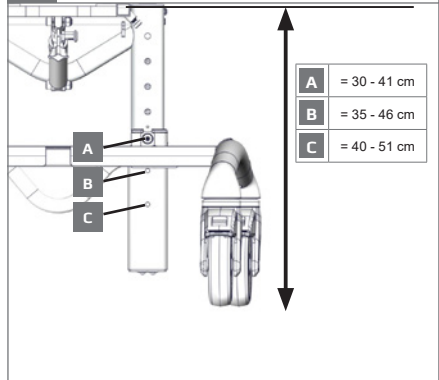
5.



05



6.

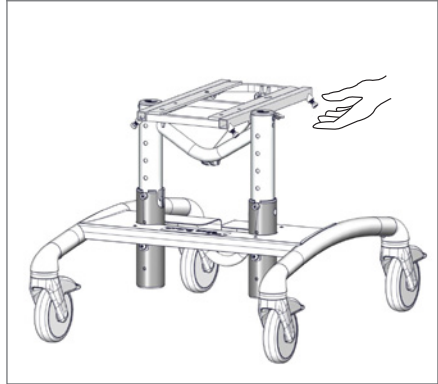




1.

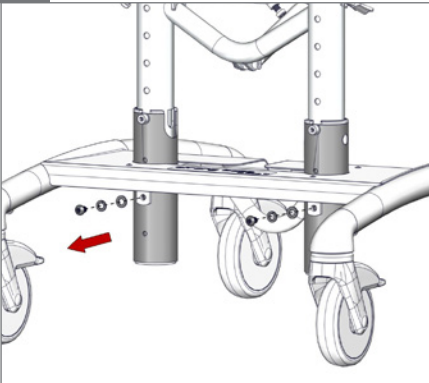


2.



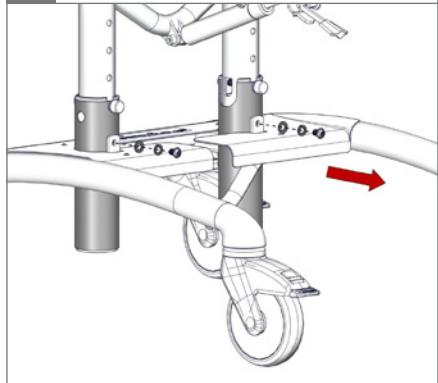
3.

⊙ 5 mm

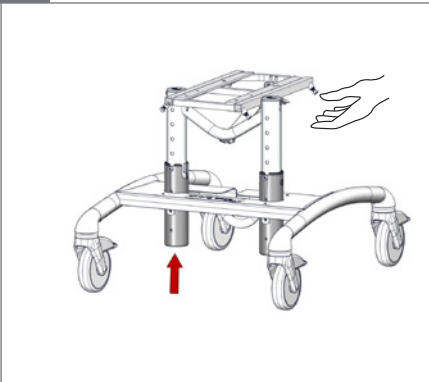


4.

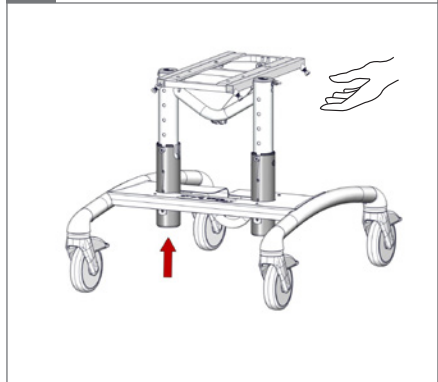
⊙ 5 mm



5.



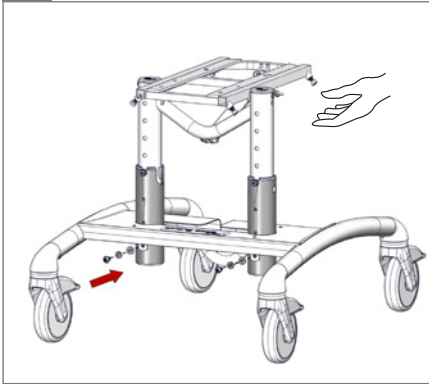
6.





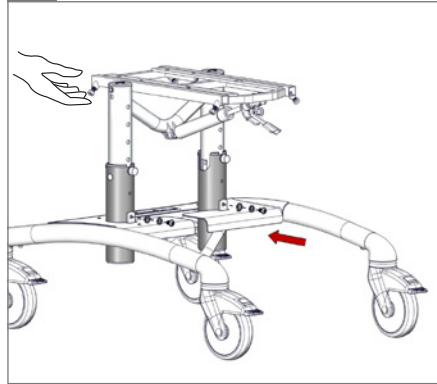
7.

○ 5+6 mm 2,5 Nm

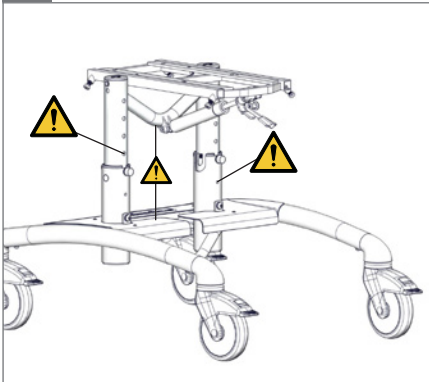


8.

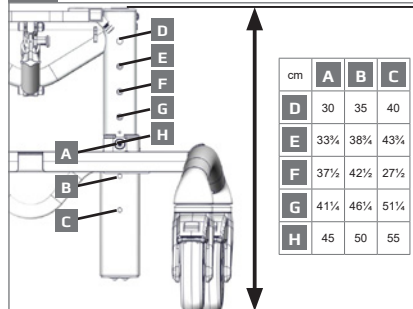
○ 5 mm, ⚙ 13 mm - 2,5 Nm



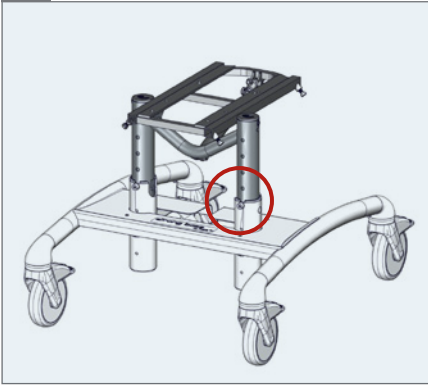
9.

 05

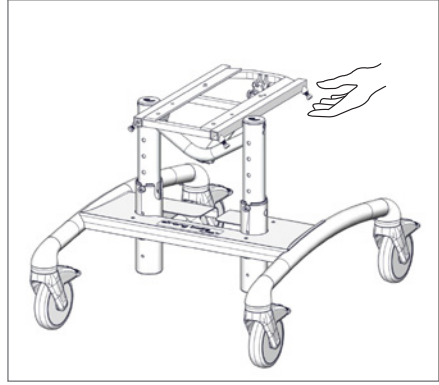
10.



1.

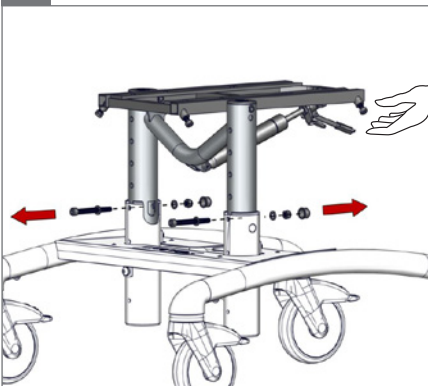


2.

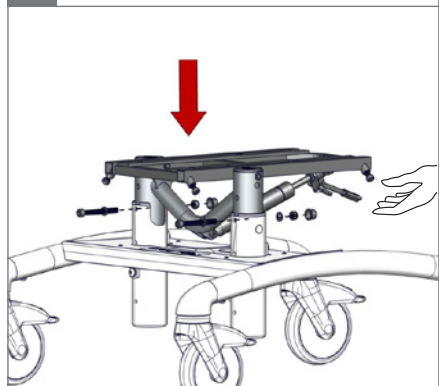


3.

○ 6 mm, ⚙ 13 mm

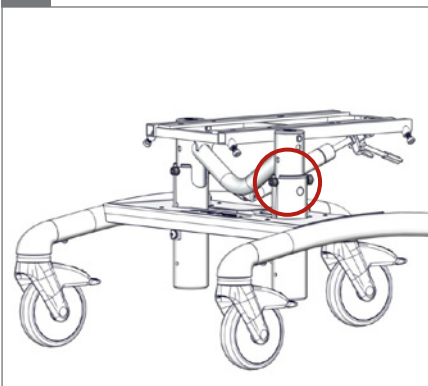


4.



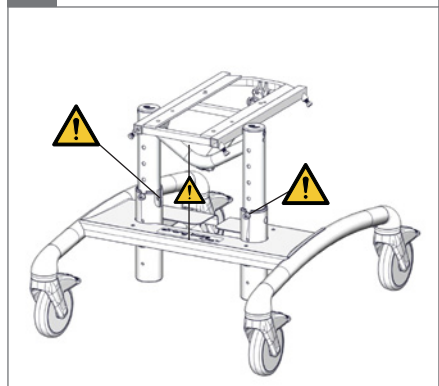
5.

○ 6 mm, ⚙ 13 mm - 2,5 Nm



6.

05

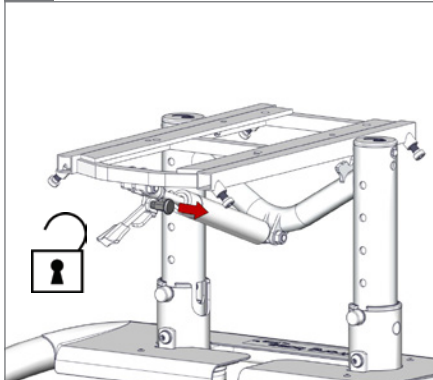




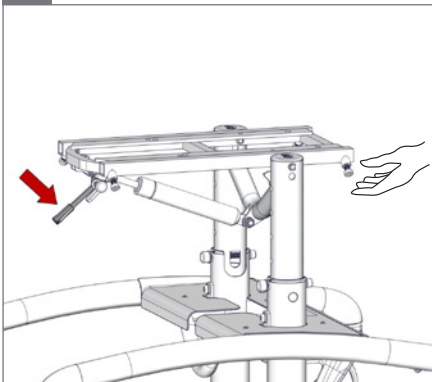
1. $-10^{\circ} - +25^{\circ}$



2.

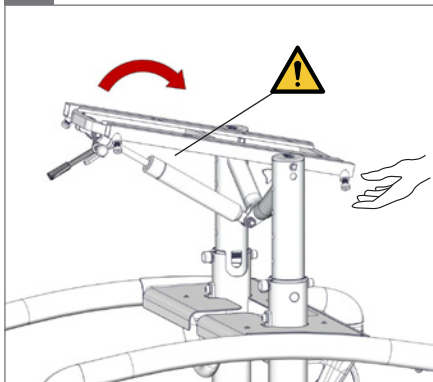


3.

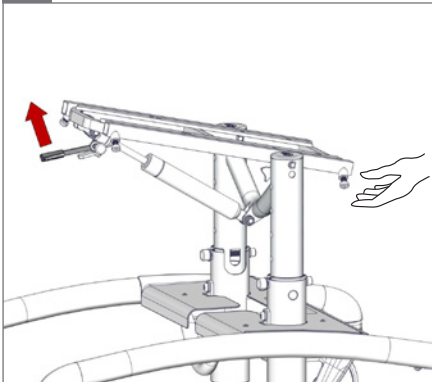


4.

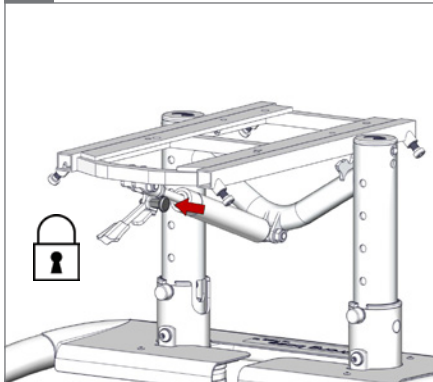
 05



5.



6.





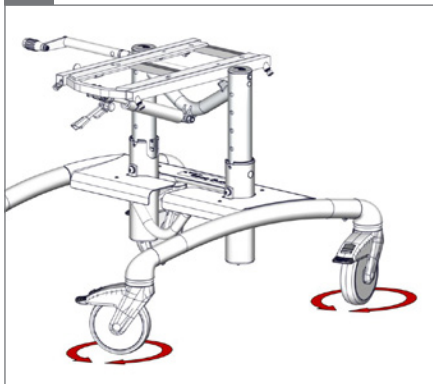
1.



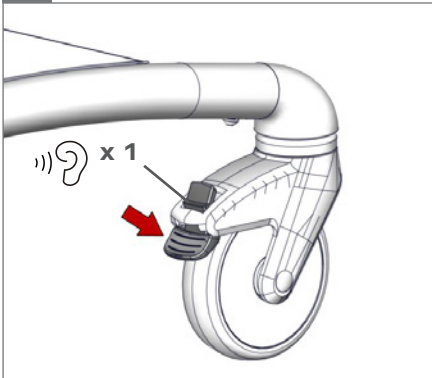
2.



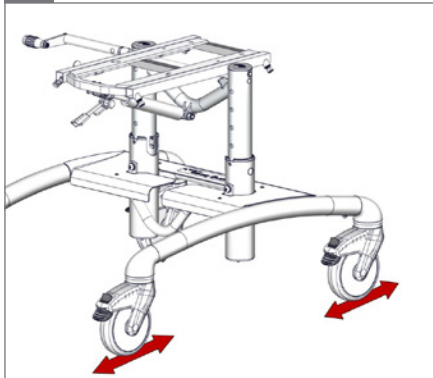
3.



4.



5.

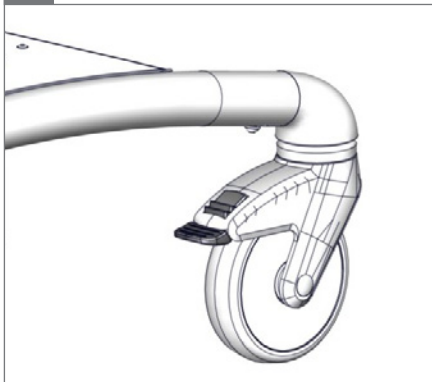




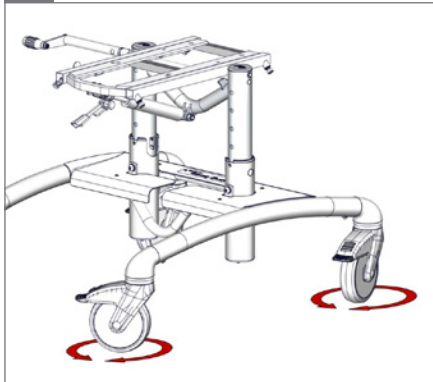
1.



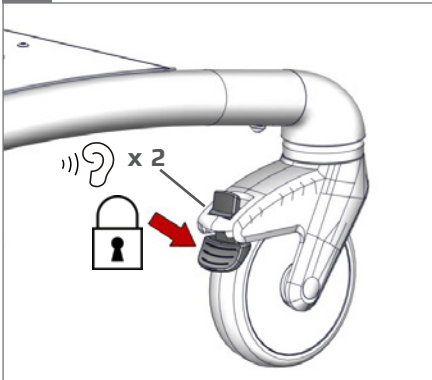
2.



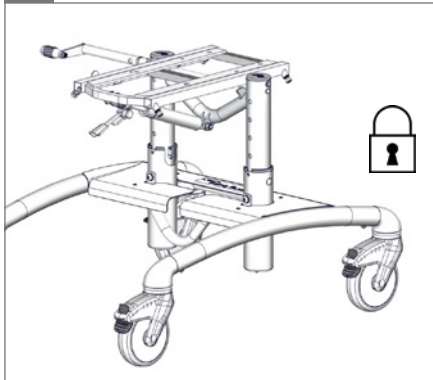
3.



4.



5.





1.

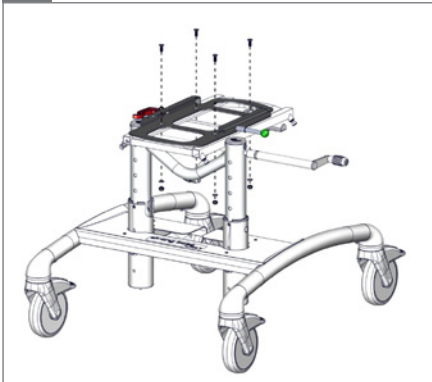


2.

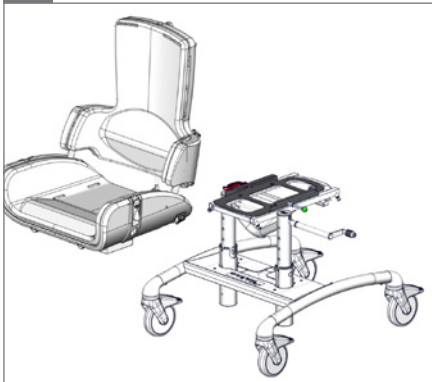


3.

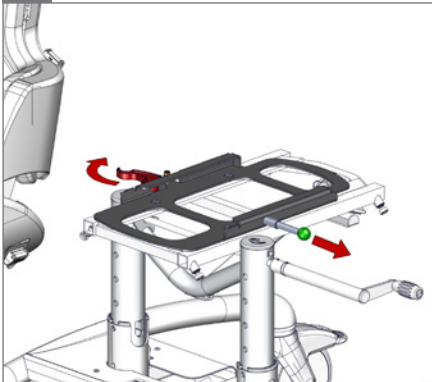
○ 4 mm, ⚙️ 10 mm - 2,5 Nm



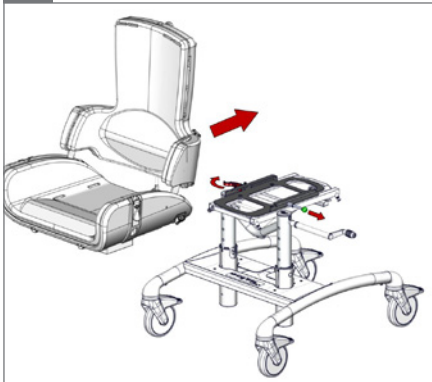
4.



5.



6.

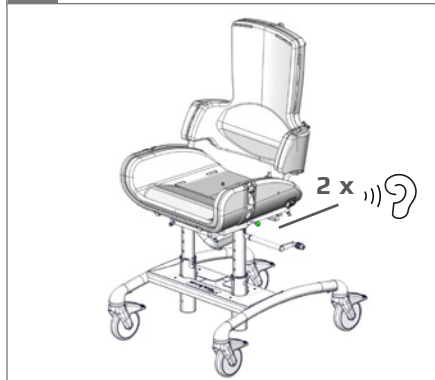




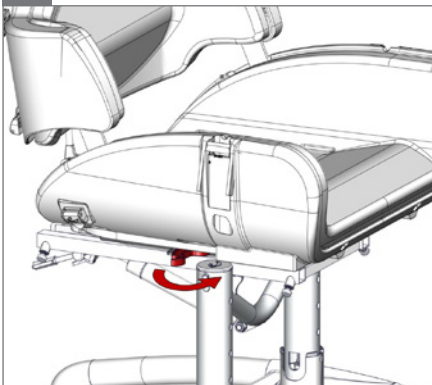
7.



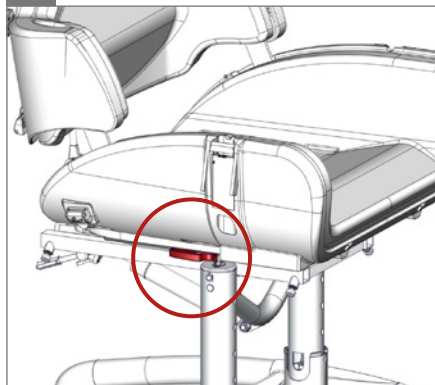
8.

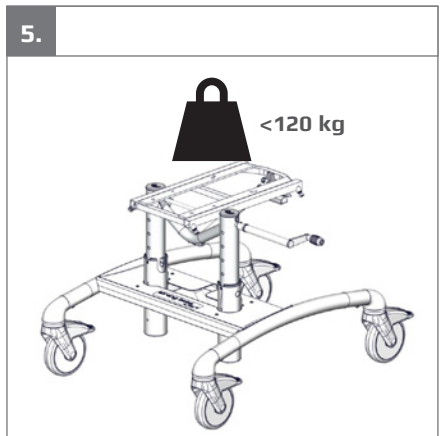
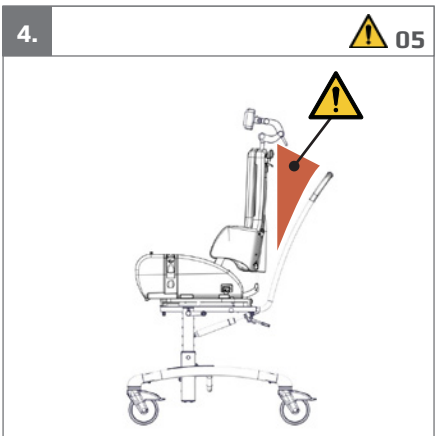
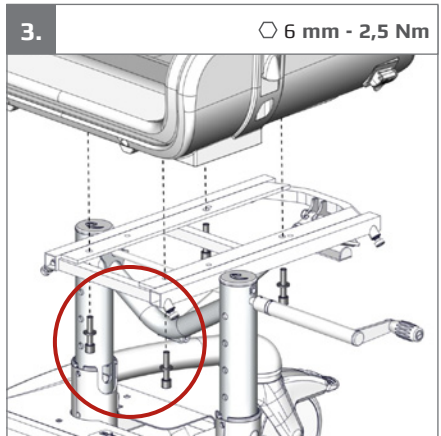
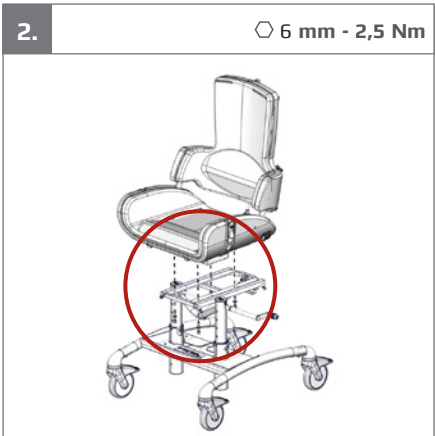


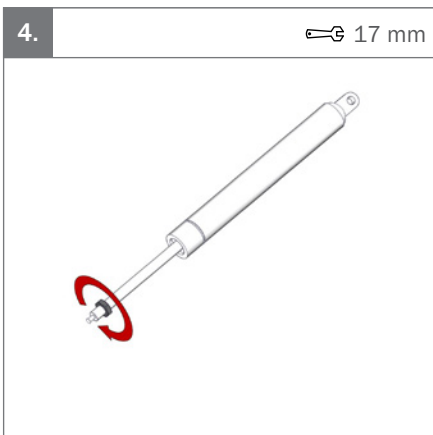
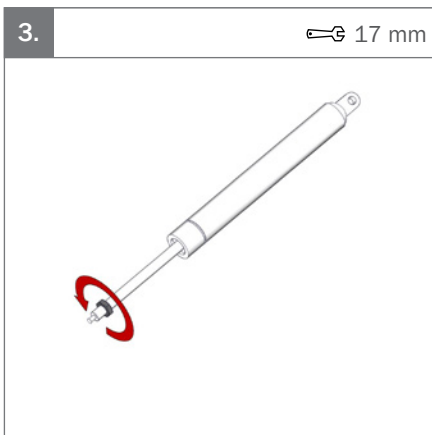
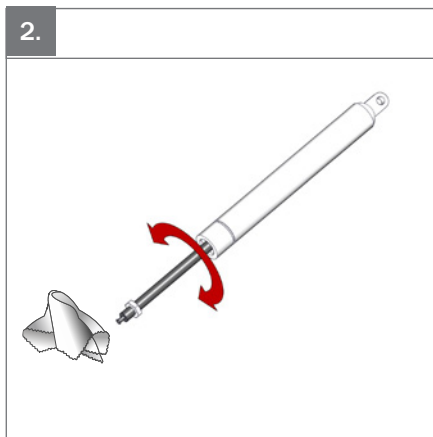
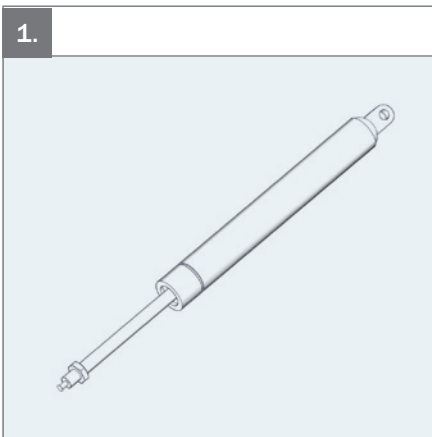
9.

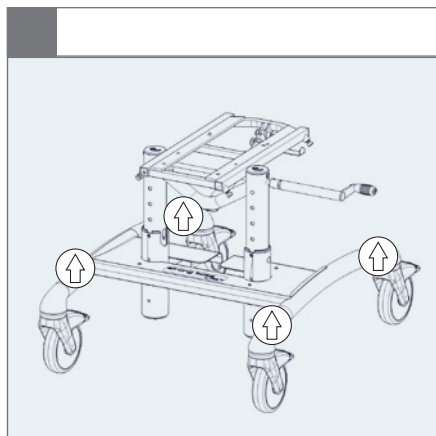
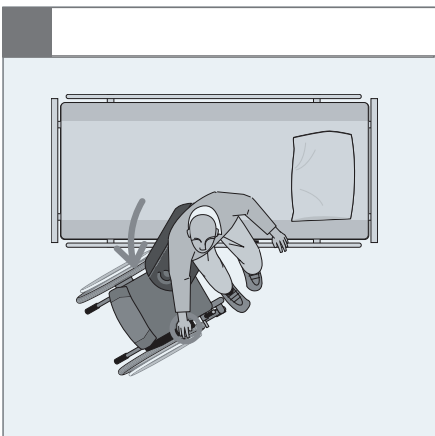
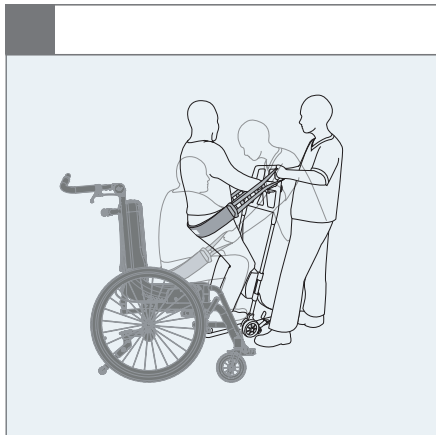
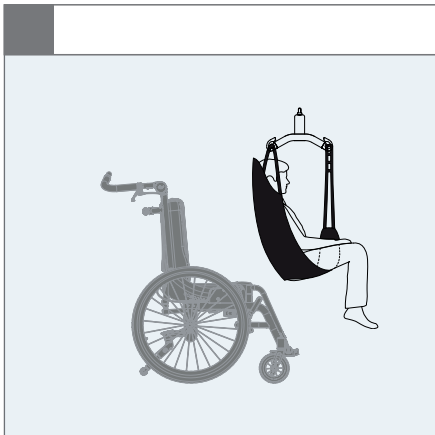
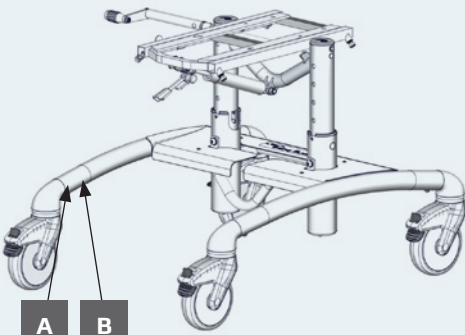


10.











A Product: xxxx - Size x
 Art. no.: xxxxxxxx Max load: xxx kg
 XXXXXXXX
 DMR ver.: XXXX Mass device: xxx kg
 Max rated load: xxx kg



B **R82**[®]
 by Etac
 R82 A/S Parallelvej 3
 DK-8751 Gedved
 etac.com
 Made in XXXXXXXX YYY-MM-DD



EN: For indoor use

NO: For innendørs bruk

FR: Utilisation intérieure

RU: Для использования в помещении

JP: 屋内使用

DE: Für den Innengebrauch

SV: För inomhusbruk

IT: Per uso interno

PL: Do użytku wewnątrz

GR: Κατάλληλο για εσωτερική χρήση

NL: Voor binnenhuis gebruik

FIN: Sisäkäyttöön

PT: Para utilização em interiores

CZ: Pro vnitřní používání

DK: Til indendørs brug

ES: Para uso en interiores

BR: Para uso interno

SN: 适用于室内使用



EN: Consult instructions. The latest version of the instructions is always available on the etac website and can be printed in larger sizes

NO: Sjekk bruksanvisning på nett. Nyeste versjon av bruksanvisningen er alltid tilgjengelig, og kan skrives ut fra etac nettsted

FR: Se reporter aux instructions / consulter les instructions. La version la plus récente est toujours disponible et peut être imprimée dans un grand format à partir du site internet de etac

RU: Прочитайте инструкции. Новейшая версия инструкций всегда доступна на веб-сайте компании etac и может быть распечатана в увеличенном размере

JP: 説明をお読みください。この説明の最新バージョンは、etac の Web サイトからいつでもご利用いただけます。大きなサイズで印刷することができます

DE: Bedienungsanleitung. Die neueste Version der User Guide ist auf der etac Internetseite verfügbar und steht zum Download bzw. Ausdruck zur Verfügung

SV: Se anvisningarna. Den senaste versionen av anvisningarna finns alltid tillgänglig och kan skrivas ut i större storlek från etac:s webbplats

IT: Leggere le istruzioni. Le ultime versioni dei manuali di istruzioni sono sempre disponibili sul sito web etac e possono essere stampate in dimensioni maggiori

PL: Zapoznanie się z instrukcją. Najnowsze wersje instrukcji obsługi są dostępne na stronie internetowej etac i można je wydrukować w większych formatach

GR: Διαβάστε τις οδηγίες. Οι τελευταίες εκδόσεις των οδηγιών είναι πάντοτε διαθέσιμες στην ιστοσελίδα της etac και μπορούν να εκτυπωθούν σε μεγαλύτερα μεγέθη

NL: Raadpleeg de instructies. De meest recente versie van alle instructies zijn altijd beschikbaar en kunnen worden afgedrukt in de groter formaat vanaf de etac website

FIN: Lisäohjeet. Viimeisin versio kaikista ohjeista on aina saatavilla ja tulostettavissa etac nettisivustolta

PT: Leia as instruções. As últimas versões das instruções estão sempre disponíveis na página da etac na internet e podem ser impressas em tamanhos maiores

CZ: Poradenství a instrukce. Nejaktuálnější verze všech instrukcí je vždy dostupná na webu etac, odkud se dá stáhnout a i vytisknout

DK: Se vejledning. Den seneste version af denne vejledning er altid tilgængelig og kan udskrives i større størrelser fra etac hjemmeside

ES: Consulte las instrucciones. La última versión de todas las instrucciones está siempre disponible y se puede imprimir en tamaños superiores desde la página web de etac

BR: Leia as instruções. As versões mais recentes das instruções sempre encontram-se disponíveis no site da etac e podem ser impressas em tamanhos maiores

SN: 参考说明。所有说明的最新版本都能够在etac网络上下载或打印



EN: Warning: This symbol appears in the User Guide along with a number referring to the instructions below. It draws attention to situations where the product or the user or carer's safety may be in danger
01 = Entrapment Hazards
02 = Tilting Hazards
03 = Transportation in motor vehicles
05 = Squeezing Hazard

NO: Advarsel: Dette symbolet blir vist i brukerveiledningen sammen med et tall som henviser til instruksjonene under. Det gjør oppmerksom på situasjoner der produktet eller brukernes/omsorgytrens sikkerhet kan være truet
01 = Fare for å bli sittende fast
02 = Vippefare
03 = Transport i motorkjøretøyer
05 = Klemfare

FR: Avertissement: Ce symbole apparaît dans le guide de l'utilisateur avec un numéro faisant référence aux instructions ci-dessous. Il attire l'attention sur les situations dans lesquelles la sécurité du produit ou de l'utilisateur ou du soignant peut se trouver compromise
01 = Risques de coincement
02 = Risques à la bascule
03 = Transport à bord de véhicules motorisés
05 = Risques de pincement

RU: Предупреждение: Данное обозначение указывается в руководстве по эксплуатации вместе с номером, который относится к нижеприведенным инструкциям. Оно используется для привлечения внимания к ситуациям, в которых существует опасность для изделия, пользователя или лица, осуществляющего уход за пользователем
01 = Риск защемления
02 = Наклонное положение
03 = Передвижение в транспортных средствах
05 = Риск сжатия

JP: 警告: この記号は、以下の説明を示す番号と共にユーザーガイドに表示されています。これは、製品やユーザーまたは介護者が危険にさらされる状況について、注意を喚起します。
01 = 挟まる危険
02 = 傾斜させる際の危険
03 = 自動車内の輸送
05 = 圧迫の危険

DE: Warnung: Dieses Symbol erscheint in der Bedienungsanleitung zusammen mit einer zu den nachfolgenden Anleitungen gehörenden Nummer. Sie lenkt die Aufmerksamkeit auf Situationen, die für das Produkt oder den Betreuer ein Sicherheitsrisiko darstellen können.
01 = Gefahr durch Einklemmen
02 = Kippgefahr
03 = Warnhinweise! - Beförderung in Kraftfahrzeugen
05 = Gefahr durch Quetschen

SV: Varning: Den här symbolen används i handboken tillsammans med ett nummer som hänvisar till instruktionerna nedan. Den uppmärksammar på situationer som kan utgöra en säkerhetsrisk för produkten, användaren eller vårdgivaren.
01 = Risk att fastna
02 = Tipprisk
03 = Transport i fordon
05 = Klämrisk

PT: Avvertenza: Questo simbolo viene utilizzato nel Manuale Utente con un numero di riferimento alle istruzioni riportate di seguito. Richiama l'attenzione alle situazioni in cui la sicurezza del prodotto, dell'utente o dell'operatore potrebbe essere in pericolo
01 = Pericolo di incastro
02 = Pericoli durante la reclinazione della seduta
03 = Trasporto nei veicoli a motore
05 = Pericolo di schiacciamento

PL: Ostrzeżenie: Ten symbol pojawia się w podręczniku obsługi wraz z numerem odnoszącym się do poniższych instrukcji. Zwraca on uwagę na sytuacje, w których bezpieczeństwo produktu, użytkownika lub opiekuna może być zagrożone.
01 = Ryzyko uwięzienia
02 = Zagrożenia przechyty
03 = Transport w pojazdach silnikowych
05 = Ryzyko zmiążdżenia

NL: Waarschuwing: Dit symbool staat in de gebruiksaanwijzing samen met een getal dat naar de hieronder vermelde instructies verwijst. Het vestigt de aandacht op situaties waarin het product, de gebruiker of de veiligheid van derden in gevaar kan zijn.
01 = Gevaar voor beknelling
02 = Kantelgevaar
03 = Vervoer in motorvoertuigen
05 = Gevaar voor samendrukken

FIN: Varoitus: Tämä symboli näkyy käyttöohjeessa yhdessä numeron kanssa, joka viittaa jäljempänä näkyviin ohjeisiin. Sen avulla kiinnitetään huomiota tilanteisiin, joissa tuote tai käyttäjän tai hoitajan turvallisuus voi vaarantua.
01 = Juuttumisvaarat
02 = Vaarat kallistettaessa
03 = Kuljettaminen moottoriajoneuvoissa
05 = Puristumisvaara
PT: Aviso: Este símbolo aparece no Guia do Utilizador juntamente com um número a remeter para as instruções abaixo. Chama a atenção para situações em que possa estar em risco a segurança do produto, do utilizador ou do prestador de cuidados.
01 = Riscos de armadilha
02 = Perigos de basculação
03 = Transporte nos veículos motorizados
05 = Riscos de compressão

CZ: Upozornění: Tento symbol je uveden v uživatelské příručce spolu s číslem odkazujícím na níže uvedené ilustrace. Upozorňuje na situace, ve kterých může být ohroženo bezpečnost produktu, uživatele nebo pečovatele.
01 = Nebezpečí zachycení
02 = Riziko při naklápění
03 = Přeprava v motorových vozidlech
05 = Nesprávné použití

DK: Advarsel: Dette symbol vises i brugervejledningen sammen med en nummerhenvisning til nedenstående instruktioner. Det henleder opmærksomheden på situationer, hvor produktet, brugeren eller plejerens sikkerhed kan være i fare
01 = Risiko for fastklemning
02 = Fare for tilt af produkt
03 = Transport i motorkøretøjer
05 = Risiko for klemning

ES: Advertencia: Este símbolo aparece en la Guía del usuario junto con un número de referencia a las siguientes instrucciones. Llama la atención sobre situaciones en las que el producto o el usuario o la seguridad del cuidador pueda estar en peligro
01 = Riesgos de atrapamiento
02 = Peligro de vuelco
03 = Transporte en vehículos
05 = Riesgo de aplastamiento
BR: Advertência: Este símbolo aparece no Manual do Usuário, juntamente com um número relacionado às instruções abaixo. Ele serve para indicar situações nas quais a segurança do produto, do usuário ou do cuidador possa estar comprometida.
01 = Riscos de armadilha
02 = Perigos da Inclinação
03 = Transporte nos veículos motorizados
05 = Riscos de compressão

SN: 警告
在用户指南中该符号同数字一起出现，指示下方所列的各种说明。其目的是唤起对产品、用户或照管者可能处于危险的注意。
01 = 卡住危险
02 = 倾斜危险
03 = 汽车运输
05 = 挤压危险

GR: Προειδοποίηση: Αυτό το σύμβολο εμφανίζεται στις οδηγίες χρήσης συνοδευόμενο από έναν αριθμό που αναφέρεται στις παρακάτω οδηγίες. Εμφιστά την προσοχή σε καταστάσεις στις οποίες ενδέχεται να υφίσταται κίνδυνος για την ασφάλεια του προϊόντος, του χρήστη ή του φρονιτή
01 = Κίνδυνος παγίδευσης
02 = Κίνδυνος ανατροπής
03 = Μεταφορά σε μηχανοκίνητα οχήματα
05 = Κίνδυνος συμπίεσης



EN Correct lifting point

NO: Riktig løftpunkt

FR: Point de levée approprié

RU: Надлежащая точка подъема

JP: リフティング・ポイントの修正

DE: Korrekter Hebepunkt

SV: Korrekt lyftpunkt

IT: Punto di sollevamento corretto

PL: Prawidłowy punkt podnoszenia

GR: Σωστό σημείο λαβής

NL: Correcte techniek van optillen

FIN: Oikea nostopiste

PT: Corrija o ponto de elevação

CZ: Správný zvedací bod

DK: Korrekt løftepunkt

ES: Punto de elevación correcto

BR: Ponto de elevação correto

SN: 请调整吊点



EN: Manual cleaning: Keep clean to maintain optimum function

NO: Manuell rengjøring: Holdes rent for å opprettholde optimal funksjon

FR: Nettoyage manuel: Nettoyer régulièrement ce produit pour assurer une utilisation optimale

RU: ручная чистка: Поддерживайте изделие в чистоте для поддержания его оптимального функционирования

JP: 手動洗浄: 機能を最適に維持するために常に清潔にしておいてください

DE: Manuelle Reinigung: Halten Sie das Produkt sauber um eine optimale Funktionstüchtigkeit zu gewährleisten

SV: Manuell rengöring: Håll produkten ren för optimal funktion

IT: Pulizia maniale: Mantenere pulito per mantenere un funzionamento ottimale

PL: Czyszczenie ręczne: Utrzymać w czystości, aby zapewnić optymalne funkcjonowanie

GR: χειροκίνητο καθαρισμό: Διατηρείτε το προϊόν καθαρό για να εξασφαλίσετε την άψογη λειτουργία του

NL: Handmatige reiniging: Schoonhouden om een optimale werking te behouden

FIN: Manuaalinen puhdistus: Puhtaanaapito ylläpitää optimaalisen toiminnan

PT: Limpeza manual: Mantenha o produto limpo para conservar o bom funcionamento

CZ: Czyszczenie ręczne: Udržujte v čistotě a tím zajistíte optimální funkčnost

DK: Manuel rengøring: Skal holdes rent for at opretholde optimal funktion

ES: Limpieza manual: Mantenga la limpieza para conservar el funcionamiento óptimo del producto

BR: Limpeza manual: Mantenha o produto limpo para sempre contar com sua melhor função

SN: 手工清洗: 做好产品清洁, 以维持设备的最佳功能。



EN: Listen to click sound

NO: Lytt etter en klikkelyd

FIN: Écoutez le dé clic

RU: Прислушайтесь, чтобы услышать щелчок

JP: カチッと言う音が聞こえます

DE: Achten Sie auf das Klicken.

SV: Lyssna efter klickljudet

IT: Attendere che venga emesso un clic

PL: Nasłuchuj dźwięku zatrzasknięcia.

GR: Ακούστε το κλικ

NL: Let op het klikgeluid.

FIN: Kuuntele napsahtavaa ääntä

PT: Ouvir o som de clique

CZ: Věnujte pozornost zvuku cvaknutí

DK: Vær opmærksom på klik lyden

ES: Escuche el clic

BR: Ouça ao som de clique

SN: 注意听叩击声

mm (inch)



600 (23½")

600 (23½")



700 (27½")

700 (27½")



830 (32¾")

830 (32¾")



300-550 (11¾-21¾")

300-510 (11¾-20")



795-1045 (31¼-41¼")

795-1005 (31¼-39½")



420-670 (16½-26½")

420-630 (16½-24¾")

Seat surface height at front edge with x:panda sz. 4



450-700 (17¾-27½")

450-660 (17¾-26")

Seat surface height at front edge with Panda Futura 5

Footrest to adaptor plate

160-350 (6¼-13¾")

160-350 (6¼-13¾")



-10-25°

-10-25°

Seat plane angle



120 kg (264.5 lb)

120 kg (264.5 lb)

Max load



14 kg (30.8 lb)

15,5 kg (34.1 lb)

Mass device



136 kg (299.8)

137,5 kg (303.1 lb)

Max rated load



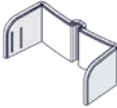
9996097118

N/A



9996097703

N/A



9996097738

N/A



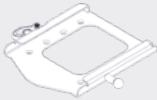
9996097739

N/A



9996097265

N/A



9996097714

N/A

N/A

N/A

N/A

N/A

ENGLISH

We appreciate your choice of a new product from R82 - a worldwide supplier of technical aids and appliances for children and adults with special needs. To fully benefit from the options offered by this product please read this User Guide before use and save it for future reference.

Intended purpose

The device is a frame for seating systems for children and adults with disabilities.

Indications

The device is used together with a seating system (i.e. a modular seating system like R82 x:panda or R82 Panda Futura). It can be used by children and adults with disabilities, who lack the ability to maintain a seated position and move around (Within the room or between rooms / outdoors) without an assistive device. The target group for the device is based on functional ability and anthropometry. It is not based on a specific health condition or age.

The user is the person sitting in the seat used with the frame. The caregiver is the person operating the frame. Never leave the user unattended in this product. Ensure permanent supervision by a caregiver. The use of the device will be discontinued more times during the day where the user will be lying down, standing or sitting in another assistive device or a conventional product.

Contra indications

There are no known contra indications

Precautions

There are no known precautions

Application areas

The product is for indoor use



Declaration of Conformity

This product conforms to the requirements of the Medical Devices Regulation (2017/745). The CE mark must be removed when rebuilding the product, when used in combination with a product from another manufacturer or when using other than original R82 spare parts and fittings. Further, this product conforms to the requirements according to:

- EN 12182

The CE mark must be removed when:

- Rebuilding the product
- Using the product outside the intended purpose and declaration of conformity
- Using other than original R82 spare parts and fittings

When combining the device with other products, the combination must not change the intended purpose of the products or modify the products in such a way that compliance with the applicable requirements may be affected. The person / company responsible for the combination of the products must ensure that the applicable requirements are fulfilled.

Applicable requirements examples:

- Alignment of user weight/mass of the combined seat and base, approval for transportation in vehicles of both products (ISO16840-4 for seat and ISO7176-19 for base)

- Material safety (biocompatibility, flammability), mechanical safety (stability, squeezing hazards, inter connection), electrical safety



Disposal

When a product reaches the end of its lifetime, it should be separated by material type so that the parts can be recycled or disposed of properly. If required, please contact your local dealer for a precise description of each material. Please contact your local authorities to be informed of the options available for recycling in an environmentally-friendly way.

Accessories and spare parts

The products from R82 can be supplied with a variety of accessories including vests and belts which comply with the needs of the individual user. Spare parts can be ordered on request. Find the specific accessories on our website or contact your local dealer for further information.

R82 Warranty

R82 offers a 2-year warranty against defects in workmanship and materials and a 5-year warranty on breakage of the metal frame caused by defects in welds. The warranty would be adversely affected if the customer's responsibility of servicing and/or maintenance is not carried out according to the guidelines and intervals prescribed by the supplier and/or stated in the User Guide. For further information, we refer to the etac homepage/download.

The lifetime of this product in normal use is 8 years if all maintenance and servicing is carried out in accordance with the manufacturer's instructions and demonstrably recorded. The device may be reissued within its lifetime

The warranty is only granted in the country where the product was purchased and if the product can be identified by the serial number. The warranty does not cover accidental damage, including damage caused by misuse or neglect. The warranty does not extend to consumable items e.g. tires or upholstery, which are subject to normal wear and tear and need periodic replacement.

The warranty is null and void if other than original parts/accessories are used, or if the product has not been maintained, repaired or altered according to the guidelines and intervals prescribed by the supplier and/or stated in the User Guide. R82 reserves the right to inspect the product being claimed for and the relevant documentation before agreeing to the warranty claim, and to decide upon whether to replace or repair the defective product. It is the customer's responsibility to return the item being claimed for under warranty to the address of purchase.

Presales information

- www.etac.com

Safety

Signs, symbols and instructions placed on this product must never be covered or removed and must remain present and clearly legible throughout the entire lifetime of the product. Immediately replace or repair illegible or damaged signs, symbols and instructions. Contact your local dealer for instructions.

In case of an adverse event occurred in relation to the device, incidents should be reported to your local dealer and the national competent authority in a timely manner. The local dealer will forward information to manufacturer.

Caregiver

- Read the "User Guide" carefully before use and keep it for future reference. Incorrect use of this product may cause serious injury to the user
- This product contains small parts which could present a choking hazard if removed from their intended placing
- Always use the correct lifting techniques and aids for this purpose
- Never leave the user unattended in this product. Ensure permanent supervision by a caregiver
- Repair/replacements must only be made using new original R82 spare parts and fittings and carried out in accordance with the guidelines and service intervals prescribed by the supplier
- If there is any doubt as to the continued safe use of your R82 product or if any parts should fail, stop using the product immediately and contact your local dealer as soon as possible
- Ensure that moving parts does not squeeze or trap body parts when adjusting them
- Ensure that body parts are not trapped in openings for mounting of supports/accessories.
- Information regarding frame and seat combinations including max. load in combination can be found at: etac.com

Environment

- Observe the surface temperature on the product, before placing an user in it. This goes especially for users with insensitive skin as they cannot feel the heat. If the surface temperature is above 41 °C then allow the product to cool before use
- Use this product on a level surface without any obstacles. Be aware of reduced maneuverability on slippery surfaces

User

- If the user is close to the max. load limit and/or has a lot of involuntary movements, e.g. rocking, a larger size with a higher max. load or a different R82 product should be considered

Product

- Carry out all positional adjustments on the product and accessories and ensure that all knobs, screws and buckles are securely fastened before use. Keep all tools out of the reach of children
- Activate the brakes before placing the user into the product
- Ensure the stability of the product is maintained before placing the user in it
- We recommend you notify the user before angling the seat and back
- Ensure the castors are fully-functional and secure before use
- Inspect the product and all of its accessories and replace any worn out parts before use
- Do not expose the gas spring to pressure or high temperatures. DO NOT puncture
- Do not expose the piston rod to scratches etc. It is important to use a cloth or the like, if tools are used to adjust the gas spring
- This product is not to be occupied in a motor vehicle. The user must be positioned in a vehicle seat and the product must be stored in a luggage compartment
- The user must not occupy the product while it is being transported into or out of a vehicle by a lift

Service information

Maintenance of a medical device is wholly the responsibility of the owner of that device. Failure to maintain a device in accordance with the instructions may invalidate the device's warranty. Furthermore, failure to maintain a device may compromise the clinical condition or safety of users and/or their caregivers. Do not perform service and maintenance while the user is in the product.

Contact local dealer for assistance, if needed, in setting up, using or maintenance of the device.

1st Day

- Read the User Guide carefully before use and store it in a safe place for future reference
- Store the enclosed tools on/at the product

Daily

- Use a dry cloth to clean the product
- Visual inspection. Repair or replace any damaged or worn-out parts
- Ensure that all fasteners are in place and fitted correctly
- Check all fittings and buckles for signs of worn out parts
- Be aware of any MAX mark indications before adjustment

Weekly

- Check that all castors are moving freely and that all wheel locks/brakes are easily activated
- Wipe off any residue and dirt from the product using a cloth with warm water and a mild detergent/soap and dry before use

Monthly

- All nuts and bolts on this product must be checked and tightened to avoid unnecessary failures
- Oil the swing-away parts. We recommend you use a professional lubricant system

Annually

- Inspect the frame for cracks or signs for worn-out parts and carry out annual service. Never use a product which appears to be substandard or faulty

Warewashing machine

This product can be washed at 60° using a mild detergent for 10 minutes in a washing machine designed for medical devices. Use the machine's drying function to dry the product.

Disinfection

The product can be disinfected with a 70% disinfectant IPA solution. It is recommended to wipe off any residue and dirt from the product, using a cloth with warm water and a mild detergent/soap without chlorine and let it dry before disinfection.

Service interval

A detailed inspection of the product must be made every 12 months (every 6 months for heavy users) and every time the product is reissued for use. The inspection should be carried out by a technically competent person who has been trained in the use of the product.

Service Check List:

Check and adjust the following functions as per their intended use. Repair or replace any damaged or worn-out parts. Please check the:

- The frame height can be adjusted using the spindle
- Threads for fasteners are in good condition
- Seat plane adjustment. The seat plane is adjustable and stays in position after adjustment.
- Gas-spring for seat tilt is adjusted correctly and is possible to lock the seat plane in position
- Castors are moving freely and all wheel locks/brakes are easily activated
- Nuts and bolts on the product are tightened
- Fittings and buckles for signs of worn out parts
- Product for cracks or signs for worn-out parts
- All labels on the product are intact

DEUTSCH

Wir freuen uns, dass Sie sich für ein neues Produkt von R82 entschieden haben – einem weltweiten Anbieter von technischen Hilfsmitteln und Geräten für Kinder und Erwachsene mit besonderen Bedürfnissen. Damit Sie den vollen Funktionsumfang dieses Produkts nutzen können, lesen Sie bitte dieses Benutzerhandbuch, bevor Sie das Produkt verwenden, und bewahren Sie es sorgfältig auf.

Zweckbestimmung/Indikation

Bei dem Produkt handelt es sich um einen Rahmen für Sitzsysteme für Kinder und Erwachsene mit Behinderungen.

Indikationen

Das Produkt wird zusammen mit einem Sitzsystem (d. h. einem modularen Sitzsystem wie R82 x:panda oder R82 Panda Futura) verwendet. Es kann von Kindern und Erwachsenen mit Behinderungen verwendet werden, die nicht in der Lage sind, eine sitzende Position beizubehalten und sich (innerhalb des Raums oder zwischen Räumen/ im Freien) ohne Hilfsmittel zu bewegen. Die Zielgruppe für das Produkt basiert auf Funktionsfähigkeit und anthropometrischen Eigenschaften. Sie hängt nicht von bestimmten Erkrankungen oder dem Alter des Benutzers ab.

Der Benutzer ist die Person, die auf dem mit dem Rahmen verwendeten Sitz sitzt. Die Pflegekraft ist die Person, die den Rahmen bedient. Lassen Sie den Benutzer während der Verwendung dieses Produkts nie unbeaufsichtigt. Sorgen Sie für eine ständige Beaufsichtigung durch eine Pflegeperson. Die Verwendung des Geräts wird im Laufe des Tages häufiger unterbrochen, wenn der Benutzer sich hinlegt, steht oder in einem anderen Hilfsmittel oder einem herkömmlichen Produkt sitzt.

Bestehende Anwendungsrisiken und Kontraindikationen

Es sind keine Kontraindikationen bekannt

Sicherheitsvorkehrungen

Es gibt keine bekannten Sicherheitsvorkehrungen

Einsatzorte

Das Produkt ist für die Verwendung im Innenbereich vorgesehen.



Konformitätserklärung

Dieses Produkt entspricht den Anforderungen der Verordnung (EU) 2017/745 über Medizinprodukte. Die CE-Kennzeichnung muss entfernt werden, wenn das Produkt umgebaut, zusammen mit einem Produkt eines anderen Herstellers verwendet oder mit anderen als den R82 Original-Ersatz- oder Zubehörteilen benutzt wird. Darüber hinaus entspricht dieses Produkt den Anforderungen gemäß:

- EN 12182

Die CE-Kennzeichnung muss entfernt werden, wenn:

- das Produkt umgebaut wird
- das Produkts außerhalb des vorgesehenen Verwendungszwecks und der Konformitätserklärung verwendet wird
- andere als die Original-R82-Ersatz- und -Zubehörteile verwendet werden

Bei der Kombination des Geräts mit anderen Produkten darf die Kombination den vorgesehenen Verwendungszweck der Produkte nicht verändern und die Produkte nicht derart modifizieren, dass die Einhaltung der geltenden Anforderungen beeinträchtigt werden kann. Die für die Kombination der Produkte verantwortliche Person/Firma muss sicherstellen, dass die geltenden Anforderungen erfüllt werden.

Beispiele für geltende Anforderungen:

- Ausrichtung von Benutzergewicht/-masse des kombinierten Sitzes und Untergestells, Zulassung für den Transport beider Produkte in Fahrzeugen (ISO16840-4 für Sitz und ISO7176-19 für

Untergestell)

- Materialicherheit (Biokompatibilität, Entflammbarkeit), mechanische Sicherheit (Stabilität, Quetschgefahr, Verbindung untereinander), elektrische Sicherheit



Recycling Information

Am Ende des Produktlebenszyklus, kann das Produkt durch das Trennen und Separieren der einzelnen Materialien entsorgt und recycled werden. Bitte kontaktieren Sie bei Bedarf die lokalen Behörden, um sich über die Möglichkeit der umweltfreundlichen Wiederverwendung der einzelnen Materialien des Produktes zu informieren. Bitte kontaktieren Sie die lokalen Behörden, um sich über die Möglichkeiten einer umweltfreundlichen Wiederverwertung des gebrauchten Produktes zu informieren.

Zubehör und Ersatzteile

Das R82 Produkt kann mit einer Vielzahl von verschiedenen Zubehörteilen geliefert werden, um es an die individuellen Bedürfnisse des Nutzers optimal anzupassen. Ersatzteile sind auf Anfrage erhältlich. Sie finden die verschieden Ausführungen des Zubehörs auf unserer Homepage, fragen Sie Ihren Fachhändler nach weiteren Informationen.

R82 Garantie

R82 gewährt eine Garantie von 2 Jahren auf die Verarbeitung und das Material sowie eine Garantie von 5 Jahren auf das Metallgestell (gegen Bruchschäden an Schweißnähten). Die Garantie erlischt, wenn der Kunde seiner Verpflichtung zur täglichen Pflege und/oder Wartung gemäß den vom Hersteller vorgegebenen und/oder in der Bedienungsanleitung genannten Richtlinien und Intervallen nicht nachkommt. Weitere Informationen finden Sie auf der Homepage von etac unter „Download“.

Nutzungsdauer: Die Lebensdauer dieses Produktes beträgt bei normalem Einsatz 8 Jahre unter der Voraussetzung, dass jeder Service und jede Wartung innerhalb der Intervalle des Wartungsplans des Herstellers durchgeführt und dokumentiert worden ist. Das Produkt kann innerhalb seiner Lebensdauer erneut vergeben werden.

Die Gewährleistung besteht nur in dem Land, in dem das Produkt gekauft wurde und wenn sich das Produkt anhand seiner Seriennummer identifizieren lässt. Von der Garantie ausgeschlossen sind Unfallschäden sowie Schäden, die durch falsche Verwendung oder Fahrlässigkeit verursacht wurden. Die Garantie beinhaltet keine Teile, die einem Verschleiß oder einer normalen Abnutzung unterliegen, z.B. Reifen, Polster usw.. Diese Verschleißteile müssen regelmäßig überprüft und bei Bedarf getauscht werden.

Die Garantie erlischt, wenn andere als Originalteile/Originalzubehörteile verwendet werden oder wenn das Produkt nicht den Richtlinien und Abständen entsprechend gewartet, repariert oder verändert wird, die vom Lieferanten vorgeschrieben und/oder in der Bedienungsanleitung aufgeführt sind. R82 behält sich das Recht vor, das fragile Produkt sowie die relevanten Unterlagen in Augenschein zu nehmen, bevor ein Garantieanspruch anerkannt wird, und zu entscheiden, ob das defekte Produkt ausgetauscht oder repariert wird. Der Kunde ist verpflichtet, das fragile Produkt (zu dem der Garantieanspruch geltend gemacht wird) an die Kaufadresse zurückzugeben.

Vorverkaufsinformationen

- www.etac.com

Sicherheitshinweise

Zeichen, Symbole und Anleitungen sind auf diesem Produkt angebracht und müssen auch während der gesamten Lebensdauer des Produktes angebracht bleiben und deutlich lesbar sein. Beschädigte, unlesbare oder entfernte Zeichen, Symbole oder Anleitung müssen sofort ersetzt werden. Setzen Sie sich hierzu mit dem zuständigen Fachhandel in Verbindung. Im Falle eines unerwünschten Ereignisses, das mit dem Produkt zusammenhängt, melden Sie etwaige Vorfälle bitte umgehend Ihrem lokalen Händler und der zuständigen nationalen Behörde. Der lokale Händler leitet die entsprechenden Informationen an den Hersteller weiter.

Eltern, Therapeuten, Pflegedienst

- Lesen Sie diese Bedienungsanleitung aufmerksam vor dem ersten Gebrauch des Produktes und verwahren Sie diese für den späteren Gebrauch. Die Sicherheit des Nutzers kann beeinträchtigt werden, wenn Sie nicht den Anweisungen der Anleitung folgen.
- Dieses Produkt enthält kleine Teile, die bei Verschlucken eine Erstickungsgefahr darstellen können, wenn sie von ihrer vorgesehenen Platzierung entfernt werden.
- Nutzen Sie das Hilfsmittel immer nur zu dem Anwendungszweck, für den es von R82 entwickelt wurde
- Lassen Sie den Benutzer während der Verwendung dieses Produkts nie unbeaufsichtigt. Sorgen Sie für eine ständige Beaufsichtigung durch eine Pflegeperson.
- Für Reparaturen bzw. beim Austausch von Teilen dürfen nur neue Original R82 Ersatz- und Zubehörteile verwendet, die Bedienungsanleitung muss beachtet und die Intervalle für Wartungen, die durch den Lieferanten vorgegeben sind, müssen eingehalten werden
- Wenn Zweifel an der Sicherheit des genutzten R82 Produktes bestehen bzw. wenn Teile defekt oder fehlerhaft sind, stellen Sie bitte sofort die Nutzung des Produktes ein und informieren Sie umgehend, den für Sie zuständigen Fachhändler
- Stellen Sie bei der Einstellung der beweglichen Teile sicher, dass durch diese keine Körperteile gequetscht oder einklemmt werden
- Stellen Sie sicher, dass keine Körperteile in Öffnungen zur Anbringung von Stützen/Zubehör eingeklemmt werden.
- Informationen zu den Rahmen- und Sitzkombinationen einschließlich max. Belastung unter: etac.com

Umfeld

- Stellen Sie sicher, dass die Oberfläche des Produktes eine angenehme Temperatur hat, bevor Sie den Benutzer hineinsetzen. Dies gilt insbesondere für Benutzer mit unempfindlicher Haut, da diese eine eventuelle Hitzeeinwirkung nicht spüren können. Wenn die Oberflächentemperatur mehr als 41 °C beträgt, lassen Sie das Produkt vor der Nutzung abkühlen
- Nutzen Sie das Produkt nur auf ebenen Untergrund ohne Hindernisse bzw. anderen Unebenheiten. Bitte beachten Sie die eingeschränkte Manövrierfähigkeit auf glattem Untergrund

Nutzer

- Wenn der Nutzer mit seinem Gewicht nah an der max. Belastbarkeit des Produktes ist und / oder er stärkere ungewollte Bewegungen hat, z.B. Spastiken, sollte überlegt werden, ob eine größere Größe des Produktes mit einem höheren Nutzergewicht oder ein anders R82 Produkte die bessere Wahl ist

Produkt

- Führen Sie alle Einstellung bzw. Anpassung der Zubehörteile zur Positionierung des Nutzers durch und überprüfen Sie, ob alle Schrauben, Handschrauben und Verschlüsse korrekt angezogen bzw. verriegelt sind, bevor das Produkt genutzt wird. Das Werkzeug darf sich nicht in der Reichweite des Nutzers befinden
- Betätigen Sie die Bremsen bevor der Nutzer im Produkt platziert wird
- Stellen Sie sicher, dass die Stabilität bzw. Standsicherheit des Produktes gewährleistet ist, bevor der Nutzer im Produkt platziert wird und die Bremsen
- Informieren Sie den Nutzer bevor Sie die Rücken- und / oder Sitzneigungen einstellen
- Stellen Sie sicher, dass die Laufrollen vor dem Gebrauch voll funktionsfähig und sicher sind
- Überprüfen Sie das Produkt bzw. die Zubehörteile und ersetzen Sie abgenutzte Teile, bevor das Produkt genutzt wird
- Setzen Sie die Gasfeder nicht dem Druck oder hohen Temperaturen aus. NICHT aufbohren
- Achten Sie darauf, dass die Kolbenstange nicht zerkratzt wird usw. Wenn die Gasfeder mit Hilfe von Werkzeugen eingestellt wird, muss unbedingt ein Tuch oder Ähnliches verwendet werden
- Dieses Produkt ist nicht für den Transport im Fahrzeug mit dem Nutzer geeignet. Der Nutzer muss in einem geeigneten Autositz gesichert sein und das Produkt gesichert im Gepäckraum transportiert werden
- Der Nutzer darf sich nicht in dem Produkt befinden, wenn er über eine Hebebühne, Lift oder Rampe in oder aus einem Fahrzeug steigt bzw. gesetzt wird

Serviceinformationen

Die Verantwortlichkeit für die Wartung des medizinischen Hilfsmittels bzw. Therapiegerätes liegt in der Verantwortung des Eigentümers bzw. Besitzers des Produktes. Die Nichteinhaltung der Wartungen bzw. der Wartungsintervalle gemäß dem Zeitplan der Bedienungsanleitung des Produktes kann das Erlöschen der Garantie dieses Produktes zur Folge haben. Weiterhin kann die Nichteinhaltung der Wartungen zu einer Beeinträchtigung der Funktionstüchtigkeit führen bzw. die Sicherheit des Nutzers und / oder der Pflegekraft bzw. Begleitperson gefährden.

Wenden Sie sich bei Bedarf an Ihren Händler vor Ort, wenn Sie Unterstützung bei der Einrichtung, Verwendung oder Wartung des Geräts benötigen.

1. Tag

- Lesen Sie die Anleitung sorgfältig vor dem Gebrauch des Produktes und bewahren Sie diese für die spätere Verwendung auf
- Verstauen Sie das Werkzeug auf/an dem Produkt

Täglich

- Benutzen Sie ein trockenes Tuch zur Reinigung
- Optische Inspektion. Defekte oder abgenutzte Teile müssen umgehend ersetzt oder repariert werden. Versichern Sie sich, dass alle Befestigungen an ihrem Platz sind
- Versichern Sie sich, dass alle Befestigungen an ihrem Platz sind
- Überprüfung der Gurte, Westen, Verschlüsse auf Verschleisspuren
- Achten Sie bei alle Einstellungen auf die MAX Angaben bzw. Kennzeichnungen

Wöchentlich

- Überprüfen Sie, dass sich alle Rollen einwandfrei drehen und dass alle Rollenbremsen bzw. Rollenfeststeller einwandfrei funktionieren
- Nutzen Sie ein Tuch mit warmen Wasser und ein mildes Reinigungsmittel, um Schmutz zu entfernen und das Produkt zu reinigen. Trockenen Sie das Produkt ab, bevor es wieder genutzt wird

Monatlich

- Alle Schrauben, Muttern und anderen Verriegelungen müssen regelmäßig überprüft und festgezogen werden, um ungewollten Fehlern vorzubeugen
- Ölen Sie die beweglichen Teile, wir empfehlen ein professionelles Schmiermittel

Jährlich

- Überprüfen Sie den Rahmen und die Rahmenteile auf Verschleiß bzw. Nutzen Sie niemals ein Produkt mit festgestellten Fehlern oder Mängeln. Lassen Sie min. einmal im Jahr die Inspektion durchführen

Reinigung in einer Spezialwaschmaschine

Dieses Produkt kann, z.B. für die Aufbereitung für den Wiedereinsatz, in einer speziellen Waschmaschine, die für Medizinprodukte geeignet ist, gereinigt und desinfiziert werden. Es kann hierzu 10 Minuten bei 60° mit einem milden handelsüblichen Reinigungs- bzw. Desinfektionsmittel gewaschen werden. Das Produkt vor der erneuten Verwendung trockenen lassen

Desinfektion

Das Produkt kann mit einer 70%igen Isopropanol-Desinfektionslösung desinfiziert werden. Es wird empfohlen, sämtliche am Produkt anhaftenden Rückstände und Schmutz mit einem Tuch mit warmem Wasser und einem milden Reinigungsmittel/einer milden Seife (chlorfreies Produkt) zu entfernen und das Produkt vor der Desinfektion trocken zu lassen.

Serviceintervalle

Eine umfassende Inspektion des Produktes muss alle 12 Monate durchgeführt werden (bei starker Beanspruchung bzw. schweren Nutzern alle 6 Monate) und zusätzlich jedes mal, wenn das Produkt für einen Nutzer verwendet wird.

Die Inspektion muss von einer technischen Fachkraft durchgeführt werden, die für dieses Produkt geschult worden ist. Bitte informieren Sie im Falle einer Reparatur ihren Fachhändler.

Service-Checkliste:

Die folgenden Funktionen auf ihre beabsichtigte Verwendung prüfen und einstellen: Beschädigte und verschlissene Teile reparieren und austauschen. Bitte Folgendes prüfen:

- Die Rahmenhöhe kann mithilfe der Spindel angepasst werden
- Gewind für krueur og bolte er i god stand
- Sitzflächeneinstellung. Die Sitzfläche kann eingestellt werden und behält die Einstellung anschließend bei.
- Die Gasfeder für die Sitzneigung ist korrekt eingestellt, und es ist möglich, die Sitzfläche in der gewählten Einstellung zu arretieren
- Die Rollen auf reibungslosen Lauf und dass alle Radsperren/-bremsen leicht aktiviert werden können.
- Dass Muttern und Schrauben am Produkt angezogen sind.
- Vorrichtungen und Schnallen auf verschlissene Teile
- Das Produkt auf Risse oder verschlissene Teile
- Dass alle Etiketten am Produkt intakt sind.

Reinigung

Waschen; Lösen Staub, Schmutz und Lebensmittelreste vor dem Waschen entfernen. Dabei besonders auf Räder und Bremsen achten. Gestell mit pH-neutraler Mischung aus warmen Wasser und scheuermittelfreiem Reinigungsmittel, Seifenlauge oder 70 prozentiger Desinfektionsmittellösung reinigen und anschließend trocknen lassen. Eine Liste geeignete Reinigungsmittel finden Sie auf <http://www.r82.de/hilfe>
Verwenden Sie für die Reinigung der Teile keinen Hochdruckreiniger.

Wiedereinsatz

Die Wartung und Beurteilung des Zustandes und gegebenenfalls der Wiedereinsatzbarkeit obliegt dem Fachhandel. Das Hygiene-System ist für den Wiedereinsatz geeignet. Für den Wiedereinsatz ist keine vorherige Demontage vorgesehen. Im Falle einer Lagerung ist es empfehlenswert, das Produkt zur Platzersparnis auf das kompakteste Maß einzustellen

Detaillierte Angaben zum Wiedereinsatz finden Sie in der Dokumentation Strong Base Wiedereinsatz unter <http://www.r82.de/hilfe>

NEDERLANDS

Wij waarderen uw keuze voor een nieuw product van R82 – een wereldwijde leverancier van technische hulpmiddelen en instrumenten voor hulpbehoevende kinderen en volwassenen. Lees deze Gebruikershandleiding voorafgaande aan het gebruik goed door, zodat u volledig kunt profiteren van de opties die door dit product worden aangeboden. Bewaar de Gebruikershandleiding voor toekomstige referentie.

Bestemming

Het instrument is een frame voor zitsystemen voor kinderen en volwassenen met een handicap.

Indicaties

Het instrument wordt gebruikt in combinatie met een zitsysteem (d.w.z. een modulair zitsysteem zoals de R82x:panda of R82 Panda Futura). Het kan worden gebruikt door kinderen en volwassenen met een handicap, die niet in staat zijn om een zittende positie te handhaven en zich zonder hulpmiddel te verplaatsen (binnen de kamer of tussen kamers / buiten). De doelgroep voor het instrument is gebaseerd op functioneel vermogen en antropometrie. Het is niet gebaseerd op een specifieke gezondheidstoestand of leeftijd.

De gebruiker is de persoon in de stoel die met het frame wordt gebruikt. De zorgverlener is de persoon die het frame bedient. Laat de gebruiker nooit zonder toezicht in dit product achter. Zorg dat de zorgverlener permanent toezicht houdt. Het gebruik van het instrument wordt in de loop van de dag meerdere keren stopgezet, wanneer de gebruiker ligt, staat of zit in een ander hulpmiddel of een conventioneel product.

Contra-indicaties

Er zijn geen contra-indicaties bekend

Voorzorgsmaatregelen

Er zijn geen voorzorgsmaatregelen bekend

Toepassingsgebieden

Het product is bedoeld voor gebruik binnenshuis.



Verklaring van overeenstemming

Dit product voldoet aan de vereisten van de Verordening medische hulpmiddelen (2017/45). Het CE-keurmerk moet worden verwijderd bij reconstructie van het product, wanneer het wordt gebruikt in combinatie met een product van een andere fabrikant of wanneer er andere dan originele R82-reserveonderdelen en -bevestigingen worden gebruikt. Verder voldoet dit product aan de vereisten conform:

- EN 12182

De CE-markering moet worden verwijderd als:

- er veranderingen aan het product worden aangebracht;
- het product voor iets anders wordt gebruikt dan het beoogde doel en de conformiteitsverklaring
- niet de originele R82-reserveonderdelen en -fittingen worden gebruikt.

Als het hulpmiddel met andere producten wordt gecombineerd, mag deze combinatie het beoogde doel van de producten niet veranderen of de producten zodanig wijzigen dat niet kan worden gegarandeerd dat de combinatie aan de toepasselijke vereisten voldoet. De persoon die/het bedrijf dat verantwoordelijk is voor de combinatie van de producten moet ervoor zorgen dat aan de toepasselijke vereisten wordt voldaan.

Voorbeelden van toepasselijke vereisten:

- uitlijning van gebruikersgewicht/massa van de gecombineerde zitting en onderstel, goedkeuring voor vervoer van beide producten in voertuigen (ISO16840-4 voor de zitting en ISO7176-19 voor het onderstel);
- materiaalveiligheid (biocompatibiliteit, ontvlambaarheid), veiligheid mechaniek (stabiliteit, klemgevaar, onderlinge verbinding), elektrische veiligheid.



Recycle informatie

Wanneer een voorziening het einde van haar levensduur bereikt, dient het te worden gescheiden op verschillende materialen, zodat de onderdelen kunnen worden gerecycled of op een juiste wijze kunnen worden afgevoerd. Neem, indien nodig, contact op met de importeur voor een nauwkeurige beschrijving van elk materiaal.

Accessoires en reserve onderdelen

De voorzieningen van R82 kunnen worden uitgerust met diverse accessoires, die voldoen aan de behoefte van het kind/de tiener. Vervangende-onderdelen zijn beschikbaar op aanvraag. De specifieke accessoires vindt u op onze website. Neem contact op met uw dealer voor meer informatie.

R82 Garantie

R82 biedt 2 jaar garantie op gebreken in uitvoering en materialen en 5 jaar garantie op framebreuk veroorzaakt door lasfouten. De garantie kan nadelig worden beïnvloed, indien de dealer of ouders zijn/haar verantwoordelijkheid niet neemt ten aanzien van servicebeurten en/of dagelijks onderhoud conform de door R82 voorgeschreven en/of in de User Guide aangegeven richtlijnen en intervallen. Voor meer informatie verwijzen we naar de website van etac onder de rubriek; Service > download.

De levensduur van deze voorziening bij normaal gebruik is 8 jaar, indien al het onderhoud wordt uitgevoerd in overeenstemming met instructies van de fabrikant en aantoonbaar zijn vastgelegd. Het hulpmiddel kan binnen zijn levensduur worden teruggegeven

De garantie geldt alleen in het land waar het product is gekocht, en als de voorziening kan worden geïdentificeerd aan de hand van het serienummer. De garantie dekt geen schade door ongevallen, met inbegrip van schade veroorzaakt door onjuist gebruik of onachtzaamheid. De garantie heeft geen betrekking op gebruiksonderdelen zoals bijvoorbeeld banden en bekleding welke onderhevig zijn aan normale slijtage en op gezette tijden moeten worden vervangen.

Deze garantie vervalt indien andere dan niet-originele onderdelen/accessoires worden gebruikt of als het product niet is onderhouden, gerepareerd of gewijzigd volgens de richtlijnen en intervallen die door de leverancier worden voorgeschreven en/of worden vermeld in de gebruikershandleiding (User Guide). R82 behoudt zich het recht voor om de voorziening waarvoor een claim wordt ingediend inclusief de bijbehorende documentatie te onderzoeken alvorens de garantie claim te honoreren en/of te besluiten de defecte voorziening, accessoire of het onderdeel te vervangen of te repareren. De dealer dient het betreffende onderdeel waarvoor een claim wordt ingediend op te sturen naar het adres waar hij het heeft aangeschaft.

Voorverkoopinformatie

- www.etac.com

Veiligheid

De op deze voorziening aangebrachte stickers, aanduidingen en instructies mogen nooit afgedekt of verwijderd worden en moeten gedurende de gehele levensduur van de voorziening op hun plek blijven zitten en duidelijk leesbaar zijn. Vervang of herstel onleesbare of beschadigde stickers, aanduidingen en instructies onmiddellijk. Neem contact op met de importeur voor instructies.

In geval van een ongewenste gebeurtenis met betrekking tot het apparaat, moeten incidenten tijdig worden gemeld aan uw lokale dealer en de nationale bevoegde autoriteit. De lokale dealer stuurt de informatie door naar de fabrikant.

Ouder/verzorgende

- Lees alle instructies en User Guide aandachtig door voor gebruik en bewaar deze als naslagwerk. Onjuist gebruik van deze voorziening kan leiden tot ernstig letsel aan het kind/de tiener
- Dit product bevat kleine onderdelen die ingeslikt kunnen worden. Verstikkingsgevaar als ze worden verwijderd van hun oorspronkelijke plaats
- Gebruik altijd de juiste tiltechnieken en hulpmiddelen
- Laat de gebruiker nooit zonder toezicht in dit product achter. Zorg dat een zorgverlener permanent toezicht houdt
- Reparaties/vervangingen mogen alleen worden gedaan met behulp van nieuwe originele R82-reserve-onderdelen en accessoires en volgens de richtlijnen en intervallen voorgeschreven door R82
- In geval van twijfel over het veilig kunnen gebruiken van uw voorziening of als er onderdelen niet juist functioneren, raden wij u aan om de voorziening niet langer te gebruiken en zo spoedig mogelijk contact op te nemen met uw dealer
- Let op dat er geen lichaamsdelen in de bewegende delen bekneld raken terwijl u die afstelt
- Zorg ervoor dat er geen lichaamsdelen vastzitten in openingen voor de montage van steunen/accessoires.
- Informatie over frame- en zittingcombinaties, waaronder de maximale belasting van een combinatie, vindt u op: etac.com

Omgeving

- Controleer de temperatuur van het oppervlak van het product voordat u een gebruiker erin laat plaatsnemen. Dit geldt met name voor gebruikers met een gevoelloze huid, omdat zij geen warmte kunnen voelen. Laat het product voor gebruik afkoelen als het oppervlak warmer is dan 41 °C
- Gebruik deze voorziening op een vlakke ondergrond zonder obstakels. Wees bedacht op een verminderde manoeuvreerbaarheid op gladde wegen

Kind/tiener

- Als het kind/de tiener tegen het maximale gewicht aan zit en/of veel ongecontroleerde bewegingen maakt, dient u te overwegen om over te stappen op een grotere maat, met een hogere maximale belasting of te kiezen voor een andere voorziening

De voorziening

- Voer voor het eerste gebruik alle in/verstellingen uit aan de voorziening en accessoires en zorg ervoor dat alle knoppen, schroeven en gespen goed vastzitten. Houd alle gereedschappen buiten bereik van kinderen
- Activeer (wanneer aanwezig) de remmen voordat het kind/de tiener in de voorziening wordt geplaatst
- Controleer of de voorziening stabiel staat alvorens het kind/de tiener in de voorziening te plaatsen
- Wij raden aan om het kind te waarschuwen alvorens u de kantelverstelling en/of rughoekverstelling versted
- Zorg vóór gebruik dat de zwenkwielen volledig functioneel en veilig zijn
- Inspecteer de voorziening en alle accessoires regelmatig en vervang defecte/versleten onderdelen voor gebruik
- Stel de gasveer niet bloot aan druk en hoge temperaturen. DO niet doorboren.
- Zorg dat de "zuigerstang" niet wordt blootgesteld aan krassen. Gebruik bij voorkeur een (zachte) doek en geen scherp gereedschap voor het bijstellen van de gasveer
- Deze voorziening mag niet gebruikt worden in een motorvoertuig. Het kind/de tiener dient plaats te nemen in een autostoel en de voorziening dient te worden opgeborgen in de bagageruimte
- Het kind/de tiener dient niet gebruikt te maken van de voorziening wanneer het in/uit het voertuig wordt getild met behulp van een liftplatform

Onderhoudsinformatie

Het onderhoud van de voorziening is geheel en al de taak van de bezitter van het hulpmiddel. Als een hulpmiddel niet volgens de instructies wordt onderhouden, kan dat de garantie op het hulpmiddel ongeldig maken. Verder kan het niet-onderhouden van een hulpmiddel de klinische toestand of veiligheid van het kind en/of de begeleider in gevaar brengen.

Neem indien nodig contact op met uw plaatselijke dealer voor hulp bij het instellen, gebruiken of onderhouden van het product.

Vóór 1e gebruik

- Lees vóór gebruik van de voorziening de User Guide goed door en bewaar deze op een veilige plek als naslagwerk
- Stop het meegeleverde gereedschap in het opbergtasje aan het frame

Dagelijks

- Gebruik een droge doek om de voorziening te reinigen
- Visuele inspectie: herstel of vervang beschadigde of versleten onderdelen
- Controleer of alle fixaties aanwezig zijn en correct zijn aangebracht
- Controleer alle fixaties en gespen op tekenen van slijtage van onderdelen
- Let op eventuele maximaaanduidingen voordat u een in/verstelling gaat verrichten

Wekelijks

- Controleer (wanneer aanwezig) of alle zwenkwielen vrij kunnen bewegen en of alle wielvergrendelingen en remmen makkelijk kunnen worden geactiveerd
- Veeg resten en vuil weg met een doek die is uitgewrongen in warm water met een mild reinigingsmiddel/milde zeep zonder chloor, en maak het product voor gebruik droog

Maandelijks

- Alle moeren, bouten en knoppen van deze voorziening moeten worden gecontroleerd en aangedraaid om losraken te voorkomen
- Doe wat smeermiddel op de wegzwenkbare onderdelen. We raden aan een professioneel smeermiddel te gebruiken

Jaarlijks

- Inspecteer het frame op scheuren en werk de servicechecklist af. Gebruik nooit een voorziening welke gebreken vertoont. Raadpleeg de servicechecklist

Hulpmiddelen wasmachine

Dit product kan gedurende 10 minuten op 60 ° in een wasmachine voor medische hulpmiddelen schoongemaakt worden. Gebruikmakend van een mild schoonmaakmiddel of desinfectie schoonmaakmiddel zonder chloor. Laat het product drogen voor hergebruik.

Desinfectie

Het product kan worden gedesinfecteerd met een ontsmettingsmiddel met isopropylalcohol 70%. Het wordt aanbevolen om eventuele resten en vuil met een doek en warm water met een mild(e) wasmiddel/zeep zonder chloor van het product te verwijderen en het product te laten drogen voordat u gaat desinfecteren.

Service-interval

Elke 12 maanden dient de voorziening een gedetailleerde inspectie te ondergaan. (bij intensief gebruik elke 6 maanden) en elke keer wanneer de voorziening wordt herverstrekt. De inspectie moet worden uitgevoerd door een technisch bevoegd persoon, die is opgeleid in het onderhoud van de voorziening. Neem contact op met uw lokale dealer voor reparatie instructies.

Onderhoudschecklist:

Controleer de volgende functies op de beoogde werking en stel af waar nodig. Repareer of vervang beschadigde of versleten onderdelen. Controleer:

- Controleer of de framehoogte met behulp van de spindel kan worden afgesteld
- Controleer of de schroefdraden voor de bevestigingsmiddelen in goede staat verkeren
- Controleer de afstelling van het zitvlak. Het zitvlak is verstelbaar en blijft daarna in die positie staan.
- Controleer of de gasveer voor kantelverstelling goed is afgesteld en of het mogelijk is om het zitvlak in positie te vergrendelen
- Controleer of de zwenkwielen vrij kunnen bewegen en alle wielvergrendelingen/-remmen gemakkelijk in te schakelen zijn
- Controleer of moeren en bouten op het product zijn aangehaald
- Controleer bevestigingen en gespen op tekenen van slijtage aan de onderdelen
- Controleer het product op scheuren of tekenen van slijtage aan de onderdelen
- Controleer of alle etiketten op het product intact zijn

DANSK

Tillykke med dit nye produkt fra R82 - en af verdens førende leverandører af hjælpemidler til børn og voksne med særlige behov. For at få fuldt udbytte af de muligheder, produktet tilbyder, anbefaler vi, at du læser denne brugervejledning før brug og gemmer den til fremtidig reference.

Formål

Produktet er et stel til sidde-systemer til børn og voksne med funktionsnedsættelser.

Indikationer

Produktet bruges sammen med et sidde-system (dvs. et modulært sidde-system som f.eks. R82 x:panda eller R82 Panda Futura). Det kan bruges af børn og voksne med funktionsnedsættelser, som ikke kan sidde ned og bevæge sig rundt (i et lokale eller mellem lokaler eller udendørs) uden hjælpemidler. Produktets målgruppe er baseret på funktionsevne og antropometri. Den er ikke baseret på særlige lidelser eller aldersgrupper.

Brugeren er den person, der sidder i sædet, som bruges med stellet. Hjælperen er den person, der betjener stellet. Efterlad aldrig brugeren uden opsyn i dette produkt. Der skal altid være en hjælper til stede, som holder opsyn. Produktet bruges periodisk i løbet af dagen, når brugeren ikke ligger ned, står eller sidder i et andet hjælpemiddel eller almindeligt produkt.

Kontraindikationer

Der er ingen kendte kontraindikationer

Forholdsregler

Der er ingen kendte forholdsregler

Anvendelsesområder

Produktet er til indendørs brug



Overensstemmelseserklæring

Dette produkt opfylder kravene i regulativet 2017/745, retningslinjer for medicinsk udstyr. CE-mærket skal fjernes ved ombygning af produktet, når det kombineres med et produkt fra en anden fabrikant eller ved anvendelse af andet end originale R82 reservedele og tilbehør. Dette produkt overholder endvidere kravene i henhold til:

- EN 12182
- CE-mærket skal fjernes ved:
 - Ombygning af produktet
 - Brug af produktet til andet end det tilsigtede formål og ikke ifølge overensstemmelseserklæringen
 - Brug af andre reservedele og fittings end originale R82

Når produktet kombineres med andre produkter, må kombinationen ikke ændre produkternes tilsigtede formål eller ændre produkterne på en sådan måde, at overholdelsen af de gældende krav påvirkes. Den person/virksomhed, der er ansvarlig for kombinationen af produkterne, skal sikre, at de gældende krav er opfyldt.

Eksempler på gældende krav:

- Justering af brugervægt/-masse af kombinationen af sæde og basis, godkendelse til transport i køretøjer af begge produkter (ISO16840-4 for sæde og ISO7176-19 for basis)

- Materiale-sikkerhed (biokompatibilitet, brændbarhed), mekanisk sikkerhed (stabilitet, fare for klemning, sammenkobling), elektrisk sikkerhed



Bortskaffelse

Når et produkt når slutningen af sin livscyklus, bør det skilles ad, så de forskellige materialetyper kan genanvendes eller bortskaffes korrekt. Kontakt din lokale forhandler, hvis der er behov for en præcis beskrivelse af hvert materiale. Kontakt venligst de lokale myndigheder for mulighederne om miljøvenlig genanvendelse eller bortskaffelse i dit område.

Tilbehør og reservedele

Produkterne fra R82 kan forsynes med forskelligt tilbehør, som gør at produktet opfylder den enkelte brugers behov for støtte. Tilbehør og reservedele findes på vores hjemmeside, kontakt din lokale forhandler for yderligere information.

R82 Garanti

R82 yder 2 års garanti mod fejl i materialer og fejl opstået ved fremstillingen af produktet, samt 5 års garanti på stelbrud forårsaget af defekte svejsninger i metalstellet. Garantien vil være under forbehold af kundens ansvar for at overholde serviceeftersyn og vedligehold af produktet med de intervaller, som foreskrives af leverandøren og/eller angivet i User Guide. For yderligere information henvises der til etac.com

Levetiden for dette produkt er 8 år ved normal brug og hvis al vedligeholdelse og service udføres i overensstemmelse med producentens anvisninger samt påviseligt registreres. Produktet kan blive istandsat og genanvendt til en anden bruger inden for sin levetid

Garantien ydes kun i det land hvor produktet er blevet købt, og hvis produktet kan identificeres ved hjælp af serienummeret. Garantien dækker ikke hændelig skade, herunder skade forårsaget af fejlagtig anvendelse eller forsømmelse. Garantien omfatter ikke forbrugsvare f.eks. dæk eller polstring, som er genstand for normal slitage, og som skal udskiftes regelmæssigt.

Garantien dækker ikke, hvis der er anvendt andet end originale dele/tilbehør, eller hvis produktet ikke er vedligeholdt, repareret eller ændret i henhold til retningslinjer og intervaller angivet af leverandøren og/eller i User Guide. R82 forbeholder sig ret til at undersøge produktet, som er genstand for reklamation og den relevante dokumentation, før reklamationen accepteres under garanti, samt bestemme hvorvidt reklamationen skal føre til erstatning eller reparation af produktet. Det er kundens ansvar at returnere det reklamerede produkt under garanti til den adresse, hvor det er blevet købt.

Oplysninger om forsalg

- www.etac.com

Sikkerhed

Skilte, symboler og instruktioner placeret på dette produkt må aldrig blive dækket eller fjernet, og skal være læselige i hele produktets levetid. Ulæselige eller beskadigede tegn, symboler og instruktioner skal straks erstattes eller repareres. Kontakt din lokale forhandler for vejledning.

I tilfælde af at der opstår en negative hændelse i forbindelse med enheden rettes henvendelse til den lokale forhandler og den nationale kompetente myndighed på rettidig måde. Den lokale forhandler vil viderebringe informationen til producenten.

Hjælper

- Denne User Guide bør læses omhyggeligt før brug og gemmes til fremtidig reference. Brugerens sikkerhed kan afhænge af, at anvisningerne i denne vejledning følges og at produktet anvendes korrekt
- Dette produkt indeholder små dele som kan udgøre kvælningssfare hvis de fjernes fra deres tiltænkte placering
- Brug altid korrekt løfteteknik og hjælpemidler til formålet
- Efterlad aldrig brugeren uden opsyn i dette produkt. Der skal altid være en hjælper til stede, som holder opsyn.
- Reparation/udskiftning må kun ske ved hjælp af nye originale R82 reservedele og tilbehør samt i overensstemmelse med leverandørens anvisninger
- Hvis der er tvivl om sikkerheden ved brug af dit R82 produkt, eller hvis dele skulle svigte, skal du omgående stoppe med at bruge produktet og kontakte din lokale forhandler
- Sørg for at bevægelige dele ikke klemmer eller indfanger kropsdele Når du justerer dem
- Sørg for, at kropsdele ikke fastklemmes i åbninger til montering af tilbehør.
- Oplysninger om ramme- og sædekombinationer, herunder maks. belastning i kombination, kan findes på: etac.com

Omgivelserne

- Check overfladetemperaturen på produktet, før du placerer en bruger i det. Dette gælder især for brugere med ufølsom hud, da de ikke kan mærke varmen. Hvis produktets overfladetemperaturen er over 41 ° C, så skal produktet køle af før brug
- Brug dette produkt på plane flader uden forhindringer. Vær opmærksom på reduceret manøvrerdygtighed på glatteoverflader.

Bruger

- Hvis brugeren er tæt på maks. belastningen og/eller har mange ufrivillige bevægelser f.eks. rokkende, bør et produkt med større maks. belastning, eller et andet R82 produkt overvejes.

Produkt

- Efter enhver justering på produkt og tilbehør skal det sikres, at alle knapper, skruer og spænder er sikkerhedsmæssigt fastspændt før brug. Hold alle værktøjer utilgængelig for børn
- Bremsen skal aktiveres, før brugeren placeres
- Stabiliteten af produktet skal sikres, før brugeren placeres i det
- Vi anbefaler, at brugeren adviseres før vinkling af sæde og ryg
- Sørg for at hjul er fuldt funktionelle og sikre før brug
- Undersøg produktet og alt tilbehør og udskift evt. slidte dele før brug
- Gasfjederen må ikke punkteres eller udsættes for høje temperaturer
- Stempelstangen må ikke skrammes. Det er vigtigt at bruge en klud eller lign. som beskyttelse, hvis der bruges værktøj til justering af gasfjederen
- Dette produkt må ikke anvendes i et motorkøretøj. Brugeren skal være placeret i et køretøjssæde og produktet skal opbevares i bagagerummet
- Brugeren må ikke opholde sig i produktet mens det, ved hjælp af en læsebagsmæk, bliver transporteret ind i eller ud af et motorkøretøj

Service information

Vedligeholdelse af medicinsk udstyr påhviler helt og holdent ejeren af det pågældende produkt. Undladelse af at vedligeholde et produkt i henhold til vejledningen kan medføre, at garantien bortfalder. Desuden kan undladelse påvirke den kliniske tilstand eller sikkerhed for brugeren og/eller plejeren.

Kontakt om nødvendigt den lokale forhandler for at få hjælp til opsætning, brug eller vedligeholdelse af produktet.

1. dag

- Instruktionerne i denne User Guide bør læses omhyggeligt før brug og gemmes til fremtidig reference
- Opbevar det medfølgende værktøj på/ved produktet

Dagligt

- Brug en tør klud til at rengøre produktet
- Visuel inspektion. Reparer eller udskift beskadigede eller slidte dele
- Kontroller at alt udstyr er på plads og monteret korrekt
- Tjek alle seler, veste og spænder for tegn på slitage. Udskift hvis nødvendigt
- Vær opmærksom på evt. MAX-mærker før justering

Ugentligt

- Kontroller at alle hjul bevæger sig frit, og at alle låse/bremser let kan aktiveres
- Brug en klud med varmt vand og et mildt rengøringsmiddel til at aftørre snavs og skidt fra produktet. Tør efter med en tør klud

Månedligt

- For at undgå fejl skal alle møtrikker og bolte på dette produkt kontrolleres og efterspændes
- Alle svingbare dele skal tilføjes smøremiddel. Vi anbefaler at bruge et professionelt smøremiddel

Årligt

- Efterse stellet for synlige brud eller tegn på slitage. Brug aldrig et produkt, der viser tegn på fejl. Udfør årlig service

Vaskemaskine

Dette produkt kan vaskes i 10 minutter ved 60°, med et mildt rengørings- eller desinfektionsmiddel uden klor, i en maskine beregnet til medicinsk udstyr. Lad produktet tørre, før det bruges igen.

Desinfektion

Produktet kan desinficeres med en desinficerende 70 % IPA-opløsning. Det anbefales at aftørre produktet og fjerne eventuelle rester og snavs med en klud med varmt vand og et mildt rengøringsmiddel/sæbe uden klorin, og lad det tørre før desinficering.

Service interval

En detaljeret inspektion af produktet skal ske hver 12. måned (hver 6. måned for tunge brugere), samt hver gang produktet overdrages til en ny bruger. Inspektionen skal udføres af en teknisk kompetent person, der er uddannet i brugen af produktet.

Service tjekliste:

Efterse og tilpas følgende funktioner i henhold til deres beregnede anvendelse. Reparér eller udskift beskadigede eller slidte dele. Følgende skal efterses:

- Rammens højde kan justeres ved hjælp af spindlen
- Gevind for skruer og bolte er i god stand
- Sædeplanet kan justeres og forbliver i position efter justering.
- Gas fjeder er justeret korrekt og det er muligt at låse sæde tilt i position
- Styrehjulene skal kunne bevæge sig frit, og alle hjullåse/bremser skal være lette at aktivere
- Møtrikker og bolte på produktet er spændt
- Beslag og spænder for tegn på slidte dele
- Produktet kontrolleres for revner eller tegn på slidte dele
- Alle mærkater på produktet er intakte

NORSK

Vi setter pris på at du velger et nytt produkt fra R82 - verdensomfattende leverandør av tekniske hjelpemidler og anordninger for barn og voksne med spesielle behov. Les bruksanvisningen før bruk for å få maksimal nytte av alle mulighetene som dette produktet gir, og ta vare på bruksanvisningen for senere bruk.



Tiltenkt bruk

Enheten er en ramme for setesystemer til barn og voksne med nedsatt funksjonsevne.

Indikasjoner

Enheten brukes sammen med et setesystem (dvs. et modulært setesystem som R82 x:panda eller R82 Panda Futura). Kan brukes av barn og voksne med nedsatt funksjonsevne, som ikke klarer å holde seg i sittende stilling og bevege seg rundt (i rommet eller mellom rom/utendørs) uten hjelpemiddel. Målgruppen for enheten er basert på funksjonsevne og antropometri. Det er ikke basert på spesifikke helsestatus eller alder.

Brukeren er personen som sitter i setet som brukes sammen med rammen. Omsorgsperson er personen som betjener rammen. La aldri brukeren være uten tilsyn i dette produktet. Sørg for permanent tilsyn av en omsorgsperson. Bruk av enheten vil bli avbrutt flere ganger i løpet av dagen hvor brukeren vil ligge, stå eller sitte i et annet hjelpemiddel eller et konvensjonelt produkt.

Kontraindikasjoner

Det er ingen kjente kontraindikasjoner

Forholdsregler

Det finnes ingen kjente forholdsregler

Bruksområder

Produktet er ment for bruk innendørs



Samsvarserklæring

Ette produktet samsvarer med kravene i forordningen for medisinsk utstyr (2017/745). CE-merket skal fjernes ved ombygging av produktet, hvis det brukes i kombinasjon med et produkt fra en annen produsent, eller ved bruk av andre reservedeler og utstyr enn originalt R82-utstyr. Dette produktet samsvarer også med kravene i:

- EN 12182

CE-merket må fjernes når:

- Produktet bygges om
- Produktet brukes til noe annet enn det tiltenkte formålet og samsvarserklæringen
- Det benyttes andre reservedeler og koblinger enn originale R82

Kombinert med andre produkter må kombinasjonen ikke endre det tiltenkte formålet for produktene eller modifisere produktene på en slik måte at samsvar med gjeldende krav påvirkes. Vedkommende som er ansvarlig for kombinasjonen av produktene, må påse at gjeldende krav oppfylles.

Eksempler på gjeldende krav:

- Tilpasning etter brukervekt/volum for kombinert sete og base, godkjenning for transport i kjøretøy for begge produkter (ISO16840-4 for sete og ISO7176-19 for base)
- Materialsikkerhet (biokompatibilitet, brennbarhet), mekanisk sikkerhet (stabilitet, klemfare, innbyrdes tilkobling), elektrisk sikkerhet

Resirkuleringsinformasjon

Når et produkt skal kasseres, bør materialene inndeles etter type, slik at delene kan resirkuleres eller avhendes på en forskriftsmessig måte. Hvis nødvendig, ta kontakt med din lokale forhandler for en presis beskrivelse av hvert materiale. Ta kontakt med lokale myndigheter vedrørende muligheter for resirkulering, eller en annen miljøvennlig måte å avhende et brukt produkt på.

Tilbehør og reservedeler

Produkter fra R82 kan leveres med en rekke tilbehør som tilfredsstiller den enkelte brukers behov. Reservedeler er tilgjengelige, og bestilles på kundens forespørsel. Finn det spesifikke tilbehør på vår hjemmeside, eller kontakt din lokale forhandler for ytterligere informasjon.

R82 Garanti

R82 gir en 2 års garanti mot feil i utførelse og materialer og en 5 års garanti mot brudd i metallrammen som skyldes feil i sveisearbeidet. Garantien kan påvirkes negativt hvis kundens ansvar for å utføre service og/eller daglig vedlikehold ikke blir overholdt i samsvar med de retningslinjene og intervallene som er foreskrevet av leverandøren og/eller slik det framgår av User Guide. For ytterligere informasjon henviser vi til hjemmesiden for etac under nedlasteringer.

Produktets levetid ved normal bruk er 8 år, hvis alt vedlikehold og service utføres i henhold til produsentens anvisninger, og kan dokumenteres. Enheten kan gjenbrukes i løpet av levetiden.

Garantien er bare gyldig i landet der produktet ble kjøpt, og hvis produktet kan identifiseres med serienummeret. Garantien dekker ikke tilfeldig skade, inkludert skade forårsaket ved feil bruk eller forsømmelse. Garantien omfatter ikke slitedeler f.eks. dekk eller polstring, som er utsatt for normal slitasje, og som skal –skiftes regelmessig.

Garantien anses som ugyldig hvis andre enn originale deler/tilbehør er brukt, eller hvis produktet ikke har vært vedlikeholdt, reparert eller endret i samsvar med retningslinjene og intervallene som er foreskrevet av leverandøren og/eller oppgitt i User Guide. R82 forbeholder seg retten til å inspisere det produkt som det er kommet klage på, samt relevant dokumentasjon, før garantikravet aksepteres, og for å avgjøre om det defekte produktet kan bli erstattet eller reparert. Det er kundens ansvar å returnere varen som skal repareres i garantitiden til adressen hvor det er kjøpt.

Informasjon for salg

- www.etac.com

Sikkerhet

Merker, symboler og instruksjoner som er plassert på dette produktet skal aldri tildekkes eller fjernes, og må være til stede og lett leselige i hele produktets levetid. Uleselige eller skadede merker, symboler og instruksjoner skal erstattes eller repareres umiddelbart. Kontakt din lokale forhandler for å få instruksjoner.

Hvis det skulle oppstå en negativ hendelse knyttet til enheten, skal hendelsen rapporteres til din lokale forhandler og de nasjonale kompetente myndighetene så raskt som mulig. Den lokale forhandleren vil videresende informasjonen til produsenten.

Omsorgsperson

- Les bruksanvisningen nøye før bruk, og oppbevar den for fremtidig referanse. Feil bruk av dette produktet kan forårsake alvorlig skade på brukeren
- Dette produktet inneholder små deler som kan utgjøre kvelningsfare hvis de fjernes fra sin tiltenkte plassering
- Bruk alltid riktig løfteteknikk og hjelpemidler for formålet
- La aldri brukeren være uten tilsyn i dette utstyret. Pleieren må kunne overvåke kontinuerlig
- Reaparasjon/utskifting må kun foretas ved hjelp av nye originale R82 reservedeler og beslag og utføres i samsvar med retningslinjene og serviceintervallene som er foreskrevet av leverandøren
- Hvis du er i tvil til om at produktet er trygt å bruke, eller om noen av delene skulle svikke, skal bruk av produktet opphøre umiddelbart. Kontakt din lokale forhandler så snart som mulig
- Pass på at bevegelige deler ikke klemmer eller klyper kroppsdeler når de justeres
- Pass på at ingen kroppsdeler setter seg fast i åpningsene for montering av støtteenheter/tilbehør.
- Informasjon om kombinasjoner av ramme og sete, inkludert maks kombinert belastning er tilgjengelig på: etac.com

Miljø

- Kontroller overflatetemperaturen på produktet før brukeren plasseres i det. Dette gjelder spesielt brukere med ufølsom hud, fordi de ikke kan føle varmen. Hvis overflatetemperaturen er høyere enn 41 °C, må produktet kjøles ned før bruk
- Bruk dette produktet på jevnt underlag uten hindringer. Vær oppmerksom på redusert manøvringsvevne på glatt underlag

Bruker

- Dersom brukerens vekt er nær anbefalt maks-vekt, og / eller har mange ukontrollerte bevegelser som f.eks. røkking, bør et produkt i en større størrelse med høyere maks-vekt, eller et annet R82 produkt, vurderes

Produkt

- Utfør alle posisjonelle justeringer på produkt og tilbehør, og sørg for at alle knotter, skruer og spennere er godt festet før bruk. Oppbevar alt verktøy utliggjengelig for barn
- Aktiver bremsene før brukeren plasseres i produktet
- Påse at stabiliteten av produktet opprettholdes før du plasserer brukeren i det
- Vi anbefaler at brukeren informeres før vinkling av sete og rygg utføres
- Kontroller at svinghjulene fungerer som de skal og er sikre før bruk
- Kontrollerer produkt og alt tilbehør, og erstatt eventuelle utslitte deler før bruk
- Ikke utsett gassfjæren for trykk eller høye temperaturer. MÅ IKKE perforeres. (gjennomhulles)
- Stempelstangen må ikke skades. Det er viktig å bruke en klut eller lignende som beskyttelse, når det brukes verktøy ved justering av gassfjæren
- Dette produktet skal ikke brukes i kjøretøy. Brukeren skal være plassert i et bilsete, og produkt skal være stuet i bagasjerommet
- Brukeren skal ikke sitte i produktet mens det blir flyttet inn i eller ut av et kjøretøy på en løfterampe.

Serviceinformasjon

Vedlikehold av medisinsk utstyr er eierens ansvar. Hvis det er mangelfullt vedlikehold av produktet i henhold til bruksanvisningen, kan dette ugyldiggjøre garantier knyttet til produktet. Ytterligere unnlatelse av vedlikeholdet kan påvirke den kliniske tilstanden eller sikkerheten for brukere og / eller deres omsorgspersoner.

Kontakt om nødvendig den lokale forhandleren for å få hjelp til å klargjøre, bruke eller vedlikeholde produktet.

1. dag

- Les bruksanvisningen nøye før bruk og oppbevar den på et trygt sted for fremtidig referanse
- Oppbevar det vedlagte verktøyet i posen på rammen

Daglig

- Bruk en tørr klut til å rengjøre produktet
- Visuell inspeksjon. Reparer eller bytt skadede eller slitte deler
- Pass på at alt utstyr er på plass og korrekt montert
- Kontroller alt utstyr og spenner for tegn på utslitte deler
- Vær oppmerksom på eventuelle MAX merker før justering

Ukentlig

- Sjekk at alle hjulene beveger seg fritt og at alle hjul- låser / bremses lett kan aktiveres
- Tørk av rester og smuss på produktet med en klut som er vridd opp i varmt vann og mildt vaskemiddel/såpe uten klor, og tørk produktet før bruk

Månedlig

- Alle muttere og bolter på dette produktet må kontrolleres og strammes for å unngå unødvendige feil
- De utsvingbare delene skal oljes. Vi anbefaler å bruke et profesjonelt smøremiddel

Årlig

- Kontroller rammen for synlige brudd eller tegn på slitasje. Bruk aldri et produkt som viser tegn på feil. Gjennomfør årlig service

Rengjøring

Dette produktet kan vaskes i 10 minutter på 60° i vaskemaskin beregnet for vask av medisinsk utstyr, ved bruk av mildt vaskemiddel eller desinfeksjonsmiddel uten klorin. Det er viktig å la utstyret tørke ordentlig før bruk.

Desinfeksjon

Produktet kan desinfiseres med en 70 % desinfiserende IPA-løsning. Det anbefales å tørke av rester og smuss på produktet med en klut med varmt vann og mildt vaskemiddel/såpe uten klor, og la produktet tørke før bruk

Service-intervall

En grundig kontroll av produktet skal gjøres hver 12 måned (for tunge brukere: hver 6 måneder) og hver gang produktet tas i bruk på nytt. Kontrollen skal gjennomføres av en teknisk kompetent person som har fått opplæring i bruk av produktet. Kontakt din lokale leverandør for instruksjon om reparasjoner.

Sjekkliste for service:

Kontroller og juster følgende funksjoner i henhold til deres tiltenkte bruk. Reparer eller skift ut skadede eller slitte deler. Kontroller:

- Rammehøyden kan justeres med spindelen
- Gjengene for festeinnretninger er i god stand
- Justering av seteplanet. Seteplanet er justerbart, og blir stående på plass etter justering.
- Gassfjæren for setevinkel er riktig justert, og det er mulig å låse seteplanet på plass
- Hjulene beveger seg fritt, og alle låser/bremses lett kan aktiveres
- Muttere og bolter på produktet er strammet
- Fester og spenner med tanke på slitte deler
- Produktet for sprekker eller tegn på slitte deler
- Alle etikettene på produktet er intakte

SVENSKA

Vi uppskattar att du väljer en ny produkt från R82, en global leverantör av tekniska hjälpmedel och anordningar för barn och vuxna med särskilda behov. Läs denna användarhandbok före användning och spara den för framtida behov, för att dra full nytta av valmöjligheterna som erbjuds genom denna produkt.

Avsett ändamål

Enheten är en ram för sittsystem för barn och vuxna med funktionsnedsättning.

Indikationer

Enheten används tillsammans med ett sittsystem (dvs. ett modulärt sittsystem som R82 x:panda eller R82 Panda Futura). Den kan användas av barn och vuxna med funktionsnedsättning som saknar förmåga att bibehålla en sittande ställning och röra sig (inne i rummet eller mellan rum/utomhus) utan hjälpmedel. Målgruppen för enheten baseras på funktionsförmåga och antropometri. Den baseras inte på ett specifikt hälsotillstånd eller ålder.

Användaren är den person som sitter i sitsen och används med ramen. Vårdgivaren är den person som hanterar ramen. Lämna aldrig användaren utan uppsikt i produkten. Säkerställ att en vårdgivare har ständig uppsikt. Användningen av enheten kommer att avbrytas fler gånger under dagen då användaren ligger, står eller sitter i ett annat hjälpmedel eller en konventionell produkt.

Kontraindikationer

Det finns inga kända kontraindikationer

Försiktighetsåtgärder

Det finns inga kända försiktighetsåtgärder

Användningsområden

Produkten är avsedd för inomhusbruk.



CE Deklaration om överensstämmelse

Denna produkt uppfyller kraven i förordningen för medicintekniska produkter (2017/745). CE-märkningen måste tas bort när produkten byggs om, används i kombination med produkter från en annan tillverkare eller vid användning av reservdelar och utrustning som inte är R82-originaldelar. Denna produkt uppfyller även kraven i:

- EN 12182

CE-märkningen måste tas bort i följande fall:

- Återuppbyggnad av produkten
- Användning av produkten utöver det avsedda syftet och försäkringen om överensstämmelse
- Användning av reservdelar och utrustning som inte är R82-originaldelar

När enheten kombineras med andra produkter får kombinationen inte ändra produkternas avsedda ändamål eller modifiera produkterna på ett sådant sätt att det kan påverka överensstämmelsen med tillämpliga krav. Den person/det företag som ansvarar för kombinationen av produkterna måste säkerställa att tillämpliga krav uppfylls.

Exempel på tillämpliga krav:

- Justering av användarvikt/vikt för den kombinerade sitsen och basen, godkännande för transport i fordon av båda produkterna (ISO16840-4 för sits och ISO7176-19 för bas)
- Materialsäkerhet (biokompatibilitet, brandfarlighet), mekanisk säkerhet (stabilitet, klämrisker, sammankoppling), elsäkerhet



Information om återvinning

En uttjänt produkt ska plockas isär och sorteras efter materialslag så att delarna kan återvinnas eller kasseras på rätt sätt. Du kan kontakta din lokala återförsäljare för en exakt beskrivning av varje material. Vänligen kontakta dina lokala myndigheter för information om möjligheterna för återvinning eller ett miljövänligt sätt att kasta använd produkt.

Tillbehör och reservdelar

Det finns flera olika tillbehör till produkten från R82. Tillbehören är anpassade för varje brukares behov. Reservdelar kan fås på begäran. De specifika tillbehören finns på vår webbplats och du kan kontakta din lokala återförsäljare för ytterligare information.

R82-garanti

R82 lämnar en 2-årsgaranti med avseende på brister som orsakats av tillverkningsfel eller bristfälligt material och en 5-årsgaranti när det gäller brott på metallramen orsakade av bristfälliga svetsfogar. Det kan ha en negativ inverkan på garantin om kunden underlåter att utföra erforderlig service och/eller dagligt underhåll i enlighet med riktlinjerna och föreskrivna intervall som anges av leverantören och/eller i User Guide. För mer information - se etac:s webbplats/nedladdning.

Livslängden för produkten vid normal användning är åtta år om allt underhåll och all service registreras och utförs enligt tillverkarens anvisningar. Enheten kan återutgas under sin livstid

Garantin gäller endast i det land där produkten har köpts, och om produkten kan identifieras med ett serienummer. Garantin täcker inte skada genom olyckshändelse, inklusive skada orsakad av felaktig användning eller försummelse. Garantin omfattar inte förbrukningsartiklar, t.ex däck eller klädsel, som utsätts för normalt slitage och behöver bytas ut regelbundet.

Garantin blir ogiltig om andra delar än originaldelar används, eller om produkten inte har underhållits, reparerats eller ändrats i enlighet med riktlinjerna i våra instruktioner och enligt de intervaller som rekommenderas av leverantörerna och/eller anges i vår User Guide. R82 förbehåller sig rätten att granska både den produkt som garantianspråket gäller och relevant dokumentation innan garantianspråket godkänns, samt att avgöra om den defekta produkten ska repareras eller bytas ut. Kunden ansvarar för att returnera den produkt som garantianspråket avser till inköpsstället.

Information om förhandsförsäljning

- www.etac.com

Säkerhet

Skyltar/etiketter, symboler och instruktioner på produkten får aldrig täckas över eller tas bort, utan måste förbli synliga och möjliga att läsa under hela produktens livslängd. Byt ut eller lappa ihop oläsliga eller skadade skyltar/etiketter, symboler och instruktioner omgående. Kontakta din lokala återförsäljare för instruktioner.

Om en biverkning uppstår i samband med produkten ska den utan dröjsmål rapporteras till den lokala återförsäljaren och den behöriga nationella myndigheten. Den lokala återförsäljaren kommer att vidarebefordra informationen till tillverkaren.

Vårdare

- Läs igenom User Guide noggrant före användning och behåll dem för framtida behov. Om produkten används felaktigt kan brukaren skadas allvarligt
- Den här produkten innehåller små delar som kan utgöra en kvävningsrisk om de tas bort från deras avsedda plats
- Använd alltid korrekt lyfteknik och hjälpmedel som är lämpliga för ändamålet
- Lämna aldrig användaren utan tillsyn i denna produkt. Säkerställ att användaren permanent övervakas av en vårdgivare.
- Vid reparation/byte av delar får endast nya originaldelar och originaltillbehör från R82 användas, och arbetet måste utföras i enlighet med de riktlinjer och intervall som föreskrivs av leverantören
- Avbryt användningen av produkten och kontakta din lokala återförsäljare så fort som möjligt om något inträffar som gör att din produkt från R82 inte känns säker eller om några delar går sönder
- Se till att inga kroppsdelar kläms eller fastnar i de rörliga delarna när de justeras
- Se till att inga kroppsdelar fastnar i öppningar för montering av stöd/tillbehör.
- Information om ram- och säteskombinationer inklusive maxbelastning per kombination finns på: etac.com

Miljö

- Kontrollera hur varm produkten är på ytan innan brukaren placeras i den. Detta är särskilt viktigt för brukare med okänslig hud eftersom de inte känner värmen. Låt produkten svalna innan den används om ytan är varmare än 41 °C.
- Använd produkten på ett plant underlag som är fritt från hinder. Var uppmärksam på att manövreringen kan försämras vid halt underlag

Brukare

- Om brukarens vikt ligger nära produktens maxvärden och/eller om brukaren gör många ofrivilliga rörelser, t.ex. gungar, kan det vara lämpligt att i stället välja en större storlek, som klarar av högre belastning, eller en annan produkt från R82

Produkt

- Gör alla lägesinställningar för produkten och tillbehören och kontrollera att alla vred, skruvar och spännen sitter fast ordentligt före användning. Förvara alla verktyg utom räckhåll för barn
- Aktivera bromsarna innan brukaren placeras i produkten
- Kontrollera produktens stabilitet innan du placerar brukaren i den
- Vi rekommenderar att man underrättar brukaren innan säte och rygg vinklas
- Kontrollera att hjulen och däckan fungerar och är säkra innan användning
- Kontrollera produkten och alla tillbehör och byt ut alla utslitna delar innan användning
- Utsätt inte gasfjädern för tryck eller höga temperaturer. Punktera EJ. Se till att pistonstången inte repas
- Det är viktigt att använda en trasa eller liknande om verktyg används vid justering av gasfjädern
- Produkten ska inte användas inuti fordon. Brukaren måste sitta i ett bilsäte och produkten ska förvaras i bagageutrymme
- Brukaren får inte befinna sig i produkten när den transporteras in i eller ut ur ett fordon med hjälp av en baggavellyft.

Serviceinformation

Underhållet av en medicinteknisk produkt är helt ägarens ansvar. Om instruktionerna gällande underhåll inte följs kan detta göra att garantin upphör att gälla. Dessutom kan underlåtenhet att underhålla produkten äventyra det kliniska tillståndet eller säkerheten för brukare och/eller vårdare.

Kontakta din lokala återförsäljare om du behöver hjälp med att installera, använda eller underhålla enheten.

Första dagen

- Läs igenom bruksanvisningen noggrant före användning och behåll den för framtida behov
- Förvara de bifogade verktygen i fickan på ramen

Dagligen

- Använd en torr trasa för att rengöra produkten
- Visuell inspektion. Reparera eller byt ut eventuella skadade eller utslitna delar
- Se till att alla fästen sitter där de ska och har monterats på rätt sätt

- Kontrollera att inga fästen och spännen är utslitna
- Observera eventuella MAX-markeringar innan justering

Varje vecka

- Kontrollera att alla hjulen rör sig fritt och att alla hjullås/-bromsar lätt slås till
- Använd en trasa som doppats i varmt vatten med mild rengöringsmedel/tvål utan blekmedel och som vridits ur för att torka bort skräp och smuts. Torka torrt före användning.

Varje månad

- Alla muttrar och bultar på denna produkt måste kontrolleras och dras åt för att undvika onödiga fel
- Olja de svängbara delarna. Vi rekommenderar att du använder ett professionellt system för smörjning

Årligen

- Kontrollera att ramen inte har några sprickor och utför punkterna på checklisten för service. Använd aldrig en produkt där något fel misstänks. Vänligen se checklisten för service

Rengöring

Denna produkt kan tvättas i 10 minuter vid 60 ° i tvättmaskinen som är avsedda för att tvätta medicintekniska produkter, med ett mildt rengöringsmedel eller desinfektionsmedel utan klor. Det är viktigt att låta din utrustning torka ordentligt innan du använder.

Desinfektion

Produkten kan desinficeras med en 70 % isopropanollösning. Vi rekommenderar att man använder en trasa som doppats i varmt vatten med mildt rengöringsmedel/tvål utan blekmedel för att torka bort skräp och smuts. Låt torka före desinficering.

Serviceintervall

En utförlig kontroll av produkten måste göras en gång om året (en gång i halvåret vid mer frekvent användning) och varje gång som produkten tas i bruk efter uppehåll. Kontrollen bör utföras av en tekniskt kunnig person som har utbildats i hur produkten används. Kontakta din hjälpmedelscentral för instruktioner om reparationer t ex arbete med punktering.

Checklista för service:

Kontrollera och justera så att följande fungerar enligt avsedd användning. Reparera eller byt ut eventuella skadade eller utslitna delar. Kontrollera:

- Underredets höjd kan justeras med spindeln
- Gångorna för fästanordningarna är i gott skick
- Justera sitsvinkeln. Sitsen är ställbar och stannar kvar i inställd position efter justeringen.
- Gasfjädern för sitstilen är korrekt justerad och det går att låsa sitsvinkeln i inställd position
- att hjulen rör sig fritt och att alla hjullås/-bromsar lätt slås till
- att produktens muttrar och bultar är åtdragna
- fästen och spännen med avseende på slitage
- Att produkten inte har några sprickor eller utslitna delar
- att alla etiketter på produkten är oskadade

SUOMI

Kiitos, että olet valinnut uuden tuotteen R82:lta - maailmanlaajuiselta lasten ja aikuisten erityistarpeiden teknisten apuvälineiden ja laitteiden toimittajalta. Saadaksesi täyden hyödyn tämän tuotteen tarjoamista mahdollisuuksista lue tämä käyttöopas ennen tuotteen käyttöä ja säästä se myöhempiä käyttöä varten.

Käyttötarkoituksella

Laite on kehikko liikuntarajotteisten lasten ja aikuisten istuinjärjestelmiä varten.

Käyttöaiheet

Laitetta käytetään yhdessä istuinjärjestelmän kanssa (esim. modulaarinen istuinjärjestelmä, kuten R82 x:panda tai R82 Panda Futura). Sitä voivat käyttää liikuntarajotteiset lapset ja aikuiset, jotka eivät pysty istumaan ja liikkumaan (huoneessa tai huoneiden välillä/ulkona) ilman apuvälinettä. Laitteen kohderyhmä perustuu toiminnallisuuteen ja antropometriaan. Se ei perustu tiettyyn terveydentilaan tai ikään.

Käyttäjät ovat henkilö, joka istuu kehikon kanssa käytettävässä istuimessa. Hoitaja on kehikkoa ohjaava henkilö. Älä jätä käyttäjää ilman valvontaa tähän tuotteeseen. Varmista hoitajan jatkuva valvonta. Laitteen käyttö lopetetaan monta kertaa päivän aikana, jolloin käyttäjä makaa, seisoo tai istuu toisessa apulaitteessa tai perinteisessä tuotteessa.

Vasta-aiheet

Ei tunnettuja vasta-aiheita

Varotoimet

Ei tunnettuja varotoimia

Käyttöalueet

Tuote on tarkoitettu sisäkäyttöön.



Tämä tuote on lääkinällisiä laitteita koskevan asetuksen (2017/745) vaatimusten mukainen. CE-merkintä on poistettava, jos tuote kootaan uudelleen, jos sitä käytetään yhdessä toisen valmistajan tuotteen kanssa tai jos käytetään muita kuin alkuperäisiä R82-varaosia tai -varusteita. Lisäksi tämä tuote on seuraavien vaatimusten mukainen:

- EN 12182

CE-merkki täytyy poistaa,

- jos tuote kootaan uudelleen
- jos tuotetta käytetään muuten kuin käyttötarkoituksen mukaisesti ja/tai muuhun kuin sen vaatimustenmukaisuusvakuutuksen mukaiseen tarkoitukseen
- jos tuotetta käytetään yhdessä muiden kuin alkuperäisten R82-varaosien ja varusteiden kanssa.

Jos laite yhdistetään muihin tuotteisiin, yhdistäminen ei saa muuttaa tuotteiden käyttötarkoitusta tai tehdä tuotteisiin muutoksia, jotka voivat vaikuttaa sovellettavien vaatimusten täyttämiseen. Tuotteiden yhdistämisestä vastaavan henkilön/yrityksen on varmistettava, että sovellettavat vaatimukset täyttyvät.

Esimerkkejä sovellettavista vaatimuksista:

- Käyttäjän painon/massan kohdistaminen yhdistettyyn istuimeen ja jalustaan, molemmille tuotteille myönnetty hyväksyntä kuljettaa niitä ajoneuvoissa (ISO16840-4 istuimelle ja ISO7176-19 jalustalle)
- Materiaalien turvallisuus (biologinen yhteensopivuus, syttyvyys), mekaaninen turvallisuus (vakaus, puristumisvaara, yhdistettävyyys), sähköturvallisuus



Kierrätys

Tuotteen saavutettua lopullisen käyttöiän, materiaaliosat tulee erotella erikseen kierrätystä tai hävitystä varten. Tarvittaessa ota yhteyttä paikalliseen myyjään varmistaaksesi oikean materiaalin. Ota yhteyttä lähimpään ympäristöpisteeseen, varmistaaksesi materiaalin oikean jätemääräysten mukaisen kierrätyksen.

Lisävarusteet ja varaosat

R82 tuotteet voidaan toimittaa erilaisilla lisävarusteilla, vastaten käyttäjän yksilölliseen tarpeeseen. Varaosat ovat saatavilla tilauksesta. Erikoisvarusteet löytyvät nettisivuiltamme tai lisätietoja saa paikalliselta edustajalta.

R82-takuu

R82 tarjoaa 2 vuoden takuun työn laadun ja materiaalivirheiden osalta ja 5 vuoden takuun hitsausliitosvikojen aiheuttamien metallirungon murtumien osalta. Takuu vaarantuu, mikäli asiakkaan vastuuta huoltamisesta ja/tai päivittäisestä kunnossapidosta ei kanneta toimittajan määräämien ja/tai User Guide esitettyjen ohjeiden ja määräaikaisten mukaisesti. Lisätietojen osalta viittaamme etac:n kotisivuihin/latauksiin.

Tämän tuotteen kestoikä on 8 vuotta normaalikäytössä, jos kaikki kunnossapito- ja huoltotoimet on tehty toimittajan ohjeiden ja ohjeistuksen mukaisesti. Laite voidaan antaa käyttöön uudelle käyttäjälle sen käyttöiän aikana

Takuu on voimassa vain tuotteen ostomaassa, jota varten se on valmistettu ja tuote voidaan tunnistaa sarjanumeron avulla. Takuu ei kata vahinkovaurioita, eikä väärinkäytön tai huolimattomuuden aiheuttamia vaurioita. Takuu ei kata kuluja osia esim. renkaita tai verhoilua, jotka ovat alttiina normaalille kulumiselle ja jotka on ajoittain vaihdettava uusiin.

Takuu raukeaa, jos käytetään muita kuin alkuperäisiä varaosia tai tarvikkeita, jos tuotetta ei ole pidetty kunnossa tai korjattu oikein tai jos tuotteeseen on tehty muita kuin valmistajan hyväksymät ja käyttöohjeessa kuvattuja muutoksia (User Guide). R82 varaa oikeuden tarkastaa takuuvaatimuksen kohteena oleva tuote ja asiaankuuluva dokumentaatio ennen takuuvaatimukseen suostumista ja tehdä päätös siitä, vaihdetaanko viallinen tuote uuteen vai korjataanko se. Takuuvaatimuksen kohteena olevan tuotteen palauttaminen ostopaikan osoitteeseen on asiakkaan vastuulla.

Ennakkomyyntitietoja

- www.etac.com

Turvallisuus

Tuotteen merkkejä, symboleja ja ohjeita ei saa peittää tai siirtää, ja ne tulee olla selkeästi esillä ja luettavissa koko tuotteen käyttöajan ajan. Vaihda tai korjaa välittömästi epäselvät tai vahingoittuneet merkit, symbolit ja ohjeet. Ota yhteyttä paikalliseen edustajaan.

Mikäli laitteeseen liittyviä haittatapahtumia ilmenee, niistä on ilmoitettava paikalliselle jälleenmyyjälle ja kansalliselle toimivaltaiselle viranomaiselle mahdollisimman pian. Paikallinen jälleenmyyjä välittää tiedot valmistajalle.

Vårdare

- Lukekaa kaikki ohjeet ennen käyttöä ja pitäkää ne tallessa tulevaa käyttöä varten. Tuotteen vääränlainen käyttö voi aiheuttaa käyttäjälle vakavan vamman
- Tämä tuote sisältää pieniä osia, jotka voivat aiheuttaa tukehtumisvaaran, jos ne irrotetaan paikoiltaan.
- Käytä aina tarkoitukseen sopivaa nostotekniikkaa ja apuvälinettä
- Älä koskaan jätä käyttäjää valvomatta tähän tuotteeseen. Varmista, että hoitaja valvoo käyttäjää koko ajan
- Korjauksissa/vaihdoissa saa käyttää ainoastaan R82 alkuperäisiä varaosia, ja säätäminen ja välien asetukset saadaan tehdä ainoastaan toimittajan ohjeistuksen mukaisesti
- Mikäli R82 tuotteessa on ongelma tai mikä tahansa osa on rikkoontunut, lopettakaa tuotteen käyttö heti ja ottakaa välittömästi yhteyttä paikalliseen edustajaan
- Varmista, etteivät liikkuvat osat säädettäessä purista mitään kehon osia tai estä niiden liikuttamista
- Varmista, ettei kehonosia jää puristuksiin tukien/ varusteiden asennusaukkoihin.
- Tiedot rungon ja istuimen yhdistelmästä, mukaan lukien maksimikuormitus, löytyvät täältä: etac.com

Ympäristö

- Tarkasta tuotteen pinnan lämpötila ennen käyttäjän asettamista siihen. Tämä koskee erityisesti käyttäjiä, joiden ihossa ei ole tuntoa, koska he eivät tunne kuumuutta. Jos pinnan lämpötila on yli 41 °C, anna tuotteen jäähtyä ennen käyttöä.
- Turvallisuuden ja mukavuuden vuoksi siirrä tuote pois auringosta ja viilennä tuote ennen käyttöä

Käyttäjä

- Jos käyttäjä on lähellä maksimiarvoja ja/tai hänellä on runsaasti hallitsemattomia liikkeitä esim.huojumista, tulee harkita suurempaa kokoa R82 tuotteesta

Tuote

- Tarkista ennen käyttöä, että kaikki kiinnitykset ja säädöt sekä osat ovat oikein ja paikoillaan. Pidä kaikki työkalut lasten ulottumattomissa
- Laita jarrut päälle ennen kuin sijoitat lapsen apuvälineeseen
- Varmista tuotteen vakaus ennen kuin sijoitat lapsen apuvälineeseen
- Suosittelemme ilmoittamaan käyttäjälle säädöstä , ennenkuin säädät selkänöjan tai istuimen kulmaa
- Varmista ennen käyttöä, että pyörät ovat täysin toimivat ja kiinnitetty hyvin
- Tarkasta tuote ja kaikki osat, vaihda kuluneet osat ennen käyttöä
- Älä naarmuta mäntää; on tärkeätä käyttää liinaa tai vastaavaa, mikäli kaasujousen säätämiseen käytetään työkaluja
- Älä expose Kaasujousta paineelle tai korkeille lämpötiloille. Älä riko.
- Tämä tuote ei ole tarkoitettu moottoriajoneuvoksi. Käyttäjä sijoitetaan autonistuimeen ja tuote pakataan auton tavaratilaan
- Tuotetta ei saa käyttää silloin kun sitä lastataan autoon tai autosta pois.

Huoltotietoja

Tämän lääkitäilaitteen kunnossapitovastuu on laitteen omistajalla. Laitteen ohjeistuksen mukaisen kunnossapidon laiminlyönti voi aiheuttaa takuun mitätöinnin. Lisäksi kunnossapidon laiminlyönti voi vaarantaa laitteen tai käyttäjän ja/tai huoltajan turvallisuutta.

Ota tarvittaessa yhteys paikalliseen jälleenmyyjään, jos tarvitset apua laitteen käyttöönottoa, käyttöä tai huoltoa varten.

1.päivänä

- Lue käyttöohjeet huolellisesti ennen käyttöä ja säilytä ohjeet tulevaa käyttöä varten
- Varastoi oheiset työkalut laitteeseen

Päivittäin

- Puhdistus kuivalla puhtaalla liinalla
- Visuaalinen tarkastus. Korjaa/vaihda vaurioituneet tai kuluneet osat
- Huolehdi, että kaikki kiinnikkeet ovat paikoillaan ja kunnolla kiinni
- Tarkista kaikki säädöt ja soljet, ettei ole kulumisen merkkejä
- Tiedosta maksimimerkinnot ennen hienosäätöä

Viikoittain

- Tarkista, että kaikki pyörät liikkuvat vapaasti ja kaikki pyörän lukitukset/jarrut toimivat helposti
- Pyyhi tuotteesta kaikki jäämät ja liat lämpimässä vedessä ja kloorittomassa miedossa pesuaineessa/saippuassa kostutetulla liinalla ja kuivaa ennen käyttöä

Kuukausittain

- Kaikki ruuvit ja pultit tulee tarkistaa ja kiristää, jotta vältetään tarpeettomat vahingot
- Öljyä liikkuvat osat. Suosittelemme käyttämään ammattikäyttöön tarkoitettua voiteluöljyä

Vuosittain

- Tarkasta rungon kunto halkeamien tai kuluneiden osien osalta ja huolehdi vuosihuollosta. Älä koskaan käytä viallista tuotetta

Tuotteen konepesu

Tämä tuote voidaan pestä 60° 10 minuuttia käyttäen mietoja pesuainetta tai desinfioida ilman klooria pesulaitteessa, joka on suunniteltu lääkinnäisten laitteiden pesemiseen. Anna tuotteen kuivua ennen uudelleenkäyttöä.

Desinfektio

Tuote voidaan desinfioida 70-prosenttisella IPA-desinfiointinesteellä. Suositeltavaa on pyyhkiä tuotteesta kaikki jäämät ja liat lämpimässä vedessä ja kloorittomassa miedossa pesuaineessa/saippuassa kostutetulla liinalla ja antaa tuotteen kuivua ennen desinfiointia.

Huoltoväli

Tuotteen yksityiskohtainen tarkastus on tehtävä joka 12 kuukausi (kovassa käytössä oleva tuote joka 6 kuukausi) ja joka kerta kun tuote on otettu uudelleenkäyttöön. Tarkastuksen tulee tehdä valtuutettu huoltohenkilö. Ota yhteys paikalliseen jälleenmyyjään saadaksesi korjausohjeita.

Tarkistuslista huoltoa varten:

Tarkista ja säädä seuraavat toiminnot käyttötarkoituksen mukaan. Korjaa tai vaihda kaikki vaurioituneet tai loppuun kuluneet osat. Tarkista

- Rungon korkeutta voidaan säätää karan avulla
- Kiinnikkeiden kierteet ovat hyvässä kunnossa
- Istuintason säätö. Istuintaso on säädettävissä, ja se pysyy paikallaan säädön jälkeen.
- Kaasujousi istuimen kallistamista varten on säädetty oikein, ja istuintason voi lukita paikalleen
- että pyörät pyörivät vapaasti ja kaikki pyörien lukot/jarrut kytkettyvät helposti
- että tuotteen mutterit ja pultit on kiristetty kunnolla
- kiinnikkeet ja soljet kulumisen merkkien varalta
- tuote naarmujen tai kulumisen merkkien varalta
- että tuotteen kaikki tarrat ovat ehjiä

ESPAÑOL

Le agradecemos que haya elegido un nuevo producto de R82, un proveedor internacional de dispositivos y recursos técnicos para niños y adultos con necesidades especiales. Para aprovechar plenamente las opciones que ofrece este producto, lea este Manual de usuario antes de utilizarlo y consérvelo para futuras consultas.

Finalidad prevista

El dispositivo es un chasis para sistemas de asientos para niños y adultos con discapacidades.

Indicaciones

El dispositivo se utiliza junto con un sistema de asiento (es decir, un sistema de asiento modular como R82 x:panda o R82 Panda Futura). Lo pueden utilizar niños y adultos con discapacidades, que no tengan la capacidad de mantenerse en posición sentada y moverse (dentro de la habitación o entre habitaciones/al aire libre) sin un dispositivo de asistencia. El paciente objetivo del dispositivo se basa en la capacidad funcional y la antropometría. No se basa en ningún problema de salud o edad específicos.

El usuario es la persona sentada en el asiento que se utiliza con el chasis. El cuidador es la persona que opera el chasis. No deje al usuario de este producto sin supervisión. Asegúrese de que el cuidador vigile en todo momento al usuario durante el uso. El uso del dispositivo se interrumpirá más veces durante el día cuando el usuario esté en posición tumbada, de pie o sentada en otro dispositivo de asistencia o producto convencional.

Contraindicaciones

No existen contraindicaciones conocidas

Precauciones

No existen precauciones conocidas

Lugares de uso

El producto se ha previsto para su uso en interiores



Declaración de Conformidad

Este producto cumple los requisitos de la Regulación sobre los productos sanitarios (2017/745). El marcado CE deberá retirarse si el producto se reconstruye, si se utiliza junto con un producto de otro fabricante o si se utilizan piezas de recambio o accesorios distintos a los originales de R82. Además, este producto cumple los requisitos conforme a:

- EN 12182

La marca CE debe retirarse en caso de:

- Reconstrucción del producto
- Uso del producto distinto al previsto y a la declaración de conformidad
- Uso de repuestos y accesorios distintos a los originales de R82

Al utilizar el dispositivo en combinación con otros productos, la combinación no debe cambiar la finalidad prevista de los productos ni modificar los productos de tal manera que pueda verse afectada la conformidad con los requisitos aplicables. La persona / empresa responsable de la combinación de los productos debe garantizar el cumplimiento de los requisitos aplicables.

Ejemplos de requisitos aplicables:

- Alineación del peso del usuario/masa del asiento y la base combinados, aprobación para transporte en vehículos de ambos productos (ISO16840-4 para el asiento e ISO7176-19 para la base)
- Seguridad de los materiales (biocompatibilidad, inflamabilidad), seguridad mecánica (estabilidad, riesgos de aplastamiento, interconexión), seguridad eléctrica



Desecho y reciclaje

Cuando este producto llegue al término de su vida útil, deben de separarse las partes del mismo según el tipo de material para poder ser reciclados o desechados correctamente. Si es necesario, póngase en contacto con su distribuidor local para obtener una descripción exacta de cada material. Para obtener información acerca de cómo reciclar su producto de manera respetuosa con el medio ambiente, por favor, contacte con las autoridades locales.

Accesorios y recambios

Los productos de R82 pueden ser suministrados con una variedad de accesorios que se ajustan a las necesidades individuales de cada usuario. Las piezas de repuesto se pueden pedir por encargo. Puede encontrar accesorios específicos en nuestra página web o contactar con su distribuidor local para más información.

Garantía R82

R82 ofrece una garantía de 2 años contra los defectos de fabricación y de los materiales y una garantía de cinco años en caso de rotura del bastidor metálico por causa de defectos en la soldadura. La garantía no será válida si el cliente no cumple con la responsabilidad de llevar a cabo los servicios de reparación y/o mantenimiento diario de acuerdo con las directrices y los intervalos prescritos por el proveedor y/o tal y como se indica en el User Guide. Encontrará más información para descargar en la página de inicio de R82.

Póngase en contacto con su distribuidor para obtener instrucciones sobre reparaciones. La vida útil de este producto en su uso normal es de 8 años si todo el mantenimiento y las reparaciones se llevan a cabo de acuerdo con las instrucciones del fabricante y demostraciones registradas. El dispositivo se puede modificar durante su vida útil

La garantía solo se concede en el país donde se adquirió el producto, y si el producto puede ser identificado por el número de serie. La garantía no cubre los daños accidentales, incluyendo los daños ocasionados por el mal uso o negligencia. La garantía no se extiende en los artículos de consumo como los neumáticos o la tapicería, que están sujetos a un desgaste normal y necesitan ser reemplazados periódicamente.

La garantía perderá su validez y quedará anulada si emplean piezas/accesorios no originales de R82 o si el producto no se mantiene, repara o modifica del modo indicado en las instrucciones y con la frecuencia indicada por el proveedor y/o en el User Guide. R82 se reserva el derecho de inspeccionar el producto reclamado y de la documentación pertinente antes de aceptar la reclamación de la garantía, para decidir sobre si es necesario reparar el producto defectuoso. Es responsabilidad del cliente retornar el artículo por el que se reclama la garantía a la dirección de la compra.

Información preventiva

- www.etac.com

Seguridad

Los signos, símbolos e instrucciones colocados en este producto no deben ser cubiertos o retirados y deben permanecer presentes y fácilmente legibles a lo largo de toda la vida útil del producto. Reemplace o repare de inmediato los signos ilegibles o dañados, los símbolos y las instrucciones. Póngase en contacto con su distribuidor local para obtener instrucciones.

Si se ha producido un evento adverso con el dispositivo, deberá ser comunicado a su distribuidor local y a la autoridad nacional competente de la manera oportuna. El distribuidor local remitirá la información al fabricante.

Cuidador

- Lea atentamente todas las instrucciones e User guide antes de usar el producto y consérvelas para futuras referencias. El uso incorrecto de este producto puede causar lesiones graves al usuario
- Este producto contiene piezas pequeñas que podrían presentar riesgo de asfixia si se retiran del lugar donde están instaladas.
- Use siempre las técnicas correctas de levantamiento y las ayudas para este fin
- No deje al usuario de este producto sin supervisión. Asegúrese de que el cuidador vigile en todo momento al usuario durante el uso.
- Las reparaciones y los recambios sólo deben hacerse con piezas nuevas y originales de repuesto y accesorios de R82 y de acuerdo con las directrices y los intervalos de mantenimiento prescritos por el proveedor
- Si tiene alguna duda sobre la continuación del uso seguro del producto de R82 o si alguna pieza falla, deje de usar el producto de inmediato y contacte con su distribuidor local tan pronto como sea posible
- Asegúrese de que las piezas móviles no puedan apretar o aprisionar ninguna parte del cuerpo durante su ajuste.
- Asegúrese de que ninguna parte del cuerpo quede atrapada en las aberturas de montaje de los soportes o accesorios.
- Si desea obtener más información acerca de las combinaciones de chasis y asiento con una indicación de la carga máxima combinada, consulte: etac.com

Medio ambiente

- Observe la temperatura de la superficie del producto antes de colocar a un usuario en él. Este factor se debe tener especialmente en cuenta para usuarios con insensibilidad cutánea, dado que no pueden sentir el calor. Si la temperatura de la superficie es superior a 41 °C, deje que el producto se enfríe antes de utilizarlo.
- Use este producto en una superficie llana y libre de obstáculos. Esté atento a reducir la maniobrabilidad cuando se encuentre en superficies resbaladizas

Usuario

- Si el usuario está cerca del límite de carga máximo y/o tiene muchos movimientos involuntarios, p.e. balanceos, será conveniente considerar otro producto de R82 con un tamaño más grande y un máximo superior

Producto

- Realice todos los ajustes de posicionamiento del producto y los accesorios y asegúrese que todos los tiradores, tornillos y hebillas quedan bien sujetos antes de su uso. Mantenga todas las herramientas fuera del alcance de los niños
- Active los frenos antes de colocar al usuario en el producto
- Asegúrese de la estabilidad del producto antes de colocar al usuario en el mismo
- Le recomendamos que se lo comunique al usuario antes de efectuar la inclinación del asiento y el respaldo
- Asegúrese del correcto funcionamiento y la seguridad de las ruedas y los neumáticos antes de su uso
- Inspeccione el producto y todos sus accesorios y reemplace las piezas desgastadas antes de su uso
- No exponga el resorte de gas a presión oa altas temperaturas. NO perforar.
- No exponga el émbolo del pistón a arañazos o similares. Es impotante que utilice un trapo como protección cuando efectúe regulaciones que necesiten herramientas en el pistón de gas
- Este producto no está preparado para ser usado dentro de un vehículo de motor. El usuario deberá ser colocado en un asiento del vehículo y el producto deberá ser almacenado en un compartimento de equipaje
- El usuario no debe utilizar el producto mientras está siendo transportado dentro o fuera de un vehículo mediante una plataforma elevadora

Información de mantenimiento

El mantenimiento de un dispositivo médico es responsabilidad total del propietario de ese dispositivo. En caso de no mantener un dispositivo de acuerdo con las instrucciones la garantía del mismo puede quedar invalidada. Además, la falta de mantenimiento de un dispositivo puede poner en peligro el estado clínico o la seguridad de los usuarios y/o de sus cuidadores.

Póngase en contacto con su distribuidor local si necesita ayuda para configurar, utilizar o realizar el mantenimiento del dispositivo.

1r Día

- Lea la Guía del usuario detenidamente antes de usar el producto y guárdela en un lugar seguro para futuras consultas
- Guarde las herramientas empaquetadas con/en el producto

Diariamente

- Utilice un paño seco para limpiar el producto
- Inspeccione visualmente el producto y repare o reemplace las piezas dañadas o desgastadas del mismo
- Asegúrese de que todas las piezas estén en su lugar y colocadas correctamente
- Asegúrese de que todas las piezas estén en su lugar y colocadas correctamente
- Preste atención a cualquier indicio de marca máxima antes de la revisión

Semanalmente

- Asegúrese de que todas las ruedas se mueven libremente y que todos los seguros de las ruedas y los frenos se activan fácilmente
- Elimine cualquier residuo de suciedad del producto utilizando un paño escurrido con agua templada y un detergente/jabón suave sin cloro. Seque el producto antes de utilizarlo.

Mensualmente

- Todas las tuercas y los pernos de este producto deben ser revisados y ajustados para evitar fallos
- Lubrique las piezas de distancia basculante. Le recomendamos que utilice un sistema de lubricación profesional

Anualmente

- Inspeccione el marco de las grietas o signos de desgaste de las piezas y realice el servicio de mantenimiento anual. Nunca utilice un producto que parezca deficiente o defectuoso

Lavado a máquina

Este producto puede lavarse de 10 minutos a una temperatura máxima de 60° en una máquina especialmente diseñada para dispositivos médicos, utilizando un detergente suave o un desinfectante sin cloro. Por favor, compruebe que el producto esté completamente seco antes de volver a utilizarlo.

Desinfección

El producto, puede desinfectarse con una solución de alcohol isopropílico desinfectante al 70 %. Se recomienda eliminar cualquier residuo o suciedad del producto utilizando un paño humedecido en agua caliente y un jabón/detergente suave sin cloro. Seque el producto antes de desinfectarlo.

Revisiones de Mantenimiento

Debe realizarse una inspección detallada del producto cada 12 meses (cada 6 meses para los usos intensivos) y cada vez que se vuelve a restaurar el producto para su uso. La inspección debe ser realizada por una persona técnicamente competente que haya sido entrenada en el uso del producto.

Lista de comprobación de mantenimiento:

Revise y ajuste las funciones siguientes según su uso previsto. Repare o sustituya cualquier pieza dañada o gastada. Recuerde comprobar los puntos siguientes:

- La altura de la estructura se puede ajustar con la lengüeta
- Las roscas de los tornillos de sujeción están en buenas condiciones
- Ajuste del plano del asiento. El plano del asiento es ajustable y se mantiene en su posición después del ajuste.
- El pistón de gas que regula la inclinación del asiento está ajustado correctamente y es posible bloquear el plano del asiento en la posición deseada
- Las ruedas se mueven libremente y todos los bloqueos/frenos de las ruedas se activan con facilidad.
- Las tuercas y los pernos del producto están apretados.
- Los soportes y las hebillas no presentan signos de desgaste.
- El producto no presenta agrietamientos ni signos de desgaste.
- Todas las etiquetas del producto están en perfecto estado.

FRANÇAIS

Félicitations pour l'acquisition de votre nouveau produit R82, fabricant mondialement reconnu pour ses appareils et solutions techniques d'aide destinés aux enfants et adultes handicapés. Afin de profiter pleinement des options offertes par ce produit, avant utilisation veuillez lire le présent manuel que vous conserverez ensuite pour référence ultérieure.

Destination

L'appareil est un cadre destiné aux systèmes d'assise pour enfants et adultes handicapés.

Indications

Le dispositif est utilisé avec un système d'assise (c.-à-d. un système modulaire, tel que R82 x: panda ou R82 Panda Futura). Il peut être utilisé par des enfants et adultes handicapés rencontrant des difficultés à rester assis et à se déplacer (dans une pièce ou d'une pièce à l'autre / à l'extérieur) sans dispositif d'assistance. Le groupe cible du dispositif dépend de la capacité fonctionnelle et de l'anthropométrie. Il ne repose en aucun cas sur l'état de santé et l'âge.

L'« utilisateur » désigne la personne assise dans le fauteuil utilisé avec le cadre. Le « soignant » désigne la personne actionnant le cadre. Ne jamais laisser l'utilisateur de ce produit sans surveillance. S'assurer d'une supervision permanente par un soignant. L'appareil ne sera pas utilisé en continu. À plusieurs reprises au cours de la journée, l'utilisateur sera allongé, debout ou assis dans un autre appareil fonctionnel ou un produit conventionnel.

Contre-indications

Il n'existe aucune contre-indication connue.

Précautions

Aucune précaution connue.

Domaines d'application

Le produit est destiné à une utilisation en intérieur.



Déclaration de Conformité

Ce produit est conforme aux exigences du règlement sur les dispositifs médicaux (2017/745). Le marquage CE doit être retiré si le produit est modifié, ou s'il est utilisé en combinaison avec un produit d'un autre fabricant ou avec des pièces de rechange et accessoires autres que ceux d'origine R82. En outre, ce produit est conforme aux exigences en vertu de :

- EN 12182

Le marquage CE doit être retiré dans les cas suivants :

- Reconstruction du produit
- Utilisation du produit en dehors de l'usage prévu et de la déclaration de conformité
- Utilisation de pièces de rechange et de raccords autres que les pièces R82 d'origine

Si le dispositif est combiné à d'autres produits, la combinaison ne doit pas modifier la destination des produits ou modifier les produits de manière à ce que la conformité aux exigences applicables puisse être affectée. La personne/société responsable de la combinaison des produits doit veiller au respect des exigences applicables.

Exemples d'exigences applicables :

- Alignement du poids de l'utilisateur/de la masse du siège et de la base combinés, approbation pour le transport dans les véhicules des deux dispositifs (ISO16840-4 pour le siège et ISO7176-19 pour la base)

- Sécurité des matériaux (biocompatibilité, inflammabilité), sécurité mécanique (stabilité, risques de pincement, interconnexion), sécurité électrique



Information concernant le recyclage

Lorsqu'un produit a atteint sa fin de vie, il doit être démantelé par type de matériau constituant, afin que chaque partie soit recyclée ou correctement jetée. Si nécessaire, contacter votre revendeur afin d'avoir des précisions sur chaque matériau constituant. Pour toute information sur le recyclage ou la mise au rebut de ce produit, contacter le service de la mairie compétent, et/ou le service local d'élimination des déchets.

Accessoires et pièces détachées

Les appareils R82 peuvent être fournis avec une grande variété d'accessoires à choisir en fonction des besoins individuels des utilisateurs. Les pièces détachées sont disponibles sur commande. Pour toute commande d'accessoire spécifiques, ou demande d'information, contacter votre revendeur.

Garantie R82

R82 offre une garantie de deux ans contre les défauts de fabrication et de matériaux ainsi qu'une garantie de 5 ans sur la rupture du cadre en métal provoquée par des défauts au niveau des soudures. La garantie peut être rendue caduque si la responsabilité du client consistant en un entretien et/ou une maintenance quotidienne n'est pas exécutée conformément aux instructions et aux intervalles prescrits par le fournisseur et/ou indiqués dans le User Guide. Pour plus d'informations, nous nous reportons à R82 homepage/download (page d'accueil R82/téléchargement).

Lors d'une utilisation normale, la durée de vie de ce produit est de 8 ans si l'entretien et la maintenance ont été effectués selon les instructions du fabricant. Chaque entretien doit être répertorié et enregistré. Le dispositif peut être revu pendant sa durée de vie.

La garantie est uniquement applicable dans le pays où le produit a été acheté et s'il peut être identifié par le numéro de série. La garantie ne couvre pas les avaries accidentelles, notamment celles provoquées par une mauvaise utilisation ou par négligence. La garantie ne s'étend pas aux pièces d'usure comme les pneus ou bien le revêtement du produit qui soumis à une utilisation normale doivent être changés régulièrement.

La garantie est nulle est non avenue si des pièces/accessoires non d'origine sont utilisés, ou si le produit n'a pas été entretenu, réparé ou modifié conformément aux instructions et aux intervalles précisés par le fournisseur et/ou indiqués dans le User Guide. R82 se réserve le droit d'inspecter le produit, objet d'une réclamation, ainsi que de s'informer sur les conditions d'utilisation de ce dernier, avant d'agréer une prise en charge sous garantie et de décider s'il convient de remplacer ou réparer le produit défectueux. Il incombe au client de retourner l'article sur lequel porte la garantie à l'adresse d'achat. La garantie est fournie par R82 ou ultérieurement par un distributeur R82.

Informations relatives à la prévente:

- www.etac.com

Sécurité

Les pictogrammes et les symboles, indiqués sur ce produit ne doivent en aucun cas être masqués ou retirés et doivent restés présents et clairement lisibles durant toute la durée de vie du produit. Ces symboles ou instructions doivent être immédiatement remplacés en cas de destruction ou d'illisibilité. Contacter votre distributeur local pour toute information.

En cas d'événement indésirable associé au dispositif, tout incident doit être rapporté rapidement à votre revendeur et à l'autorité nationale compétente. Votre revendeur transmettra l'information au fabricant.

Accompagnant

- Lire soigneusement la notice d'utilisation (NU) avant utilisation et la ranger dans un endroit sécurisé pour s'y référer ultérieurement
- Ce produit contient des petites pièces qui, si elles sont détachées de leur emplacement, peuvent constituer un risque de suffocation.
- Toujours utiliser des aides et techniques de transfert adéquates
- Ne jamais laisser un utilisateur de ce produit sans surveillance. S'assurer d'une supervision permanente par un soignant.
- Les réparations et remplacements de pièces doivent être faits uniquement avec pièces originales R82 et installées selon les instructions du fabricant et/ou de la notice d'utilisation
- En cas de doute sur la sécurité lors de l'utilisation de votre produit R82, ou en cas de défectuosité, Il est conseillé d'arrêter immédiatement l'utilisation de l'appareil et de contacter dès que possible votre revendeur local
- Veiller à ce que les pièces mobiles ne coïncent pas les parties structurelles lors de leur ajustement
- Veillez à ce que des parties du corps ne se coïncent pas dans les ouvertures prévues pour la fixation des supports et des accessoires.
- Les informations relatives aux combinaisons entre siège et cadre, notamment la charge maximale pour les combinaisons, se trouvent : etac.com

Environnement

- Vérifiez la température de la surface du produit, avant d'y placer un utilisateur, en particulier pour les utilisateurs atteints d'insensibilité cutanée, car ils ne peuvent pas sentir la chaleur. Si la température de la surface dépasse les 41 °C, laissez refroidir le produit avant de l'utiliser.
- Utiliser cet appareil sur une surface plane et sans obstacle. La maniabilité est réduite sur des surfaces humides

Utilisateur

- Si l'utilisateur a un poids proche de l'indication de charge maximum du produit, et s' il est sujet a beaucoup de mouvement involontaires il est préférable de prendre le modèle avec indication de charge supérieure ou un autre produit R82 plus adapté

Produit

- Faire tous les réglages posturaux, installer les accessoires sur l'appareil en s'assurant que toutes les mollettes, vis et boucles sont correctement serrées avant d'installer l'utilisateur dans l'appareil. Conserver les outils hors de la portée des enfants
- Toujours mettre les freins avant d'installer l'enfant dans l'appareil
- S'assurer de la bonne stabilité de l'appareil avant d'installer l'enfant dedans
- Il est recommandé de prévenir l'utilisateur avant d'incliner le siège
- Veillez à ce que les roulettes soient entièrement fonctionnelles et sécurisées avant utilisation.
- Toujours inspecter l'appareil et ses accessoires, et remplacer les pièces éventuellement usées ou détériorées avant utilisation
- Ne pas exposer le ressort à gaz à une pression ou à des températures élevées. NE PAS percer.
- N'exposez pas la tige du piston aux éraflures, etc. Il est important d'utiliser un chiffon ou similaire, si des outils sont utilisés pour ajuster le vérin à gaz
- Cet appareil ne doit pas être occupé durant son transport dans un véhicule à moteur. L'utilisateur doit être installé dans le siège du véhicule et l'appareil doit être mis dans le compartiment réservé aux bagages
- L'utilisateur ne doit pas être dans l'appareil lorsque celui-ci est placé ou retiré d'un véhicule à l'aide d'une plateforme élévatrice.

Informations relatives à l'entretien

La maintenance d'une aide technique médicale est pleinement sous la responsabilité du propriétaire de ce produit. La garantie appliquée au produit peut être invalidée au cas où l'entretien et la maintenance n'ont pas été accomplis de façon conforme à la notice d'instruction. De plus un défaut de maintenance peut compromettre les conditions cliniques ou la sécurité des usagers et/ou de leurs assistants.

Contactez le revendeur local pour toute question concernant la configuration, l'utilisation ou la maintenance de l'appareil, le cas échéant.

1er jour

- Lire attentivement la notice d'utilisation (User Guide) avant la mise en route et la conserver pour un usage ultérieur.
- Ranger les outils livrés dans la pochette placée sur le châssis

Quotidiennement

- Utiliser un chiffon sec pour nettoyer le produit
- Inspection visuelle. Réparer ou remplacer toute pièce endommagée ou usée
- Faire attention à ce que toutes les fixations soient en place et correctement fixées
- Vérifier qu'il n'y ait pas de traces d'usure sur toutes les pièces des fixations et des boucles
- Prendre conscience de toute marque d'indication Maximum avant réglage

Hebdomadaires

- Vérifier que toutes les roulettes fonctionnent librement et que tous les verrouillages de roues/freins s'activent facilement
- Nettoyez les éventuels résidus et saletés présents sur le produit à l'aide d'un chiffon imprégné d'eau chaude et de savon/détergent doux sans eau de Javel. Séchez avant utilisation.

Mensuellement

- Tous les boulons, vis et écrous de ce produit doivent être vérifiés et resserrés pour éviter tout risque superflu
- Graisser les parties pivotantes. Un système lubrifiant professionnel par est recommandé

Annuellement

- Inspecter le châssis en vue de déceler d'éventuelles fissures et appliquer la liste de contrôle. Ne jamais utiliser un produit qui présente des défauts. Merci de se référer à la liste de contrôle

Lavage en machine

Ce produit peut être lavé pendant 10 minutes à 60°, à l'aide d'un détergent doux ou d'un désinfectant sans chlore, dans une machine conçue pour les appareils médicaux. Laissez sécher le produit avant de le réutiliser.

Désinfection

Le produit peuvent être désinfectés avec une solution d'AIP à 70 %. Il est recommandé de nettoyer les éventuels résidus et salissures présents sur le produit à l'aide d'un chiffon imprégné d'eau chaude et de savon/détergent doux sans eau de Javel et de laisser sécher avant désinfection.

Fréquence d'entretien

Une inspection détaillée du produit doit être faite tous les 12 mois (tous les 6 mois lors d'un usage intensif) de même qu'à chaque fois que l'appareil est redistribué. L'inspection doit être faite par un technicien compétent ayant été formé à l'utilisation de cet appareil. Contacter votre revendeur pour les indications de réparation.

Liste de vérification lors de l'entretien :

Vérifier et régler les fonctions suivantes en fonction de leur utilisation prévue. Réparer et remplacer toutes les pièces endommagées ou usées. Vérifier :

- La hauteur du cadre peut être réglée à l'aide de la roue cannelée
- Toutes les fixations sont en bon état
- Réglage du siège. Le siège peut être réglé et reste en position après avoir été ajusté.
- Le vérin à gaz pour l'inclinaison du siège est réglé correctement. Il est possible de verrouiller le siège en position
- que les roulettes bougent librement et tous les verrous des roues/freins sont actionnés facilement.
- que les écrous et boulons sont serrés sur le produit ;
- les signes d'usure des raccords et boucles ;
- les craquelures du produit et signes d'usure des pièces ;
- que toutes les étiquettes du produit sont intactes ;

ITALIANO

Grazie per aver scelto un nuovo prodotto R82, fornitore a livello mondiale di ausili e applicazioni tecnologiche per bambini e adulti con bisogni speciali. Per beneficiare appieno delle possibilità offerte da questo prodotto, leggere questo Manuale d'uso prima dell'utilizzo e conservarlo per riferimenti futuri.

Destinazione

Il dispositivo è un telaio per sistemi di seduta per bambini e adulti con disabilità.

Indicazioni

Il dispositivo viene utilizzato insieme a un sistema di seduta (ad es. un sistema di seduta modulare come R82 x:panda o R82 Panda Futura). Può essere utilizzato da bambini e adulti con disabilità che non sono in grado di mantenere una posizione seduta e muoversi (all'interno della stanza o tra una stanza e l'altra/ all'esterno) senza un dispositivo di assistenza. Il gruppo di destinatari del dispositivo varia in base alle capacità funzionali e all'antropometria e non in base a una condizione di salute specifica o all'età.

L'utente è la persona che occupa la seduta utilizzata con il telaio. Per assistente si intende la persona che aziona il telaio. Non lasciare mai l'utente incustodito su questo prodotto. Assicurarsi che l'utente sia sempre sorvegliato da un assistente. L'uso del dispositivo può essere interrotto più volte durante la giornata, quando l'utente è sdraiato, in piedi o seduto su un altro dispositivo assistito o su un altro prodotto convenzionale.

Controindicazioni

Non vi sono controindicazioni note

Precauzioni

Non vi sono precauzioni note

Aree di applicazione

Il prodotto è destinato all'uso in interni



Dichiarazione di conformità

Questo prodotto è conforme ai requisiti del Regolamento dispositivi medici (2017/745). Qualora il prodotto fosse modificato, utilizzato in combinazione con un prodotto di un altro produttore o utilizzato con ricambi e accessori non originali R82, il marchio CE deve essere rimosso. Inoltre, questo prodotto è conforme ai requisiti secondo:

- EN 12182
- Il marchio CE deve essere rimosso quando:
 - Si rimodella il prodotto
 - Si utilizza il prodotto al di fuori dello scopo previsto e della dichiarazione di conformità
 - Si utilizzano ricambi e accessori non originali R82

Quando si combina il dispositivo con altri prodotti, la combinazione non deve cambiare lo scopo previsto dei prodotti né modificare i prodotti in modo da influire sulla conformità ai requisiti applicabili. La persona/azienda responsabile della combinazione dei prodotti deve garantire l'adempimento ai requisiti applicabili.

Esempi di requisiti applicabili:

- Allineamento del peso dell'utente/massa della combinazione sedile-base, omologazione per il trasporto in veicoli di entrambi i prodotti (ISO16840-4 per il sedile e ISO7176-19 per la base)

- Sicurezza dei materiali (biocompatibilità, infiammabilità), sicurezza meccanica (stabilità, rischi di schiacciamento, interconnessione), sicurezza elettrica



Smaltimento

Quando un prodotto raggiunge la fine della sua vita, deve essere separato in base al tipo di materiali che lo compongono, in modo che le parti possano essere riciclate o smaltite correttamente. Se necessario, si prega di contattare il rivenditore locale per una descrizione precisa di ogni materiale. Si prega di contattare e chiedere informazioni alle autorità locali relativamente alle opzioni disponibili per il riciclaggio nel rispetto dell'ambiente.

Accessori e ricambi

I prodotti R82 possono essere forniti con un'ampia varietà di accessori per soddisfare le esigenze del singolo utente. I pezzi di ricambio possono essere ordinati su richiesta. Gli accessori specifici possono essere cercati sul nostro sito oppure contattando il rivenditore locale per ulteriori informazioni.

R82 Warranty

R82 offre una garanzia di 2 anni su difetti di fabbricazione e dei materiali e 5 anni di garanzia per le rotture delle parti metalliche della struttura, se causate da difetti di saldatura. La garanzia può decadere se la responsabilità del cliente relativa a una cura e/o la manutenzione giornaliera non viene effettuata secondo le linee guida e gli intervalli prescritti da parte del fornitore e/o indicati nel User Guide. Per ulteriori informazioni, fare riferimento alla homepage etac - sezione Download.

La durata di questo prodotto con utilizzo normale è di 8 anni, se tutta la manutenzione e gli interventi vengono effettuati secondo le istruzioni del produttore e testimoniate da documentazione. Il dispositivo può essere riemesso entro la sua durata utile

La garanzia è valida solo nel paese in cui è stato acquistato il prodotto, e se il prodotto può essere identificato dal numero di serie. La garanzia non copre i danni accidentali, compresi i danni causati da uso improprio o negligenza. La garanzia non si estende alle parti consumabili, come ad esempio gli pneumatici o le imbottiture, che sono soggetti a normale usura e necessitano di sostituzioni periodiche.

La garanzia è nulla se non vengono utilizzati accessori e parti originali, o se la manutenzione, la riparazione e l'alterazione del prodotto non sono state effettuate secondo le linee guida e gli intervalli prescritti da parte del fornitore e/o indicati nella User Guide. R82 si riserva il diritto di ispezionare il prodotto del reclamo e la relativa documentazione prima di accettare la richiesta di garanzia e di decidere se sostituire o riparare il prodotto difettoso. È responsabilità del cliente restituire il prodotto per il quale viene richiesto reclamo in garanzia all'indirizzo di acquisto.

Información preventiva

- www.etac.com

Sicurezza

Segni, simboli e istruzioni poste su questo prodotto non devono mai essere coperti o rimossi e devono rimanere presenti e chiaramente leggibili per l'intera vita del prodotto. Sostituire o riparare immediatamente segni, simboli e istruzioni illeggibili o danneggiati. Contattate il vostro rivenditore locale per le istruzioni.

Qualora si verificano eventi avversi correlati al dispositivo, segnalare tempestivamente gli incidenti al rivenditore locale e all'autorità nazionale competente. Il rivenditore locale inoltrerà le informazioni al produttore.

Assistente

- Leggere attentamente le istruzioni prima dell'uso e conservarle per riferimento futuro. L'uso non corretto di questo prodotto può causare gravi lesioni per l'utente
- Questo prodotto contiene componenti di piccole dimensioni che potrebbero costituire un pericolo di soffocamento se rimossi dalla posizione prevista
- Usare sempre le tecniche di sollevamento corrette e gli aiuti per questo scopo
- Non lasciare mai l'utente incustodito su questo prodotto. Assicurarsi che l'utente sia sempre sorvegliato da un assistente.
- Riparazioni/sostituzioni devono essere effettuate utilizzando ricambi e accessori nuovi e originali R82, e devono essere realizzate in conformità con le linee guida e gli intervalli di manutenzione prescritti dal fornitore
- In caso di dubbi relativamente ad un utilizzo in sicurezza continua del prodotto R82 o se qualsiasi sua parte dovesse rompersi, smettere di usare il prodotto immediatamente e contattare il rivenditore locale il più presto possibile
- Accertarsi che le parti mobili non schiaccino o intrappolino parti del corpo durante la regolazione
- Verificare che nessuna parte del corpo resti intrappolata nelle aperture per il montaggio di sostegni/accessori.
- Per maggiori informazioni su telaio, combinazioni del sedile e carico massimo, consultare: etac.com

Ambiente

- Verificare la temperatura della superficie del prodotto prima di farvi salire un utente. Questo vale soprattutto per utenti con la pelle insensibile, che non riescono a percepire il calore. Se la temperatura della superficie supera i 41 °C, lasciare raffreddare il prodotto prima dell'uso
- Usare questo prodotto su una superficie piana e senza ostacoli. Fare attenzione alla ridotta manovrabilità sulle strade scivolose

Utente

- Se l'utente ha peso vicino alla portata massima e/o compie molti movimenti involontari, come ad esempio un dondolio, è consigliato utilizzare il prodotto in una misura più grande e con portata massima più elevata, o considerare un diverso prodotto R82

Prodotto

- Eseguire tutte le regolazioni per il posizionamento dell'utente sul prodotto e il montaggio degli accessori assicurandosi che tutte le manopole, viti e fibbie siano fissate saldamente prima dell'uso. Tenere tutti gli strumenti fuori dalla portata dei bambini
- Attivare i freni prima di posizionare l'utente sul prodotto
- Assicurarsi che il prodotto sia stabile prima di posizionare l'utente
- Si consiglia di avvisare l'utente prima di reclinare la seduta e lo schienale
- Assicurarsi che le ruote sono pienamente operativi e sicuro prima dell'uso
- Controllare il prodotto e tutti i suoi accessori e sostituire eventuali parti usurate prima dell'uso
- Non esporre la molla a gas a pressione o ad alte temperature. Non forare
- Non esporre lo stelo del pistone a gas a graffi ecc. È importante utilizzare un panno o simili per proteggerlo quando si utilizzano degli attrezzi per regolare il pistone a gas
- Questo prodotto non deve essere utilizzato per il trasporto in un autoveicolo. L'utente deve essere posizionato sul sedile dell'auto e il prodotto trasportato nel vano bagagli
- L'utente non deve essere posizionato sul prodotto mentre questo viene trasportato all'interno o all'esterno di un veicolo tramite piattaforma

Informazioni sull'assistenza

La manutenzione di un dispositivo medico è completa responsabilità del proprietario del dispositivo. La mancata manutenzione del dispositivo in conformità con le istruzioni può invalidare la garanzia del dispositivo. Inoltre, la non corretta manutenzione del dispositivo può compromettere la salute o la sicurezza degli utenti e/o dei loro accompagnatori.

Se necessario, contattare il rivenditore locale per assistenza nella configurazione, nell'uso o nella manutenzione del dispositivo.

Primo Giorno

- Leggere le User Guide attentamente prima dell'utilizzo e conservarle in un luogo sicuro per future consultazioni
- Conservare gli attrezzi allegati al prodotto

Quotidiana

- Usare un panno asciutto per pulire il prodotto
- Ispezione visiva. Riparare o sostituire le parti danneggiate o usurate
- Assicurarsi che tutti i dispositivi di fissaggio siano a posto e montati correttamente
- Controllare che non ci siano segnali di parti usurate in tutti i raccordi e le fibbie
- Fare riferimento a tutte le indicazioni di "max" prima di qualsiasi regolazione

Settimanale

- Controllare che tutte le ruote si muovano liberamente e che tutti i dispositivi di bloccaggio e freno delle ruote possano essere facilmente attivati
- Rimuovere con un panno umido e un detergente delicato eventuali residui e lo sporco dal prodotto e far asciugare prima dell'uso

Mensile

- Tutti i dadi e bulloni di questo prodotto devono essere controllati e serrati per evitare danni inutili
- Lubrificare i dispositivi swing-away. Si consiglia di utilizzare un prodotto lubrificante professionale

Annuale

- Controllare il telaio per crepe o segni di parti logorate ed effettuare manutenzione annuale. Non utilizzare mai un prodotto scadente o difettoso

Lavaggio a macchina

Questo prodotto può essere lavato per 10 minuti a 60 °, con un detergente delicato o un disinfettante senza cloro, in una macchina progettata per il lavaggio dei dispositivi medici. Si prega di lasciare asciugare il prodotto prima di riutilizzarlo.

Disinfezione

Il prodotto può essere disinfettato con una soluzione di alcol isopropilico al 70%. Si consiglia di rimuovere i residui di sporizia dal prodotto con un panno inumidito con acqua calda e un detersivo/sapone delicato privo di cloro e lasciar asciugare prima della disinfezione.

Intervalli di manutenzione

Il prodotto deve essere ispezionato in modo dettagliato ogni 12 mesi (ogni 6 mesi per gli utenti di peso elevato) e ogni volta che il prodotto viene regolato nuovamente per l'uso. Il controllo deve essere effettuato da un tecnico competente con formazione specifica per l'utilizzo del prodotto. Contattare il proprio rivenditore locale per le istruzioni di riparazione, come per esempio sistemare una foratura dei pneumatici.

Lista di controllo di assistenza:

Controllare e regolare le funzioni seguenti, in base all'uso previsto. Riparare o sostituire le parti danneggiate o usurate. Controllare:

- È possibile regolare l'altezza del telaio usando l'albero
- Le filettature dei dispositivi di fissaggio sono in buono stato
- Regolazione del piano del sedile. Il piano del sedile è regolabile e rimane in posizione dopo la regolazione.
- La molla a gas per inclinare il sedile è regolata correttamente ed è possibile bloccare il piano del sedile in posizione
- Le ruote piroettanti si muovono liberamente e i blocchi/i freni delle ruote si attivano con facilità
- I dadi e i bulloni sul prodotto sono serrati
- Escludere i segni di usura dalle parti dei montaggi e delle boccole
- Escludere lesioni sul prodotto e segni di usura sulle parti
- Tutte le etichette del prodotto sono intatte

PORTUGUÊS

Agradecemos a sua escolha de um novo produto da R82 - um fornecedor mundial de equipamentos auxiliares técnicos e de aparelhos para crianças e adultos com necessidades especiais. Para tirar o máximo partido das opções oferecidas por este produto, leia este Manual do Utilizador antes da utilização do dispositivo e guarde-o para consulta futura.

Finalidade

O dispositivo é uma estrutura para sistemas de assento para crianças e adultos portadores de deficiência.

Indicações

O dispositivo é utilizado em conjunto com um sistema de assento (ou seja, um sistema de assento modular como R82 x:panda ou R82 Panda Futura). Pode ser utilizado por crianças e adultos portadores de deficiência que não têm a capacidade de manter uma posição sentada e que têm dificuldades de locomoção (no interior da divisão ou entre divisões/exterior) sem um dispositivo auxiliar. O grupo alvo para o dispositivo baseia-se na capacidade funcional e antropometria. Não se baseia numa condição de saúde ou idade específica.

O utilizador é a pessoa sentada no assento utilizado com a estrutura. O prestador de cuidados é a pessoa que opera a estrutura. Nunca deixe o utilizador sem vigilância neste produto. Assegure a supervisão permanente por um prestador de cuidados. A utilização do dispositivo será interrompida mais vezes durante o dia em que o utilizador ficará deitado, de pé ou sentado noutro dispositivo auxiliar ou num produto convencional.

Contraindicações

Não existem contraindicações conhecidas

Precauções

Não existem precauções conhecidas

Áreas de aplicação

O produto destina-se a uma utilização em ambiente interior



Declaração de conformidade

Este produto está em conformidade com os requisitos do regulamento relativo aos dispositivos médicos (2017/745). A marca CE tem de ser retirada quando o produto for reconstruído, quando for utilizado em combinação com um produto de outro fabricante ou quando forem utilizados acessórios e peças sobresselentes que não sejam os originais R82. Além disso, este produto está em conformidade com os requisitos de acordo com:

- EN 12182

A marcação CE tem de ser removida se:

- Reconstruir o produto
- Utilizar o produto fora do âmbito da finalidade prevista e da declaração de conformidade
- Utilizar peças sobresselentes e acessórios que não sejam originais da R82

Ao combinar o dispositivo com outros produtos, a combinação não pode alterar a finalidade prevista para a utilização dos produtos ou modificar os produtos de forma a que a conformidade com os requisitos aplicáveis possa ser afetada. A pessoa/empresa responsável pela combinação dos produtos tem de garantir que os requisitos aplicáveis são cumpridos.

Exemplos de requisitos aplicáveis:

- Alinhamento do peso do utilizador/massa do assento e base combinados, homologação para transporte em veículos de ambos os produtos (ISO 16840-4 para o assento e ISO 7176-19 para a base)

- Segurança do material (biocompatibilidade, inflamabilidade), segurança mecânica (estabilidade, perigos de compressão, interligação), segurança elétrica

Eliminação

Quando um produto atinge o fim do seu tempo de vida útil, este deve ser separado por tipo de materiais para que as peças possam ser recicladas ou eliminadas corretamente. Se necessário, queira contactar o seu revendedor local para obter a descrição exata de cada material. Queira contactar as suas autoridades locais para se informar das opções disponíveis para reciclagem de forma a ser um procedimento ecológico.



Acessórios e peças sobresselentes

Os produtos R82 podem ser fornecidos com uma variedade de acessórios que satisfazem as necessidades do utilizador individualmente. As peças sobresselentes podem ser obtidas mediante pedido. Queira encontrar acessórios específicos na nossa página da internet ou contacte o seu revendedor local para mais informações.

Garantia R82

R82 oferece 2 anos de garantia relativa a defeitos de fabrico e nos materiais e 5 anos de garantia relativa à rotura da estrutura em metal causada por defeitos nas soldas. A garantia será afetada de forma adversa se o cliente não cumprir a sua responsabilidade de reparar e/ou realizar a manutenção diária de acordo com as orientações e os intervalos determinados pelo fornecedor e/ou dispostos no User Guide. Queira visitar a página da etac na internet e proceder aos respetivos downloads para obter mais informações.

O tempo de vida útil deste produto é normalmente de 8 anos se for bem conservado e se se realizar a manutenção necessária de acordo com as instruções do fabricante e com registo documentado. O dispositivo pode ser reabilitado durante o seu tempo de vida útil.

A garantia apenas é válida no país onde o produto foi adquirido e se o produto puder ser identificado pelo seu número de série. A garantia não cobre danos acidentais, incluindo danos provocados por utilizações indevidas ou por atos de negligência. A garantia não é extensiva a consumíveis, por exemplo, pneus ou artigos estofados, que estão sujeitos ao desgaste normal através do seu uso e que precisam de ser periodicamente substituídos.

A garantia é nula e fica sem efeito se forem utilizados outros acessórios/peças que não sejam originários da R82, ou se o produto não tiver sido conservado, reparado ou modificado de acordo com as indicações e os intervalos determinados pelo fornecedor e/ou dispostos no User Guide (guia do utilizador). A R82 reserva-se o direito de inspecionar o produto reclamado e a documentação relevante antes de aceitar a reivindicação de garantia, e de decidir se deve substituir ou reparar o produto com defeito. É responsabilidade do cliente devolver o produto reivindicado sob garantia no endereço onde o adquiriu.

Informação pré-venda

- www.etac.com

Segurança

Os sinais, os símbolos e as instruções existentes neste produto não podem ser cobertos ou removidos e têm de permanecer bem legíveis ao longo de todo o tempo de vida útil do produto. Substitua ou repare imediatamente os sinais, os símbolos e as instruções ilegíveis ou danificados. Contacte o seu revendedor local para obter instruções.

No caso de ocorrência de um evento adverso em relação ao dispositivo, os incidentes devem ser comunicados ao seu revendedor local e à autoridade nacional competente em tempo oportuno. O revendedor local reencaminhará as informações ao fabricante.

Prestador de cuidados

- Leia todas as instruções e o User Guide atentamente antes de utilizar o produto e conserve-as para futura consulta. A utilização incorreta deste produto pode provocar ferimentos graves ao utilizador
- Este produto contém pequenas peças que podem apresentar risco de asfixia se forem retiradas do seu respetivo local
- Utilize sempre as técnicas de elevação corretas e os aparelhos auxiliares para este efeito
- Nunca deixe o utilizador sem vigilância neste produto. Assegurar a supervisão permanente por um prestador de cuidados
- É impreterível realizar os trabalhos de reparação/substituição com base na utilização de novas peças sobresselentes e ferragens originárias da R82 e de acordo com as orientações e os intervalos de manutenção determinados pelo fornecedor
- Se tem dúvidas relativas à segurança em continuar a utilizar o seu produto R82 ou se alguma das peças falhar, pare de utilizar este produto imediatamente e contacte o seu revendedor local o mais rapidamente possível
- Certifique-se de que as peças móveis não apertam nem prendem as partes do corpo ao ajustá-las
- Certifique-se de que nenhuma parte do corpo fica presa nas aberturas para montagem de apoios/acessórios.
- As informações relacionadas com as combinações de estrutura e assento, incluindo a combinação da carga máxima, podem ser encontradas em: etac.com

Ambiente

- Observe a temperatura da superfície do produto antes de colocar um utilizador no seu interior. Esta observação aplica-se aos utilizadores com pele sem sensibilidade, uma vez que não conseguem sentir o calor. Se a temperatura de superfície for superior a 41 °C, permita que o produto arrefeça antes de utilizar
- Utilize este produto em superfícies sem quaisquer obstáculos. Esteja atento a manobras de reduções em percursos escorregadios

Utilizador

- Se o utilizador se aproximar do peso máximo e/ou fizer muitos movimentos involuntários como, por exemplo, balançar, deve considerar-se um tamanho maior que suporte mais peso ou um produto R82 diferente

Produto

- Realize todos os ajustes em termos de posição no produto e nos acessórios e assegure-se de que todos os puxadores, parafusos e fivelas estão bem apertados antes de utilizar. Mantenha todos os instrumentos fora do alcance das crianças
- Ative os travões antes de acomodar o utilizador no produto
- Certifique-se de que é mantida a estabilidade do produto antes de acomodar o utilizador no mesmo
- Recomendamo-lo para avisar o utilizador antes de reclinar o assento ou o encosto
- Verifique se as rodas se encontram totalmente funcionais e seguras antes do seu uso
- Inspeccione o produto e todos os seus acessórios e substitua quaisquer peças gastas antes de utilizá-lo
- Não exponha a mola a pressão ou a altas temperaturas. NÃO perfure.
- Não exponhas a biela a arranhões, etc. É importante a utilização dum pano ou semelhante, se as ferramentas forem utilizadas para ajustar a mola e gás
- Este produto não se adequa para acomodar o utilizador num veículo automóvel. O utilizador tem de ser acomodado numa cadeira auto própria e o produto guardado no compartimento da mala
- O utilizador não pode ser acomodado no produto enquanto é transportado para dentro ou para fora de um veículo com rampa elevatória

Informações do serviço

A manutenção de um dispositivo médico é da total responsabilidade do proprietário desse dispositivo. A não realização da manutenção de um dispositivo de acordo com as instruções pode invalidar a garantia sobre o dispositivo. Além disso, se não realizar a manutenção de um dispositivo, poderá comprometer a condição clínica ou a segurança dos utilizadores e/ou seus prestadores de cuidados.

Contacte o revendedor local para obter assistência, se necessário, na configuração, utilização ou manutenção do dispositivo.

Primeiro dia

- Leia as User Guide atentamente antes de utilizar o produto e guarde-as em local seguro para futura consulta
- Guarde as ferramentas juntamente fornecidas no produto

Diariamente

- Utilize um pano seco para limpar o produto
- Inspeção visual. Repare ou substitua quaisquer peças danificadas ou gastas
- Certifique-se de que todos os fechos estão no sítio e corretamente engatados
- Verifique em todas as ferragens e fivelas se há peças com sinais de desgaste
- Esteja ciente de quaisquer marcas indicadoras de "máx." antes de ajustar

Semanalmente

- Verifique se todos os rodízios se movem sem problemas e se todos os travões/bloqueios de rodas podem ser facilmente ativados
- Limpe quaisquer resíduos e sujidade do produto utilizando um pano embebido em água quente e com um detergente/sabão suave, sem cloro, e seque antes de utilizar.

Mensalmente

- Todas as porcas e parafusos deste produto devem ser verificadas e apertadas para evitar problemas desnecessários
- Lubrifique as peças oscilantes. Recomendamos que utilize um sistema lubrificante profissional como

Anualmente

- Inspeccione o quadro quanto à existência de fissuras ou peças com sinais de desgaste e proceda à sua manutenção anual. Nunca utilize um produto que aparentemente não cumpra as normas ou esteja deficiente

Lavagem na máquina de lavar roupa

Este produto pode ser lavado por 10 minutos a 60°, utilizando um detergente neutro e desinfetante sem cloro, numa lavagem de máquina unicamente destinada a estes dispositivos médicos. Por favor deixe o produto secar antes de utilizar.

Desinfecção

O produto pode ser desinfetado com uma solução IPA desinfetante a 70%. Recomendamos que limpe quaisquer resíduos e sujidade do produto utilizando um pano embebido em água quente e com um detergente/sabão suave, sem cloro, e seque antes de desinfetar.

Intervalos de manutenção

Deve ser realizada uma inspeção detalhada do produto de 12 em 12 meses (e de 6 em 6 meses para utilizadores pesados) e sempre que o produto for relançado para utilização. A inspeção deve ser realizada por um profissional técnico competente que tenha realizado formação na utilização deste produto. Contacte o seu representante local para instruções ou reparações.

Lista de verificação do serviço:

Verifique e ajuste as seguintes funções de acordo com a sua utilização prevista. Repare ou substitua quaisquer peças danificadas ou gastas. Verifique:

- É possível ajustar a altura da armação utilizando um fuso
- As roscas dos fixadores devem estar em bom estado
- Ajuste do plano de assento. Pode-se ajustar o plano do assento, o qual permanecerá no lugar após o ajuste.
- A mola pneumática da inclinação do assento está corretamente ajustada, sendo possível bloquear a posição do plano do assento
- Se os rodízios se movimentam livremente e todos os bloqueios/travões das rodas são ativados facilmente
- Se as porcas e parafusos no produto estão apertados
- Se os encaixes e fivelas mostram sinais de desgaste
- Se o produto mostra fendas ou sinais de desgaste
- Se todas as etiquetas no produto estão intactas

PORTUGUÊS DO BRASIL

Agradecemos por você ter escolhido um novo produto da R82, fornecedora mundial de acessórios e dispositivos técnicos para crianças e adultos portadores de necessidades especiais. Para aproveitar ao máximo as opções oferecidas por esse produto, leia este Guia do Usuário antes do uso e guarde-o para consultas futuras.

Uso pretendido

O dispositivo é uma estrutura para sistemas de assento para crianças e adultos com deficiências.

Indicações

O dispositivo é usado em conjunto com um sistema de assento (ou seja, um sistema de assento modular como R82 x:panda ou R82 Panda Futura). Ele pode ser usado por crianças e adultos com deficiências e que não tenham a capacidade de manter uma posição sentada e de se movimentar (dentro de um recinto ou entre recintos/ao ar livre) sem um dispositivo de assistência. O grupo-alvo do dispositivo se baseia na capacidade funcional e na antropometria. Ele não é baseado em uma condição de saúde ou idade específica.

O usuário é a pessoa que senta no assento usado com a estrutura. O cuidador é a pessoa que opera a estrutura. Nunca deixe o usuário sem supervisão nesse produto. Garanta supervisão permanente realizada por um cuidador. O uso do dispositivo será interrompido mais vezes durante o dia quando o usuário estiver deitado, em pé ou sentado em outro dispositivo de assistência ou em um produto convencional.

Contraindicações

Não há contraindicações conhecidas

Precauções

Não há precauções conhecidas

Áreas de aplicação

O produto deve ser usado em áreas internas



Declaração de conformidade

Este produto está em conformidade com os requisitos da Regulamentação de Dispositivos Médicos (2017/745). A marca CE deve ser removida quando o produto for reconstruído, quando for utilizado em conjunto com um produto de outro fabricante ou quando forem utilizadas peças de reposição e conexões R82 que não sejam originais. Além disso, este produto está em conformidade com os requisitos relacionados a:

- EN 12182

A marca CE precisa ser removida ao:

- Reconstruir o produto
- Usar o produto de maneira diferente da finalidade pretendida e da declaração de conformidade
- Usar peças de reposição e acessórios que não sejam originais da R82

Ao combinar o dispositivo com outros produtos, essa combinação não deve alterar a finalidade pretendida dos produtos, nem modificá-los de maneira que possa afetar a conformidade com os requisitos aplicáveis. A pessoa/empresa responsável pela combinação de produtos precisa garantir que os requisitos aplicáveis sejam cumpridos.

Exemplos de requisitos aplicáveis:

- Alinhamento do peso do usuário/massa do assento e base combinados, aprovação para transporte em veículos de ambos os produtos (ISO16840-4 para assento e ISO7176-19 para base)

- Segurança de materiais (biocompatibilidade, inflamabilidade), segurança mecânica (estabilidade, riscos de esmagamento, interconexão), segurança elétrica



Descarte

Quando um produto atinge o fim de sua vida útil, ele deve ser separado de acordo com o tipo de material, para que suas peças possam ser recicladas ou descartadas corretamente. Se necessário, contate o seu revendedor local para obter uma descrição precisa de cada material. Contate as autoridades de sua região para informar-se das opções disponíveis de reciclagem ecológica.

Acessórios e peças de reposição

Os produtos da R82 podem ser fornecidos com uma gama de acessórios que atendem às necessidades do usuário individual. As peças de reposição podem ser encomendadas sob solicitação. Encontre os acessórios específicos em nosso site ou contate seu revendedor local para maiores informações.

Garantia da R82

A R82 oferece uma garantia de dois anos contra defeitos de fabricação e materiais e uma garantia de cinco anos contra rupturas da estrutura de metal causadas por defeitos em suas soldas. A garantia pode ser afetada negativamente se a responsabilidade do cliente pelo conserto e/ou manutenção diária não for praticada de acordo com as instruções e intervalos descritos pelo fornecedor e/ou conforme descrito no User Guide. Para maiores informações, consultamos a página inicial da etac, na aba download.

Em condições normais de uso, a vida útil deste produto é de 8 anos, caso a manutenção e reparo sejam feitos de acordo com as instruções do fabricante e estejam comprovadamente registrados. O dispositivo pode ser reconicionado durante sua vida útil

A garantia somente poderá ser mantida se o produto R82 estiver sendo utilizado no mesmo país onde foi adquirido e se puder ser identificado pelo seu número de série. A garantia não cobre danos acidentais, incluindo aqueles causados por uso incorreto ou descuido. A garantia não se estende a itens consumíveis, tais como pneus ou estofamento, que estão sujeitos a desgaste normal e precisam de substituição periódica.

A garantia será anulada caso outras peças/acessórios que não sejam os originais sejam usados, ou caso o produto não tenha sido mantido, consertado ou alterado de acordo com as orientações e intervalos prescritos pelo fornecedor e/ou dispostos no Guia do Usuário (User Guide). A R82 reserva-se o direito de inspecionar o produto sob reclamação e a documentação relevante antes de concordar com o pedido de garantia, além de decidir se substituirá ou consertará o produto defeituoso. O consumidor é responsável por retornar o item sob reclamação que encontra-se na garantia para o endereço de compra.

Informações pré-vendas

- www.etac.com

Segurança

Os sinais, símbolos e instruções colocados neste produto nunca devem ser cobertos ou removidos, devendo estar presentes e claramente legíveis durante toda a sua vida útil. Substitua ou conserte imediatamente sinais, símbolos e instruções ilegíveis ou danificados. Entre em contato com o seu revendedor local para maiores instruções.

Caso ocorra um evento adverso relacionado ao dispositivo, os incidentes devem ser comunicados ao seu revendedor local e à autoridade nacional competente em tempo hábil. O revendedor local encaminhará as informações ao fabricante.

Prestador de cuidados

- Leia todas as instruções cuidadosamente antes de utilizar o produto e guarde-as para futura referência. O uso incorreto deste produto pode causar sérios acidentes ao usuário
- Este produto contém peças pequenas, que podem apresentar risco de asfixia se forem removidas de seu local original
- Utilize sempre as técnicas e auxílios de elevação corretos para tal fim
- Nunca deixe o usuário sem supervisão no produto. Garanta supervisão permanente realizada por um cuidador.
- Consertos/substituições somente devem ser feitos utilizando-se peças e acessórios novos e originais da R82 e executados de acordo com as instruções e intervalos de manutenção sugeridos pelo fornecedor
- Se houver quaisquer dúvidas quanto ao uso continuado de seu produto R82 ou se qualquer uma das peças falhar, pare imediatamente de utilizar o produto e contate o seu revendedor local assim que possível
- Certifique-se de que as peças móveis não apertem ou prendam partes do corpo ao serem ajustadas
- Certifique-se de que as partes do corpo não estejam presas nas aberturas de montagem dos suportes/acessórios.
- Informações sobre as combinações de estrutura e assento, incluindo carga máxima a ser combinada, pode ser encontrada em: etac.com

Ambiente

- Verifique a temperatura da superfície do produto antes de deixar o usuário entrar. Isso vale especialmente para usuários com falta de sensibilidade cutânea, o que pode afetar sua percepção de calor. Caso a temperatura da superfície esteja acima de 41° C, espere o produto esfriar um pouco antes de usá-lo.
- Use este produto em uma superfície nivelada e sem quaisquer obstáculos. Tenha cuidado ao utilizá-lo em superfícies escorregadias

Usuário

- Se o usuário estiver próximo do limite máximo de carga e/ou realizar muitos movimentos involuntários, tal como balançar-se, deve-se considerar um produto de maior tamanho ou com uma carga máxima maior, ou mesmo um produto R82 diferente

Produto

- Realize todos os ajustes de posição no produto e acessórios e certifique-se de que todos os botões, parafusos e fivelas estão firmemente presos antes de sua utilização. Mantenha todas as ferramentas longe do alcance de crianças
- Ative os freios antes de colocar o usuário no produto
- Certifique-se de manter a estabilidade do produto antes de colocar o usuário no mesmo
- Nós recomendamos que você avise o usuário que fará a inclinação do assento ou encosto antes de iniciá-la
- Certifique-se de que os rodízios estejam totalmente funcionais e seguros antes de usar
- Inspeccione o produto e todos os seus acessórios, substituindo quaisquer peças desgastadas antes do uso
- Não deixe o pistão a gás exposto ao sol ou altas temperaturas. NÃO perfure
- Não exponha o pistão à arranhões, etc. É importante utilizar um pano ou algo semelhante quando realizar ajustes com ferramentas no pistão
- Este produto não deve ser colocado em um veículo automotivo. O usuário deve ser posicionado em um assento do veículo e o produto deve ser armazenado no bagageiro
- O usuário não deve ocupar o produto enquanto estiver sendo transportado para dentro ou fora de um veículo através de um elevador

Informações de serviços

A responsabilidade pela manutenção de um equipamento médico é totalmente de seu proprietário. A não-manutenção de um equipamento de acordo com suas instruções pode invalidar a garantia do mesmo. Além disso, a não-manutenção de um equipamento pode comprometer a condição clínica ou a segurança dos usuários e/ou de seus cuidadores.

Se necessário, entre em contato com o distribuidor local para obter assistência para instalar, usar ou realizar a manutenção do dispositivo.

Primeiro dia

- Leia o User Guide cuidadosamente antes de usar o produto e guarde-o em local seguro para consultas futuras
- Armazene as ferramentas incluídas no produto

Diariamente

- Use um pano seco para limpar o produto
- Inspeção visual. Conserte ou substitua quaisquer peças danificadas ou desgastadas
- Certifique-se de que todas as presilhas estão presentes e ajustadas corretamente
- Verifique todos os acessórios e fivelas quanto a sinais de desgaste
- Esteja alerta de quaisquer indicações de marca máxima antes de fazer ajustes

Semanalmente

- Verifique se todas as roldanas movem-se livremente e se todas as travas/freios das rodas são facilmente ativados
- Limpe qualquer resíduo ou sujeira do produto com o uso de um pano umedecido com água quente e detergente / sabão neutro e sem cloro, e seque antes de usar.

Mensalmente

- Todas as porcas e parafusos neste produto devem ser verificados e apertados para evitar quedas desnecessárias
- Lubrifique as peças giratórias. Recomendamos que você utilize um sistema de lubrificação profissional, tal como o lubrificante seco

Anualmente

- Inspeccione a estrutura quanto a rachaduras ou sinais de peças desgastadas e realize a manutenção anual. Nunca utilize um produto que pareça estar abaixo do padrão ou defeituoso

Máquina de lavar

Este produto pode ser lavado por 10 minutos em 60 °, utilizando detergente ou desinfetante sem cloro, em máquinas projetadas para equipamentos médicos. O produto deve estar seco antes de ser utilizado novamente.

Desinfecção

O produto pode ser desinfetado com uma solução de desinfetante IPA a 70%. É recomendável limpar qualquer resíduo e sujeira do produto com um pano umedecido com água quente e detergente/sabão neutro e sem cloro e deixar secar antes da desinfecção.

Intervalo de manutenção

Uma inspeção detalhada do produto deve ser feita a cada 12 meses (ou a cada 6 meses, no caso de usuários pesados) e toda vez que o produto for novamente liberado para uso. A inspeção deve ser feita por uma pessoa tecnicamente competente, que recebeu treinamento sobre o uso do produto. Entre em contato com seu distribuidor local para instruções sobre reparos.

Lista de verificação de serviço:

Verifique e ajuste as funções a seguir, de acordo com seu uso pretendido. Repare ou substitua quaisquer peças gastas ou danificadas. Verifique:

- A altura da armação pode ser ajustada usando o fuso
- As roscas para os parafusos estão em boas condições
- Ajuste do plano do assento. O plano do assento é ajustável e permanece na posição após o ajuste.
- A mola a gás para a inclinação do assento está ajustada corretamente e é possível travar o plano do assento na posição
- Se os rodízios estão se movendo livremente e todos os freios/travas da roda sejam facilmente ativados
- Que as porcas e os parafusos do produto estejam apertados
- Os sinais de desgaste nas peças das conexões e nas fivelas
- Se há fissuras ou sinais de peças gastas no produto
- Se todos os rótulos do produto estão intactos

РОССИЯ

Поздравляем Вас с приобретением Вашего нового изделия от R82 — компании, поставляющей по всему миру технические приспособления и устройства для детей и взрослых со специфическими потребностями. Чтобы в полной мере воспользоваться преимуществами данного изделия, рекомендуется прочитать данное руководство и сохранить его для получения справочной информации в будущем.

Предназначение

Изделие представляет собой вертикализатор-опору для систем посадки, предназначенный для детей и взрослых с ограниченными возможностями.

Предназначение

Изделие используется вместе с системой посадки (например, модульной системой посадки, такой как R82 x-randa или R82 Panda Futura). Оно может использоваться детьми и взрослыми с ограниченными возможностями, которые не могут поддерживать сидячее положение и перемещаться (в пределах комнаты или между комнатами / на открытом воздухе) без вспомогательного оборудования. Данное изделие рассчитано на лиц с определенными функциональными способностями и антропометрическими характеристиками. Состояние здоровья или возраст не имеют принципиального значения.

Пользователем является лицо, сидящее на сиденье, которое используется вместе с вертикализатором-опорой. Лицом, осуществляющим уход, является лицо, которое управляет вертикализатором. Никогда не оставляйте пользователя в данном изделии без присмотра. Со стороны лица, осуществляющего уход, должен быть обеспечен постоянный контроль. В течение дня пользователь будет многократно покидать вертикализатор, чтобы полежать, постоять или посидеть на каком-либо другом вспомогательном оборудовании или на обычной мебели.

Противопоказания

Известные противопоказания отсутствуют

Меры предосторожности

Меры предосторожности неизвестны

Области применения

Изделие предназначено для использования внутри помещений.



Декларация соответствия

Это изделие соответствует требованиям Регламента об устройствах медицинского назначения (2017/745). При переоборудовании изделия, использовании его в сочетании с изделием другого изготовителя или при использовании запасных частей и принадлежностей, отличных от оригинальных деталей R82, маркировка знаком CE должна быть удалена. Кроме того, это изделие соответствует следующим требованиям:

- EN 12182

Маркировка CE должна быть удалена в случае, если:

- Изделие модернизируется
- Изделие используется не по назначению и несообразно с декларацией о соответствии нормативным требованиям
- Не используются оригинальные запчасти и комплектующие R82

В случае когда данное устройство используется совместно с другими изделиями, изделия должны использоваться только по целевому назначению и не должны модифицироваться таким образом, чтобы нарушалась их соответствие применимым требованиям. Лицо или компания, осуществляющие совместное использование изделий, обязаны обеспечить соответствие применимым требованиям.

Примеры применимых требований:

- Выравнивание веса пользователя/общей массы сиденья и основания, разрешение на перевозку обих изделий транспортными средствами (ISO16840-4 для сиденья и ISO7176-19 для основания)

- Безопасность материалов (биосовместимость, воспламеняемость), механическая безопасность (устойчивость, риск защемления, межкомпонентные соединения), электрическая безопасность



Утилизация

По достижении данным изделием окончания срока службы его необходимо разобрать на детали в зависимости от материала, из которого они изготовлены, для того, чтобы впоследствии эти детали можно было переработать или правильно утилизировать. Если необходимо, пожалуйста, обратитесь к дилеру в Вашем регионе для получения точного описания всех материалов. Пожалуйста, обратитесь в региональные органы власти, чтобы узнать об экологически безопасных способах повторной переработки материалов.

Аксессуары и запчасти

Изделия компании R82 могут поставляться с различными аксессуарами, соответствующими определенным нуждам пользователей. Заказ запчастей может осуществляться по запросу. Найдите специальные аксессуары на нашем веб-сайте и свяжитесь с дилером в Вашем регионе для получения дополнительной информации.

Гарантия R82

R82 предлагает 2-летнюю гарантию, которая распространяется на дефекты изготовления и материалов, и 5-летнюю гарантию, которая распространяется на случаи повреждения металлической рамы вследствие дефектов сварки. В случае несоблюдения покупателем его обязательств по обслуживанию и/или ежедневному уходу в соответствии с инструкциями и интервалами, предусмотренными поставщиком и/или указанными в данном руководстве, гарантия будет отменена. Для получения дополнительной информации см. главную страницу веб-сайта компании etac, раздел «Материалы для скачивания».

При нормальной эксплуатации и выполнении технического обслуживания и ухода в соответствии с инструкциями производителя (при условии наглядно зафиксированных данных) срок службы данного изделия составляет 8 лет. Изделие может быть передано другому лицу в течение всего срока службы.

Гарантия действительна только в той стране, где изделие было приобретено, и если возможна идентификация изделия по его серийному номеру. Гарантия не распространяется на случайные повреждения, в том числе повреждения вследствие ненадлежащего или небрежного использования. Гарантия не распространяется на расходные материалы (например, шины и обивку), подверженные естественному износу и требующие периодической замены.

Гарантия аннулируется и становится недействительной в случае, если не используются оригинальные запчасти/аксессуары, или если данное изделие обслуживается, ремонтируется или модифицируется не в соответствии с предписаниями и интервалами, установленными поставщиком и/или указанными в User Guide. установленными поставщиком и/или указанными в инструкциях по использованию. Компания R82 сохраняет за собой право осмотра изделия, по которому предъявляется требование об исполнении гарантии, и соответствующей документации, прежде чем согласиться с обоснованностью претензий по гарантии и принять решение о необходимости замены или ремонта дефектного изделия. Покупатель обязан вернуть изделие, по которому предъявляется требование об исполнении гарантии, по адресу покупки данного изделия. Гарантия предоставляется компанией R82 или, впоследствии, компанией-дилером, распространяющей продукцию R82.

Предпродажная информация

- www.etac.com

Безопасность

Знаки, условные обозначения и инструкции, размещенные на данном изделии, ни в коем случае нельзя закрывать или удалять — они должны оставаться на изделии в читаемом виде на протяжении всего срока его службы. Незамедлительно замените или восстановите знаки, условные обозначения и инструкции, которые были повреждены или стали нечитаемыми. Для получения инструкций обратитесь к дилеру в Вашем регионе.

В случае неблагоприятного события, связанного с использованием его устройства, необходимо своевременно связаться со своим региональным дилером и соответствующим компетентным государственным органом, чтобы сообщить о данном инциденте. Региональный дилер передаст эту информацию производителю.

Лицо, осуществляющее уход за инвалидом

- Перед использованием данного изделия внимательно прочитайте все инструкции и сохраните их для использования в будущем. Неправильное использование данного изделия может стать причиной получения его пользователем серьезных травм
- Это изделие содержит мелкие детали, которые представляют опасность удушья, если не закреплены на месте.
- Для этой цели следует всегда использовать надлежащие методы подъема и соответствующие вспомогательные приспособления
- Никогда не оставляйте пользователя, находящегося внутри изделия, без присмотра. Со стороны лица, осуществляющего уход, должен быть обеспечен постоянный контроль.
- Ремонт/замена компонентов необходимо осуществлять только с использованием новых оригинальных запчастей и приспособлений производства R82, а также в соответствии с предписаниями и интервалами обслуживания, установленными поставщиком
- Если у Вас возникли какие-либо сомнения относительно возможности продолжения безопасного использования Вашего изделия от R82, или в случае потенциального отказа каких-либо его компонентов, незамедлительно приостановите использование данного изделия и как можно скорее свяжитесь с дилером в Вашем регионе
- При регулировке убедитесь в том, что движущиеся детали не сжимают и не защемляют части тела
- Убедитесь, что части тела не защемлены в отверстиях для крепления опор/принадлежностей.
- Информацию о комбинациях рамы и сиденья, включая максимальную нагрузку в комбинации, можно найти здесь: etac.com

Окружающая среда

- а) Перед размещением пользователя в изделии проверьте температуру поверхности изделия. Это особенно важно для пользователей с чувствительной кожей, поскольку они не могут чувствовать жар. Если температура поверхности превышает 41 °C, дайте изделию остыть перед использованием.
- Используйте данное изделие на ровной поверхности

без каких-либо препятствий. Помните о пониженной маневренности на скользкой дороге.

Пользователь

- Если вес пользователя приближается к макс. допустимому для данного изделия и/или пользователь выполняет много произвольных движений, например, раскачивание, следует рассмотреть возможность использования большего по размеру изделия с более высокой макс. нагрузкой по весу или другого изделия от компании R82

Изделие

- Выполните все позиционные регулировки на изделии и аксессуарах, а также удостоверьтесь в том, что все ручки, винты и пражки надежно закреплены перед использованием данного изделия. Храните все инструменты в недоступном для детей месте
- Активируйте тормоза, прежде чем разместить пользователя в данном изделии
- Убедитесь в устойчивости данного изделия, прежде чем разместить в нем пользователя.
- Перед тем, как отклонить спинку или сиденье целиком, сообщите об этом человеку, находящемуся в кресле-коляске.
- Перед использованием убедитесь, что ролики полностью функциональны и безопасны
- Перед использованием осмотрите данное изделие, а также все его аксессуары, и замените все изношенные детали
- Не подвергайте газовый амортизатор воздействию высоких температур и давления. Не прокалывайте его.
- Следите, чтобы на поршневом штоке не появлялись царапины и т.д. Используйте ткань или т.п., если используете инструмент для регулировки газового амортизатора.
- Нельзя размещать пользователя в данном изделии, если оно находится в автомобиле. Пользователя необходимо поместить в автомобильное сиденье, а данное изделие должно находиться в багажном отделении
- Пользователь не должен находиться в данном изделии в момент, когда оно транспортируется в автомобиль или из него посредством подъемного приспособления

Информация об обслуживании

Техническое обслуживание данного медицинского устройства полностью является ответственностью его владельца. Следствием несоблюдения требований в отношении технического обслуживания данного устройства в соответствии с инструкциями может стать аннулирование гарантии по данному устройству. Более того, несоблюдение требований в отношении технического обслуживания данного устройства может поставить под угрозу клиническое состояние или безопасность пользователей и/или лиц, осуществляющих уход за ними.

При необходимости обратитесь к местному дилеру за помощью в настройке, эксплуатации или техническом обслуживании устройства.

1-й день

- Перед использованием данного изделия внимательно прочитайте инструкции по его использованию и сохраните их в надежном месте для последующего использования
- Храните прилагающиеся инструменты на/в изделии

Ежедневно

- Используйте сухую тряпку для очистки данного изделия
- Визуальный осмотр. Отремонтируйте или замените все поврежденные или изношенные детали
- Убедитесь в том, что все крепежные детали на месте и правильно установлены
- Проверьте все приспособления и пружины на предмет изношенных деталей
- Изучите все отметки максимальных уровней перед выполнением регулировки

Еженедельно

- Проверьте, свободно ли двигаются все направляющие ролики и легко ли активируются все фиксаторы колес/ тормоза
- Смоченной в теплой воде с мягким моющим средством/мылом без хлора и отжатой тряпкой вытрите с изделия налет и грязь; вытрите насухо перед использованием

Ежемесячно

- Во избежание ненужных неисправностей все гайки и болты на данном изделии необходимо проверять и затягивать
- Смажьте вращающиеся детали. Мы рекомендуем использовать профессиональную смазочную систему

Ежегодно

- Осмотрите раму на предмет трещин или признаков износа деталей и выполните ежегодное обслуживание. Никогда не используйте изделие, если оно кажется некачественным или неисправным

Обработка рамы

Раму можно мыть в течение 10 минут при 60 °, используя мягкое моющее средство или дезинфицирующее средство без хлора в машине, предназначенной для обработки медицинских изделий. Рама должна быть высушена перед последующим использованием.

Дезинфицирование

Изделие можно дезинфицировать 70%-м дезинфицирующим раствором с изопропиловым спиртом (IPA). Перед дезинфекцией рекомендуется стереть с изделия налет и грязь с помощью ткани, смоченной в теплой воде с мягким моющим средством/мылом без хлора, и высушить его.

Интервал обслуживания

Тщательный осмотр данного изделия необходимо проводить каждые 12 месяцев (каждые 6 месяцев для пользователей с большим весом) и каждый раз при повторном выпуске данного изделия для использования. Осмотр должен осуществляться технически квалифицированным лицом, обладающим знаниями в области использования данного изделия. Обратитесь к местному дилеру для получения инструкций по ремонту.

Контрольный перечень для проведения обслуживания:

Проверить и отрегулировать указанные ниже функции с учетом предполагаемого применения. Отремонтировать или заменить все поврежденные или изношенные детали. Проверить:

- Высоту рамы можно изменять с помощью шпинделя
- Резьба для крепежных элементов находится в хорошем состоянии
- Регулировка плоскости сиденья. Плоскость сиденья можно регулировать, после чего она сохраняет нужное положение.
- Можно точно регулировать пневматическую пружину для наклона сиденья и фиксировать плоскость сиденья в нужном положении.
- свободное движение колес и возможность легко активировать все блокираторы/тормоза колес.
- затянутость гаек и болтов на изделии;
- детали креплений и пружины на наличие признаков износа;
- изделие на наличие трещин или признаков износа;
- целостность всех маркировок на изделии;

POLSKI

Dziękujemy za wybór nowego produktu firmy R82 – globalnego dostawcy środków pomocy technicznej i rozwiązań dla dzieci oraz osób dorosłych ze specjalnymi potrzebami. Aby w pełni wykorzystać możliwości produktu, należy przeczytać niniejszą instrukcję użytkownika i zachować ją do późniejszego użycia.

Przewidziane zastosowanie

Niniejszy produkt jest pionizatorem do foteli dla dzieci i dorosłych z niepełnosprawnością.

Wskazania

Produkt jest używany z fotelikiem (modułowym systemem takim jak R82 xpanda lub R82 Panda Futura). Może być używany przez dzieci i dorosłych z niepełnosprawnością, którzy nie są w stanie utrzymać pozycji siedzącej i poruszać się (w pomieszczeniu lub pomiędzy pomieszczeniami/ na zewnątrz) bez pomocy urządzenia wspomagającego. Grupę docelową użytkowników ustala się na podstawie sprawności czynnościowej i antropometrii. Podstawą nie jest stan zdrowia ani wiek.

Użytkownikiem jest osoba siedząca na siedzisku używanym z pionizatorem. Opiekunem jest osoba obsługująca pionizator. Nigdy nie należy zostawiać użytkownika produktu bez nadzoru. Użytkownik musi znajdować się stale pod nadzorem opiekuna. Korzystanie z produktu będzie przerywane częściej w ciągu dnia, gdy użytkownik będzie przebywał w pozycji leżącej, stojącej lub siedzącej z wykorzystaniem innego sprzętu pomocniczego lub produktu konwencjonalnego.

Przeciwwskazania

Brak znanych przeciwwskazań.

Ostrzeżenia

Brak znanych środków ostrożności.

Obszary użytkowania

Produkt jest przeznaczony do użyciu w pomieszczeniach



Deklaracja zgodności

Produkt jest zgodny z wymaganiami rozporządzenia dotyczącego wyrobów medycznych (2017/745). Znak CE musi zostać usunięty w przypadku przebudowy produktu, używania go w połączeniu z produktem innego producenta lub używania innych niż oryginalne części zamienne oraz wyposażenie firmy R82. Ponadto, produkt ten spełnia następujące wymagania:

- EN 12182
- Znak CE musi zostać usunięty w przypadku:
- przebudowy produktu,
 - używania niezgodnie z przeznaczeniem i deklaracją zgodności,
 - używania innych niż oryginalne części zamienne oraz wyposażenie firmy R82.

Gdy urządzenie jest łączone z innymi produktami, przeznaczenie produktów nie może być zmienione, a produkty nie mogą być modyfikowane w sposób, który mógłby wpłynąć na zgodność z obowiązującymi wymogami. Osoba/firma odpowiedzialna za połączenie tych produktów musi zapewnić spełnienie odpowiednich wymogów.

Przykłady wymogów:

- Ustawienie wagi użytkownika/ ciężaru połączonego siedziska i podstawy, homologacja obu produktów do transportu w pojazdach (ISO16840-4 dla siedziska i ISO7176-19 dla podstawy).

- Bezpieczeństwo materiałowe (biogodność, łatwopalność), bezpieczeństwo mechaniczne (stabilność, zagrożenia zgnieceniem, połączenie między elementami), bezpieczeństwo elektryczne.



Utylizacja

Gdy produkt osiąga kres swojej żywotności, należy go zdemontować dzieląc na rodzaje materiałów, tak aby części mogły zostać poddane recyklingowi lub zutylicowane w odpowiedni sposób. Jeśli wystąpi taka potrzeba, można skontaktować się z lokalnym sprzedawcą, aby precyzyjnie określić każdy rodzaj materiału. Można skontaktować się lokalnymi organami administracji, aby uzyskać informacje dotyczące możliwości poddania produktu recyklingowi w sposób przyjazny dla środowiska.

Aksesoria i części zapasowe

Produkty firmy R82 mogą być dostarczane z różnymi akcesoriami odpowiednimi do potrzeb poszczególnych użytkowników. Części zamienne mogą być dostarczane na zamówienie. Należy odszukać konkretne akcesoria na naszej stronie internetowej lub skontaktować się z lokalnym sprzedawcą, aby uzyskać więcej informacji.

Gwarancja R82

R82 oferuje 2-letnią gwarancję w razie wystąpienia wad wykonania i materiałów oraz 5-letnią gwarancję na uszkodzenie metalowej ramy spowodowane wadliwymi spawami. Gwarancja przestaje obowiązywać, jeśli klient, który jest odpowiedzialny za serwisowanie i/lub codzienną konserwację urządzenia, nie przestrzega wytycznych i terminów określonych przez dostawcę oraz podanych w User Guide. Więcej informacji można uzyskać na stronie internetowej firmy etac w sekcji „download”.

Okres użytkowania urządzenia normalnie trwa 8 lat, jeśli wszystkie czynności konserwacyjne i serwisowe są wykonywane zgodnie z instrukcjami producenta i są one udokumentowane. Produkt może być ponownie przekazany do użytkownika w ciągu całego swojego okresu eksploatacyjnego.

Gwarancja przyznawana jest wyłącznie w kraju, w którym zakupiono produkt oraz jeśli można go zidentyfikować poprzez numer seryjny. Gwarancja nie obejmuje przypadkowych uszkodzeń, w tym szkód wyrządzonych wskutek niewłaściwego użytkowania lub zaniedbania. Gwarancja nie obejmuje również elementów eksploatacyjnych, np. opon lub tapicerki, które podlegają normalnemu zużyciu i należy je okresowo wymieniać.

Gwarancja wygasa w przypadku zastosowania nieoryginalnych części/akcesoriów lub konserwacji, napraw lub przeróbek produktu niezgodnie z wskazówkami i okresami określonymi przez dostawcę i/lub opisany w User Guide. Firma R82 zastrzega sobie prawo do kontroli produktu, który jest reklamowany, oraz odpowiedniej dokumentacji przed uwzględnieniem roszczeń gwarancyjnych oraz decyzją, czy wymienić lub naprawić wadliwy produkt. Do obowiązków klienta należy zwrot produktu, wobec którego wnosi roszczenie gwarancyjne, pod dany adres, gdzie zostało zakupione.

Informacje dotyczące przedsprzedaży

- www.etac.com

Bezpieczeństwo

Oznaczeń, symboli i instrukcji umieszczonych na produkcie nie wolno zastępować ani usuwać; muszą one być obecne i czytelne przez cały czas użytkowania produktu. Nieczytelne lub zniszczone oznaczenia, symbole lub instrukcje należy natychmiast wymienić. W tej sprawie należy się skontaktować z lokalnym sprzedawcą.

W przypadku wystąpienia zdarzenia niepożądanego w związku z urządzeniem należy to zgłosić w odpowiednim czasie do lokalnego sprzedawcy i właściwego organu krajowego. Lokalny sprzedawca przekaze informacje producentowi.

Opiekun

- Przed rozpoczęciem użytkowania urządzenia należy dokładnie przeczytać wszystkie instrukcje oraz zachować je do przyszłego użytku. Nieprawidłowe użytkowanie produktu może spowodować poważne obrażenia użytkownika
- Ten produkt zawiera małe części, które mogą stanowić zagrożenie udławieniem, jeśli zostaną usunięte z miejsca, w którym zostały umieszczone
- Przy podnoszeniu zawsze należy stosować odpowiednie techniki i środki
- Nigdy nie należy pozostawiać użytkownika podtrzymwanego przez produkt bez opieki. Użytkownik musi znajdować się stale pod nadzorem opiekuna.
- Naprawy/wymiany części muszą być wykonywane wyłącznie przy użyciu nowych, oryginalnych części R82 oraz zgodnie z wytycznymi i okresami konserwacji zalecanymi przez dostawcę
- Jeżeli istnieje jakakolwiek wątpliwość co do dalszego bezpiecznego korzystania z produktu R82, albo uszkodzą się jakieś części, należy przerwać użytkowanie produktu i jak najszybciej skontaktować się z lokalnym sprzedawcą
- Należy uważać, aby podczas regulacji ruchome komponenty nie ucisnęły ani nie zablokowały żadnej części ciała
- Upewnij się, że części ciała użytkownika nie znajdują się w otworach służących do mocowania elementów podtrzymujących/akcesoriów.
- Informacje na temat kombinacji ramy i siedziska, w tym maksymalnych dopuszczalnych obciążeń, znajdują się na stronie internetowej: etac.com

Środowisko

- Należy zwrócić uwagę na temperaturę powierzchni produktu przed umieszczeniem w nim użytkownika. Dotyczy to przede wszystkim użytkowników ze skórą niewrażliwą na temperaturę. Jeśli temperatura powierzchni produktu jest wyższa niż 41 °C, przed użyciem należy poczekać, aż ulegnie obniżeniu
- Produktu należy używać na równiej powierzchni, na której nie ma żadnych przeszkód. Należy pamiętać o ograniczonej zwrotności na śliskich nawierzchniach

Użytkownik

- Jeśli ciężar użytkownika jest bliski maksymalnemu obciążeniu urządzenia i/lub wykonuje wiele mimowolnych ruchów, np. kołysanie, należy rozważyć większe urządzenie o wyższym dopuszczalnym obciążeniu lub inny produkt R82

Produkt

- Należy wykonać wszystkie ustawienia pozycji produktu i akcesoriów oraz sprawdzić przed rozpoczęciem użytkowania, czy wszystkie pokrętki, śruby i klamry są prawidłowo przymocowane. Wszystkie narzędzia należy trzymać poza zasięgiem dzieci
- Przed umieszczeniem użytkownika w urządzeniu należy włączyć hamulce
- Przed umieszczeniem w nim użytkownika należy upewnić się, czy urządzenie jest stabilne
- Zalecamy poinformować użytkownika o zmianie kąta siedziska i oparcia
- Przed użyciem upewnij się, że koła są w pełni sprawne i prawidłowo zamontowane
- Przed użyciem należy sprawdzić urządzenie i wszystkie akcesoria oraz wymienić zużyte części
- Nie wystawiać dźwigni gazowej na działanie ciśnienia lub wysokie temperatury. Nie przekłuwać
- Nie wystawiać trzona tłoka na zarysowania itp. Ważne jest, aby użyć szmatki, jeżeli korzystamy z narzędzi do regulacji dźwigni gazowej
- Urządzenie nie może być używane w pojazdach mechanicznych. Użytkownika należy posadzić na siedzeniu pojazdu, a urządzenie włożyć do bagażnika
- Użytkownik nie może przebywać w urządzeniu, gdy jest ono wnoszone do pojazdu lub wnoszone z niego za pomocą tylnej platformy załadunkowej

Informacje dotyczące czynności serwisowych

Obowiązek konserwacji urządzenia medycznego leży całkowicie po stronie jego właściciela. Brak wykonywania konserwacji urządzenia zgodnie z instrukcją może spowodować utratę gwarancji. Ponadto może zagrazić warunkom klinicznym i bezpieczeństwu użytkowników lub ich opiekunów.

W razie potrzeby należy skontaktować się z lokalnym dystrybutorem w celu uzyskania pomocy dotyczącej konfiguracji, użytkowania lub konserwacji produktu.

Pierwszy dzień

- Przed rozpoczęciem użytkowania dokładnie przeczytać instrukcję obsługi dla użytkownika i przechowywać ją w bezpiecznym miejscu do późniejszego użycia
- Dołączone narzędzia przechowywać z produktem lub w jego pobliżu

Codziennie

- Wycisnąć produkt suchą szmatką
- Dokonać inspekcji wizualnej. Naprawić lub wymienić uszkodzone lub zużyte części
- Sprawdzić, czy wszystkie mocowania znajdują się na miejscu i są poprawnie przytwierdzone
- Sprawdzić wszystkie mocowania i klamry pod kątem występowania oznak zużycia części
- Zachować ostrożność podczas regulacji, aby nie przekraczać oznaczeń ustawień maksymalnych

Co tydzień

- Sprawdzić, czy wszystkie kółka swobodnie się obracają i czy wszystkie blokady/hamulce łatwo się włącza
- Należy zetrzeć wszelkie pozostałości i zanieczyszczenia z powierzchni produktu za pomocą szmatki zamoczonej w ciepłej wodzie bez chloru z dodatkiem łagodnego detergentu/mydła, a następnie osuszyć przed użyciem.

Co miesiąc

- Sprawdzić wszystkie śruby i nakrętki w urządzeniu i dokręcić je, aby uniknąć niepotrzebnych uszkodzeń
- Nasmarować wszystkie ruchome części. Zalecamy stosowanie profesjonalnego systemu smarowania

Co roku

- Skontrolować ramę pod kątem występowania pęknięć lub oznak zużycia części oraz wykonać coroczny serwis. Nie wolno używać urządzenia, które wydaje się nie spełniać norm lub jest uszkodzone

Urządzenie do mycia

Produkt ten może być myty przez 10 minut w temperaturze 60o, używając delikatnego detergentu lub środka dezynfekującego bez dodatku chloru w maszynie zaprojektowanej do mycia urządzeń medycznych. Przed ponownym użytkowaniem produkt musi wyschnąć.

Dezynfekcja

Produkt może zostać poddany dezynfekcji z wykorzystaniem środka dezynfekującego w postaci 70% roztworu izopropanolu. Zaleca się usunięcie wszelkich pozostałości i zanieczyszczeń

Okresy serwisowania

Szczegółową kontrolę urządzenia należy przeprowadzać co 12 miesięcy (co 6 miesięcy w przypadku ciężkich użytkowników) oraz za każdym razem, gdy urządzenie zostanie ponownie przystosowane do użytku. Kontrola powinna być przeprowadzana przez kompetentną osobę, wyszkoloną w zakresie użytkowania urządzenia. Skontaktuj się z lokalnym dystrybutorem w sprawie instrukcji.

Lista kontrolna czynności serwisowych:

Należy sprawdzić i odpowiednio wyregulować następujące funkcje zgodnie z ich przeznaczeniem. Uszkodzone lub zużyte części muszą zostać naprawione lub wymienione. Należy sprawdzić:

- Wysokość ramy można regulować przy użyciu trzpienia obrotowego.
- Gwinty elementów mocujących są w dobrym stanie.
- Regulacja płaszczyzny siedziska. Siedzisko jest regulowane i utrzymuje swoją pozycję po regulacji.
- Sprężyna gazowa do przechylania siedziska jest wyregulowana prawidłowo i możliwe jest zablokowanie pozycji siedziska.
- Należy upewnić się, że przednie koła poruszają się płynnie, a zaciągnięcie blokady kół/hamulców nie wymaga dużego nakładu siły.
- Nakrętki i śruby w obrębie produktu pod kątem prawidłowego dokręcenia.
- Mocowania i klamry pod kątem zużytych części.
- Stan techniczny produktu pod kątem pęknięć lub oznak zużycia części.
- Wszystkie etykiety na produkcie pod kątem oznak ich naruszenia.

ČESKY

Vážíme si toho, že jste si vybrali nový produkt společnosti R82 - globálního dodavatele technických pomůcek a zařízení pro děti a dospělé se zvláštními potřebami. Abyste mohli plně využít možností, které tento produkt nabízí, přečtěte si prosím tuto příručku pro uživatele a uložte si ji, abyste se k ní mohli v budoucnu vrátit.

Určeným účelem

Toto zařízení tvoří rám pro sedací systémy, určené pro děti a dospělé s postižením.

Indikace

Zařízení se používá společně se sedacím systémem (tj. s modulárním sedacím systémem, jako je R82 x:panda nebo R82 Panda Futura). Lze je používat u dětí a dospělých s postižením, kteří nejsou schopni vydržet v poloze vsedě a pohybovat se (v místnosti nebo mezi místnostmi / venku) bez pomocného zařízení. Cílová skupina tohoto zařízení je určena funkční schopností a antropometrií. Není určena specifickým zdravotním stavem nebo věkem.

Uživatelé je osoba sedící v sedačce, která se s rámem používá. Pečovatelem je osoba, která rám obsluhuje. Nikdy nenechávejte uživatele umístěného v tomto produktu bez dozoru. Zajistěte stálý dohled pečovatele. Používání prostředku se během dne několikrát přerušit, když bude uživatel ležet, stát nebo sedět v jiném podpůrném zařízení nebo konvenčním produktu.

Kontraindikace

Žádné kontraindikace nejsou známy.

Výstraha!

Žádná bezpečnostní opatření nejsou známa

Oblasti použití

Produkt je určen k použití v interiéru.



Prohlášení o shodě

Tento výrobek splňuje požadavky nařízení Evropského parlamentu a Rady 2017/745 o zdravotnických prostředcích. Značka CE musí být odstraněna při přestavbě výrobku, při jeho užití v kombinaci s výrobkem jiného výrobce nebo při použití jiných než původních náhradních a spojovacích dílů R82. Tento výrobek rovněž splňuje požadavky v souladu s:

- EN 12182

Značka CE se musí odstranit v těchto případech:

- Při přestavbě produktu
- Při používání výrobku mimo určený účel a prohlášení o shodě
- Při použití jiných než originálních náhradních dílů a příslušenství R82

Při kombinaci zařízení s jinými produkty nesmí kombinace změnit účel použití produktů ani upravit produkty tak, aby mohlo dojít k ovlivnění shody s platnými požadavky. Osoba/společnost odpovědná za kombinaci výrobků musí zajistit splnění příslušných požadavků.

Příklady platných požadavků:

- Vyrovnání hmotnosti uživatele/váhy kombinace sedadla a základny, schválení pro přepravu ve vozidlech obou produktů (ISO16840-4 pro sedadlo a ISO7176-19 pro základnu)

- Bezpečnost materiálů (biokompatibilita, hořlavost), mechanická bezpečnost (stabilita, rizika přiskřípnutí, vnitřní propojení), elektrická bezpečnost



Informace o recyklaci

Pokud produkt dosáhne konce své životnosti, měl by být rozebrán a roztríděn dle materiálů, takže materiály mohou být recyklovány. V případě potřeby kontaktujte Vašeho místního distributora a vyžádejte si specifikaci jednotlivých materiálů. Kontaktujte prosím místní úřady pro informace o možnostech recyklace nebo likvidace použitého produktu způsobem, šetrným k životnímu prostředí.

Doplňky a náhradní díly

Výrobky R82 mohou být dodávány s celou řadou doplňků, které se volí individuálně dle potřeb uživatele. Náhradní díly se dají objednat. Volte doplňky dle nabídky na našich webových stránkách nebo kontaktujte místního dodavatele.

R82 Záruka

Společnost R82 poskytuje 2letou záruku na vady materiálu a vady vzniklé při výrobě a 5letou záruku na zlomení kovového rámu v důsledku vadných svárů. Záruka může být nepříznivě ovlivněna zanedbáním odpovědnosti ze strany zákazníka při provádění servisu či každodenní údržby v souladu s pokyny a v intervalech předepsaných dodavatelem či uvedených v návodu. Další informace naleznete na domovské stránce společnosti etac v části Ke stažení.

Životnost výrobku je normálně 8 let, pokud se dodržují všechny kontroly a servisy v souladu s návodem výrobce. Zařízení může být během své životnosti opětovně vydáno k použití.

Záruka platí pouze v zemi, ve které byl produkt zakoupen a jestliže jej lze identifikovat podle výrobního čísla. Záruka se nevztahuje na náhodné poškození včetně poškození způsobených nesprávným použitím či nedbalostí. Záruka nelze rozšířit na díly, jež nejsou odolné, podléhají běžnému opotřebení a vyžadují pravidelnou výměnu.

Záruka ztrácí platnost použitím jiných než originálních dílů či příslušenství, anebo jestliže výrobek nebyl udržován, opravován či upravován v souladu s pokyny a intervaly předepsanými dodavatelem nebo dle informací uvedených v uživatelské příručce. Společnost R82 si před uznáním garančních nároků vyhrazuje právo na prohlídku výrobku s příslušnou dokumentací a na rozhodnutí, zda bude vadný výrobek vyměněn či opraven. Výrobek, na nějž je uplatňován garanční nárok, je zákazník povinen předat na adresu místa nákupu.

Předprodejní informace

- www.etac.com

Bezpečnost

Znaky, symboly a instrukce umístěny na tomto zařízení nesmějí být nikdy trvale zakryty nebo odstraněny a musí být udržovány v původním stavu po celou dobu životnosti výrobku. Ihned vyměňte nebo opravte poškozené znaky, symboly a instrukce. Kontaktujte Vašeho místního dodavatele pro bližší informace.

V případě nepříznivé události související se zařízením je třeba závaty včas oznámit místnímu prodejci a příslušnému vnitrostátnímu orgánu. Místní prodejce předá informace výrobci.

Pečovatel

- Před používáním si pozorně přečtěte návod a instrukce a uchovejte je i pro budoucí používání. Nesprávné používání tohoto výrobku může zapříčinit vážné poranění uživatele
- Tento produkt obsahuje malé části, které by mohly představovat riziko udušení, pokud by se dostaly z určeného místa
- Vždy používejte správnou techniku zvedání a správné pomůcky pro tento účel
- Nikdy nenechávejte uživatele umístěného v tomto produktu bez dozoru. Zajistěte soustavný dohled pečovatele
- Při opravách musí být použity pouze nové originální díly R82 v souladu s návodem a musí být dodržovány intervaly prohlídek předepsány výrobcem
- Pokud máte pochybnost o bezpečném používání výrobku, okamžitě jej přestaňte používat a ihned kontaktujte Vašeho místního dodavatele
- Dbejte na to, aby pohyblivé součásti při nastavování nestiskly nebo nezachytily část těla
- Dávejte pozor, aby se žádné části těla nezachytily v otvorech pro montáž opěrek/ příslušenství.
- Informace týkající se kombinací rámu a sedačky, včetně max. zatížení kombinace naleznete na: etac.com

Prostředí

- Před umístěním uživatele na produkt zkontrolujte povrchovou teplotu produktu. Zejména to platí u uživatelů s necitlivou kůží, kteří necítí teplo. Pokud povrchová teplota překročí 41 °C, před použitím nechte produkt vychladnout.
- Zařízení používejte na rovném podkladu bez překážek. Buďte si vědomí omezené ovladatelnosti na kluzkých cestách

Uživatel

- Pokud se hmotnost uživatele blíží maximální povolené a nebo má nekontrolovatelné pohyby jako např. kymáčení se, větší velikost s vyšší povolenou maximální zátěží nebo jiné zařízení R82 by mělo být zváženo

Výrobek

- Dbejte správného nastavení výrobku a doplňků a ujistěte se, že všechny šrouby, matice a spory jsou správně dotaženy a zabezpečeny. Nářadí uchovávejte mimo dosah dětí
- Při umístění uživatele do výrobku tento zabrzděte
- Ujistěte se o stabilitě zařízení před umístěním uživatele do něj
- Před skloněním sedáku a opěrky zad doporučujeme, abyste uživatele upozornili
- Ujistěte se, že všechna kola jsou před započatím používání v pořádku
- Kontrolujte zařízení a doplňky a případně opotřebované díly vyměňte
- Plynovou pružinu nevystavujte tlaku a vysokým teplotám. **POZOR NA PRORAŽENÍ**
- Zamezte poškrábání či jinému poškození pístitice. Při používání nářadí k seřízení plynové pružiny je důležité použít hadr či podobnou pomůcku
- Toto zařízení nesmí být používáno ve vozidle. Uživatel musí být umístěn v sedačce a zařízení uloženo do ložného prostoru vozidla
- Uživatel nesmí používat zařízení během nakládání do vozidla pomocí zvedací plošiny na vozidle

Servisní informace

Údržba zdravotnického zařízení je zcela na odpovědnosti majitele daného zařízení. Pokud nebude údržba zařízení prováděna dle pokynů, může to vést ke zneplatnění záruky, vztahující se na dané zařízení. Dále může nedostatečná údržba tohoto zařízení poškodit klinický stav nebo bezpečnost uživatelů a / nebo osob o ně pečujících.

Budete-li potřebovat pomoc při nastavení, používání nebo údržbě zařízení, obraťte se na místního prodejce.

1. den

- Před použitím si pečlivě přečtěte všechny pokyny k použití návodu a uschovejte je, abyste do nich mohli nahlédnout v budoucnu.
- Přiložené nástroje uložte do pouzdra na rámu

Každodenně

- Výrobek čistěte čistým hadříkem
- Vizualní kontrola. Opravte či vyměňte všechny poškozené nebo opotřebené díly
- Dávejte pozor, aby byly všechny úchyty na místě a správně osazené
- Kontrolujte známky opotřebení na všech úchytech a přezkách
- Před nastavením věnujte pozornost všem značkám, označujícím maxima

Týdně

- Zkontrolujte, zda se všechna kolečka volně otáčejí a zda se všechny zámky / brzdy koleček snadno aktivují
- Před použitím odstraňte zbytky nečistot z produktu vlhkým hadříkem namočeným v teplé vodě s jemným čisticím prostředkem/mýdlem neobsahujícím chlor.

Měsíčně

- Všechny matice a šrouby na tomto produktu je třeba zkontrolovat a dotáhnout, abyste se vyhnuli závadám
- Naklápěcí části mažte. Doporučujeme používat profesionální lubrikační systém

Ročně

- Prohlédněte rám zařízení zda nevykazuje poškození nebo praskliny nebo náznaky abnormálního opotřebení. Nikdy nepoužívejte výrobek, který tyto závady vykazuje

Omyvatelné zařízení

Tento výrobek je možno strojně mýt po dobu 10 minut při 60 °, při použití neagresivních mycích prostředků bez obsahu chlóru. K mytí musí být použito zařízení k tomu určené. Po mytí nechte výrobek před dalším používáním uschnout.

Dezinfekce

Produkt bez doplňků lze dezinfikovat v 70% dezinfekčním roztoku IPA. Před dezinfekcí doporučujeme z produktu odstranit zbytky a nečistoty hadříkem namočeným v teplé vodě s jemným čisticím prostředkem/mýdlem neobsahujícím chlór.

Servisní intervaly

Detailní kontrola zařízení se musí provádět každých 12 měsíců (u hmotnějších uživatelů každých 6) a pokaždé musí být zařízení schváleno pro další používání. Kontrolu musí provádět technicky zdatný pracovník, který je k tomuto proškolen. Kontaktujte Vašeho místního dodavatele za účelem opravy.

Seznam kontrol při servisu:

Zkontrolujte následující funkce a seřďte je k určenému účelu. Opravte nebo vyměňte všechny poškozené nebo opotřebené díly. Zkontrolujte následující body:

- Výšku podvozku lze nastavit pomocí kliky.
- Závity upevňovacích prvků jsou v dobrém stavu.
- Nastavení úchytného rámu. Úchytný rám lze nastavit a po nastavení zůstane v dané poloze.
- Plynová pružina pro náklon rámu je správně nastavená a je možné zajistit úchytný rám v požadované poloze.
- Zkontrolujte, zda se kolečka volně pohybují a zda lze všechny brzdy koleček snadno aktivovat.
- Šrouby a matky na produktu jsou dotažené.
- Zkontrolujte úchyty a přezky ohledně známek opotřebení.
- Zkontrolujte produkt ohledně prasklin a známek opotřebení.
- Všechny štítky na produktu jsou nedotčené.

中國

感谢您选择 R82 的新产品，R82 是一家为有特殊需求的儿童和成人提供技术辅助器材和设备的全球供应商。为充分利用本产品提供的选项，请在使用前阅读本《用户指南》并将其保存以备将来参考。

用途及适应症

本设备是供残障儿童和成人使用的座椅系统的支架。

适应症

该设备与座椅系统（即R82 x: panda或R82 Panda Futura等模块化座椅系统）配合使用。可供无法在没有辅助设备时保持坐姿和四处移动（在房间内或房间之间/室外）的残障儿童和成人使用。本设备的目标人群基于功能性能力和人体测量。它不是基于特定的健康状况或年龄。

使用者是指配合使用支架坐在座椅上的人员。护理者指操作支架的人员。请勿让使用者在使用本产品时处于无人看管的状态。请确保由护理者始终进行监督。白天，当使用者躺下、站立或坐着使用其他辅助设备或常规产品时，本设备的使用将多次中断。

禁忌症

无已知的禁忌症

注意事项

无已知注意事项

使用区域

本产品应在室内使用



符合标准声明

本品符合医疗器械法规（2017/745）的要求。处于下列情况时，必须清除 CE 标记：重建产品；与其他制造商的产品结合使用；或使用原装 R82 以外的备件或配件。另外，本品也符合下述要求：

- EN 12182

下列情况须移除CE标识：

- 重新修复的产品
- 在预期用途和符合性声明设定的范围之外使用产品
- 使用非原装的R82备件和配件

搭配其他产品使用时，组合不得更改这些产品的预期用途，或以可能影响其符合适用规定的方式改动产品。负责产品组合的个人/公司须确保符合适用的规定。

适用规定举例：

- 座椅和基座组合需与用户重量/质量匹配，两种产品均需获准用于车辆交通（座椅IS016840-4，基座IS07176-19）
- 材料安全（生物相容性、可燃性）、机械安全（稳定性、挤压危险、内部连接）、电气安全



产品处理

当产品使用年限达到其寿命时，应按原料类型进行分离，以使其能正确地回收和处理。如果有需要，请联系您当地的代理商/经销商，询问各部件的详细描述，处于环保考量，产品回收处理时请联系当地环保部门。

零部件

R82的产品可以遵循单个用户的个别需求选配不同的附件。附件可依要求订购，您可以通过我们的官网或联系当地的经销商获取这些附件的更多信息。

R82质保

R82 对工艺和材料上的缺陷提供 2 年期限的保修，对焊接缺陷造成的金属框破裂提供 5 年期限保修。- 若产品的使用和/或保养未按照使用手册的要求去做，所产生的由使用者造成的问题，则不在质保范围。更多详情，您可登陆R82的官方网站进行相关下载。

正常情况下，如果按照厂商的说明书和指南对产品进行维护和保养，产品的使用寿命是8年。本设备可在其使用寿命内重复利用

该质保仅在产品所购国家/地区有效，产品的序列号清晰可辨。意外损坏时质保无效，例如错误使用造成的损坏。质保不包含消耗品，例如轮胎和垫衬物等，上述产品日常使用时会造成正常的磨损，从而需要周期性更换。

质保在以下情形时失效：使用非R82原厂配件；设备未按照使用说明进行维修和定期检查维护。涉及质保，R82有权对设备进行检验确认，以确定是否需要更换或维修。顾客需要将问题产品发回至购买地。该质保由R82或其代理商提供。

预售信息

- www.etac.com

安全性

产品上的任何符号、标记及说明在产品的整个使用期限内，不得撕毁、覆盖，须始终保持其完好、清晰。如有损毁，请立刻联系当地代理商及时更换。

如发生与设备有关的不良事件，应及时报告本地经销商和所在国家主管部门。本地经销商会将信息转发给制造商。

护理人员

- 使用产品前，请务必仔细阅读所有说明，并保存好以便将来参照。对产品的不当使用，可能会给使用者带来严重的伤害。
- 本产品包含的小尺寸部件如从其本来位置取下，则有可能造成窒息危险
- 对产品高低的调节请依使用说明进行。
- 请勿让使用者在使用本产品时处于无人看管的状态。请确保由护理者始终进行监督。
- 维修或重新安装部件时，请务必使用R82公司原厂的配件或装置，并且按照安装说明或供应商规定的方法进行安装。
- 如果您对继续使用产品的安全性有任何疑问，或产品有任何部分出现故障时，请立即停止使用并尽快和当地供应商取得联系。
- 确保在调整活动部件时不会压住或夹住身体部位。
- 安装支撑物/附件时，切勿使身体部位困在空缺处。
- 有关框架和椅座组合的信息，包括这些组合的最大载重，可参阅：etac.com

环境

- 在挪入乘坐者之前，查看产品表面温度，尤其对于皮肤不敏感的乘坐者，因为他们无法感觉到热。如果表面温度超过 41° C，则等产品冷却后再使用
- 产品只能在无障碍物的平坦地面上使用。注意在湿滑地面上操作稳定性会降低。

使用者

- 如果使用者的体重接近产品的最大载重，或者使用者有许多不自主的动作，例如摇摆等，应考虑使用更大尺寸的产品或R82系列的其他产品。

产品

- 使用前，请先根据孩子的尺寸进行调整并安装相应配件，确保所有的螺丝、把手、搭扣都已拧紧。确保所有工具都远离孩子。
- 在把使用者放进产品前，请务必确保激活制动装置。
- 在把使用者放进产品前，请务必确保产品的稳定性。
- 建议在调整座椅和靠背的角度之前先告知使用者。
- 在使用前确保脚轮的功能全部正常且安全
- 使用前，请先对产品及配件作检查，并及时更换已损坏部件。
- 不要让活塞杆有划痕等。用工具调节气弹簧时借助一块布或诸如此类的东西很重要。
- 不要将气弹簧暴露在压力或高温下，请小心使用，防止损坏。
- 汽车运输过程中，不可使用产品。乘坐汽车时，请将使用者置于汽车座椅上，将产品置于汽车行李箱中。
- 当使用升降设备将产品装入汽车或从汽车卸下时，确保使用者未在使用产品。

保养信息

医疗设备的保养是设备所有者的义务，如果没有按照说明对设备进行保养，将不享受质保；另外，不对设备进行保养可能会对用户的使用或安全性以及护理人员带来危害。

在设置、使用或维护设备时，如有需要，请联系当地经销商寻求帮助。

第一次

- 使用前请仔细阅读用户手册，并将其保存在安全的地方，以备将来参考
- 附带的工具就存放在产品上，以防丢失。

日常

- 用干布擦拭产品。
- 通过外观检查，及时修理或更换损坏的或磨损的零件。
- 确保所有的紧固件都在恰当的位置并正确地安装了。
- 检查所有固定处和带扣看有无零配件磨损的迹象。
- 调节前要了解所有有最大标记的地方（调节上限）。

每周

- 确保所有的脚轮都能自由移动，所有的车轮锁/刹车都能轻易地被激活。
- 使用在温水中浸湿并拧干的布和不含氯的温和洗涤剂/肥皂擦掉所有残余物和灰尘，并在晾干后再使用。

每月

- 确保产品上所有的螺母和螺栓都是拧紧的，以避免不必要的伤害。
- 给能摆动的部位注油，我们建议用专业的润滑油。

每年

- 检查基底框架有无裂痕或零配件磨损，不要使用存在安全隐患的产品。

洗涤机

该产品可在用于医疗设备洗涤机中60℃进行洗涤10分钟，使用温和的洗涤剂或无氯消毒剂。再次使用产品前请晾干。

消毒

带和的轮椅可使用 70% 的 IPA 消毒液进行消毒。建议使用在温水中浸湿的布和不含氯的温和洗涤剂/肥皂擦掉所有残余物和灰尘，并在晾干后再进行消毒。

保养周期

产品的详细检测必须每年进行一次（对于体重较重使用者每半年进行一次），检修后再使用。检修必须是由经培训合格的技术人员来完成。请联系您当地的经销商对维修的说明。

保养核对清单：

按照以下功能的预定用途进行检查和调整。维修或更换任何损坏或磨损的部件。
请检查：

- 可使用主轴调节机架高度
- 紧固件螺纹状况良好
- 椅座平面。椅座平面可调，调节后保持位置。
- 用于椅座倾斜的气弹簧正确调节，可将椅座平面锁定到位
- 脚轮能否自由移动，所有车轮锁/刹车能否轻松启动
- 产品上的螺母和螺栓是否已拧紧
- 配件和搭扣上有无部件磨损的迹象
- 产品有无裂纹或部件磨损的迹象
- 产品上的所有标签是否完整

日本

R82社の新製品をお選びいただきありがとうございます。R82社は、特別なニーズのある方々のための補助器具および補助製品のワールドワイドサプライヤーです。本製品に用意されているオプションのメリットを最大限にご活用いただくため、ご使用前にこのユーザーガイドをお読みいただき、必要な場合に備えて保管しておいてください。

使用目的

本製品は障害のあるお子様や大人の方のためのシーティングシステムです。

適応

この器具はシーティングシステム（R82 x : Panda やR82 Panda Futuraなどのモジュラーシーティングシステム）と共に使用します。補助装置を使用しないと座った姿勢を維持したり、移動したりすることができない（屋内または部屋と部屋の間/屋外）障害のあるお子様や成人の方にご利用いただけます。本製品の使用対象者は、機能的能力と人体測定学に基づきます。特定の健康状態や年齢に基づくものではありません。

ユーザーは、このフレームで使用するシートに座ります。介護者は器具を操作する人です。本製品をご使用の際は、ユーザーを一人にしないでください。必ず介護者が付き添ってください。本製品は、ユーザーが他の補助器具や従来の製品で横になったり、立ったり、座位になったりする場合、日中の使用時間が短くなります。

禁忌

既知の禁忌はありません

使用上の注意

既知の予防措置はありません

適用領域

製品は屋内でのみ使用できます。



準拠の宣言

本製品は、医療機器規制(2017/745)の要件に準拠しています。製品の修理、他社製品との併用、または純正のR82予備部品や付属品以外を使用する場合、CEマークを表示することはできません。さらに、本製品は、次の要件に準拠しています：

- ・ EN 12182

CEマークは以下の場合には取り外さなければなりません。

- ・ 製品を再構築する場合
- ・ 意図された目的と適合宣言の範囲外での製品を使用する場合
- ・ 正規のR82予備部品および付属品以外を使用する場合

デバイスを他の製品と組み合わせて使用する場合、その組み合わせにより製品に意図された目的が変更されてはいけません。また、適用される要件への準拠が影響を受けるような方法で、製品を改造してはいけません。製品の組み合わせに責任を負う担当者/会社は、適用される要件を確実に満たすようにする必要があります。

適用される要件の例：

- ・ シートとベースの組み合わせに対するユーザー重量/質量の調整、両製品の陸上輸送に関する承認(シートはISO16840-4およびベースはISO7176 -19)
- ・ 物質の安全性（生体適合性、可燃性）、機械的安全性（安定性、圧迫の危険、相互接続）、電気的安全性

廃棄

廃棄される場合、それぞれの部品を材料別に区分し、リサイクルと廃棄物に適切に分類してください。各材料の正確な情報は、販売店にお問い合わせください。リサイクルに関する情報は、自治体にお問い合わせください。

アクセサリー・各種部品

R82社製品には、個々のご利用者様のニーズに応じた様々なアクセサリーをご用意しております。部品も必要に応じてご注文いただけます。詳しくは、Webサイトで検索するか、販売店にお問い合わせください。



R82 保証

フレームは製造上の不良に対して2年間、溶接の不良により発生したメタルフレームの破損に対しては5年間の品質保証がなされております。この保証は、本取扱説明書に記載されている正しいご使用方法をお守りいただき、(お客様の責任において)定期的なメンテナンスを受けられていることを前提としております。(消耗品は対象外となります)

規定に基づいた保守メンテナンスが行われた場合の標準的耐用年数は8年です。この器具は製品寿命内であれば、他のユーザーに再利用することができます

保証は、製品を購入した国においてのみ、適用されます。使用かつ製造番号の確認がとれた場合のみ保証が有効となります。またこの品質保証は、本製品の構成部品の修理又は交換に限定されるもので、その欠陥に付随して起こる又は結果として起こる損害を担保とするものではありません。これは最初の原購入者に限定されます。万一、この保証に基づいて構成部品に欠陥が発見された時は、弊社の選択によりその部品を修理するか交換するかを決定し、無償にてこれを行います。

この保証はR82社製の純正部品が使用されている場合のみ有効で、認定の受けていない業者による修理等で起きた損害や怪我は保証の対象外です。弊社は保証同意前に、その製品又は関連する書類を検査する権利を有しております。

事前販売情報

- ・ www.etac.com

安全性

本製品に配置されている、サイン、記号、説明は隠したり、取除いたりせず常に見える状態に保ってください。判読できない、損傷した場合は、すぐに交換又は修復してください。詳しくはお買い求めいただいた販売店にご相談ください。

デバイスに関連して有害事象が生じた場合、そのインシデントは地元のディーラーおよび国の所轄当局に適時に報告する必要があります。地元のディーラーはその情報をメーカーに転送します。

介助者

- ・ ご使用前に本取扱説明書を良くお読みいただき、大切に保管してください。誤ったご使用方法はお怪我の原因になります。
- ・ 本製品には、所定位置から取り外された場合に窒息の危険性を引き起こす可能性がある小さな部品が含まれています。
- ・ 持ち上げる際は、正しい方法で行ってください。
- ・ 本製品使用中は絶対に、ユーザーを一人にしないでください。必ず介護者が付き添ってください。
- ・ 修理/交換の際は、R82社製純正部品をご使用ください。
- ・ 安全性の不明な点や、部品に不具合が生じた場合は、直ちにご使用をお止めいただき、販売店にご相談ください。
- ・ 可動部品の調節時には、身体部分が挟み込まれないように注意してください。
- ・ サポート/アクセサリ取り付け口に、何も引っかかっているかを確認してください。
- ・ フレームとシートの組み合わせ（組み合わせの最大負荷を含む）に関する詳細は、次を参照してください。 etac.com

ご利用者様

- ・ ユーザーが搭乗する前に、製品の表面温度を確認してください。ユーザーの皮膚が無感覚であり、熱を感じることはできないときは、特に注意してください。表面温度が41°Cを超えるときは、製品の温度が下がってから使用してください。
- ・ 本製品は障害物のない平地でご使用ください。滑りやすい道路では操作性が損なう可能性がありますのでご注意ください。

ご利用者様

- ・ ご利用者様の体重が製品の耐荷重に近い、又は多動な場合は、大きいサイズ又はR82社製の他製品をご利用ください。

製品

- ・ ご使用前に、製品・付属品の位置調整を行い、プッシュプレス、ネジ、バックル等が全て安全に固定されているか確認してください。工具はお子様の手が届かない場所に保管してください。
- ・ 移乘される前には、必ずブレーキをセットしてください。
- ・ 移乘される前には、製品が安定した状態にあるか確認してください。
- ・ 上記事項につきましては、販売店様をご利用者様に納品される際お知らせください。
- ・ 使用する前にキャスターが完全に機能し安全であることを確認します
- ・ ご使用前に、製品と全ての付属品を点検し、磨耗している部品は交換してください。
- ・ ガスダンパーを高気圧・高温の場所に置かないでください。また穴を開けないでください。
- ・ ガスダンパーを調整される際は、布などを使って、ピストン棒を傷つけないようご注意ください。
- ・ 本製品は自動車内で場所をとりません。ユーザーを車の座席に置いて、製品は荷物室に保管してください。
- ・ 後部リフトによって車の輸送時にユーザーは製品に置いておくことはできません。

サービス情報

医療機器のメンテナンスは所有者の責任において行ってください。規定のメンテナンスが行われないと、保証が無効になる場合があります。また、適切なメンテナンスが行われない場合、ご利用者様・介助者の方の安全性が損なわれる可能性があります。

装置のセットアップ、使用、保守に関しては、必要に応じ、最寄りの販売店にお問い合わせください。

ご使用初日

- ご使用前に本取扱説明書を良くお読みいただき、大切に保管してください。誤ったご使用方法はお怪我の原因になります。
- 付属工具は大切に保管してください。

毎日

- 乾いた布を使用して製品を拭いてください
- 目視で点検をしてください。損傷や摩耗した部品を修理または交換してください
- すべての留め具が適切な場所に正しく設置されているか確認してください
- すべての留め金とバックルに摩耗の症状があるか確認してください
- 調整する前に最大マークの表示に注意してください

毎週

- 全てのキャスターが自在に動き、ホイールロック/ブレーキが機能するか確認してください。
- 布を、温かい水と、塩素を含まない中性洗剤/石けんに浸してから絞ります。この布を使い、製品から残留物や汚れを拭き取り、使用前に乾かします。

毎月

- 本製品の全てのナット・ボルトがしっかりと固定されているか確認してください。
- 開閉部分に潤滑油をふってください。専用の潤滑油をお勧めします。

毎年

- フレームのひびや磨耗部品を点検してください。標準以下や不具合のある製品は絶対に使用しないでください。

器具洗浄機

本製品は、医療機器用に設計された洗浄機で、クロリンを含まない消毒液または中性洗剤を使って、60度で10分間洗浄することができます。製品は乾いてから再び利用してください。

殺菌

プロダクトは 70% の消毒液を使用して殺菌できます。殺菌する前に塩素を含まない中性洗剤/石鹼と温水の溶液を含ませた布で残留物やプロダクト材料の汚れを拭き取り、乾燥させることをお勧めします。

メンテナンス時期

製品の点検は12ヶ月毎（ご使用頻度の高いご利用者様の場合は6ヶ月毎）に行ってください。点検は製品使用の訓練を受けた技術担当者が行ってください。タイヤのバンクなどの修理に關しましては、お近くのディーラーにお問い合わせください。

サービスチェックリスト:

用途に従って、以下の機能について点検と調節を行います。損傷または損耗のある部品は、修理または交換します。以下を点検します:

- フレームの高さは、スピンドルを使用して調整可能である。
- ネジの山が良好な状態である。
- シート平面の調整。シート平面は調整可能であり、調整後は固定されます。
- シートの傾き用ガススプリングが正しく調整され、シート平面の位置をロックすることができる。
- キャスターが自由に可動し、ホイールロック/ブレーキが簡単に作動できる
- 製品のナットとボルトが締められている
- 取付具とバケットの部品が損耗していない
- 製品にヒビや部品の損耗がない
- 製品の全ラベルが問題なく表示されている

ΕΛΛΗΝΙΚΗ

Ευχαριστούμε που επιλέξατε ένα νέο προϊόν της εταιρείας R82, ενός παγκόσμιου προμηθευτή τεχνικών βοηθημάτων και συσκευών για παιδιά και ενήλικες με ειδικές ανάγκες. Για να επωφεληθείτε στο έπακρο από τις επιλογές που προσφέρονται από αυτό το προϊόν, πριν από τη χρήση διαβάστε τον παρόντα Οδηγό Χρήσης και φυλάξτε τον για μελλοντική αναφορά.

Κατασκευαστής

Η συσκευή αποτελεί πλαίσιο για συστήματα καθίσματος παιδιών και ενήλικων με αναπηρία.

Ενδείξεις

Η συσκευή χρησιμοποιείται μαζί με ένα σύστημα καθίσματος (π.χ. αρθρωτό σύστημα καθίσματος όπως R82 x:pranda ή R82 Panda Futura). Μπορεί να χρησιμοποιηθεί από παιδιά και ενήλικες με αναπηρία, οι οποίοι δεν έχουν τη δυνατότητα διατήρησης της καθιστικής θέσης και μετακίνησης (εντός του δωματίου ή μεταξύ δωματίων/εξωτερικών χώρων) χωρίς τη χρήση βοηθητικής συσκευής. Η ομάδα-στόχος της συσκευής βασίζεται στη λειτουργική ικανότητα και την ανθρωπομετρία. Δεν βασίζεται σε κάποια συγκεκριμένη κατάσταση υγείας ή ηλικία.

Ο χρήστης είναι το άτομο το οποίο κάθεται στο κάθισμα που χρησιμοποιείται με το πλαίσιο. Ο φροντιστής είναι ο χειριστής του πλαισίου. Ποτέ μην αφήνετε τον χρήστη χωρίς επίβλεψη σε αυτό το προϊόν. Διασφαλίστε τη μόνιμη επίβλεψη από φροντιστή. Η χρήση της συσκευής θα διακοπεί περισσότερες φορές στη διάρκεια της ημέρας, όταν ο χρήστης είναι ξαπλωμένος, όρθιος ή καθισμένος σε άλλη βοηθητική συσκευή ή συμβατικό προϊόν.

Αντενδείξεις

Δεν υπάρχουν γνωστές αντενδείξεις

Προφυλάξεις

Δεν υπάρχουν γνωστές προφυλάξεις

Περιοχές εφαρμογής

Το προϊόν προορίζεται για χρήση σε εσωτερικό χώρο



Δήλωση Συμμόρφωσης

Αυτό το προϊόν συμμορφώνεται με τις απαιτήσεις του κανονισμού για τα ιατροτεχνολογικά προϊόντα (2017/745). Η σήμανση CE θα πρέπει να αφαιρεθεί αν το προϊόν είναι τροποποιημένο, όταν χρησιμοποιείται σε συνδυασμό με προϊόν άλλο κατασκευαστή ή όταν δεν χρησιμοποιούνται πρωτότυπα ανταλλακτικά και εξαρτήματα R82. Αυτό το προϊόν συμμορφώνεται επίσης με τις απαιτήσεις σχετικά με:

- EN 12182
- Η σήμανση CE θα πρέπει να αφαιρείται σε περίπτωση:
 - ανακατασκευής του προϊόντος
 - χρήσης του προϊόντος εκτός του προοριζόμενου σκοπού και της δήλωσης συμμόρφωσης
 - χρήσης ανταλλακτικών και συνδέσμων που δεν είναι γνήσια προϊόντα της R82

Όταν το τεχνολογικό προϊόν συνδυάζεται με άλλα προϊόντα, ο συνδυασμός δεν πρέπει να αλλάζει τον προοριζόμενο σκοπό των προϊόντων ή να τροποποιεί τα προϊόντα με τέτοιο τρόπο, ώστε να μπορεί να επηρεαστεί η συμμόρφωσή τους με τις ισχύουσες απαιτήσεις. Το πρόσωπο / η εταιρεία που είναι υπεύθυνη για τον συνδυασμό των προϊόντων πρέπει να εξασφαλίσει ότι πληρούνται οι ισχύουσες απαιτήσεις.

Παραδείγματα εφαρμοστέων απαιτήσεων:

- Ευθυγράμμιση του βάρους/μάζας του συνδυασμού' ή καθίσματος και βίσης, έγκριση μεταφοράς σε οχήματα και των δύο προϊόντων (ISO16840-4 για το κάθισμα και ISO7176-19 για τη βίση)
- Ασφάλεια υλικών (βιοσυμβατότητα, αναφλεξιμότητα), μηχανική ασφάλεια

(σταθερότητα, κίνδυνος συμπίεσης, διασύνδεση), ηλεκτρική ασφάλεια



Απόρριψη

Όταν ένα προϊόν φτάνει στο τέλος του κύκλου ζωής του, πρέπει να διαχωρίζεται ανά τύπο υλικού έτσι ώστε τα εξαρτήματα να μπορούν να ανακυκλωθούν ή να απορριφθούν με τον κατάλληλο τρόπο. Εάν χρειάζεται, σας παρακαλούμε να επικοινωνήσετε με τον τοπικό σας διανομέα για μία ακριβή περιγραφή του κάθε υλικού. Παρακαλούμε επικοινωνήστε με τις τοπικές σας αρχές για να ενημερωθείτε σχετικά με τις δυνατότητες ανακύκλωσης με φιλοπεριβαλλοντικό τρόπο.

Παρελκόμενα και ανταλλακτικά

Για τα προϊόντα της R82 προσφέρονται διάφορα παρελκόμενα, τα οποία ανταποκρίνονται στις ανάγκες του εκάστοτε χρήστη. Η παραγγελία των ανταλλακτικών γίνεται κατόπιν αιτήματος. Αναζητήστε τα ανταλλακτικά στην ιστοσελίδα μας ή επικοινωνήστε με τον τοπικό σας διανομέα για περαιτέρω πληροφορίες.

Εγγύηση R82

Η R82 προσφέρει 2-ετή εγγύηση για κατασκευαστικά ελαττώματα και ελαττώματα στα υλικά και 5-ετή εγγύηση για σπάσιμο του μεταλλικού σκελετού λόγω ελαττωμάτων στις συγκολλήσεις. Η εγγύηση θα επηρεαστεί αρνητικά εάν ο πελάτης δεν τηρήσει την ευθύνη του ως προς τη διεξαγωγή συντήρησης από τεχνικό ή/και την καθημερινή συντήρηση σύμφωνα με τις κατευθυντήριες γραμμές και τα διαστήματα συντήρησης που προβλέπει ο κατασκευαστής ή/και αναφέρονται στις οδηγίες χρήσης. Για περισσότερες πληροφορίες, σας παραπέμπουμε στην ιστοσελίδα της etac: homepage/download.

Ο χρόνος του προϊόντος υπό κανονική χρήση είναι 8 χρόνια, εφόσον όλες οι συντηρήσεις από το χρήστη και από τεχνικό διεξάγονται σύμφωνα με τις οδηγίες του κατασκευαστή και καταγράφονται αποδεδειγμένα. Η συσκευή μπορεί να ανακατασκευαστεί εντός της διάρκειας ζωής της

Η εγγύηση παρέχεται μόνο για τη χώρα αγοράς του προϊόντος, και μπορεί να ταυτοποιηθεί μέσω του σειριακού αριθμού του Η εγγύηση δεν καλύπτει τυχαίες ζημιές, συμπεριλαμβανομένων των ζημιών από ακατάλληλη χρήση ή αμέλεια. Η εγγύηση δεν περιλαμβάνει ανάλυση στοιχείων, όπως π.χ. ροδες ή επενδύσεις, καθώς αυτά υπόκεινται σε φυσολογική φθορά και πρέπει να αντικαθίστανται περιοδικά.

Η εγγύηση ακυρώνεται, εάν χρησιμοποιηθούν εξαρτήματα/παρελκόμενα διαφορετικά από τα αυθεντικά ή εάν το προϊόν δεν έχει συντηρηθεί, επισκευαστεί ή τροποποιηθεί σύμφωνα με τις κατευθυντήριες γραμμές και τα διαστήματα που προβλέπει ο προμηθευτής ή/και αναφέρονται στις οδηγίες χρήσης.(User Guide). Η R82 διατηρεί το δικαίωμα ελέγχου του προϊόντος, για το οποίο εγείρεται η αξίωση εγγύησης, καθώς και των σχετικών εγγράφων προτού εγκριθεί την αξίωση, καθώς και το δικαίωμα να αποφασιστεί εάν θα αντικαταστήσει ή θα επισκευάσει το ελαττωματικό προϊόν. Αποτελεί ευθύνη του πελάτη η επιστροφή του προϊόντος, για το οποίο εγείρεται η αξίωση στο πλαίσιο της εγγύησης, στη διεύθυνη αγοράς του. Η εγγύηση παρέχεται από την R82 ή, κατ' επέκταση, από ένα διανομέα της R82.

Πληροφορίες πριν την πώληση

- www.etac.com

Ασφάλεια

Τα σήματα, τα σύμβολα και οι οδηγίες που φέρει το προϊόν δεν θα πρέπει ποτέ να καλύπτονται ή να αφαιρούνται. Πρέπει να μόνουν στη θέση τους και να είναι ευανάγνωστα καθ' όλη τη διάρκεια ζωής του προϊόντος. Φροντίστε να αντικαθιστάτε άμεσα τα σήματα, τα σύμβολα ή τις οδηγίες που δεν είναι αναγνώσιμα/-ες ή έχουν υποστεί ζημιά. Επικοινωνήστε με τον τοπικό σας διανομέα για οδηγίες.

Σε περίπτωση ανεπιθύμητου συμβάντος που σχετίζεται με το τεχνολογικό προϊόν, τα περιστατικά θα πρέπει να αναφέρονται εγκαίρως στον τοπικό σας αντιπρόσωπο και στην εθνική αρμόδια αρχή. Ο τοπικός αντιπρόσωπος θα προωθήσει τις πληροφορίες στον κατασκευαστή.

Φροντιστής

- Διαβάστε προσεκτικά όλες τις οδηγίες πριν από τη χρήση του προϊόντος και φυλάξτε τις για μελλοντική χρήση. Η ακατάλληλη χρήση του προϊόντος μπορεί να προκαλέσει σοβαρό τραυματισμό στο χρήστη
- Το προϊόν αυτό περιέχει μικρά μέρη που θα μπορούσαν να προκαλέσουν κίνδυνο πνιγμού, εάν αφαιρεθούν από την προοριζόμενη θέση τους
- Χρησιμοποιείτε πάντοτε τις κατάλληλες τεχνικές ανύψωσης και τα βοηθήματα που προβλέπονται γι' αυτόν το σκοπό
- Ποτέ μην αφήνετε τον χρήστη σε αυτό το προϊόν χωρίς επίβλεψη. Βεβαιωθείτε ότι πάντα τελειάει υπό την επίβλεψη ενός φροντιστή
- Οι επισκευές/αντικαταστάσεις πρέπει να γίνονται χρησιμοποιώντας μόνο καινούργια, γνήσια ανταλλακτικά και συνδέσμους της R82 και να διεξάγονται σύμφωνα με τις κατευθυντήριες γραμμές και τα διαστήματα συντήρησης που προβλέπονται από τον προμηθευτή
- Εάν έχετε οποιαδήποτε αμφιβολία σχετικά με την περαιτέρω ασφαλή χρήση του προϊόντος της R82 ή εάν κάποιο εξάρτημα παρουσιάσει βλάβη, σταματήστε αμέσως τη χρήση του προϊόντος και επικοινωνήστε με τον τοπικό σας διανομέα το ταχύτερο δυνατό
- Διασφαλίστε ότι τα κινούμενα μέρη δεν συνθλίβουν ή παγιδεύουν μέρη του σώματος κατά την προσαρμογή τους
- Διασφαλίστε ότι δεν παγιδεύονται μέρη του σώματος στα ανοίγματα για την τοποθέτηση των στηριγμάτων/αξεσουάρ.
- Πληροφορίες σχετικά με τους συνδυασμούς πλαισίου και καθίσματος, συμπεριλαμβανομένου του μέγιστου φορτίου συνδυασμού, διατίθενται στη διεύθυνση: etac.com

Περιβάλλον

- Παρατηρήστε την επιφανειακή θερμοκρασία του προϊόντος, πριν την είσοδο χρήστη μέσα σε αυτό. Αυτό ισχύει ιδιαίτερα για χρήστες με αναισθητοποιημένο δέρμα, καθώς δεν μπορούν να αισθανθούν τη θερμότητα. Εάν η θερμοκρασία της επιφάνειας υπερβαίνει τους 41 °C, αφήστε το προϊόν να ψυχθεί πριν τη χρήση
- Χρησιμοποιείτε αυτό το προϊόν σε μία επίπεδη επιφάνεια χωρίς εμπόδια. Λάβετε υπόψη σας την περιορισμένη δυνατότητα ελιγμών σε ολισθηρούς δρόμους

Χρήση

- Εάν ο χρήστης βρίσκεται κοντά στο μέγιστο φορτίο ή/και κάνει πολλές ακούσιες κινήσεις, π.χ. τολαντεύσεις, θα πρέπει να αναλογιστείτε το ενδεχόμενο αγοράς του προϊόντος σε μεγαλύτερο μέγεθος και με υψηλότερο μέγιστο φορτίο ή ενός διαφορετικού προϊόντος της R82

Προϊόν

- Διεξάγετε όλες τις προσαρμογές θέσης στο προϊόν και στα παρελκόμενα και βεβαιωθείτε ότι όλες οι λαβές, οι βίδες και οι πόρτες έχουν ασφαλιστεί σωστά πριν από τη χρήση. Κρατήστε όλα τα εργαλεία μακριά από παιδιά
- Ενεργοποιήστε τα φρένα προτού τοποθετήσετε το χρήστη μέσα στο προϊόν
- Διασφαλίστε τη διατήρηση της σταθερότητας του προϊόντος προτού τοποθετήσετε το χρήστη μέσα σε αυτό
- Σας συνιστούμε να προειδοποιείτε το χρήστη προτού προσαρμόσετε την πλάτη και τη βάση του καθίσματος
- Βεβαιωθείτε ότι όλοι οι τροχοί είναι πλήρως λειτουργικοί και ασφαλείς πριν από τη χρήση
- Ελέγξτε το προϊόν και όλα τα παρελκόμενά του και αντικαταστήστε τυχόν φθαράμενα εξαρτήματα πριν από τη χρήση
- Μην εκσποσε την άνοιξη του φυσικού αερίου σε πίεση ή υψηλές θερμοκρασίες, ΜΗΝ τρυπάτε
- Μην εκθέτετε τη ράβδο του εμβόλου σε εκδορές, κτλ. Είναι σημαντικό να χρησιμοποιείτε ένα πανί ή κάτι παρόμοιο όταν χρησιμοποιείτε εργαλεία για να προσαρμόσετε το πνευματικό ελατήριο
- Ο χρήστης δεν επιτρέπεται να χρησιμοποιεί το προϊόν μέσα σε ένα μηχανοκίνητο όχημα. Ο χρήστης πρέπει να τοποθετείται σε ένα κάθισμα του οχήματος και το προϊόν να φυλάσσεται στο χώρο αποσκευών
- Ο χρήστης δεν πρέπει να βρίσκεται μέσα στο προϊόν ενόσω αυτό φορτώνεται ή εκφορτώνεται από το όχημα μέσω ράμπας ανύψωσης.

Πίνακας καθηκόντων συντήρησης

Η συντήρηση μίας ιατροτεχνολογικής συσκευής αποτελεί απόλυτη ευθύνη του κατόχου αυτής της συσκευής. Η παράλειψη της συντήρησης σύμφωνα με τις οδηγίες μπορεί να οδηγήσει σε ακύρωση της εγγύησης. Επίσης, η παράλειψη της συντήρησης μπορεί να αποβεί σε βάρος της κλινικής κατάστασης ή της ασφάλειας του χρήστη ή/και του φροντιστή. Επικοινωνήστε με τον τοπικό αντιπρόσωπο για βοήθεια, εάν απαιτείται, για τη ρύθμιση, τη χρήση ή τη συντήρηση της συσκευής.

1η Ημέρα

- Διαβάστε προσεκτικά τις οδηγίες χρήσης πριν από τη χρήση του προϊόντος και φυλάξτε τις σε ασφαλές μέρος για μελλοντική χρήση
- Φυλάξτε τα εσωκλειόμενα εργαλεία επάνω ή κοντά στο εργαλείο

Ημερήσια

- Χρησιμοποιήστε ένα στεγνό πανί για να καθαρίσετε το προϊόν
- Οπτικός έλεγχος Επισκευάστε ή αντικαταστήστε εξαρτήματα που έχουν υποστεί ζημιά ή φθορές
- Βεβαιωθείτε ότι όλα τα στοιχεία σύνδεσης βρίσκονται στη θέση τους και έχουν εφαρμόσει σωστά
- Ελέγξτε όλους τους συνδέσμους και τις πόρτες για ενδείξεις φθοράς
- Λάβετε υπόψη σας τυχόν ενδείξεις οριακής θέσης προτού προβείτε σε κάποια προσαρμογή

Εβδομαδιαία

- Βεβαιωθείτε ότι όλες οι ρόδες κινούνται ελεύθερα και ότι όλοι οι μηχανισμοί κλειδώματος των ροδών/τα φρένα μπορούν να ενεργοποιηθούν εύκολα
- Σκουπίστε τυχόν υπολείμματα και ρύπους από το προϊόν ποτισμένο σε χλιαρό νερό και ήπιο απορρυπαντικό/σαπούνι χωρίς χλωρίνη και στεγνώστε πριν τη χρήση

Μηνιαία

- Ελέγξτε και σφίξτε όλα τα παξιμάδια και τις βίδες σε αυτό το προϊόν προκειμένου να αποφύγετε περιττές στοχίες
- Ιπνάνετε τα πτυσσόμενα εξαρτήματα. Σας συνιστούμε να χρησιμοποιήσετε ένα επαγγελματικό σύστημα λίπανσης, π.χ.

Ετήσια

- Εξετάστε το πλαίσιο για ραγίσματα ή ενδείξεις φθαρμένων εξαρτημάτων και διεξάγετε την ετήσια συντήρηση. Ποτέ μην χρησιμοποιείτε ένα προϊόν που δείχνει υποβαθμισμένο ή ελαττωματικό

Πλυντήριο εξοπλισμού

Αυτό το προϊόν μπορεί να πλυθεί για 10 λεπτά στους 60° με χρήση ήπιου απορρυπαντικού ή απολυμαντικού χωρίς χλώριο, σε πλυντήριο σχεδιασμένο για ιατροτεχνολογικά προϊόντα. Αφήστε το προϊόν να στεγνώσει πριν να το ξαναχρησιμοποιήσετε.

Απολύμανση

Το προϊόν, μπορεί να απολυμανθεί με απολυμαντικό διάλυμα IPA 70%. Συστήνεται να σκουπίστε τυχόν υπολείμματα και ρύπους από το προϊόν, χρησιμοποιώντας ύφασμα ποτισμένο σε χλιαρό νερό και ήπιο

Διάσπαση συντήρησης

Ένας λεπτομερής έλεγχος του προϊόντος πρέπει να διεξάγεται κάθε 12 μήνες (κάθε 6 μήνες για χρήστες μεγάλου βάρους) και κάθε φορά που το προϊόν διατίθεται ξανά για χρήση. Ο έλεγχος πρέπει να διεξάγεται από ένα πρόσωπο με τεχνικές γνώσεις, το οποίο έχει εκπαιδευτεί στη χρήση του προϊόντος. Επικοινωνήστε με τον τοπικό διανομέα για οδηγίες που αφορούν επισκευές π.χ. για την αντιμετώπιση διάτρησης των ελαστικών των τροχών.

Λίστα ελέγχου τεχνικής συντήρησης

Ελέγξτε και προσαρμόστε τις παρακάτω λειτουργίες σύμφωνα με την προτιθέμενη χρήση. Επισκευάστε ή αντικαταστήστε τα ζημιωμένα ή φθαρμένα μέρη. Ελέγξτε τα εξής στοιχεία:

- Το ύψος του πλαισίου μπορεί να ρυθμιστεί χρησιμοποιώντας τον άξονα.
- Τα πειρώματα των συνδέσμων είναι σε καλή κατάσταση
- Προσαρμογή επιπέδου καθίσματος Το επίπεδο του καθίσματος μπορεί να προσαρμοστεί, ενώ διατηρεί τη θέση του μετά την προσαρμογή.
- Το ελατήριο αερίου για την κλίση του καθίσματος έχει ρυθμιστεί σωστά και μπορεί να ασφαλίσει το επίπεδο του καθίσματος στη θέση του
- Τα ροδάκια κινούνται ελεύθερα και όλες οι ασφάλειες/τα φρένα των τροχών ενεργοποιούνται με ευκολία
- Τα παξιμάδια και οι βίδες του προϊόντος είναι σφιγμένα
- Τα εξαρτήματα και τις αγκράφες για ενδείξεις φθαρμένων μερών
- Το προϊόν για ρωγμές ή ενδείξεις φθαρμένων μερών
- Όλες οι επικέτες του προϊόντος είναι ακέραιες



R82 A/S

Parallevej 3
8751 Gedved
Denmark
Tel +45 79 68 58 88
Fax +45 75 66 51 92
etac.com
facebook.com/R82global/

DISTRIBUTOR: