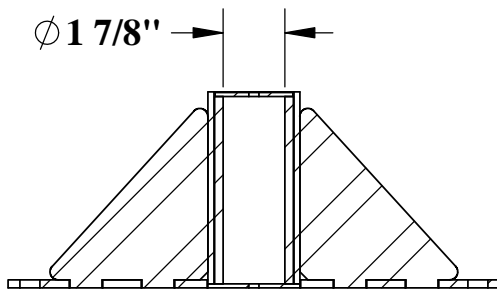
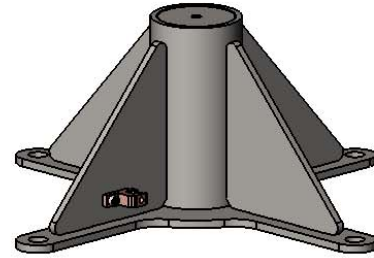
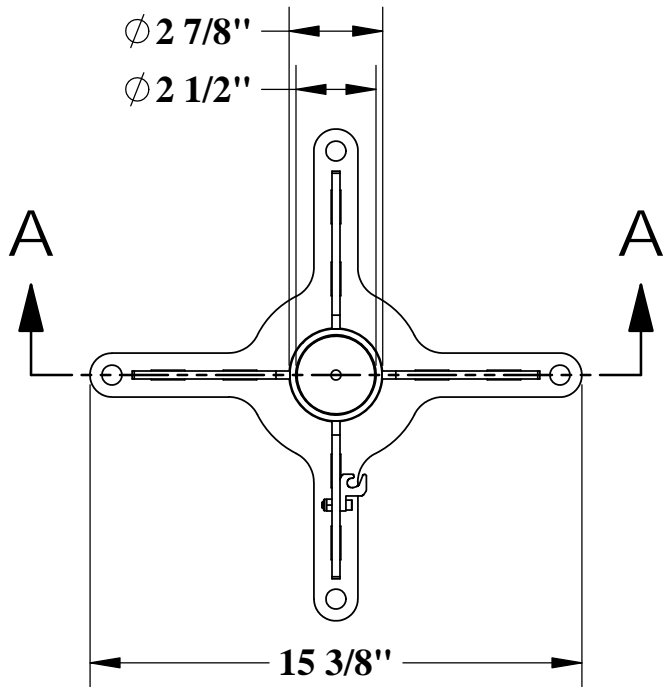
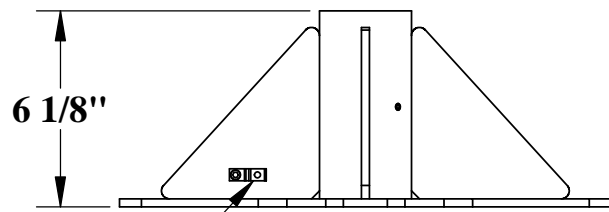


# EZ & POWER EZ SURFACE MOUNT



SECTION A-A



GROUNDING LUG

**SPECIFICATIONS:**

**RATED CAPACITY: 400LBS [181kg]**

**MAXIMUM SETBACK: 20" [508mm]**



9889 GARRYMORE LANE  
 MISSOULA, MT 59808  
 (406) 549-0769  
 FAX (406) 549-2602

NOTE:  
 \*SPECIFICATIONS ARE SUBJECT TO CHANGE WITHOUT NOTICE

|   |                           |
|---|---------------------------|
| PRODUCT:<br><b>SURFACE MOUNT ANCHOR</b> |                           |
| PART #:<br><b>F-035EZSM</b>             |                           |
| SCALE:<br><b>1:6</b>                    | DATE:<br><b>6/12/2017</b> |
| DRAWN BY:<br><b>KR</b>                  | REVISION:<br><b>A</b>     |