

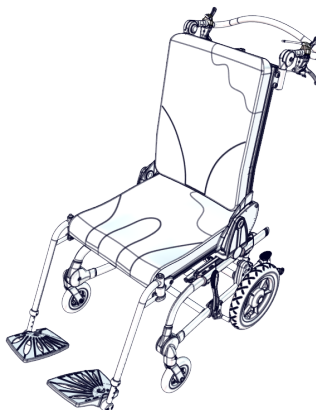
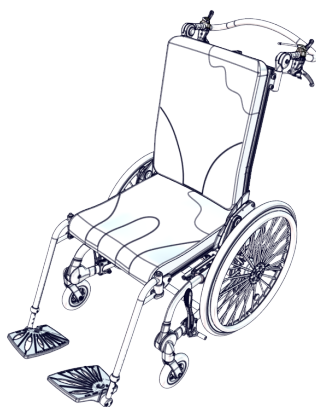


User manual

Cougar

R82[®]
by Etac

M1060 - 2024-03-22 - Rev. 10.0

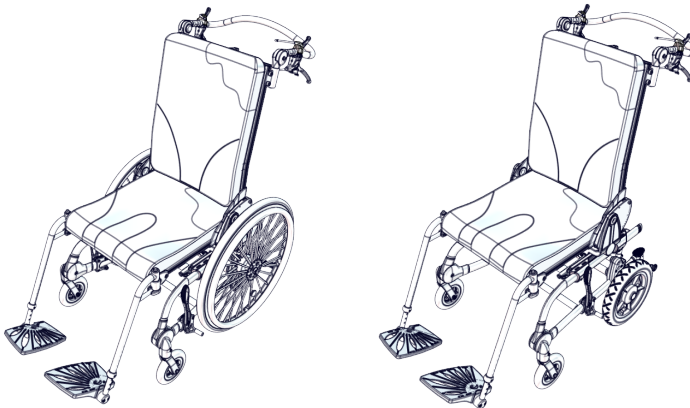


www.etac.com



cougar[™]

English user manual



Norwegian Design Reg. No. 80196

GB CONTENTS

Intended purpose - Declaration of Conformity - Warranty	3
Safety	4
Service	6
Accessories	7
Lifting points	9
T-tool	10
Sitting and Transferring from the Cougar	11
Gas spring adjustment	12
Quick release wheels	13
Angling the seat & back	14
Mounting the push brace	15
Adjustment of the push brace	15
Anti-tip device	16
Adjusting the lumbar support	16
Leg rests and foot plates	17
Seat height adjustment	18
Adjustment of the slide bar function	18
Seat depth adjustment	19
Wheel lock	20
Drum brake	21
Wheel combinations	21
Changing point of gravity	22
Cougar back	23
Mudguard	23
Armrests with side plates and armrest extensions	24
Spoke protectors	25
Mounting of foot support	25
Leg support	26
Vent tray for ventilator	27
Tray	27
Pommel	28
Hip supports	28
Head support	29
Vests & belts	29
Fix-locks	30
Product identification	31
Measurements	32
Product safety	33
Technical data	34
Manufacturer	34

by Etac

General

We appreciate your choice of a new product from R82 - a worldwide supplier of technical aids and appliances for children and teenagers with special needs. To fully benefit from the options offered by this product please read this User Guide before use and save it for future reference.

Intended purpose

The device is a wheelchair for children and adults with disabilities.

Indications

The device can be used by children and adults with disabilities, who lack the ability to maintain a seated position or move around without an assistive device. Thus, the target group for the device is based on functional ability and not a specific health condition or age.

The user is the person sitting in the device. The caregiver is the person operating the device. Never leave the user unattended in this device. Ensure permanent supervision by a caregiver.

The use of the device will be discontinued more times during the day where the user will be lying down, standing or sitting in another assistive device or a conventional product.

For transportation the device is suitable for children and adults in the weight range of 22 kg to specified max user weight for transportation.

Contra indications

There are no known contra indications

Precautions

- Special attention should be given to the considerations about the configuration of the product and the use of accessories for users with limitation in their:
- Sensory functions and the sensation of pain consider extra checks of the pressure caused by the support provided by the device and its accessories.
- Movement function (e.g. experience involuntary movements), consider using a device with a dynamic backrest.
- Ability to maintain a seated position, use the product with accessories (e.g. side supports, vests, belts or arm supports and a tray).
- Ability to maintain the position of their head, consider to use accessories or to use a product that provide support to the positioning of the head.

Application areas

The product is for indoor and outdoor use

Enclosed tools:

- 4+5 mm Allen key
- 13 mm spanner



Declaration of Conformity

This product conforms to the requirements of the Medical Devices Regulation (2017/745).

Further, this product conforms to the requirements according to:

EN 12183

The CE mark must be removed when:

- Rebuilding the product
- Using the product outside the intended purpose and declaration of conformity
- Using other than original R82 spare parts and fittings

When combining the device with other products, the combination must not change the intended purpose of the products or modify the products in such a way that compliance with the applicable requirements may be affected. The person / company responsible for the combination of the products must ensure that the applicable requirements are fulfilled.

Applicable requirements examples:

- Material safety (biocompatibility, flammability), mechanical safety (stability, squeezing hazards, inter connection), electrical safety.



Disposal

When a product reaches the end of its lifetime, it should be separated by material type so that the parts can be recycled or disposed of properly. If required, please contact your local dealer for a precise description of each material. Please contact your local authorities to be informed of the options available for recycling in an environmentally-friendly way.

Accessories and spare parts

The products from R82 can be supplied with a variety of accessories including vests and belts which comply with the needs of the individual user. Spare parts can be ordered on request. Find the specific accessories on our website or contact your local dealer for further information.

R82 Warranty

www.etac.com/support

Presales information and instructions

Presales information and instructions are available at www.etac.com, under your product, in the documents section.



by Etac

Safety

Signs, symbols and instructions placed on this product must never be covered or removed and must remain present and clearly legible throughout the entire lifetime of the product. Immediately replace or repair illegible or damaged signs, symbols and instructions. Contact your local dealer for instructions.

In case of an adverse event occurred in relation to the device, incidents should be reported to your local dealer and the national competent authority in a timely manner. The local dealer will forward information to manufacturer.

For information about product safety notices and product recalls, local dealer information are available at the website etac.com

Caregiver

- Read the "User Guide" carefully before use and keep it for future reference. Incorrect use of this product may cause serious injury to the user
- Settings and adjustments to the product or accessories are only to be made by persons who have read the user guide and who has been given the necessary instructions by a product advisor.
- This product contains small parts which could present a choking hazard if removed from their intended placing
- Always use the correct lifting techniques and aids for this purpose
- Never leave the user unattended in this product. Ensure permanent supervision by a caregiver
- Be aware of any MAX mark indications before adjustment
- Repair/replacements must only be made using new original R82 spare parts and fittings and carried out in accordance with the guidelines and service intervals prescribed by the supplier
- If there is any doubt as to the continued safe use of your R82 product or if any parts should fail, stop using the product immediately and contact your local dealer as soon as possible
- Ensure that moving parts do not squeeze or trap body parts when adjusting them
- Ensure that body parts are not trapped in openings for mounting of supports/accessories.
- The product is approved for transportation in vehicles according to ISO 7176-19. More information can be found in the document "M1460 Transportation in Motor Vehicles" supplied with the product.
- Information about roadability can be found in the document "Roadability" supplied with the product

Environment

- Observe the surface temperature on the product, before placing an user in it. This goes especially for users with insensitive skin as they cannot feel the heat. If the

surface temperature is above 41 °C then allow the product to cool before use

- Use this product on a level surface without any obstacles. Be aware of reduced maneuverability on slippery surfaces
- When using on inclines, please refer to measurements

User

- If the user is close to the max. load limit and/or has a lot of involuntary movements, e.g. rocking, a larger size with a higher max. load or a different R82 product should be considered

Product

- Carry out all positional adjustments on the product and accessories and ensure that all knobs, screws and buckles are securely fastened before use. Keep all tools out of the reach of children
- Removable parts without use of tool: wheels, foot support and cushions. The removal will have adverse effect on the device
- Activate the brakes before placing the user into the product
- Activate the anti-tips when the product is being used on inclines
- Activate the anti-tips before angling the seat and back
- Deactivate the anti-tips when forcing kerbs higher than 100 mm
- Ensure the stability of the product is maintained before placing the user in it
- We recommend you notify the user before angling the seat and back
- Ensure the wheels are fully-functional and secure before use
- The correct tyre pressure is printed on the tyre casing and listed in the section for tyre technical data.
- In case of a tyre puncture do not use the product until remedied
- The product is approved for transportation in vehicles according to ISO 7176-19. More information can be found in the document "M1460 Transportation in Motor Vehicles" supplied with the product.

by Etac

- In accordance with ISO 7176-19 Annex D, the product is evaluated regarding the ability to accommodate vehicle-anchored pelvic and shoulder belts. The device receives an overall score of "Good".
- Unoccupied device is suitable for land and air transport
- Attaching additional loads can adversely affect stability. Position of points intended to carry additional loads are specified in the relevant Mounting Guide referred to under section for accessories
- Do not expose the gas spring to pressure or high temperatures. DO NOT puncture
- Inspect the product and all of its accessories and replace any worn out parts before use
- The device conforms to ISO 7176-8, covering requirements and test methods for static, impact and fatigue strengths
- This product is tested for resistance to ignition at level non-ignition in accordance with EN 1021-2 and ISO 7176-16
- The product might lose its flame resistant characteristics if using other than original R82: Cushions

Service & maintenance information

Service and maintenance of a medical device is wholly the responsibility of the owner of that device. Failure to service and maintain a device in accordance with the instructions may invalidate the device's warranty. Furthermore, failure to service and maintain a device may compromise the clinical condition or safety of users and/or their caregivers. Do not perform service and maintenance while the user is in the product. Contact the local dealer for assistance, if needed, in setting up, using or how to perform service and maintenance of the device.

Lifetime

The lifetime of this product in normal use is 8 years if all maintenance and servicing is carried out in accordance with the manufacturer's instructions and demonstrably recorded.

Reuse

This product and its accessories/components are suitable for reuse.

Refurbishment for reuse

Before reuse or changing the user, follow the service checklist, maintenance and washing instructions and carry out regular inspections.

Service interval

The frequency of inspection may be altered depending upon use and wear. It is recommended that the product is inspected yearly, every time the product is re-issued for use and after a long-term storage (more than 4 months). The inspection should be carried out by a person who understands the use of the product.

Service checklist:

Check and adjust the following as per their intended use:

- Wheels are moving freely and that all wheel locks/brakes are easily activated. Adjust if required
- Quick release wheels are removable/replaceable
- Tire pressure
- Nuts and bolts on the product are tightened
- Oil the swing-away parts
- Product for cracks or signs for worn-out parts
- All labels on the product are intact

Repair or replace any damaged or worn out parts.

Maintenance

Before every use it is recommended to: Wipe off any residue and dirt from the product, using a cloth with warm water and a mild detergent/soap without chlorine and let it dry before use.

Carry out a visual inspection, for any damaged or worn-out parts.

Washing

Main product

This product can be washed at 60° using a mild detergent for 10 minutes in a washing machine designed for medical devices. Use the machine's drying function to dry the product. Unmount all accessories and wash them separately.

Fabric and covers

The cover can be washed at max. 60°C using a mild detergent in a washing machine. Separate foam and cover before wash.

Handwash

This product and its accessories can also be washed by hand. Use warm water and a mild detergent/ soap without chlorine and let all parts dry before use.

Disinfection

The product can be disinfected with a 70% disinfectant IPA solution. It is recommended to wipe off any residue and dirt from the product, using a cloth with warm water and a mild detergent/soap without chlorine and let it dry before disinfection.

Materials

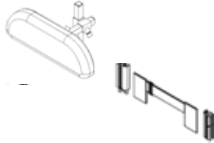
- Wood
- Steel
- Plastic
- Foam
- Fabric
- Stainless steel

Surface treatment

The following surface treatment processes were used to protect against corrosion:

- Lacquered surfaces = Polyester powder coating or ED-coating
- Non-lacquered aluminium parts = Anodized coating
- Non-lacquered steel surfaces = Galvanized

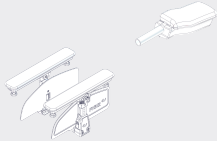
Accessories



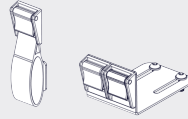
Mounting guide
9996097144



See page 26



See page 22



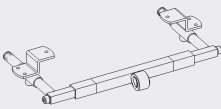
See page 28



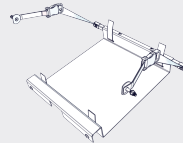
See page 23



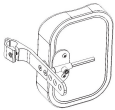
See page 21



See page 23



See page 25



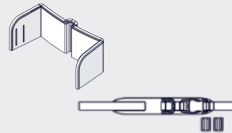
See page 24



Mounting guide
9996097133



See page 25



Mounting guide
9996097244



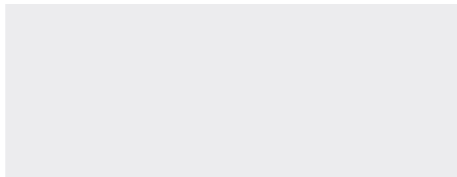
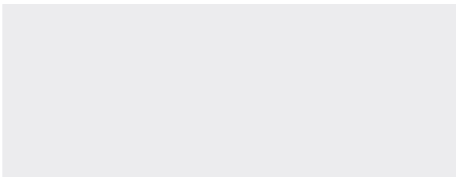
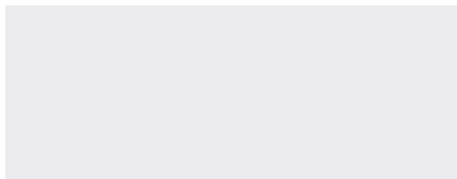
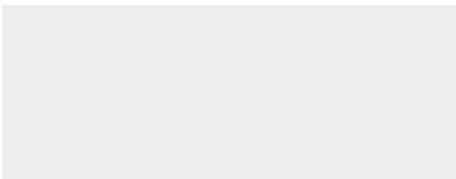
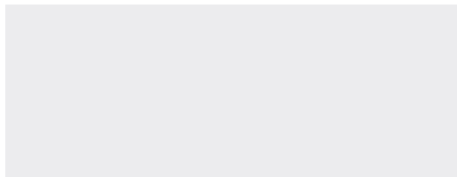
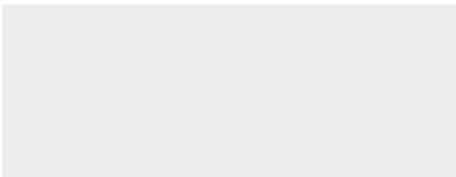
See page 26

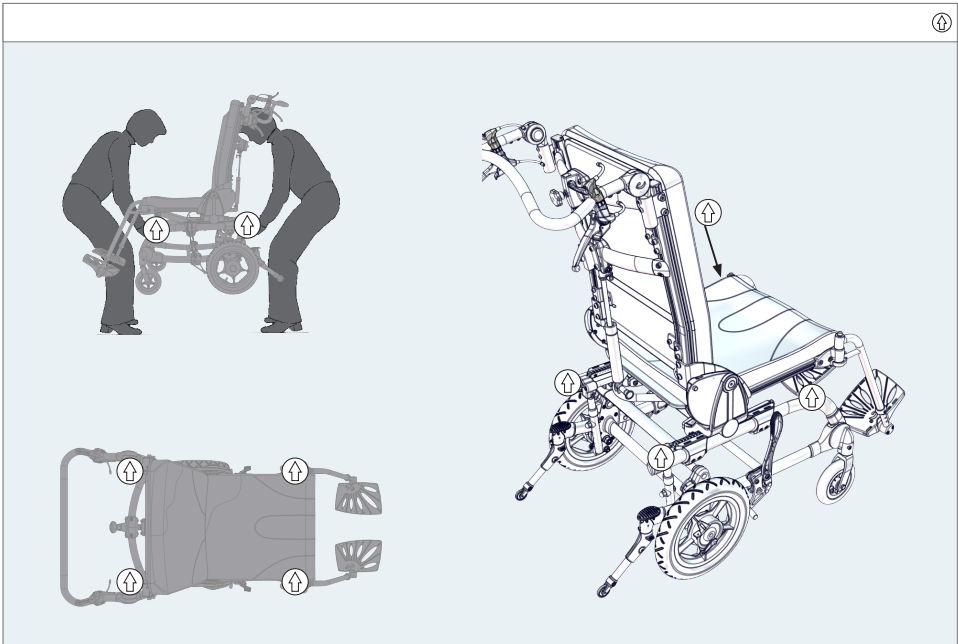
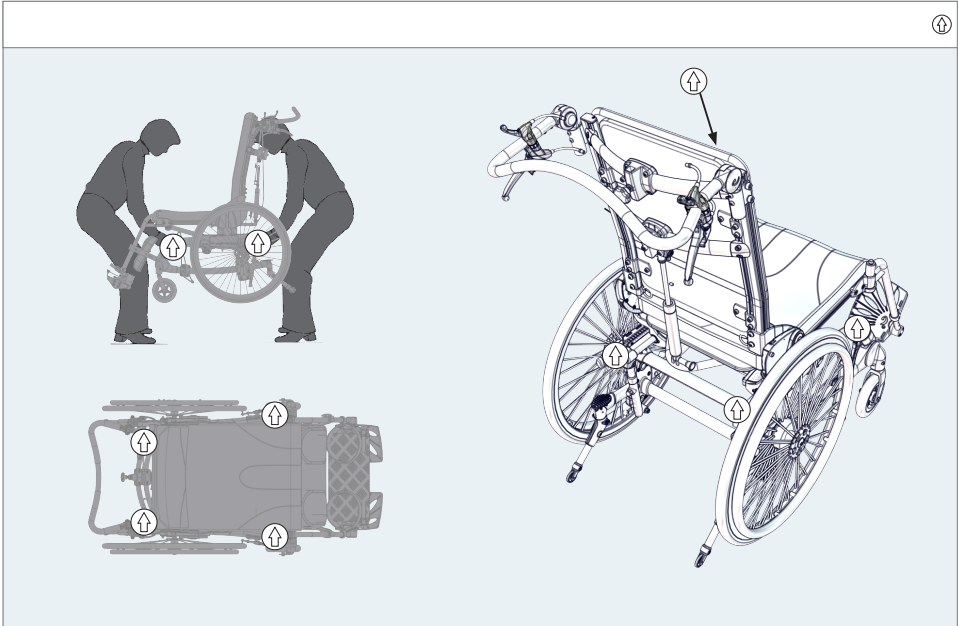


Mounting guide
9996097143



Mounting guide
9996097248





GB READY FOR USE

The Cougar is shipped folded so that it takes up as little room as possible during transport.

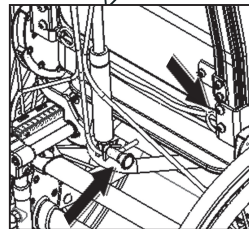
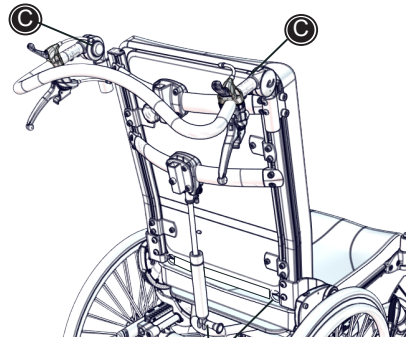
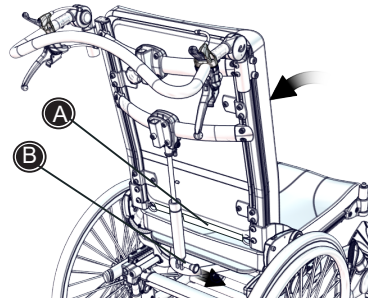
To use the Cougar, please follow the instructions below.

- 1) Pull the seat all the way back to obtain the correct starting point.
- 2) Pull the strap (A) on the back of the chair to tilt the back into vertical position.
- 3) Then mount the gas spring. Pull the handle (B) mount the gas spring and let go of the handle. Make sure it clicks into place.
- 4) Turn and fasten the push brace in the desired position. (C).

Now your Cougar is ready for use.



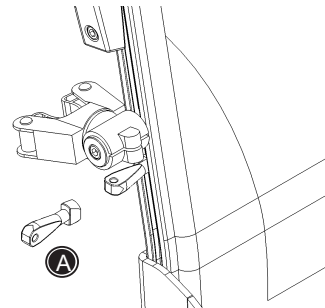
Make sure that the locking mechanism at the end of the straps, and the handle (B) for the gas spring click into place when tilting the back.



GB T-TOOL

The T-tool (A) helps to maintain the square plates in the slot, when mounting or adjusting eg. side support etc.

Insert tool into slot, twist 90° and tip down to support the plate.



GB SITTING AND TRANSFERRING FROM THE COUGAR

Before placing the user into the Cougar the wheel locks must be locked in place and the footplates lifted to the sides or the leg rests removed.

Place the user into the Cougar and adjust the accessories to achieve the optimal seating for the user.

It is not necessary to remove the leg rests if the user is transferred in or out of the Cougar using a sling.


GB GAS SPRING ADJUSTMENT


Occasionally the gas spring may need to be adjusted. The adjustment is only necessary when:

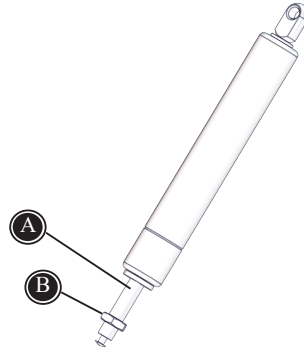
- the gas spring releases itself slowly
- the gas spring can not be released at all

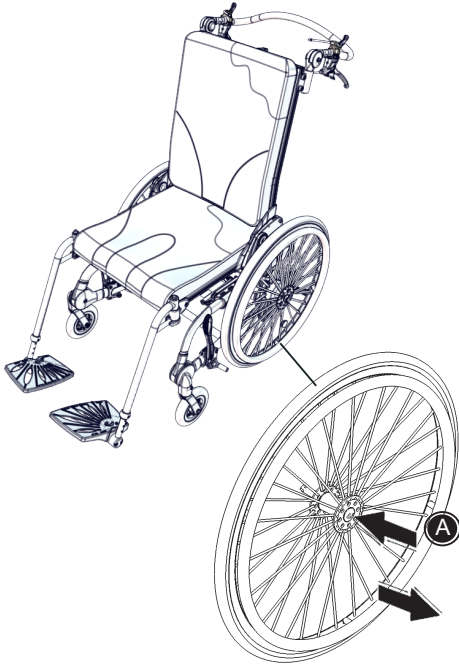
If the gas spring releases itself; loosen the nut (B) with a 17 mm wrench. Next turn the piston rod (A) counter clockwise to tighten. Then fasten the nut (B) again.

If the gas spring can not be released at all; loosen the nut (B) with a 17 mm wrench. Then turn the piston rod (A) clockwise to loosen. Fasten the nut (B) again.

 Do not expose the gas spring to pressure or high temperatures. DO NOT puncture.

 Do not expose the piston rod to scratches ect. It is important to use a cloth or the like, if tools are used to adjust the gas spring.





GB QUICK RELEASE WHEELS

Quick Release axle pins on the rear wheels is a standard feature of the Cougar - This aids in quick and easy removal (A): Push the release mechanism in the middle of the wheel and pull to remove the wheel.

To remove the wheel depress the release mechanism (A) located in the middle of the wheel. Slide the axle pin with the wheel away from the chair.



When replacing the wheels please make sure that the release pin head clicks back out to lock the wheel to position.



Pull on the wheel to confirm that the axle pin has locked back into position.

GB ANGLING THE SEAT & BACK

Angling the seat (tilt in space):

Activate the left handle (A) on the push handle to adjust the angle of the seat.

The Cougar can be ordered with or without a gasspring for reclining the back. Please follow the description below to angle the back on your Cougar:

Angling the back (with gasspring mounted):

Activate the right handle (B) on the push handle to adjust the angle of the back.

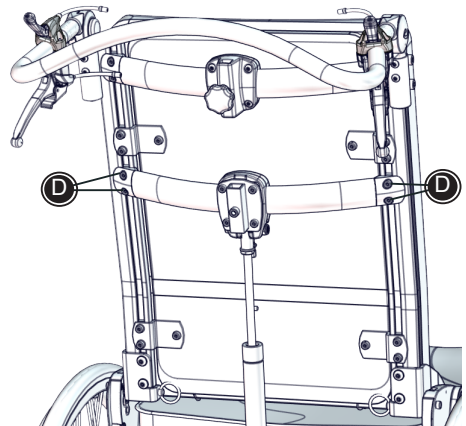
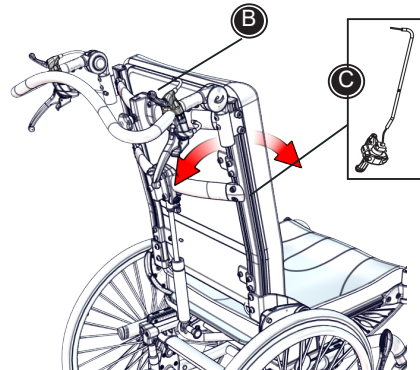
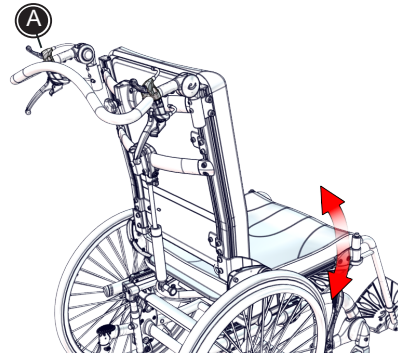
User-operated back adjustment:

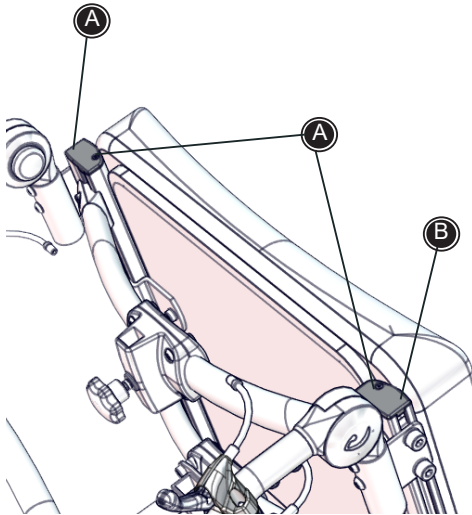
The Cougar can be equipped with an user-operated back adjustment (C). Mount the handle in the rail on the back.

The angling adjustments are easy, even with a user sitting in the chair.

Angling the back (with fixed bar mounted):

Loosen the screws (D) using a 5 mm Allen key and adjust the height of the cross bar. When adjusting the height of the bar the angle of the back will automatically change. Fasten the screws in the desired position.





GB MOUNTING THE PUSH BRACE

Follow the instructions below to mount the push brace.

- 1) Remove the ferrules (A) at the top of the frame.
- 2) Push the push brace into the slides, and tighten the 2 screws (B) in each side.



The top screw is fitted to the mark in the slide to secure that the push brace can not be pulled up when in use.

- 3) Mount the ferrules (A) again.



GB ADJUSTMENT OF THE PUSH BRACE

The angle of the push handle is easy to adjust so that it can be used by carers of different heights.





Do not pull/lift the chair with the push handle, especially on stairs.

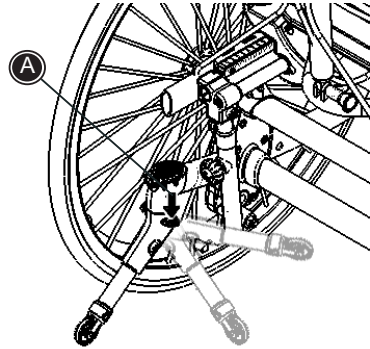
GB ANTI-TIP DEVICE

Anti-tips are standard equipment on the Cougar. The anti-tip devices are mounted on the back of the chair beneath the seat.

Activate the anti-tip device with the foot at position (A). To deactivate, turn it around 180°.

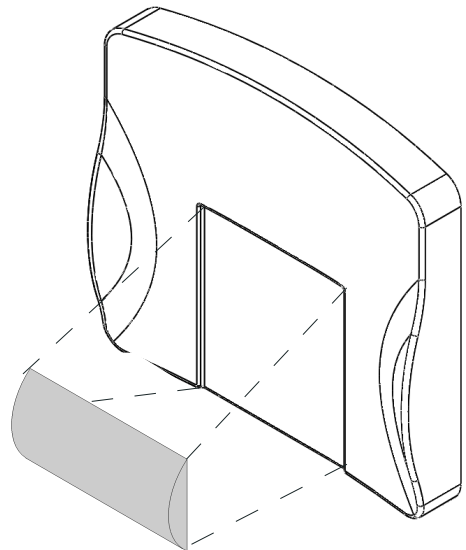
 The anti-tip device must be activated when the wheelchair is tilted.

 We recommend periodically checking the anti-tip devices to make sure they are in proper working condition.



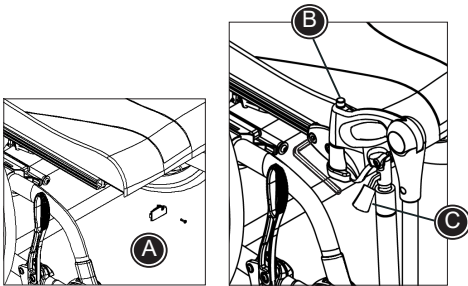
GB ADJUSTING THE LUMBAR SUPPORT

- * Remove the cover.
- * Place the lumbar support at the requested spot on the back cushion, so it sticks to the velcro.
- * Put the cover back on.

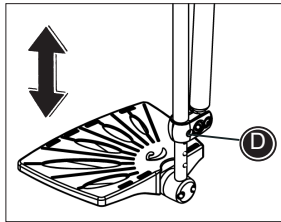


GB LEG RESTS AND FOOT PLATES

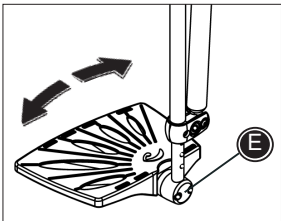
Follow the directions below to install leg rests on the Cougar:



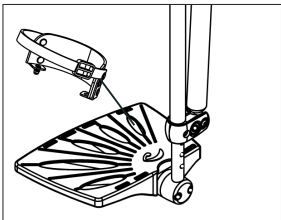
- 1) Installation of the leg rests:
Remove the end-piece (A) by using a screwdriver. Install the fittings for leg rests and fasten with the enclosed 5 mm Allen key. Reinstall the end-piece. Place the leg rest in the fitting. Push down the release button (B) when installing/removing the leg rest. Make sure the release button clicks into place.
- 2) "Swing-away" function:
Push down the release button (B) and pull the leg rest up a little to be able to swing it to the side. Turn the leg rest into place and make sure the release button (B) clicks into place for use.



- 3) Angle adjustable leg rests:
Push down the handle (C) to angle the leg rests individually.
- 4) Height adjustable foot plate:
Remove the screw (D) by using the enclosed 5 mm Allen key. Adjust the height of the foot plate and replace the screw.



- 5) Angle adjustable foot plate:
Use the enclosed 5 mm Allen key to loosen the screws (E). Adjust the angle of the foot plate individually and fasten the screws.



- 6) Mounting of heelstops:
Place the heelstop on the footplate and fasten with the enclosed screws through the holes in the plate.

GB SEAT HEIGHT ADJUSTMENT

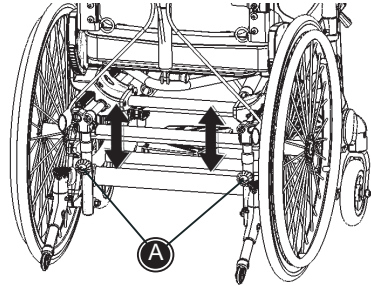
Follow the directions below to adjust the seat height of the Cougar:

- 1) Undo the nuts (A) and remove the bolt from the frame.
- 2) Adjust the height to the required position.
- 3) Replace the bolt and fasten the nuts.

! Make sure that the seat height is the same at both sides of the frame.

! Please be aware that the angle of the seat changes as the seat height is adjusted.

! The user must not be in the chair while the height adjustment is made.



GB ADJUSTMENT OF THE SLIDE BAR FUNCTION

Release the gas spring on the back of the chair by activating the right handle (A) on the push brace.

Pull the seat all the way back to obtain the correct starting position for adjustment.

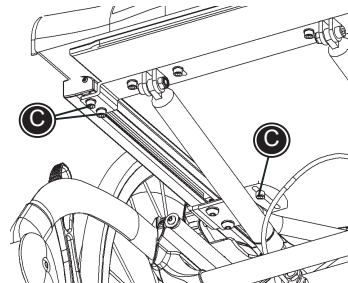
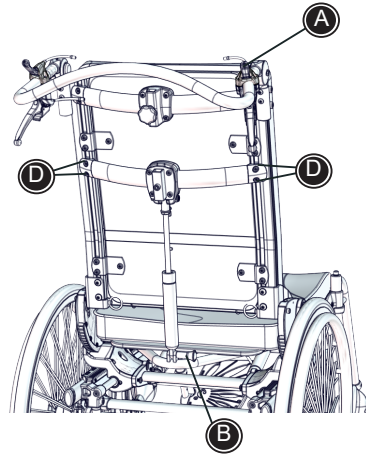
Follow the description below to adjust the slide bar function:

- 1) Remove the lower part of the gas spring (B).
- 2) Loosen the screws (C) beneath the seat and adjust to the required position. Fasten the screws.
- 3) Loosen the screws (D). Adjust the height of the bar on the back to be able to replace the lower part of the gas spring. Then tighten the screws.

! Please ensure that the fitting beneath the seat is the same on both sides of the frame.

! The height of the bar must be the same on both sides of the chair.

! The user must not be in the chair while the seat angle adjustment is made.

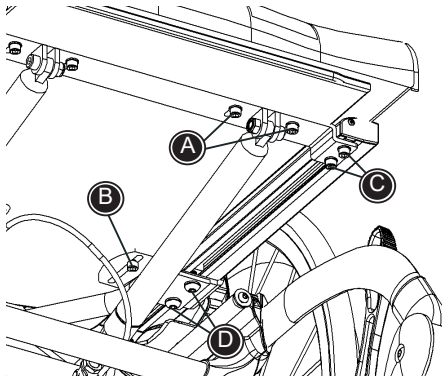


GB SEAT DEPTH ADJUSTMENT


Release the gas spring on the back of the chair by activating the right handle on the push brace.


Pull the seat all the way back to obtain the correct starting position for seat depth adjustment.

The seat can be adjusted up to 10 cm in depth. Follow the directions below for correct adjustment.



- 1) Tip the chair backwards so that the wooden seat plate beneath the chair is accessible. Remove the leg rests to get a better view.
- 2) Remove the screws (A) and (B) by using the enclosed 5 mm Allen key.
- 3) Move the wooden plate into the required position. The pre-drilled holes in the wooden plate have an interval of 5 cm.
- 4) Replace and tighten the screws (A) and (B).
- 5) Loosen the screws (C) and (D) on each side of the chair to move the rails forward/backward.
- 6) Tighten the screws (C) and (D) in the required position.

 Do not activate the handle for seat angling during the above adjustment.

 The bar on the back must be adjusted to the same position on both sides.

GB WHEEL LOCK

Wheel locks are mounted on the lower frame and can be operated by either user or helper.

- * Push the handle forward to lock the wheel
- * Pull the handle backward to loosen the wheel lock

The wheel locks are installed on the frame and can be moved forward and backward, depending on wheel size and brake efficiency. Move the fittings backward and the chair will be locked more. Move the fittings forward and the chair will be locked less efficiently.

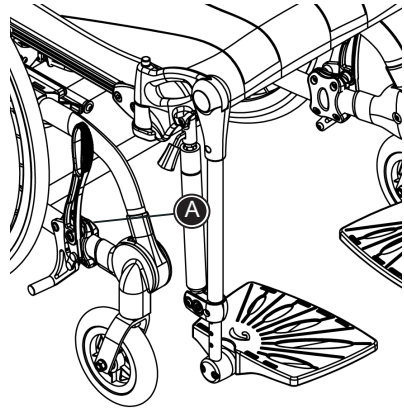
Loosen the screws (A) with the enclosed 4 mm Allen key to adjust the placement of the wheel lock. Fasten the screws in the desired position.

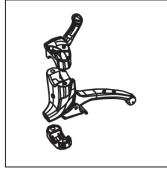
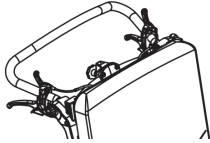


Keep the recommended air pressure, 55 PSI/3,8 bar/380 kPa in the rear wheels, to make sure the brakes work properly.



To ensure the safety of the user, we strongly recommend distance of 8-10 mm, between the wheel and the wheel lock block.





GB DRUM BRAKE

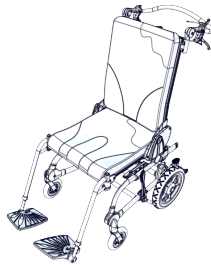
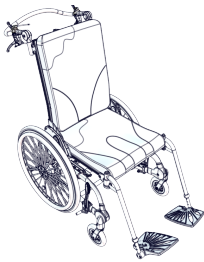
The drum brake handles are installed on the push brake and are operated by the helper.

- * Squeeze the handle to activate the brake.
- * Pull the red handle to disengage the brake.

GB WHEEL COMBINATIONS

The recommended wheel combinations on the Cougar are described below.

If another seat height is desired, use the seat height adjustment described elsewhere in this manual.



Wheel combinations:

	12½"	20"	22"	24"
6"	✓	✓	✓	✓
8"	✓	-	✓	✓



It is important to adjust the angle of the front fork if the wheel size is changed. To ensure proper rolling keep the front forks perpendicular to the floor and both front forks at same angle.

Make sure that the right anti tip safety is used.

	12½"	20"	22"	24"
6"	short	short	long	long
8"	short	-	long	long

R82[®]

by Etac

GB

CHANGING POINT OF GRAVITY

The point of gravity can be changed on the Cougar by changing the seat and wheel placement.

Seat placement:


- 1) Remove the rear wheels
- 2) Loosen the 4 screws (A) on both sides of the frame.
- 3) Dismount the height adjustment (B)
- 4) Move the seat backwards or forwards by slightly pulling the frame to the sides. Move the unit (into position A, B or C). Make sure the fittings (C) "clicks" into place.


Wheel placement:


- 1) Dismount the height adjustments (D).
- 2) Dismount the wheel suspensions (E) on both sides of the frame.
- 3) Flip the seat unit away from the frame and remove the 7 screws from the plastic part (F). The outer cover plate can now be removed. Remove the small plastic plugs from the holes on the inside of the frame.
- 4) Now the wheel suspension on the cross bar can be moved into the desired position (A, B or C). Pull slightly the frame to the sides and move the wheel suspension forward or backward. Make sure the wheel suspension "clicks" into place in the desired position.
- 5) Remount the screws and the cover plate. The plastic plugs are remounted in the holes in the seat unit and flipped back into place. Remount the wheel suspension and the rear wheels.


The Cougar is ready for use.

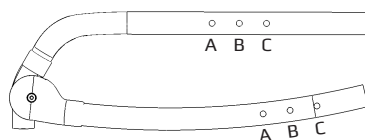
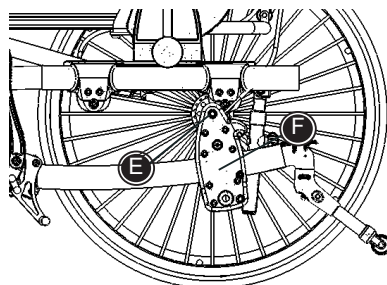
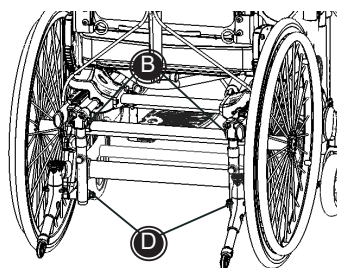
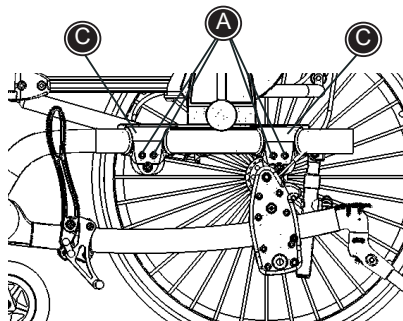
Remember that the wheel locks also need to be moved forwards or backwards.

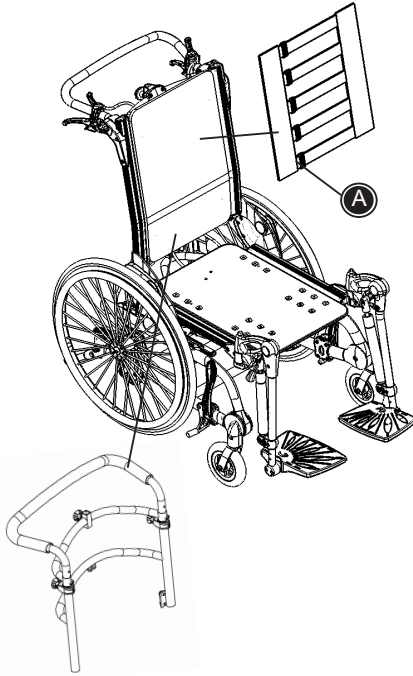
 When 24" wheels are placed in the front position A, drumbrakes must be used.

 We recommend that the seat placement adjustment is made by a skilled technician.

 It is important to tighten all screws securely and inspect them regularly, especially after adjustment of the center of gravity.

 If the center of gravity is adjusted towards the front of the chair, the chair may become tippy. We recommend activating the anti-tips.





GB COUGAR BACK

The Cougar may be purchased with either a wooden back, strap back or manufactured for a special back system.

Back with a wooden plate:

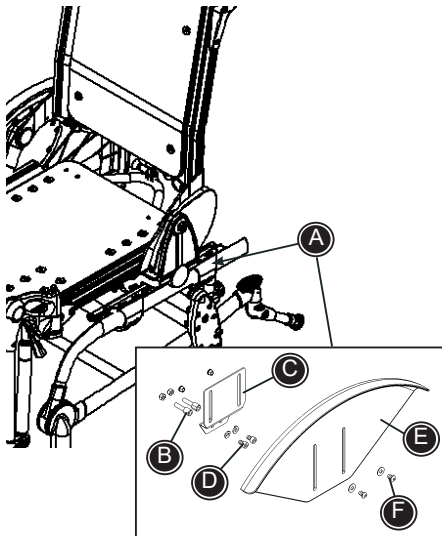
The wooden plate is mounted in the rails on the back.

Strap back:

The strap back is mounted in the rails on the back. The straps can be adjusted to obtain e.g. more or less lumbar support. The straps are equipped with velcro (A) to aid the adjustment.

Prepared for foreign back:

The Cougar can be manufactured for special backs from other manufacturers to be installed. The "special" back and its fittings can be mounted on the round tubes in the back. Follow the instructions which is included with the "special" back.



GB MUDGUARD

Mudguards can be mounted on the Cougar. Follow the description below to mount the mudguards correctly:

- 1) Mount the fitting for the mudguards in the plastic fitting on the rear part of the frame (A). Remove the two screws and mount the enclosed bushings (B).
- 2) Then mount the fitting (C) using the enclosed spring washer and bolts (D). Use the 5 mm Allen key.
- 3) Finally place the mudguards (E) in the fittings. Bolts, washers and nuts (F) are pulled as far up the rails as possible and tightened.



On some adjustments of the chair it might be an advantage to mount the mudguard on the other side of the fitting.

GB ARMRESTS WITH SIDE PLATES AND ARMREST EXTENSIONS

Loosen the screw and remove the end piece from the seat rail. Install the armrest fitting in the seat rail (A) and fasten with the enclosed 5 mm Allen key.

The fittings can be moved forward or backwards depending on where the armrests need to be placed.

Mount the armrest in the fitting. Push the button (B) and move the armrest up/down to the desired position. Release the button to lock.

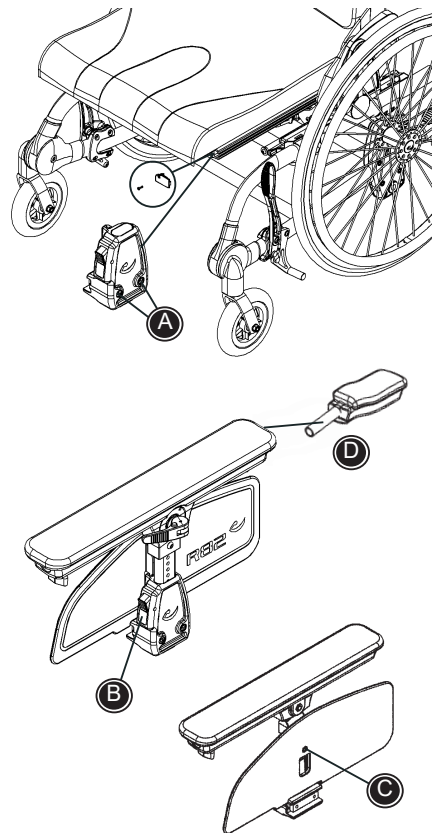
Side plate:

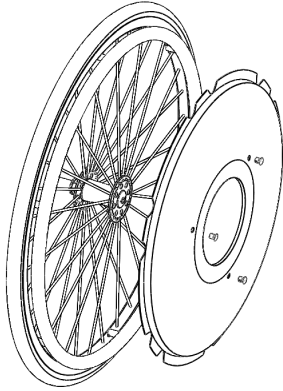
At delivery the side plate is installed on the armrest bar. The side plate can be adjusted up or down depending on where the side plate is needed. Remove the screw (C) using the enclosed 5 mm Allen key. Move the side plate to the desired position and reinstall the screw.

The side plate can also be used without the armrest. Remove the side plate and place it in the small hole in the armrest fitting. The side plate is not height adjustable in this position.

Armrest extension:

The armrest can be equipped with an extension. Install the extension in the end of the armrest (D) and fasten with the fingerscrews.

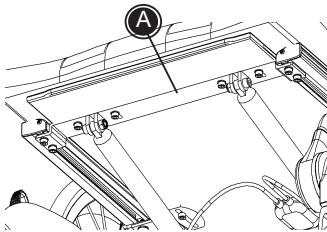




GB SPOKE PROTECTORS

Follow the description below to mount spoke protectors on the Cougar:

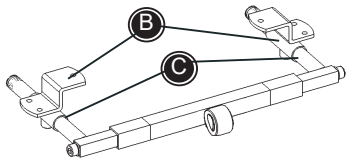
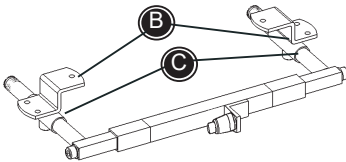
- * Place the protector on the spokes
- * Mount the enclosed clips through the holes in the spoke protectors and click into place on the spokes.



GB MOUNTING OF FOOT SUPPORT

The Cougar can be equipped with various foot supports and foot support bars. Follow the description below for correct mounting:


- * Dismount the fittings (A) under the seat og mount the new fittings (B).
- * Place the footrest mounting i the pipes on the fittings (B).
- * Mount the desired foot support bar and foot supports/ footplate, and the Cougar is ready for use.

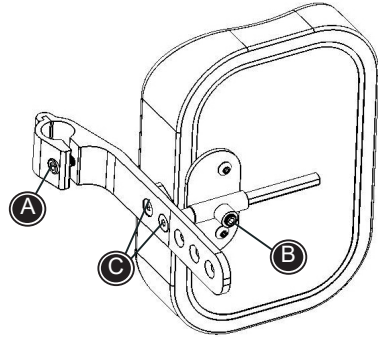


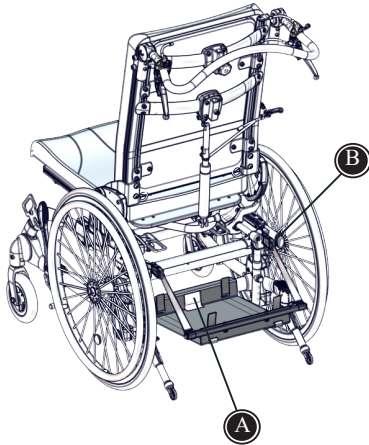
GB LEG SUPPORT

The calf support can easily be adjusted in height and angle.

- * Height adjustment. Loosen the screw (C).
- * Sideway adjustment. Loosen the screw (D).
- * Angling. Loosen the screws (E).
- * Depth adjustment. Reposition the screws (E) in the mounting plate.

 Make sure that all the screws are tightened securely.



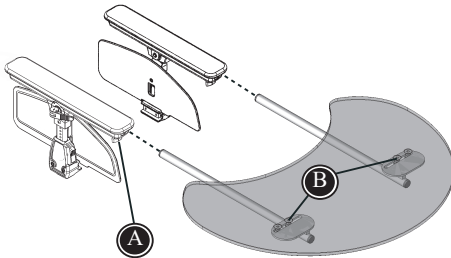


GB CANE HOLDER

A cane holder can be mounted on the Cougar. Mount the fittings respectively on the top and on the bottom of the frame.

GB VENT TRAY FOR VENTILATOR

- * Place the vent tray on the bottom bar on the frame (A).
- * Drill a 5 mm hole on each side of the frame and mount the straps with the enclosed bolts (B).
- * Adjust the quick release straps to place the vent tray in horizontal position. Please note that when used in transportation the vent tray has been designed for quick and easy removal.



i Once set the Ventilator can be secured using the restraining straps provided.

i You could ask your local dealer for help on mounting the vent tray.

GB TRAY

Mount the tray in the end of the armrests, fasten with the fingerscrews (A).

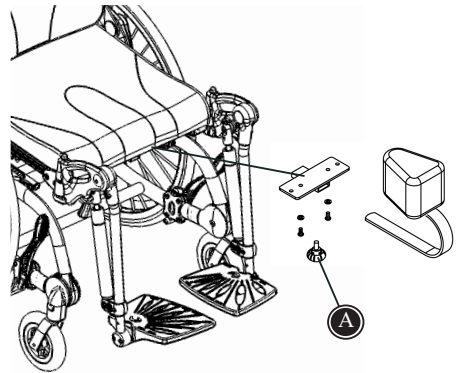
Use the enclosed 5 mm Allen key to adjust the width of the tray (B).

GB POMMEL

The pommel may be purchased as an accessory for the Cougar.

Install the fitting in the pre-drilled holes located below the seat. Use the enclosed screws and the 4 mm Allen key.

Install the pommel in the fitting and fasten with the fin-gerscrews (A).

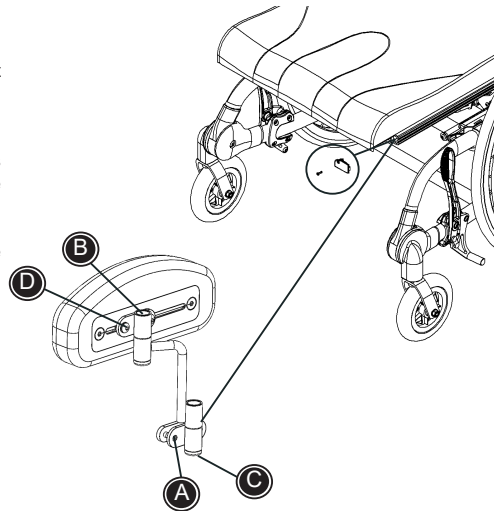


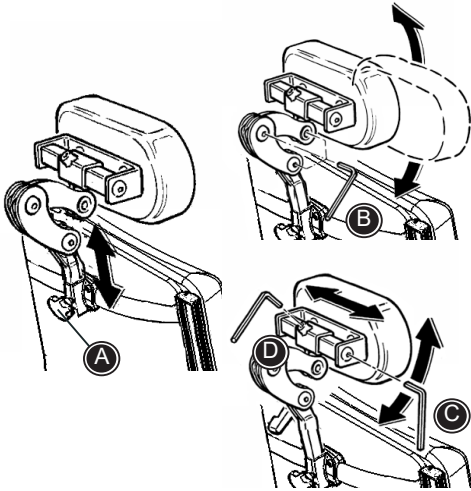
GB HIP SUPPORTS

Loosen the screw and remove the end piece from the seat rail. Mount the hip supports and fasten with the enclosed 3 mm Allen key (A).

The hip supports are multi-adjustable. Loosen the screws (B) and (C). Adjust the hip support and fasten with the enclosed 5 mm Allen key.

The hip supports can be adjusted in depth. Loosen the screws (D) in the fitting using the enclosed 3 mm Allen key. Adjust the depth in the fitting and fasten in the desired position.



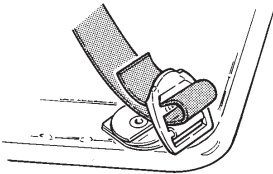


GB HEAD SUPPORT

Install the head support in the fitting on the back of the chair. Fasten with the fingerscrews (A).

Loosen the Allen screws (B) to adjust the head support bar. It is a good idea to loosen all screws at one time. Make the adjustment and fasten all screws.

Adjust the angle (C) and adjust the head support side-ways (D).



GB VESTS & BELTS

As standard feature the Cougar is equipped with belt attachments for e.g. a hip belt.

More vests and belts can be installed on the chair. Install fix-locks as described above.



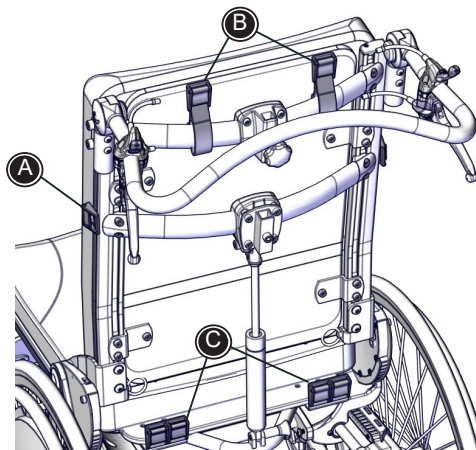
Take care that all the fixations and adjustments are placed and fitted correctly and check it on a regular basis.

GB FIX-LOCKS

Fix-locks can be mounted in the rails of both the seat and the back (A). The fix-lock with the v-track is placed in the rail. Turn the v-track to horizontal. Pull the fix-lock outwards while it is fastened with the enclosed 3 mm Allen key.

Two fix-locks with straps can be mounted on the top bar on the back (B). Mount the strap around the bar with the metal buckle on the inside. Fasten the strap in the metal buckle and tighten securely.

Fix-locks can also be mounted on the back of the seat (C). Mount the fitting with the fix-locks in the pre-drilled holes on the upper side of the wooden plate. Use the enclosed screws to fasten the fitting.



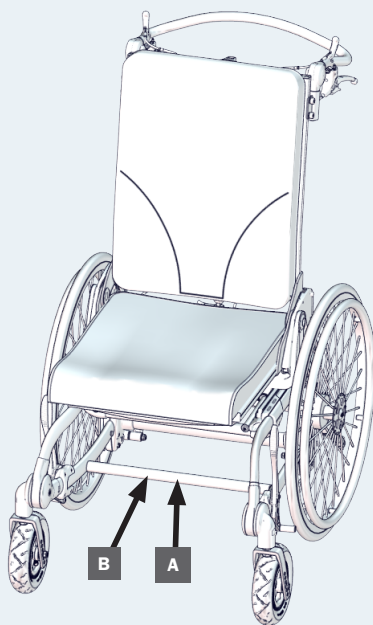
GB PRODUCT IDENTIFICATION

A) Serial number

The label is placed to the left on the front cross bar beneath the seat.

B) Manufacturer

The label is placed to the far left on the front cross bar beneath the seat.



A

R82[®]
by Etac

R82 A/S, Parallevej 3
DK-8751 Gedved
etac.com
Made in xxxxxxxx

MD

CE UK CA

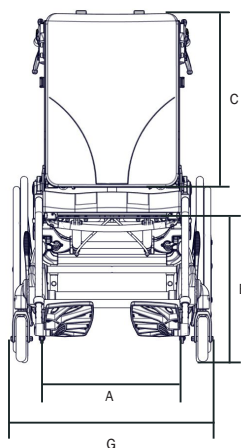
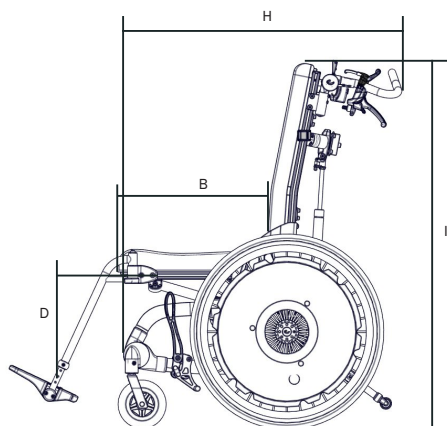
YYYY-MM-DD

B

Posting group
Product name, size x

DMR ver.: xxxx ▲ Max. user mass: xxx kg
 ▲ Max. rated load: xxx kg
 SN: xxxxxxxxxxxxxxxx ▲ Mass device: xxx kg
 REF: xxxxxxxxxxxxxxxx

UPC (XX)XXXXXXXXXXXXXXXX(XX)XXXXXX(XX)XXXXXX



GB MEASUREMENTS

	Size 1 mm (inch)	Size 2 mm (inch)	Size 3 mm (inch)	Size 4 mm (inch)
Effective seat width (A)	350 (13 ³ / ₄ "	400 (15 ¹ / ₂ "	450 (17 ¹ / ₂ "	500 (19 ¹ / ₂ "
Effective seat depth (B)	370-470 (14 ¹ / ₂ -18 ¹ / ₄ "	370-470 (14 ¹ / ₂ -18 ¹ / ₄ "	430-530 (16 ³ / ₄ -20 ³ / ₄ "	490-590 (19-23")
Backrest height (C)	450 (17 ¹ / ₂ "	500 (19 ¹ / ₂ "	600 (23 ¹ / ₂ "	600 (23 ¹ / ₂ "
Footrest to seat distance, angle leg rests (D)	280-460 (11-18")	280-460 (11-18")	280-460 (11-18")	280-460 (11-18")
Footrest to seat distance, fixed leg rests (D)	240-420 (9 ¹ / ₄ -16 ¹ / ₄ "	240-420 (9 ¹ / ₄ -16 ¹ / ₄ "	240-420 (9 ¹ / ₄ -16 ¹ / ₄ "	240-420 (9 ¹ / ₄ -16 ¹ / ₄ "
Seat surface height at front edge (E)	460-530 (18-20 ³ / ₄ "	460-530 (18-20 ³ / ₄ "	460-530 (18-20 ³ / ₄ "	460-530 (18-20 ³ / ₄ "
Overall width, 22" wheels & drum brake (G)	570 (22 ¹ / ₄ "	620 (24 ¹ / ₄ "	670 (26 ¹ / ₄ "	720 (28")
Length (H)	780 (30 ¹ / ₂ "	780 (30 ¹ / ₂ "	830 (32 ¹ / ₄ "	830 (32 ¹ / ₄ "
Overall height to backrest (I)	960 (37 ¹ / ₂ "	990 (38 ¹ / ₂ "	1080 (42")	1100 (43")
Folded without leg rests:	780 (30 ¹ / ₂ "	780 (30 ¹ / ₂ "	830 (32 ¹ / ₄ "	830 (32 ¹ / ₄ "
Folded height, to the top of the back	660 (25 ¹ / ₄ "	660 (25 ¹ / ₄ "	660 (25 ¹ / ₄ "	660 (25 ¹ / ₄ "
Folded length, without leg rests	780 (30 ¹ / ₂ "	780 (30 ¹ / ₂ "	830 (32 ¹ / ₄ "	830 (32 ¹ / ₄ "
Minimum turning radius	880 (34 ¹ / ₄ "	940 (36 ³ / ₄ "	970 (37 ³ / ₄ "	1000 (39")
Mass device, weight w/strap back, w/leg rests	25 kg (55 lb)	26 kg (57 lb)	27 kg (59.5 lb)	28 kg (61.5 lb)
Max user mass	75 kg (165 lb)	75 kg (165 lb)	100 kg (220 lb)	120 kg (264 lb)
Max user mass in transportation	75 kg (165 lb)	75 kg (165 lb)	75 kg (165 lb)	75 kg (165 lb)
Max rated load	102 kg (224.8 lb)	103 kg (227 lb)	129 kg (284.3 lb)	150 kg (330.9 lb)
Seat plane angle:	37° (45°)	37° (45°)	37° (45°)	37° (45°)
Backrest angle:	35°	35°	35°	35°
Leg to seat surface angle	90°	90°	90°	90°

The Cougar is measured with the following wheel combination, placed in the standard wheel position: 22" rear wheel and 6" front wheel. The Cougar is measured with comfort cushions mounted and the seat in horizontal and back in vertical position. We supply various types of leg rests and cushions, which is why the weight is listed without.

Different settings may result in different measurements.

Product safety

Due to variant and settings the wheelchair may become larger than the recommended dimensions. Compliance with recommended overall width and overall length ensures unhindered use of emergency escape routes. (See table 1)

Table 1

Recommended dimensions	Ready for use (mm)
Overall length - maximum	1200
Overall width - maximum	700
Overall height - maximum	1200
Turning diameter - maximum	1000
Pivot width - maximum	1300
Ground clearance - minimum	30

Product safety

Due to variant and settings the wheelchair may not meet the limits for wheelchairs transportable by train. Measures can be taken to verify whether the specific product in question meets the limits. (See table 2)

Table 2

Wheelchairs transportable by train - limits	
Overall length - maximum	1200 mm + 50 mm for feet
Overall width - maximum	700 mm + 50 mm on each side for hands
Overall height - maximum	1375 mm (including 95th percentile male occupant)
Turning diameter - maximum	1500 mm
Smallest wheels	Accommodate a gap of 75 mm horizontal and 50 mm vertical
Weight - maximum	200 kg for manual wheelchair and occupant (including baggage)
Obstacle height that can be overcome - maximum	50 mm
Ground clearance - minimum	60 mm under foot rest with upward slope angle of 10° on top for going forward
Safe slope on which the wheelchair remain stable - maximum	6° dynamic stability in all directions 9° static stability in all directions, including with brake applied

GB TECHNICAL DATA

Frame: Powder lacquered aluminium pipes
PA6 parts: Fibre glass strengthened Nylon
Cushions: Fire resistant foam
Cover: Fire resistant Trevira CS

GB MANUFACTURER

R82 A/S

Parallevej 3
8751 Gedved
Denmark
Tel +45 79 68 58 88
Fax +45 75 66 51 92
R82@etac.com
etac.com



Etac Ltd.

Unit 60, Hartlebury Trading Estate,
Hartlebury, Kidderminster,
Worcestershire, DY10 4JB
+44 121 561 2222



Gelbart AG

Tribschenstraße 64
CH-6005 Luzern
+41 41 367 70 17



R82 A/S

Parallevej 3
DK-8751 Gedved



+45 796 858 88



R82@etac.com



www.etac.com

