

ACTA-RELIEF

OPERATION MANUAL



permobilus.com

Supplier: This manual must be given to the user of this product.
Operator (Individual or Caregiver): Before using this product, read the instructions and save for future reference.

ACTA-RELIEF

Parts Included (All Compass® 4 Styles):

- Complete Acta-Relief Assembly with mounting hardware
- 5mm hex key
- 3mm hex key
- 2mm hex key

Parts Included (4 Point Hardware):

- 45 Assembly (Including additional straps for attachment to larger diameter canes)
- 1/8" hex key
- 4mm hex key

Parts Needed (Fixed): 11mm open-end wrench

Compass Hardware (2 Point) - Figure A

- 1 Loosen the two clamp bolts (A) on both sides using the 5mm hex key. Place and then tighten the clamps onto the wheelchair canes.

Note: Make sure the clamps are the same height relative to one another on the canes and they sit square to the wheelchair. Make sure cane clamp locking screws (J) are flush to the inner clamp surface prior to installation.

- 2 Slightly loosen the bolts (B) on both of the sides using the 5mm hex key. Slide the brackets in and out until the wheelchair canes are relaxed. If further adjustments are needed that the bracket cannot accommodate, follow step 2A for Quick Release or 2B for Fixed Compass.
- 2a Quick Release - Release toggle (C) and adjust the clamp angles until the wheelchair canes are relaxed. Then lower the toggle to engage the locking mechanism.
- 2b Fixed - Loosen (but do not remove) the bolts (D) with the 5mm hex key and an 11mm open-end wrench around cone (E). Adjust the clamp angles until the wheelchair canes are relaxed.
- 3 Recommended placement of Compass 4 hardware is in the middle of the slot on each side. Do not mount in the lower half of the slot. Once the hardware is at the correct position with the wheelchair canes relaxed, fully-tighten bolts (B) on both sides. If bolts (D) were loosened in step 2B, tighten bolts (D) with a 5 mm hex key and an 11mm open-end wrench around cone (E) between 90-110 in-lbs.

Note: The installation of the back support is complete. Adjustments can now be made with the user seated during the process.

- 4 If additional height adjustment is needed, lightly loosen either the bolts (A) or (B) on both of the sides, using the 5mm hex key. The back support can slide up and down using either the slot on the back support shell or on the canes. Tighten all four of the bolts (A) or (B) again once at the desired height.
- 5 Depth: Loosen the bolt (F) on both sides using the 5mm hex key. The back support can slide forward or backward, up to 2 inches total. Tighten both of the bolts (F) after the back support depth is adjusted.

Note: If additional depth adjustment is needed, Compass can be used in alternate configurations including swapping just the cane clamp or the whole depth adjustment bracket with cane clamp assembly to the opposite side of the wheelchair. See figure C for example.

- 6 Recline: Loosen the top and bottom bolts (G) on both sides using the 5mm hex key so the back support can be tilted. Tighten all four bolts (G) after the back support angle is adjusted.

⚠ When installation and adjustments are complete, all bolts should be tightened to a minimum of 85in-lbs. (This does not include locking screws (H) and (J). Tighten these only until contact is made.)

- 7 Tighten locking screws (H) on both sides using the 3mm hex key to lock angle rotation. These make contact with the recline bolts (G) and prevent angle rotation but may also be used for minor angle adjustments if the bolts (G) are loose. Overtightening of (H) may cause unwanted changes in recline position.
- 8 Tighten the cane clamp locking screw (J) on both sides, using the 3mm hex key. This makes contact with the wheelchair canes to lock in the final clamp position.

Compass Hardware (4 Point) - Figure B

Note: If the alternate Compass 2 Point configuration was used above, 4 Point hardware may need to be reconfigured as well.

- 1 Gently loosen the bolts (K) and (L) on both sides to allow for adjustment of all mounting brackets, using the 4mm hex key.
- 2 Adjust the hardware so that the mounting pegs (M) are resting against the canes, as shown. Tighten the bolts (K) and (L) to set the placement of the hardware.
- 3 Attach the cane mounts to secure each mounting peg against the cane. Remove screw (P) using the 1/8" hex key to release one side of the cane strap (R) and remove from the cane mount (N).

Note: Use the short strap (pre-attached) as is for 7/8" and 1" canes. Use inner strap holes on the shorter strap for 3/4" canes or replace the strap and use the longer strap provided in the kit for 1 1/8" and 1 1/4" diameter canes.

- 4 Place the cane mounts (N) just below the mounting pegs (M) and wrap strap (R) around the cane. Replace the screw (P) and tighten. Complete for both the left and the right sides.
- 5 Tighten the screws located on the front of the cane mounts (not pictured) to fully secure the strap.

Parts Detail:

Fig. A

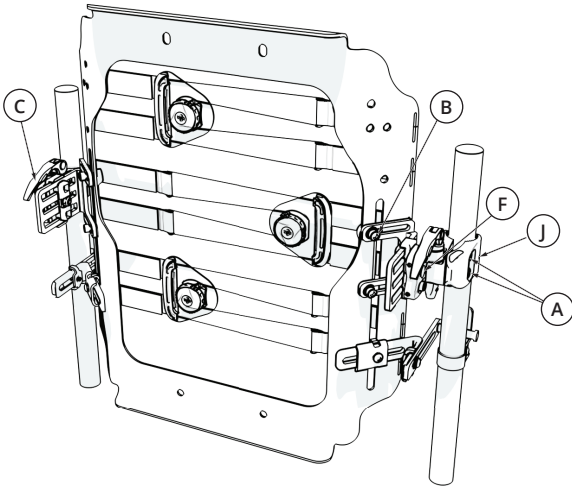
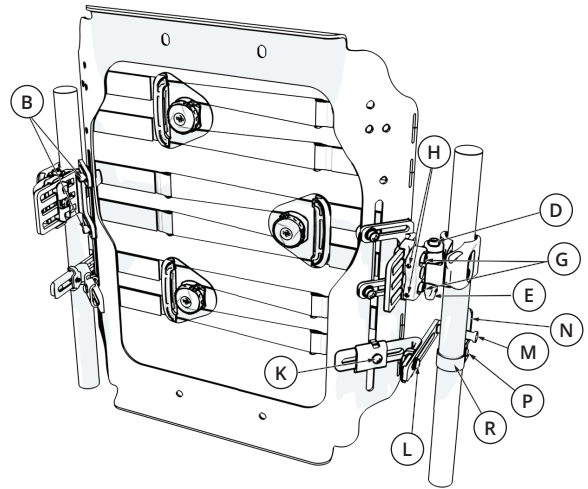


Fig. B



The BOA® Advantage

MICRO-ADJUSTABLE: Each click of the Boa® reel offers one millimeter of precision fit adjustment.

SECURE: Once the Boa® reel is locked into place, it stays that way.

CUSTOMIZABLE FIT: Boa® delivers smooth, even adjustment with no pressure points for maximum comfort.

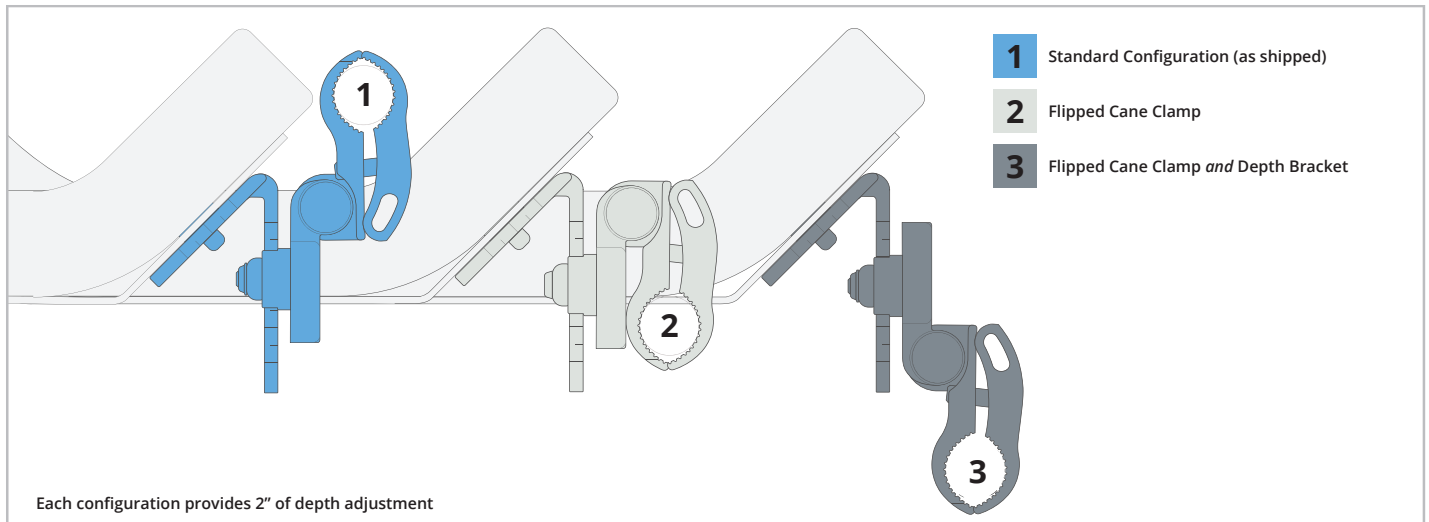
CONVENIENT: The Boa® closure system offers an adjustment solution free of messy straps, ratchets, and fasteners.

Tip: Pop the Boa reels open from the side like a bottle opener using an index finger hooked under the reel while the thumb pushes on the top of the opposite side of the reel.



**Pull to release tension. Push to engage the system.
Turn right to tighten.**

Alternate Compass® 4 Configurations - Figure C



Contact Information: Phone: 800.736.0925 Fax: 406.522.8563 **Customer Support:** orders.comfort@permobil.com

Manufactured by The Comfort Companies, LLC, New Berlin, Wisconsin

Permobil® is a registered trademark of Permobil, Inc.

The Comfort Companies, LLC is a part of Permobil Seating and Positioning.

Product information is changed as needed; current product information is available at comfortcompany.com.

© 2019, 2020 Permobil

permobil | SEATING + POSITIONING

permobilus.com