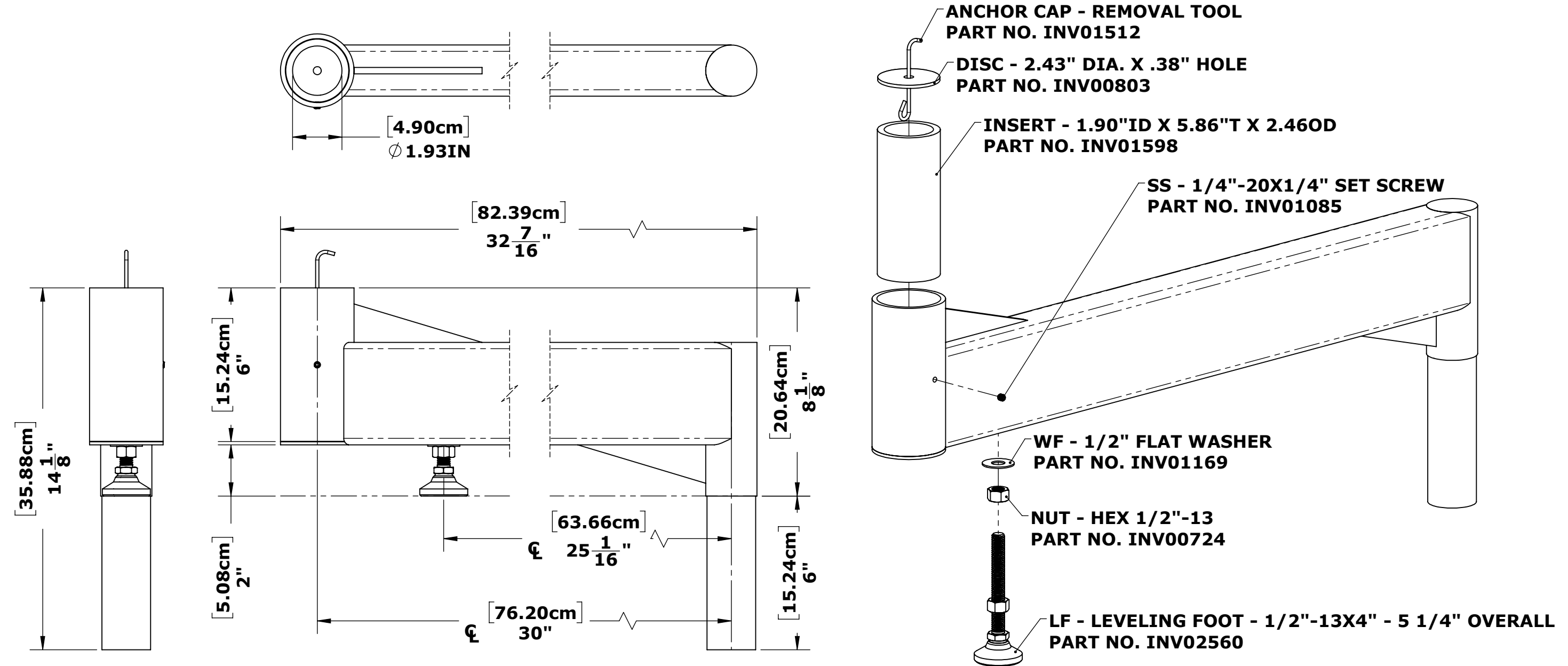


SPECIFICATIONS:

THE AQUA CREEK EZ POOL LIFT EXTENSION ANCHOR SHALL BE AN ALL STAINLESS STEEL ANCHOR WITH A UHMW PIVOT SLEEVE. THE ANCHOR SHALL HAV AN EPOXY POWDER-COATED FINISH FOR ADDED PROTECTION. THE EXTENSION ANCHOR SHALL COME WITH A UHMW PRESSURE FOOT AND ANTI-TAMPER LID.



TOLERANCES
 DIMENSIONS ARE IN INCHES
 UNLESS OTHERWISE SHOWN
 FRACTIONAL: ±1/16
 ANGULAR: ±1°
 TWO PLACE DECIMAL: ±.01
 THREE PLACE DECIMAL: .. ±.005

ANCHOR - EXTENSION - 30.00"
F-031473EZ
PART NO. INV01382

INTERNAL LINKS
[PRODUCTION DRAWINGS](#)
[INSTALLATION MANUAL](#)

MATERIAL: 304 STAINLESS STEEL
FINISH: POWDER COAT - WHITE
APPROX. WEIGHT: 31.33 LBS.



9889 GARRYMORE LANE
 MISSOULA, MT 59808
 (406) 549-0769
 FAX (406) 549-2602
 www.AquaCreek.com

PROPRIETARY AND CONFIDENTIAL INFORMATION
 THIS DRAWING AND ALL INFORMATION CONTAINED HEREIN IS THE SOLE PROPERTY OF AQUA CREEK PRODUCTS LLC. ANY REPRODUCTION IN PART OR AS A WHOLE WITHOUT WRITTEN PERMISSION FROM AQUA CREEK IS PROHIBITED.
 *SPECIFICATIONS ARE SUBJECT TO CHANGE WITHOUT NOTICE

REVISIONS			
REV.	DESCRIPTION	DATE	APPROVED
P1	INITIAL RELEASE	3/29/2022	J.MAXWELL
P2	CHANGED TO 1/2"-13 FASTENERS	3/29/2022	J.MAXWELL

ANCHOR - EXTENSION - 30.00" - INV01382