

User Instruction Manual

Hoyer® Journey

To avoid injury, read user manual prior to use.

Manuel de l'utilisateur

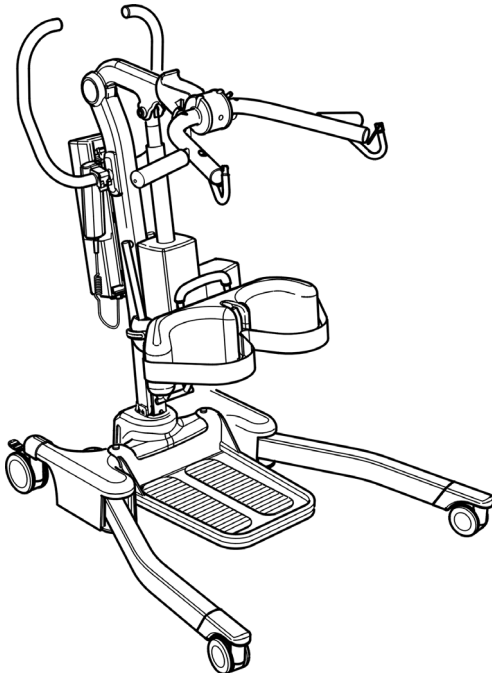
Hoyer® Journey

Afin d'éviter tout accident, veuillez lire attentivement la notice avant utilisation.

Manual de Instrucciones

Hoyer® Journey

Para evitar posibles daños, lea previamente el manual de usuario.

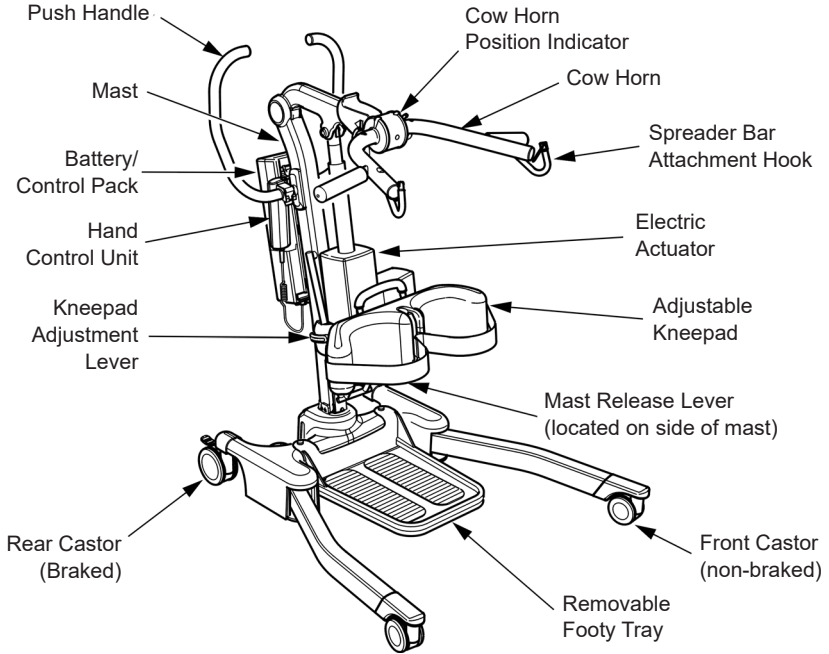


Contents

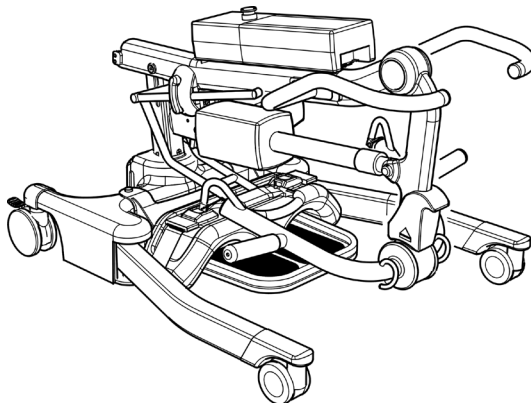
1. The Hoyer Journey Patient Lift.....	3
2. Introduction: About Your Lift	4
3. Assembly & Commissioning Instructions	5
4. Sling Guide.....	10
5. Lifting With Your Hoyer Journey.....	12
6. Standard Control Box & Handset.....	14
7. Smart Monitor & Handset.....	15
8. Operating Instructions	19
9. Safety Precautions	22
10. Charging Instructions.....	24
11. Maintenance Schedule & Daily Check List	26
12. Technical Specifications	28
13. Warranty	31

1. The Hoyer Journey Patient Lift

Ready for use position



Storage position



2. Introduction: About Your Lift

Each Journey lift is fully assembled, load tested and certified before being packed/shipped.

The packing consists of a strong, purpose built carton to ensure the safe arrival of the lift. A number of documents are supplied in a wallet, and packed with each lift and should be kept safely for future reference:

- TEST CERTIFICATE
- USER MANUAL

The TEST CERTIFICATE is an important document and should be kept for reference purposes.

To properly maintain your lift please refer to the maintenance schedule included in this document. If you are at all unsure what your country's servicing requirements are, please check with your dealer and/or a local government agency.

Statement of Intended Use (Journey)

The intended use of this lifting device is for the safe lifting and transfer of an individual from one resting surface to another (such as a bed to a wheelchair). Joerns Healthcare recommends that the transfer of a patient is fully risk assessed and conducted safely over a short distance only.

The Hoyer Journey is suitable for patients in the SITTING position only who have a degree of weight-bearing ability but require assistance to stand. By removing the foot tray, the Hoyer Journey patient lift can also be used as a walking aid following a careful risk assessment.

The Hoyer Journey is designed to support and promote safe patient handling and transfer for both the patient and carer. It can be folded without the use of tools enabling it to be easily stored in environments where space is limited or to facilitate onward transportation in a vehicle with a suitably sized trunk.

The Hoyer Journey stand aid is designed to be used in conjunction with the Hoyer range of slings. The examples of slings suitable for use with this device are listed as follows:

- Hoyer Standing Sling
- Hoyer Transport Sling

It is important that users of this product are adequately trained in correct use and safe manual handling practice. Joerns Healthcare strongly recommends a face-to-face patient risk assessment is conducted to determine the safety and well-being of the patient and carer(s) at all times, before each and every use. Joerns Healthcare cannot be held responsible for incorrect or untrained use that results in injury to the patient and/or carer. If you require training on this or any other product from Joerns Healthcare, please contact us for support.

Expected Service Life

Hoyer Professional lifts are designed and tested for a minimum service life of ten (10) years, subject to the use and maintenance procedures stated in this manual. Use, other than in accordance with these instructions, may compromise service life.

3. Assembly & Commissioning Instructions

Carton Contents

Place the carton in a clear working area and open carefully. The carton contains:

- HOYER JOURNEY LIFT
- BATTERY PACK
- WALLET CONTAINING DOCUMENTS
- CHARGING LEAD
- HAND CONTROL
- DESK TOP CHARGER/STAND

WARNING

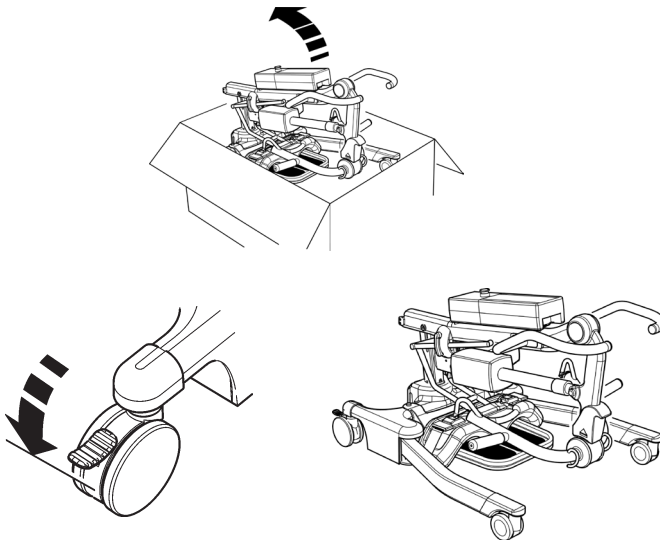
The Hoyer Journey is heavy and will need to be lifted with care. You may need assistance to lift the Hoyer Journey from the carton.

Assembly Instructions

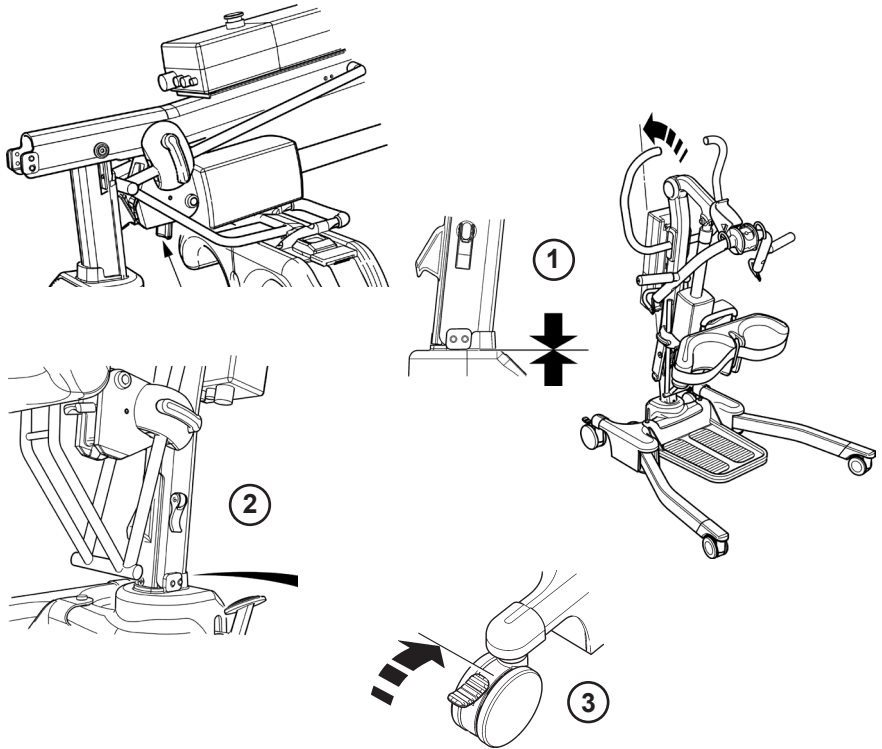
The Hoyer Journey is delivered in its folded/storage position; the following assembly process demonstrates the 3 easy steps required to take the Hoyer Journey from its storage position to its ready for use position. This process is carried out with no additional tools required.

1. Remove all the parts from the carton and place on the floor, taking care to protect the finish from damage.

Lift the Hoyer Journey carefully from the carton. Lie the lift flat on the floor and ensure the rear castors are securely locked.



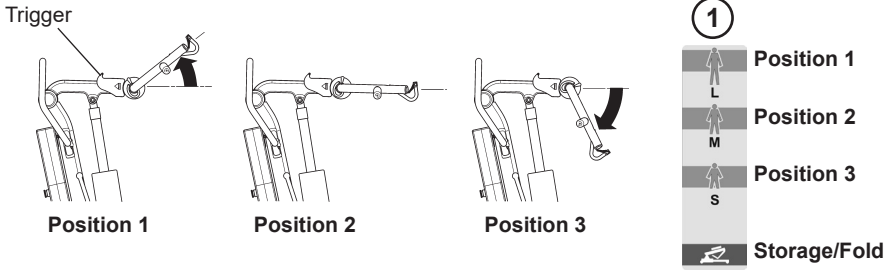
2. To unfold the Hoyer Journey into its ready-to-use position, raise the mast assembly upright. This is achieved by pressing the mast release button located under the actuator (as shown). This will release the mast assembly and allow the mast to be raised. Using the top of the push handle, raise the mast to its upright position and locate the mast into the slot (1). Once the mast is firmly located, use the mast locking lever to secure the mast. This is achieved by turning the mast lever clockwise to tighten and then pushing the mast locking lever down towards the mast surface (2). Finally, release braked castors at the rear and the Hoyer Journey is ready for use (3).



⚠ CAUTION

Avoid trapping fingers. Keep fingers away from the end of the mast when inserting into the mast slot. Tighten the mast-locking device, and unlock the braked castors at the rear.

3. Adjust the cow horn mechanism into one of three positions to suit either the patient task and/or environment. To adjust the cow horn, simply pull the trigger backwards towards the rear of the lift while holding the cow horn. Then select the desired position as indicated on the positioning decal (1) and release the trigger to lock. The lift is now ready for operation.

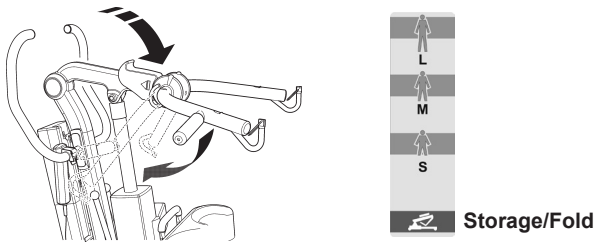


NOTE: See page 12 for cow horn position guidelines.

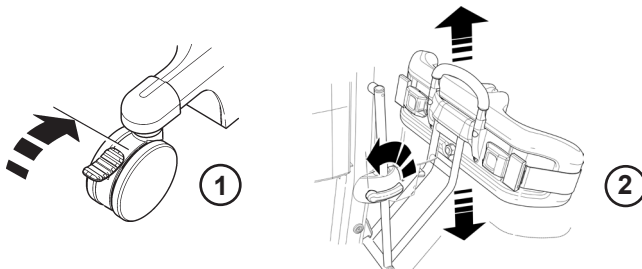
Disassembly

To disassemble and store the Hoyer Journey follow the four easy steps shown below; please note that no additional tools are required.

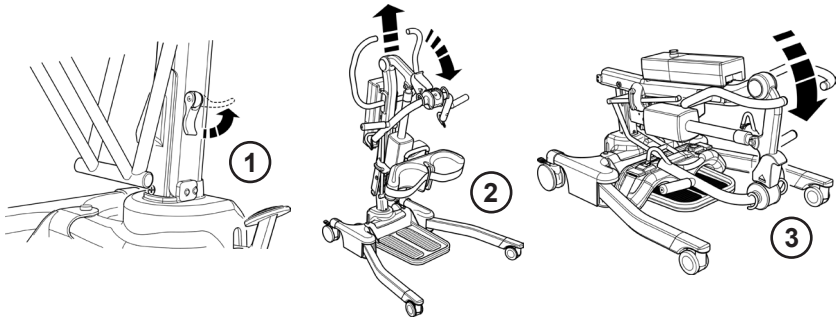
1. Lower the boom into its lowest possible position and adjust the cow horn to the storage/fold position (as shown).



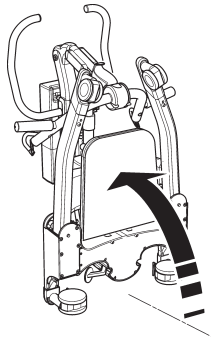
2. Ensure the rear castors are securely locked (1). Raise the knee pad to its upper most position (2).



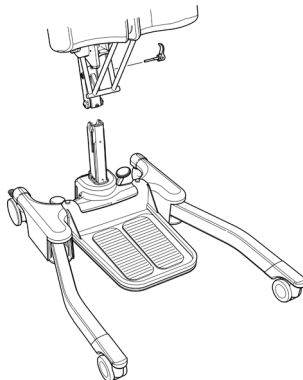
3. Unlock the mast-locking lever by pulling it outwards from the mast (1). Using the push handle lift the mast upwards and then slowly push downwards (2), carefully folding the mast assembly towards the legs until you hear a “Click” (3). The “Click” indicates the mast is now in its locked position.



4. When folded, lift the Hoyer Journey upright using the legs and push handle as a guide.



NOTE: If you wish to separate the mast and boom completely from the base and legs, undo the mast-locking lever fully (remove pin assembly from mast) and lift the mast and boom completely free from the base. Be careful not to lose the mast lock lever and location spindle.

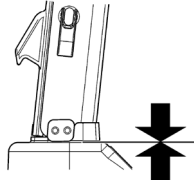


⚠ CAUTION

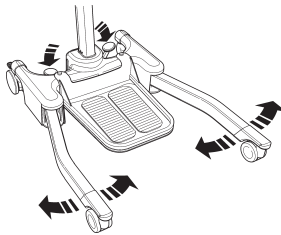
Care should be exercised when folding/unfolding the Hoyer Journey as there is a possible danger of trapping the fingers etc. Please follow the instructions carefully and ask for assistance if you are unsure of the correct procedure.

ALWAYS CHECK THE FOLLOWING BEFORE OPERATION:

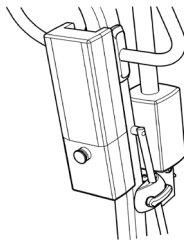
- The mast is fully locked into position (see assembly instructions, page 6).



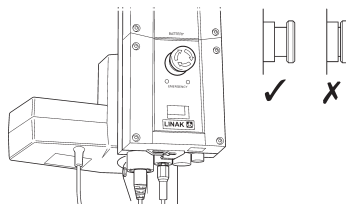
- The legs of the lift open and close freely (Using foot pedals).



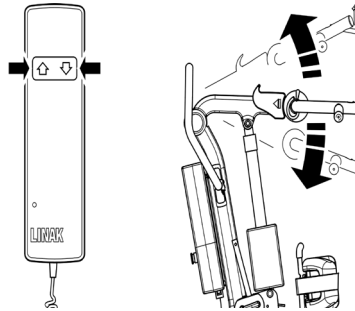
- The power pack is fitted to the lift and the latch holding the power pack in place is fully engaged. A "Click" should be heard when it is in place.



- The red emergency stop button, located on the control box, is in the RUN (out) position.



- The up and down buttons on the hand control lower and raise the boom correctly.



4. Sling Guide

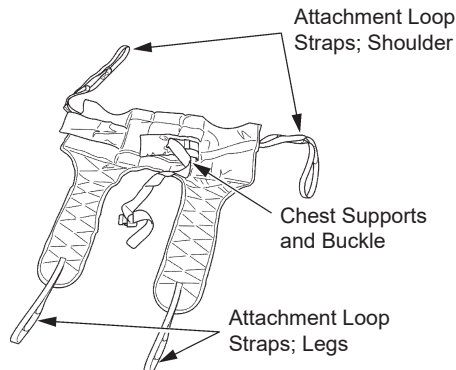
The Hoyer Journey is suitable for patients in the SITTING position. The slings suitable for this device are listed as follows:

- * Hoyer Transport sling (various sizes available)
- * Hoyer Standing sling (various sizes available)

USER GUIDE FOR STANDAID SLINGS

Both the Transport and Standing sling are easy fit slings, suitable for standing and supporting. They are not a general purpose sling. Patients must always be assessed for suitability by a qualified person.

Transport Sling

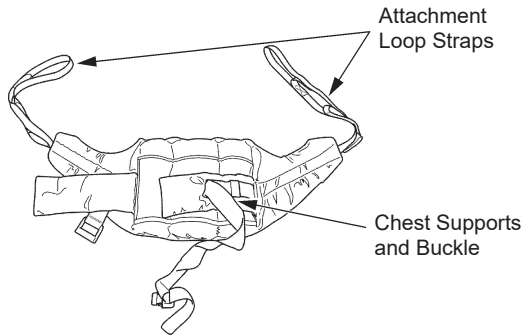


Fitting Instructions

Feed the sling down the back of the patient leaving the top of the commode aperture at the base of the spine. Check the roll part of the sling is square across the patient's back. Attach the support strap around the chest of the patient. This strap need not be tight. It is there to hold the sling in position while attaching the loops to the Standaid. It may be left off altogether if preferred. Ensure patient's arms are on the outside of the sling (refer to Fig. C, page 13).

Raise the patient's leg and feed the leg strap under and up between the legs. Ensure the sling is not twisted or creased under the thigh. Repeat this procedure for the other leg. Attach the loops on the roll parts of the sling to the white hooks at the end of the handgrips. Without crossing the loops on the leg straps, attach to left and right hooks on the lifting fork. You would normally use the middle of the three loops. The patient is now ready to be raised from the seat. Once clear of the seat, the patient will be more comfortable if lowered back in to the sitting position. Joerns Healthcare recommends that slings be checked regularly and particularly before use for signs of fraying or damage. Do not use slings that are worn or damaged.

Standing Sling



Fitting Instructions

Place the sling down behind patients back between base of shoulder blades and bottom of rib cage. Attach the support straps around the front of the patient. This strap need not be tight. It is there to hold the sling in position whilst attaching the sling to the Standaid. It may be left off altogether if preferred. Ensure that the patient's arms are outside the sling (refer to Fig. A, page 13).

NOTE: For detailed fitting instructions, please refer to the user guide supplied with each sling.

⚠ WARNING

Joerns Healthcare recommends that slings be checked regularly and particularly before use for signs of fraying or damage. **DO NOT** use slings that are worn or damaged.

⚠ WARNING

HOYER RECOMMENDS THE USE OF GENUINE HOYER PARTS. Hoyer slings and lifters are not designed to be interchangeable with other manufacturer's products. Using other manufacturer's products on Hoyer products is potentially unsafe and could result in serious injury to patient and/or caregiver.

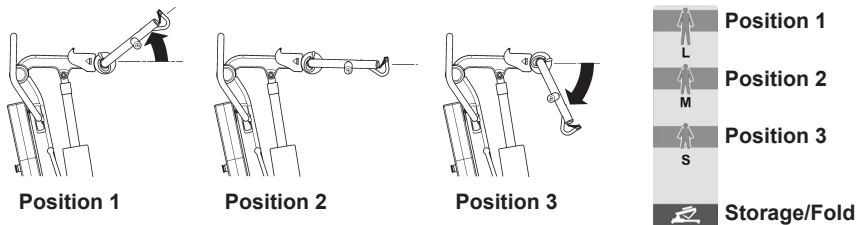
⚠ WARNING

Refer to maximum weight capacity of lift. Sling capacity is limited by the maximum capacity of the lift.

5. Lifting With Your Hoyer Journey

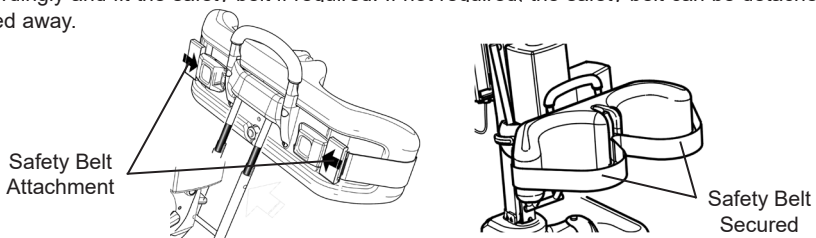
The Hoyer Journey has an adjustable cow horn. This allows the carer to position the cow horn in a comfortable position to suit the patient or environment. The cow horn has 3 positions. Position 1 is more suitable for a large/taller patient, position 2 is more suitable for a medium/average size patient and position 3 is more suitable for a shorter/pediatric patient or when standing a patient from a low chair. (Please note, these are guidelines only, it may be necessary to adjust according to patient comfort). To adjust the cow horn, simply pull the trigger backwards towards the rear of the lift whilst holding the cow horn. Then select the desired position as indicated by the positioning decal and release trigger to lock. The cow horn has 3 alternative positions for lifting and a further one for the storage/fold position.

Cow Horn Lift Positions



Lifting from a sitting position

Select the most suitable cow horn position to suit the patient or environment. Once complete, position the Standaid so that the patient's feet fit in the foot tray and the knees rest against the kneepad. The optimal position for the kneepad is just below the patella. Adjust the kneepad accordingly and fit the safety belt if required. If not required, the safety belt can be detached and stored away.



Attach the loops of the sling to the grey hooks at the end of the Hoyer Journey handgrips. The patient's hands can be placed on the handgrips (see Fig A or C) or they may also grasp the sling straps or trailing loops if it's more comfortable to do so, avoiding any potential pinch points. Prior to lifting make a visual check to ensure the loops of the sling are secure and in place. Then, push the UP button on hand control to raise the patient to the standing position (see Fig B or D).

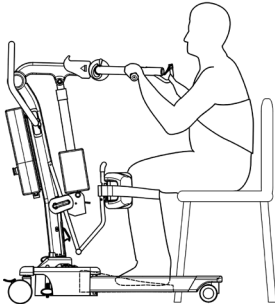
Standing Sling:

Fig. A

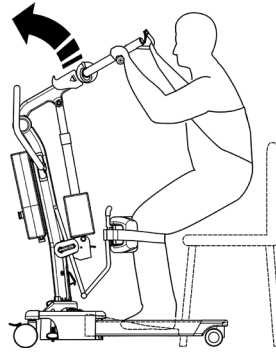


Fig. B

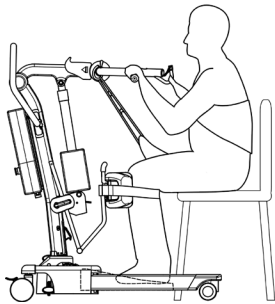
Transport Sling:

Fig. C

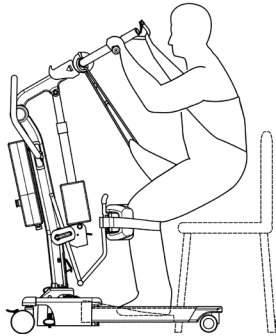


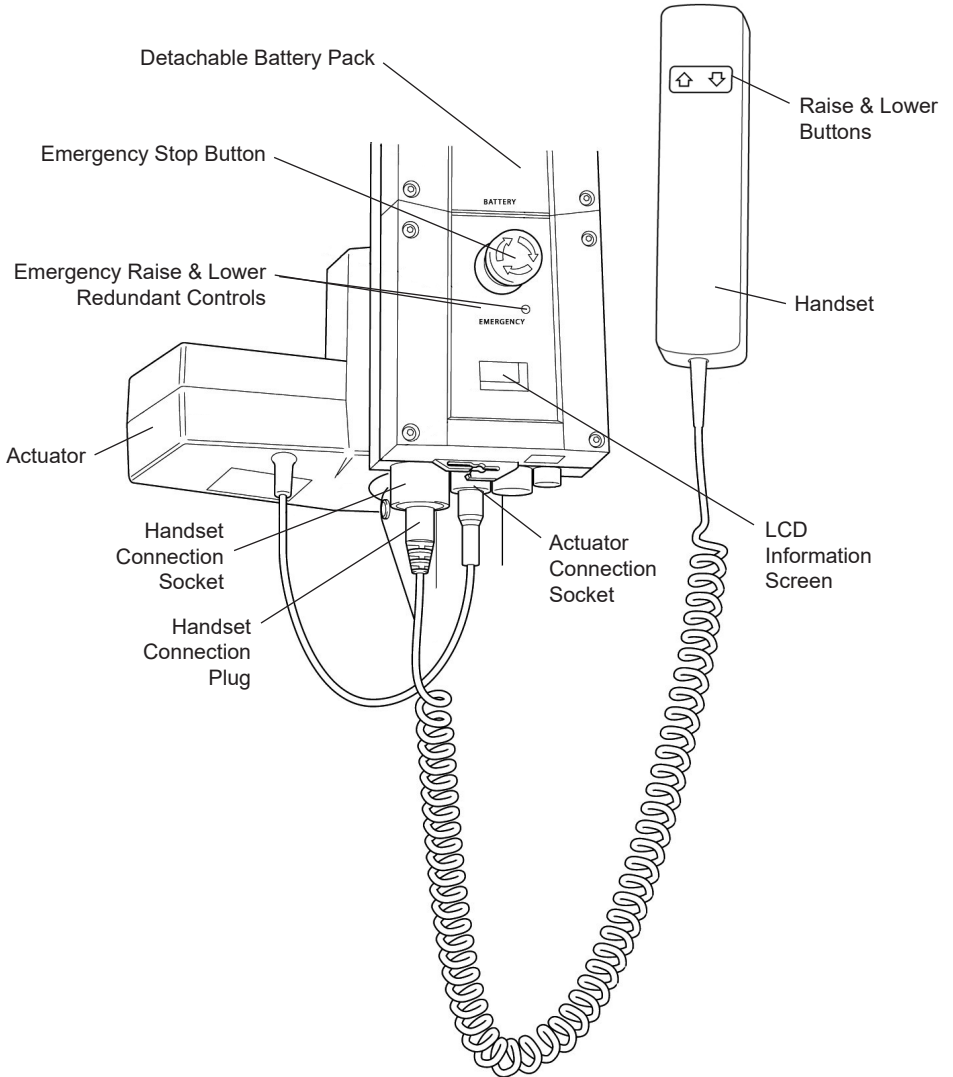
Fig. D

NOTE: Joerns Healthcare recommends a risk assessment be completed before carrying out your lifting operation.

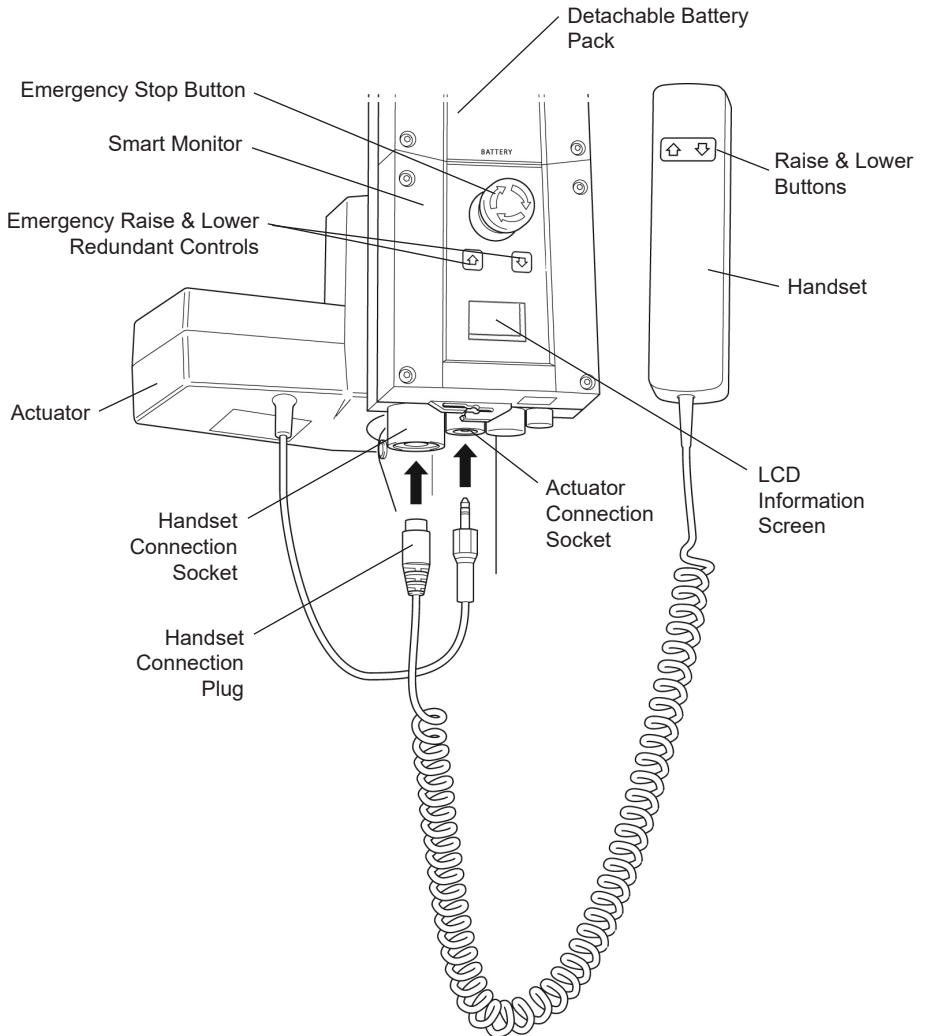
⚠ WARNING

If using the Hoyer Journey for gait training, the foot tray should be removed and a thorough risk assessment carried out to ascertain suitability prior to lifting.

6. Standard Control Box & Handset



7. Smart Monitor & Handset



Intended Use

The Hoyer Smart Monitor is a control system for Hoyer Lifts. The Smart Monitor stores useful lift data about the lift that can be recalled when required. This lift data includes:

- Number of patient lift cycles
- Total work done by actuator
- Number of lift overloads (attempted lifts above the safe working load)
- Number of days in service

The Hoyer Smart Monitor contains a microprocessor inside making it possible to read out lift data via the on-board LCD screen.

Features

- Data collection in the control box with data display via LCD screen
- Work counter
- Intelligent cycle counter
- Overload information
- 3 step battery indicator




Benefits

- Improved safety for both patient and carer
- Accurate lift data available at the touch of a button
- Optimised product life time
- Ease of maintenance for engineers and service technicians
- Fast and easy error identification

LCD Display Screen

The Hoyer Smart Monitor has the option to read out information via the LCD display screen. It is possible to read out total lifting cycles, total work done, overloads and number of days since last service, which can be used to quickly and easily evaluate the condition of the lift actuator.

This information is accessed by a ½ second press on the 'UP' button on the User handset or redundant 'UP' button on the Smart Monitor.

	12034	Total Lifting Cycles
A*S	1257000	Total Work Done (Amps * Seconds)
	7	Number of Overloads
	90 / —	Number of Days in Service

Service Information

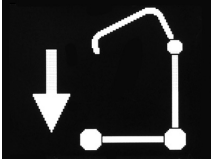


If the lift stops because of an overload (an attempt to lift more than the safe working load) the overload symbol will appear on the LCD display and the lift will cease to operate until the additional load (above the SWL) has been removed.

WARNING

If the LCD display screen on your Smart Monitor has recorded an overload, Joerns Healthcare recommend that ALL routine daily checks are carried out on the lift prior to further use (for a list of daily checks, please refer to your lift user manual). Joerns Healthcare also recommend that you contact your authorised Hoyer service provider for additional guidance.

On-Board Redundant Controls

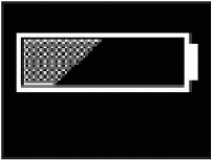


On-board redundant controls enable the lift to be raised or lowered in the event of an emergency.

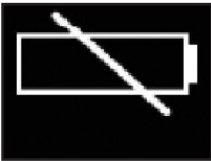
Battery Information



The display showing full battery means that the battery is fully charged and the lift is ready for use.



The display showing a half empty battery indicates that it is time to charge the battery.



The empty battery symbol showing on the display indicates that the battery has no capacity left and should be placed on charge immediately.

⚠ WARNING

To avoid possible permanent damage to the battery, the battery should be placed on charge as soon as the display indicates the half empty battery symbol.

8. Operating Instructions

1. Leg Adjustment

The legs on the Hoyer Journey are adjustable for width. The legs can be opened to enable access around armchairs or wheelchairs. For transferring and negotiating narrow doorways/passages, the lift legs should be in the closed position. To achieve the adjustment, the leg adjuster pedal, located at the rear of the base, is compressed right (DOWN) to open the legs outwards and left (UP) to close the legs. The adjustment can be carried out with the patient in the lift, but whether loaded or unloaded the adjustment should be made when the lift is moving.

2. Castors and Braking

The lift has two braked castors, which can be applied for parking. When lifting, the castors should be left free and un-braked. The lift will then be able to move to its natural centre of gravity. If the brakes are applied, it is the patient that will swing to the centre of gravity and this may prove disconcerting and uncomfortable.

3. Raising & Lowering The Boom

A powerful electric actuator that is controlled by a simple hand control unit achieves the movement of the boom. The hand control has two buttons with directional arrows UP and DOWN ↑↓. The actuator stops automatically at its limit of travel in both directions. The hand control plugs into a socket at the base of the control box.

4. Emergency Stop

The red Emergency Stop Button is located on the front of the control box and is activated by pressing it in. This will cut all power to the lift and will only be reset by twisting the button clockwise and releasing.

5. Redundant controls

Standard Control Box:

The standard control box is fitted with emergency lower/raise buttons located underneath the emergency stop button. They can be operated by inserting the tip of a ball point pen into the buttons highlighted "lower/raise". This will raise or lower the boom should the hand control fail.

Smart Monitor:

The Smart Monitor is fitted with redundant raise and lower buttons on the control box. These are located underneath the emergency stop button and can be used to lower/raise the patient should the hand control fail.

6. Mechanical Emergency Down

In the case of a complete electrical failure the electrical actuator is fitted with a spring loaded mechanical lowering device (RED BOSS). This will only operate when the lift is under load. The device must be twisted by hand and released to activate. A slow decent will commence. Repeat this process until the patient has been safely lowered.

NOTE: The MINIMUM load required to manually lower the lift using the mechanical emergency down function is 30 kg.

7. Batteries

A LOW VOLTAGE ALARM protects the batteries from deep discharge. This will sound when the batteries need recharging and the hand control is being operated. It will not sound independently of the hand control being operated. **DO NOT IGNORE THIS WARNING ALARM.** Complete the lifting operation and place the battery on charge (see charging instructions). The battery charge level is displayed by the indicator on the control box.

⚠ CAUTION

The battery, charger, hand control, control box and actuator should not be opened by unauthorised personnel. (Contact your distributor for warranty and repairs).

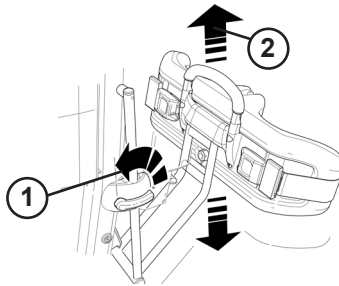
8. Slings

The Hoyer Journey is suitable for patients in the SITTING, position. The slings suitable for this device are listed as follows:

- Hoyer Transport sling
- Hoyer Standing sling

9. Knee pad adjustment

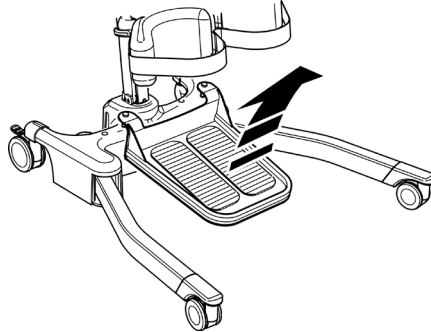
The Hoyer Journey has an adjustable kneepad. It is recommended for safety and ergonomic reasons that any adjustment is carried out by holding the top of the adjustment handle. The range of travel is 10.2 inches (260mm). Adjustment is achieved by following two easy steps. STEP 1 turn the kneepad adjustment lever to the left to unlock. STEP 2 either push handle downwards or pull handle upwards to select correct position. Once the ideal position is found, simply turn the kneepad adjustment lever to the right to lock in place, NOTE: the lever can be operated from either side of the lift.



10. Removable footplate

The Hoyer Journey has a removable footplate. To remove the footplate, move to the front of the Hoyer Journey and lift the footplate upward from the middle of the base assembly.

NOTE: Be careful when removing the footplate from its low-seated position as it is heavy. Always use appropriate moving and handling techniques.



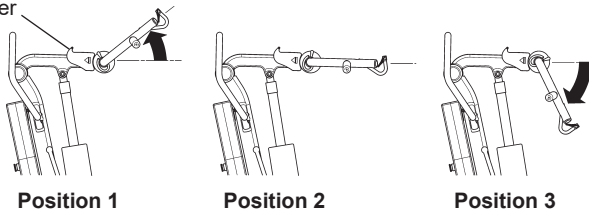
⚠ WARNING

If using the Hoyer Journey for gait training, the foot tray should be removed and a thorough risk assessment carried out to ascertain suitability prior to lifting.

11. Adjustable cow horn

The Hoyer Journey has an adjustable cow horn. This allows the carer to position the cow horn in a comfortable position to suit the patient or environment. The cow horn has 3 positions. Position 1 is more suitable for a large/taller patient, position 2 is more suitable for a medium/average size patient and position 3 is more suitable for a shorter/pediatric patient or when standing a patient from a low chair. (Please note, these are guidelines only, it may be necessary to adjust according to patient comfort). To adjust the cow horn, simply pull the trigger backwards towards the rear of the lift whilst holding the cow horn. Then select the desired position as indicated by the positioning decal and release trigger to lock. The cow horn has 3 alternative positions for lifting and a further one for the storage/fold position.

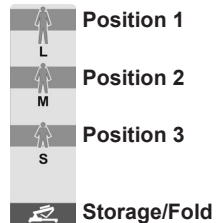
Trigger



Position 1

Position 2

Position 3



Cow Horn Lift Positions

9. Safety Precautions

Please read and follow the safety precautions listed below. The operation and use of Hoyer patient lifts is simple and straightforward. Following these few basic safety precautions will make lifting operations easy and trouble free.

READ AND UNDERSTAND THE USER INSTRUCTION MANUAL BEFORE USING YOUR Hoyer Journey

WARNING: Important safety information for hazards that might cause serious injury.

CAUTION: Information for preventing damage to the product.

NOTE: Information to which you should pay special attention.

WARNING

- **DO NOT** lift a patient unless you are trained and competent to do so.
- **ALWAYS** carry out the **DAILY CHECK LIST** located towards the end of the manual before using the lift.
- **DO NOT** exceed the safe working load of the lift.
- **ALWAYS** plan your lifting operations before commencing.
- **ALWAYS** familiarize yourself with the operating control and safety features of a lift before lifting a patient.
- **DO NOT** use a sling unless it is recommended for use with the lift.
- **ALWAYS** check the sling is suitable for the particular patient and is of the correct size and capacity.
- **NEVER** use a sling, which is frayed or damaged.
- **ALWAYS** fit the sling according to the instructions provided (user instructions).
- **ALWAYS** check the safe working load of the lift is suitable for the weight of the patient.
- **ALWAYS** carry out lifting operations according to the instructions in the user manual.
- **NEVER** disconnect or bypass a control or safety feature because it seems easier to operate the lift.
- **ALWAYS** lock the wheels when lifting from the floor.
- **DO NOT** attempt to manoeuvre the lift by pushing on the mast, boom or patient.
- **ALWAYS** manoeuvre the lift with the handle provided. A foot push pad is also provided.
- **DO NOT** push a loaded lift at speeds, which exceed a slow walking pace (2.6 ft/sec).
- **DO NOT** push the lift over uneven or rough ground. Particularly if loaded.
- **DO NOT** attempt to push/pull a loaded lift over a floor obstruction.
- **NEVER** force an operating/safety control. All controls are easy to use and do not require excessive force.

- **DO NOT** park a loaded lift on ANY sloping surface.
- **DO NOT** use electric lifts in a shower.
- **DO NOT** use or store a lift in a wet or corrosive environment such as shower, bath or pool locations.
- **DO NOT** charge batteries in a bathroom or shower room.
- **DO NOT** place or store batteries under direct sunlight or near a heat source.
- **YOUR** lift is for patient lifting. **DO NOT** use it, or allow it to be used, for any other purpose.
- **DO NOT** bump the lift down steps, loaded or unloaded.
- **DO NOT** attempt to negotiate a loaded lift on a slope, which exceeds 1:12 (approximately 5 degrees)
- **DO NOT** attempt to negotiate a slope without a second helper being present.
- **DO NOT** use a loaded lift on thick pile carpet.
- **NEVER** operate the lift with loose or missing parts or fasteners.
- **INSPECT** all precautionary labels on the lift. Order and replace all labels that cannot be easily read.
- If an incident occurs on or while using this product, please contact Joerns to report the incident at 800-826-0270. Please follow the reporting guidelines listed in 21 CFR 803, unless facility or state requirements provide differently.

10. Charging Instructions

When the power pack needs charging it is removed from the lift and fitted to an off board charging unit.

Joerns Healthcare recommend an additional battery pack is purchased, so that one pack can be on charge at all times.

1. Remove the power pack from the lift. The pack is retained by a simple latch at the top of the power pack. Lift the latch and the power pack will be released.
2. Fit the power pack to the charging unit. The location and latching of the power pack to the charger is the same system as used on the lift.
3. Plug the charger mains plug into a suitable mains outlet and switch the mains supply ON.
4. Charging is automatic and will fully charge the batteries over a period of four (4) hours.
Note: Even if the charger is left plugged in for extended periods it will not allow the batteries to overcharge.
 - a) Green Light - Indicates main power is on.
 - b) Yellow Light - Indicates battery is charging.
 - c) Battery will be fully charged when yellow light goes off.

Note: It is recommended that the battery be charged immediately upon receipt.

5. To return the lift to service, switch OFF the mains supply and remove the power pack from the charger. Fit the power pack to the lift and make sure the latch holding the pack in place is fully engaged. "Click" in place. The charging of Hoyer electric lifts is simple and straightforward, but it is important to follow the charging instructions closely. Please pay particular attention to the following points, they will help you avoid problems with discharged batteries.

WARNING

- **The battery, charger, hand control & control box are NOT to be opened by unauthorised personnel. (Contact your distributor for warranty and repairs).**
- **DO NOT touch battery/charger terminals.**
- **KEEP the batteries fully charged. Place the battery on charge whenever it is not in use. If it is more convenient to do so, place on charge every night. The charger will not allow the batteries to overcharge.**
- **NEVER run the batteries completely flat. As soon as the audible warning sounds, complete the lifting operation in hand and place on charge.**
- **To avoid possible permanent damage to the battery, the battery should be placed on charge as soon as the display indicates the half empty battery symbol.**
- **NEVER store the battery for long periods without regular charging throughout the storage period.**
- **ALWAYS make sure the mains power to the charger is switched off before connecting or disconnecting the battery pack.**
- **NEVER leave the battery pack connected with the charger mains power switched off.**

- **DO NOT** leave the charger switched on with the battery disconnected.
- **DO NOT** use the lift while charging is taking place.
- **CHECK** the lift is not charging before moving as the electrical connection may be damaged.
- **NEVER** disconnect the charger plug by pulling on the cable.
- **BE CAREFUL** not to trip over the charge lead.
- **DO NOT** charge an electric lift in a bathroom or shower room.

11. Maintenance Schedule & Daily Check List

All Hoyer products are designed for minimum maintenance, however some safety checks and procedures are required. Schedules of DAILY tasks are detailed below. Daily checks and a yearly service, inspection and test will ensure a lift is kept in optimum safe working condition. A list of spare parts is available upon request.

DAILY CHECK LIST:

Joerns Healthcare strongly recommends the following checks be carried out on a daily basis and before using lift.

- MAKE sure the lift moves freely on its castors.
- EXAMINE the spreader bar (cow horns) is firmly attached to the boom.
- EXAMINE the sling hooks and attachment clips on the spreader bar and boom for excessive wear.
- MAKE sure the legs open and close correctly.
- OPERATE the hand control to confirm the boom raises and lowers satisfactorily.
- CHECK the operation of the emergency stop button.
- EXAMINE slings for fraying or other damage. DO NOT use any sling if damaged.
- CONFIRM the lift is not giving a low battery alarm when the hand control is operated. If the alarm sounds, DO NOT use and place the battery on charge immediately.

MAINTENANCE:

Joerns Healthcare recommends regular inspection and maintenance. Please refer to the chart on the next page.

***THESE CHECKS SHOULD INCLUDE:**

✓ = Recommended

	Initially	Before Use	Annual Service
1. BOOM: Check the attachment of the boom to the mast. Make sure there is only minimal side movement of the boom and the boom is free to rotate on the boom bearing.	✓	✓	✓
2. SLING ATTACHMENT POINTS: Examine the sling hooks and attachment clips on the spreader bar and boom for excessive wear.	✓	✓	✓
3. MAST: Check the operation of the mast-locking device. Make sure the mast fully engages into the socket.	✓	✓	✓
4. COW HORN: Check cow horn is engaged and in correct position.	✓	✓	
5. ACTUATOR: The actuator should require no maintenance other than checking for correct operation and listening for unusual noise.	✓		✓
6. KNEE PAD: Check knee pad adjuster is fastened securely.	✓	✓	
7. CONTROL BOX / SMART MONITOR: Check the function of the emergency stop button. Inspect the hand control socket for correct fitting. Check functioning of the hand control. Check the redundant controls and confirm they operate as intended.	✓	✓	✓
8. BATTERIES: The batteries are housed in the power pack and should not require maintenance other than the regular charging as detailed in the charging instructions. Check that the connections remain clean.			✓
9. BATTERIES (Charging): Confirm the lift is not giving a low battery alarm when the hand control is operated. If the alarm sounds, do not use and place the battery on charge immediately.	✓	✓	
10. LEG ADJUSTMENT: Check the legs operate in both full extensions (inward/outward).	✓		✓
11. CASTORS: Check all castors for firm attachment to the legs. Check for free rotation of the castor and the wheels.	✓	✓	✓
12. CLEANING: Clean with ordinary soap and water and/or any hard surface disinfectant. Harsh chemical cleaners or abrasives should be avoided as these may damage the surface finish of the lift. Avoid wetting any of the electrical parts.		✓	✓
13. BASE AND WHEELS: Ensure base is even and level (all four wheels are on the floor).	✓	✓	✓
14. SLINGS: Check for wear and fraying.	✓	✓	✓
15. LUBRICATION: Lubricate pivot joints with a silicone based oil, including mast and boom connections, pedal assembly, spreader bar joint (only if required).			✓
16. HAND SET: Ensure plugged fully into controller.	✓	✓	
17. HARDWARE: Check all nuts, bolts, screws and fasteners for excessive wear and for tightness. Replace as required.		✓	✓

12. Technical Specifications

Safe Working Load	341 lbs.....	155 kgs
Maximum Overall Length	39.4 inches.....	1000 mm
Minimum Overall Length	36.8 inches	935 mm
Maximum Overall Height.....	63 inches	1600 mm
Minimum Overall Height.....	44.5 inches	1130 mm
Maximum Height to attachment point.....	60.2 inches	1530 mm
Minimum Height to attachment point.....	28.4 inches	720 mm
Turning Radius	45.1 inches.....	1145 mm
Legs Open - External Width	38.2inches	970 mm
Legs Open - Internal Width	34.5 inches	875 mm
Legs Closed - External Width	27.0 inches	685 mm
Legs Closed - Internal Width	22.2 inches	590 mm
Widest Point (between support handles)	26.8 inches	680 mm
Overall Height of Legs.....	4.3 inches	110 mm
Ground Clearance	1.2 inches	30 mm
Front Twin Castors	3.0 inches	75 mm
Rear Braked Castors.....	4.0 inches	100 mm

Weights

Mast, Base & Boom Assembly.....	82.4 lbs.....	37.4 kg
Power Pack	6.2 lbs.....	2.8 kg
Total	88.6 lbs.....	40.2 kg
Base Assembly (not inc battery).....	30.2 lbs.....	13.7 kg
Mast & Boom (not inc battery)	42.3 lbs.....	19.2 kg
Foot Tray	9.9 lbs.....	4.5 kg

NOTE: Manufacturing tolerances apply to all dimensions.

ELECTRICAL SPECIFICATIONS:

BATTERIES	24 volt Rechargeable sealed lead acid type
BATTERY CAPACITY.....	3.2 Ampere hours
CHARGER RATED INPUT.....	100 - 240 V AC/ 50/60 Hz
CHARGER RATED OUTPUT.....	29.5 VDC, Max. 19 W

ELECTRIC SHOCK PROTECTION

CHARGER.....	CLASS II (EN 60601-1)
LIFT	INTERNAL POWER SOURCE

DEGREE OF SHOCK PROTECTION

CHARGER.....	TYPE B (EN 60601-1)
LIFT	TYPE B (EN 60601-1)

ENVIRONMENTAL CONDITIONS:

Outside this environment functionality and safety may be compromised.

OPERATING:

TEMPERATURE	5°C to 40°C
RELATIVE HUMIDITY	20% to 90% @ 30°C - not condensing
ATMOSPHERIC PRESSURE	700 to 1060 hPa

STORAGE:

TEMPERATURE	-10°C to +50°C
RELATIVE HUMIDITY	20% to 90% @ 30°C - not condensing
ATMOSPHERIC PRESSURE	700 to 1060 hPa

IP RATINGS

CONTROL BOX	IPX4
ACTUATOR.....	IPX4
OFF BOARD CHARGER	IPX5
BATTERY	IPX5
HANDSET	IPX5

DUTY CYCLES

ACTUATOR.....	10% (2 min./18 min.)
CHARGER	Approx. 4 hrs.

ACOUSTICS

A-Weighted sound power level	60 dB (A)
------------------------------------	-----------

KEY SYMBOLS:

The following symbols are used on the charger, control unit and battery:



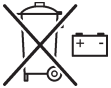
Type B equipment, as per EN 60601-1



Class 2 equipment



The disposal of the charging and control unit should not be mixed with general household waste



The disposal of batteries should not be mixed with general household waste.



The disposal of electronics should not be mixed with general household waste



For indoor use



ATTENTION, consult accompanying documents.

WEEE Producers registration number WEE/GG0464RZ

13. Warranty

This warranty covers HoyerPro lifts only. Lifts not covered under this warranty include, but are not limited to Advance-H, HML400, HPL600WB, HPL600WBSC, HPL402, C-HLA (and variations).

HoyerPro lifts are guaranteed for a period of two years from the date of delivery against defects in materials and workmanship under normal use and service. This warranty includes all mechanical and electrical components.

Aluminium structural components and mechanical components on lifts are covered under warranty for a period of five (5) years from the date of delivery.

Damage caused by use in unsuitable environmental conditions or failure to maintain the product in accordance with user and service instructions is not covered. Any alteration, modification or repair unless performed by or authorized in writing by Joerns Healthcare will void this warranty.

Parts:

HoyerPro lifts contain various parts that wear from normal use. These parts, such as DC batteries and casters are not covered under the two-year warranty but are covered for 90 days after date of delivery.

Joerns Healthcare's obligation under this warranty is limited to supplying replacement parts, servicing or replacing, at its option, any product which is found by Joerns Healthcare to be defective.

Warranty replacement parts are covered by the terms of this warranty until the product's original warranty period expires.

When requested by Joerns Healthcare, parts must be returned for inspection at the customer's expense. Credit will be issued only after inspection.

Service:

Most service requests handled by the facility Maintenance Department with assistance from the Joerns Healthcare Product Service Department.

Most parts requested can be shipped next day air at the customer's expense.

Should a technician be required, one will be provided by Joerns Healthcare, at our discretion. Only the Joerns Healthcare Product Service Department can dispatch authorized technicians.

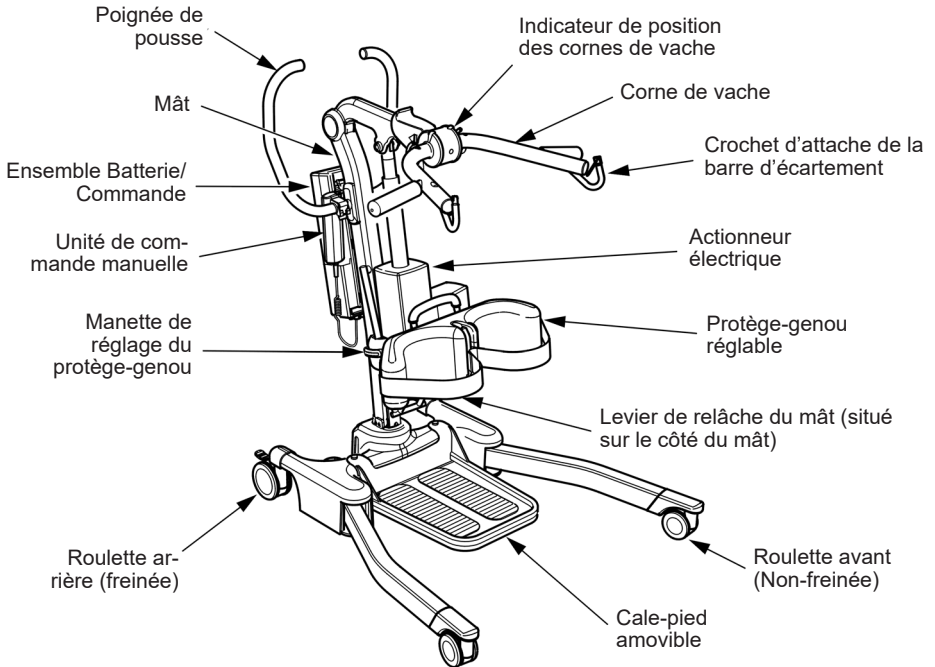
This warranty is extended to the original purchaser of the equipment.

Table des matières

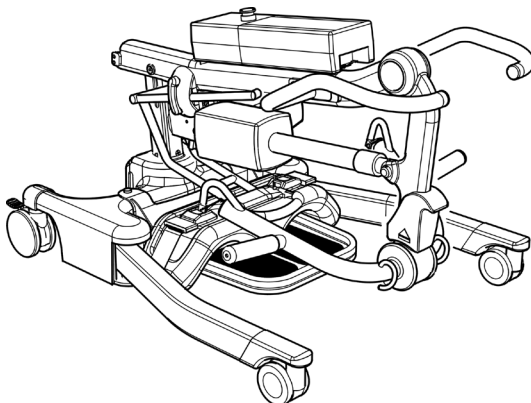
1. Lève-personne Hoyer Journey	33
2. Introduction : A propos de votre lève-personne	34
3. Instructions de montage et de mise en service.....	35
4. Guide des courroies	40
5. Soulever le patient à l'aide du lève-personne Hoyer Journey	42
6. Boîte de commande standard et commande manuelle	44
7. Moniteur Smart et commande manuelle	45
8. Instructions de fonctionnement	49
9. Consignes de sécurité.....	52
10. Instructions de charge	54
11. Périodicité d'entretien et liste de contrôle quotidien.....	56
12. Spécifications techniques.....	58
13. Garantie.....	61

1. Lève-personne Hoyer Journey

Position prêt à l'emploi



Position d'entreposage



2. Introduction: A propos de votre lève-personne

L'emballage se compose d'une boîte en carton robuste construite spécialement pour garantir l'arrivée de l'appareil intact à destination.

L'emballage de chaque lève-personne comprend une pochette contenant un certain nombre de documents qui doivent être conservés en lieu sûr au cas où ils devraient être consultés ultérieurement.

- CERTIFICAT D'ESSAI
- MANUEL D'UTILISATION

Le certificat de test est un document important et doit être conservé à des fins de référence.

Pour bien entretenir votre ascenseur s'il vous plaît le calendrier d'entretien dans le présent document. Si vous êtes exigeances que d'entretien incertains dans votre pays, s'il vous plaît vérifier avec votre revendeur et / ou d'une autorité locale.

Déclaration d'utilisation prévue

L'usage prévu de cet appareil de levage consiste à lever et à transférer en toute sécurité un patient depuis un point à un autre (par ex. depuis un lit vers un fauteuil roulant). Joerns Healthcare recommande de toujours procéder à une évaluation des risques avant d'entreprendre le transfert d'un patient, et de limiter le transfert à de courtes distances.

Le lève-personne Hoyer Journey est prévu pour les patients en position ASSISE seulement, capables de maintenir un minimum leur poids mais nécessitant une assistance pour se mettre en position debout. Pour utiliser le lève-personne Hoyer Journey comme aide à la marche, il suffit de retirer le cale-pieds après avoir procédé à une évaluation des risques afin de déterminer l'adéquation du matériel à cet effet.

Le lève-personne Hoyer Journey est prévu pour assurer et promouvoir la sécurité à la fois du patient et de l'aide-soignant. Il se plie sans outil, ce qui permet de le ranger en toute simplicité même dans des endroits où l'espace est limité ou pour faciliter le transport à bord d'un véhicule doté d'un coffre suffisamment grand.

Le lève-personne Hoyer Journey est prévu pour être utilisé avec les différentes sangles Hoyer. Les exemples de sangles compatibles avec ce matériel sont énumérés ci-dessous :

- Hoyer Sangle pour la mise en position debout
- Hoyer Sangle pour le transport

Il est important que les utilisateurs de ce produit soient correctement formés à l'utilisation appropriée et aux pratiques de manipulation des mains en toute sécurité. Joerns Healthcare recommande fortement qu'une évaluation des risques du patient en face à face soit effectuée pour déterminer la sécurité et le bien-être du patient et du ou des soignants à tout moment, avant chaque utilisation. Joerns Healthcare ne peut être tenu responsable d'une utilisation inappropriée ou non qualifiée entraînant des blessures pour le patient et/ou le soignant. Si vous avez besoin d'une formation sur ce produit ou sur tout autre produit Joerns Healthcare, veuillez nous contacter pour obtenir de l'aide.

Durée de vie prévue

Les lève-personnes Hoyer Professional sont conçus et testés pour une durée de vie minimum de dix (10) ans, si les consignes d'utilisation et d'entretien énoncées dans le présent manuel sont respectées. Toute utilisation non conforme aux consignes peut compromettre la durée de vie du matériel.

3. Instructions de montage et de mise en service

Contenu de la boîte

Placez la boîte sur une surface bien dégagée et ouvrez-la avec précaution. Elle contient :

- LÈVE-PERSONNE HOYER JOURNEY
- BLOC DE BATTERIES
- UNE POCHETTE CONTENANT LES DOCUMENTS
- FIL DE CHARGE
- UNE COMMANDE MANUELLE
- CHARGEUR / SUPPORT POUR BUREAU

⚠ AVERTISSEMENT

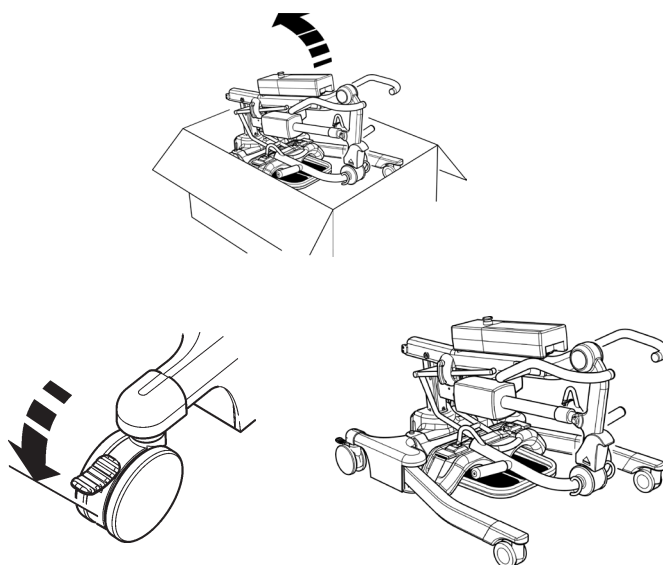
L'appareil Hoyer Journey est lourd et doit être soulevé avec précaution. Vous aurez éventuellement besoin d'aide pour sortir le lève-personne Hoyer Journey de sa boîte.

Instructions de montage

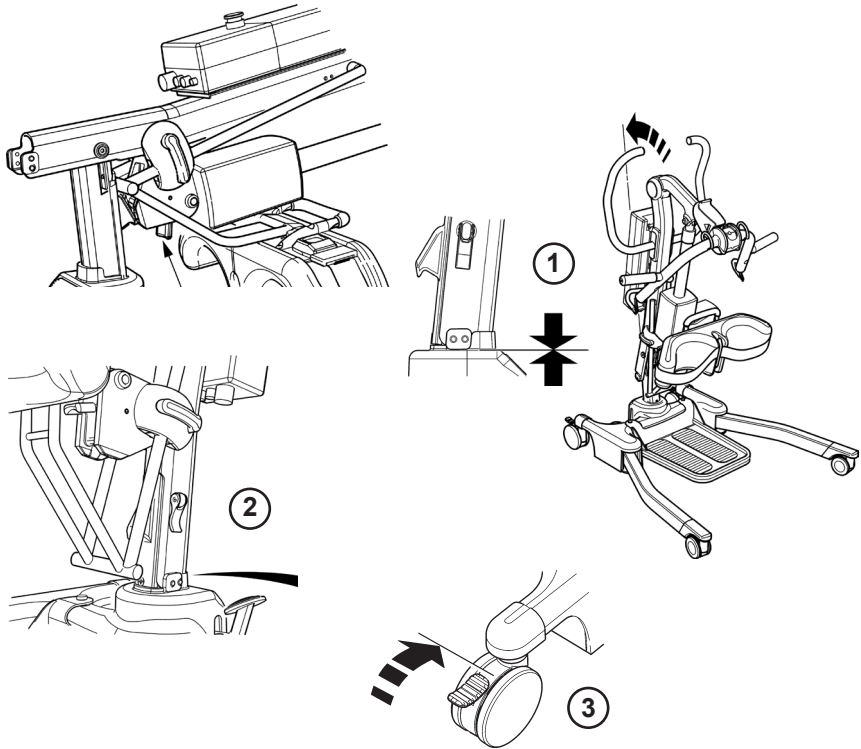
Le lève-personne Hoyer Journey est livré dans sa position Pliage/Entreposage; le processus de montage suivant indique les 3 étapes simples permettant de mettre le lève-personne en position Prêt à l'emploi. Ce processus ne nécessite aucun outil supplémentaire.

1. Retirez toutes les pièces de la boîte et placez-les par terre, en prenant soin de protéger le fini.

Soulevez délicatement le lève-personne Hoyer Journey pour le sortir de sa boîte. Posez le lève-personne à plat sur le sol et vérifiez que les roulettes arrière sont bien verrouillées.



2. Pour déplier le lève-personne Hoyer Journey et le mettre en position Prêt à l'emploi, redressez le mât. Pour cela, appuyez sur le bouton de libération du mât, situé sous l'actionneur (comme indiqué ci-dessous). Ceci permet de déverrouiller le mât et de le lever. En l'attrapant par le haut de la poignée, redressez le mât en position verticale de sorte qu'il s'insère dans la fente (1). Une fois enclenché, utilisez le levier de verrouillage du mât pour le fermer. Pour cela, tournez le levier du mât dans le sens horaire pour le serrer, puis abaissez le levier vers la surface du mât. (2). Enfin, déverrouillez les roulettes arrière. Le lève-personne Hoyer Journey est prêt à l'emploi (3).

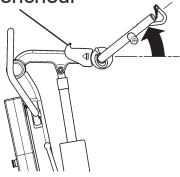


⚠ ATTENTION

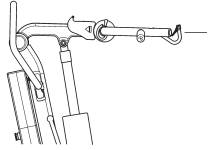
Faites attention de ne pas vous coincer les doigts. Lorsque vous insérez le mât dans la fente, gardez vos doigts éloignés de l'extrémité du mât. Serrez le dispositif de verrouillage du mât et déverrouillez les roulettes arrière.

3. Réglez le mécanisme d'écartement (cornes de vache) sur l'une des trois positions, en fonction de la tâche et/ou de l'environnement. Pour régler l'écartement des cornes de vache, tirez la gâchette vers l'arrière tout en tenant la corne de vache. Sélectionnez la position désirée parmi les trois indiquées sur l'autocollant (1) et relâchez la gâchette pour verrouiller. Le lève-personne est maintenant prêt à l'emploi.

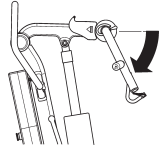
Déclencheur



Position 1



Position 2



Position 3

1



Position 1



Position 2



Position 3



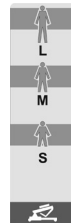
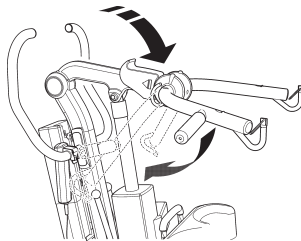
Entreposage/Pliage

REMARQUE : Reportez-vous à la page 42 pour plus d'informations sur la position des cornes de vache.

Démontage

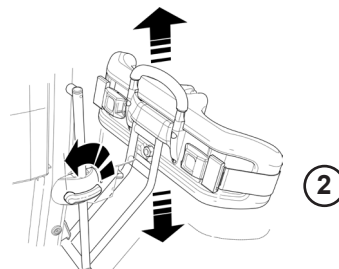
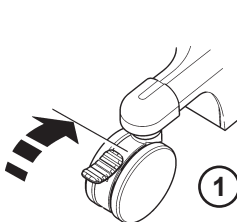
Pour démonter et entreposer votre lève-personne, suivez les quatre étapes décrites ci-dessous ; aucun outil supplémentaire n'est requis.

1. Abaissez la flèche à sa position la plus basse et rabattez les cornes de vache en position Pliage/Entreposage (comme indiqué ci-dessous).

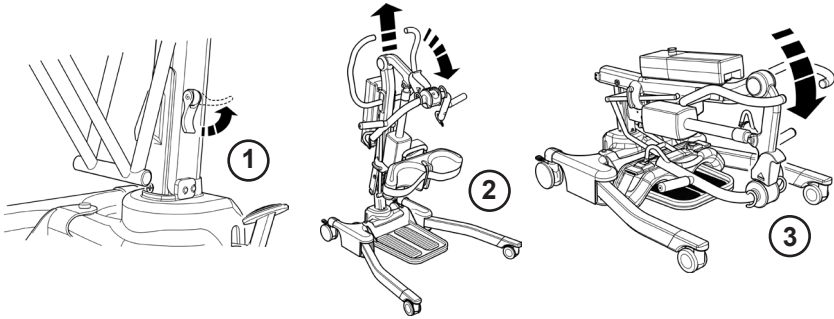


Entreposage/Pliage

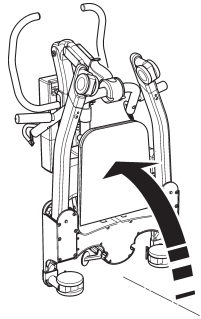
2. Vérifiez que les roulettes arrière sont bien verrouillées (1). Relevez le protège-genou jusqu'à sa position la plus élevée (2).



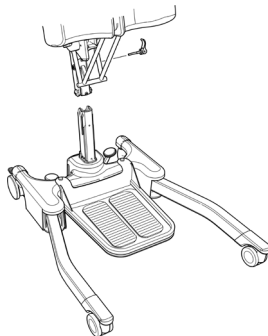
3. Déverrouillez le levier de verrouillage du mât en le tournant dans la direction opposée du mât (1). A l'aide de la poignée, levez le mât vers le haut et abaissez-le délicatement (2), en rabattant le mât vers les pieds du lève-personne, jusqu'à ce que vous entendiez un "Clic" (3). Le "Clic" indique que le mât est maintenant en position verrouillée.



4. Une fois plié, redressez le lève-personne Hoyer Journey en vous aidant des pieds et de la poignée.



REMARQUE : Vous pouvez complètement démonter le mât et la flèche et les désolidariser de la base et des pieds. Pour cela, dévissez complètement le levier de verrouillage du mât (retirez la goupille du mât) et levez le mât et la flèche pour les libérer de la base. Prenez soin de ne pas égarer le levier de verrouillage et la tige.

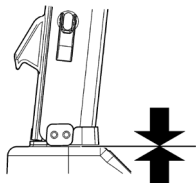


⚠ ATTENTION

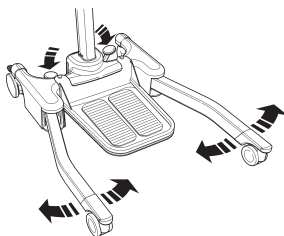
Faites toujours très attention de ne pas vous pincer les doigts lorsque vous pliez/dépliez votre Hoyer Journey. Suivez toujours attentivement les procédures et n'hésitez pas à demander de l'aide en cas de doute.

EFFECTUEZ TOUJOURS LES VÉRIFICATIONS SUIVANTES AVANT D'UTILISER L'APPAREIL :

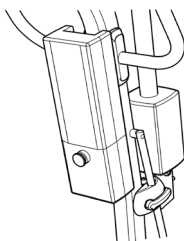
- Le mât est bien enclenché en position (voir les instructions relatives au montage, à la page 36).



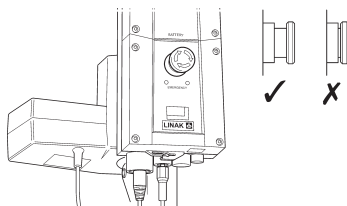
- Les pieds du lève-personne s'ouvrent et se referment sans gêne (à l'aide de la pédale).



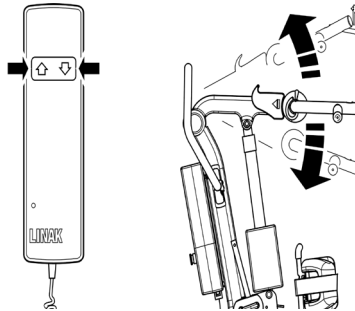
- Le bloc d'alimentation est inséré et le loquet maintenant le bloc en place est bien enclenché. Un "Clic" doit se faire entendre.



- Le bouton rouge d'arrêt d'urgence, situé sur le boîtier de commande, est en position sortie.



- Les boutons Haut et Bas sur la commande manuelle relèvent et abaissent la flèche correctement.



4. Guide des courroies

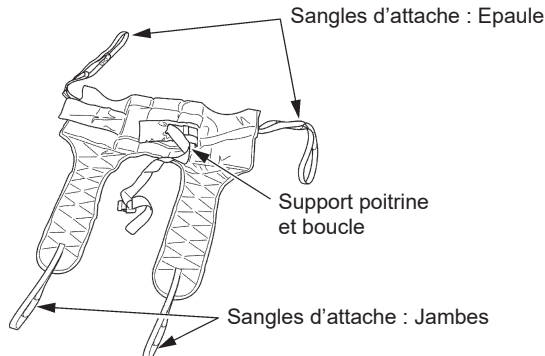
L'appareil Hoyer Journey convient à des patients ASSIS. Les courroies convenant à ce dispositif sont décrites ci-après :

- * Courroie de transport Hoyer (plusieurs tailles disponibles)
- * Courroie de levée Hoyer (plusieurs tailles disponibles)

GUIDE D'UTILISATION DES COURROIES STANDAID

Les courroies de transport et de levée sont faciles à installer et permettent de soulever et de soutenir le patient. Il ne s'agit pas d'une courroie à usage général. Les patients désirant l'utiliser doivent être évalués par une personne qualifiée.

Courroie de transport

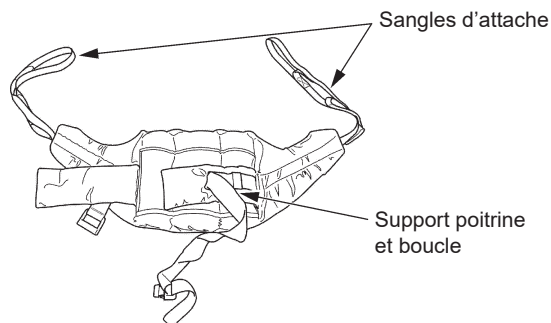


Mise en place de la courroie

Glissez la courroie le long du dos du patient, en laissant la partie supérieure de l'ouverture du siège hygiénique à la base de la colonne vertébrale. Vérifiez que la partie flexible de la courroie est perpendiculaire au dos du patient. Fixez la sangle de retenue autour de la poitrine du patient. Elle n'a pas besoin d'être serrée. Elle sert à maintenir la courroie en position lors de la fixation des sangles au Standaid. Vous pouvez totalement l'ignorer, si vous le désirez. Vérifiez que les bras du patient sont à l'extérieur de la courroie (voir Fig. C, à la page 43).

Soulevez la jambe du patient et faites passer la sangle de retenue en dessous des jambes, puis faites-la remonter entre ces dernières. Vérifiez que la courroie n'est ni tordue, ni coincée sous la cuisse. Répétez cette procédure pour l'autre jambe. Attachez les sangles des parties flexibles de la courroie aux crochets blancs situés à l'extrémité des poignées. Sans pour autant croiser les boucles des sangles de retenue des jambes, attachez-les aux crochets gauche et droit sur la fourche de levage. En règle générale, nous vous conseillons d'utiliser l'anneau du milieu. Le patient est désormais prêt à être soulevé de son siège. Une fois qu'il a été soulevé de son siège, le patient sera plus confortable s'il est rabaissé en position assise. Joerns Healthcare vous conseille de vérifier, régulièrement et avant toute utilisation, que vos courroies ne sont ni effilochées, ni endommagées. N'utilisez jamais une courroie usagée ou endommagée.

Courroie de levée



Mise en place de la courroie

Faites glisser la courroie le long du dos du patient et installez-la entre le bas des épaules et le bas de la cage thoracique. Fixez les sangles de retenue autour de la poitrine du patient. Elle n'a pas besoin d'être serrée. Elles servent à maintenir la courroie en position lors de sa fixation au Standard. Vous pouvez totalement l'ignorer, si vous le désirez. Vérifiez que les bras du patient sont à l'extérieur de la courroie (voir Fig. A, à la page 43).

REMARQUE : Pour toute instruction détaillée sur la mise en place, reportez-vous au guide d'utilisation fourni avec chaque courroie.

⚠ AVERTISSEMENT

Joerns Healthcare vous conseille de vérifier, régulièrement et avant toute utilisation, que vos courroies ne sont ni effilochées, ni endommagées. N'utilisez JAMAIS une courroie usagée ou endommagée.

⚠ AVERTISSEMENT

Les courroies et les lève-personnes de Hoyer ne sont pas interchangeables avec les produits d'autres fabricants. Utiliser les produits d'autres fabricants sur des produits Hoyer est dangereux et peut engendrer de sérieuses blessures au patient et/ou au soignant.

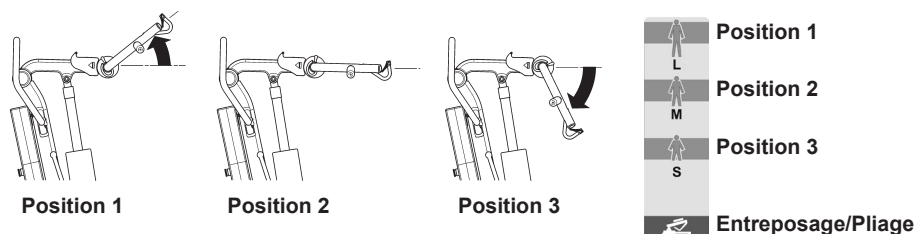
⚠ AVERTISSEMENT

Respectez la charge maximale du lève-personne. La charge de la courroie est limitée par la charge maximale du lève-personne.

5. Soulever le patient à l'aide du Hoyer Journey

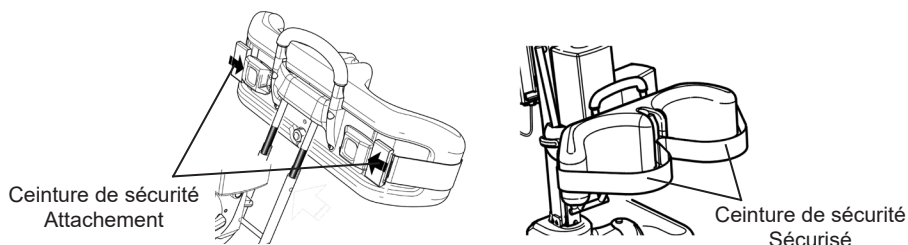
Le lève-personne Hoyer Journey est équipé d'un système d'écartement réglable. Ceci permet à l'accompagnateur de positionner les cornes de vache en fonction du patient et de l'environnement. Les cornes de vache se règlent sur trois positions. La position 1 est prévue pour les personnes de grande taille, la position 2 convient plus aux personnes de taille moyenne et la position 3 est pour les personnes de petite taille et les enfants, ou bien pour lever une personne assise dans un fauteuil bas. (ces indications sont données à titre d'information et il conviendra aussi de tenir compte du confort du patient). Pour régler l'écartement des cornes de vache, tirez la gâchette vers l'arrière tout en tenant la corne de vache. Sélectionnez la position désirée parmi les trois indiquées sur l'autocollant et relâchez la gâchette pour verrouiller. Il y a donc 3 positions de levée et une position supplémentaire pour l'entreposage/pliage.

Positions de levée



Lever un patient assis

Sélectionnez la position d'écartement des cornes de vache la mieux adaptée au patient ou à l'environnement. Ensuite, positionnez le Standard de sorte que les pieds du patient reposent sur le cale-pied et que les genoux reposent contre le protège-genou. La position optimale du protège-genou est juste en dessous de la rotule. Ajustez le protège-genou en conséquence et mettez la ceinture de sécurité, si nécessaire. Si la ceinture de sécurité n'est pas requise, vous pouvez l'enlever et la ranger.



Attachez les sangles de la courroie aux crochets gris situés aux extrémités des poignées du lève-personne. Le patient peut reposer ses mains sur les poignées (voir Fig A ou C). Avant de lever le patient, effectuez une vérification visuelle pour vous assurer que les boucles des sangles sont bien en place sur les crochets. Appuyez ensuite sur le bouton UP de la commande manuelle pour lever le patient (voir Fig B ou D).

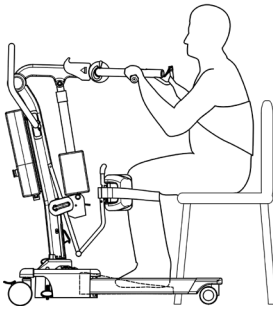
Courroie de levée :

Fig. A

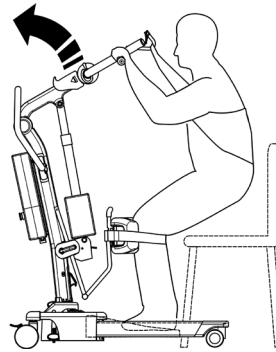


Fig. B

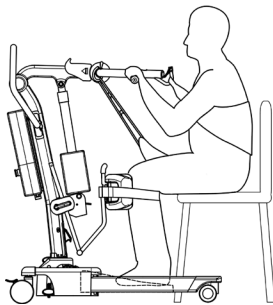
Courroie de Transport :

Fig. C

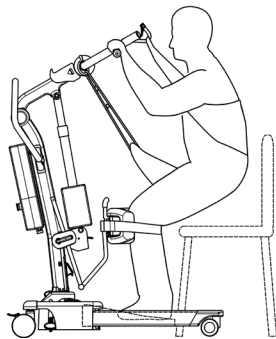


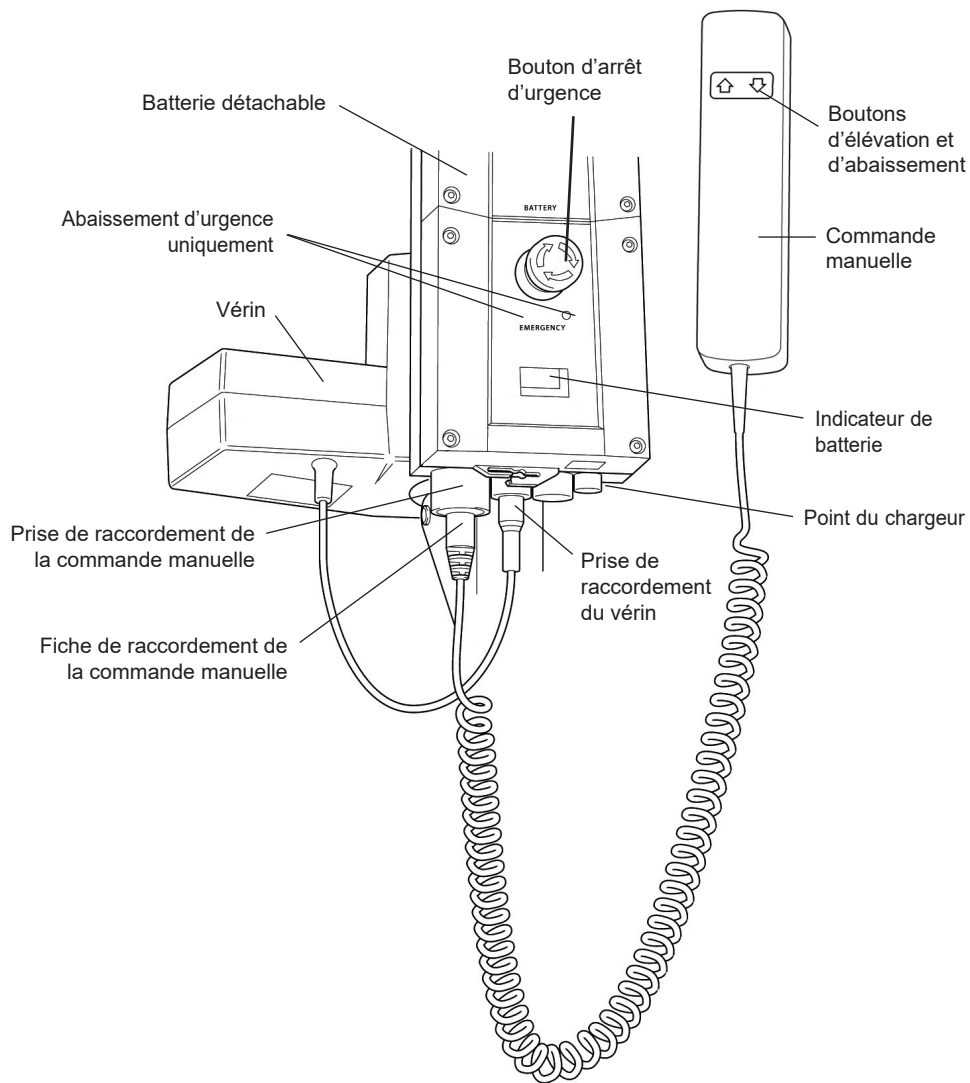
Fig. D

REMARQUE : Joerns Healthcare recommande de toujours effectuer une évaluation des risques avant de lever un patient.

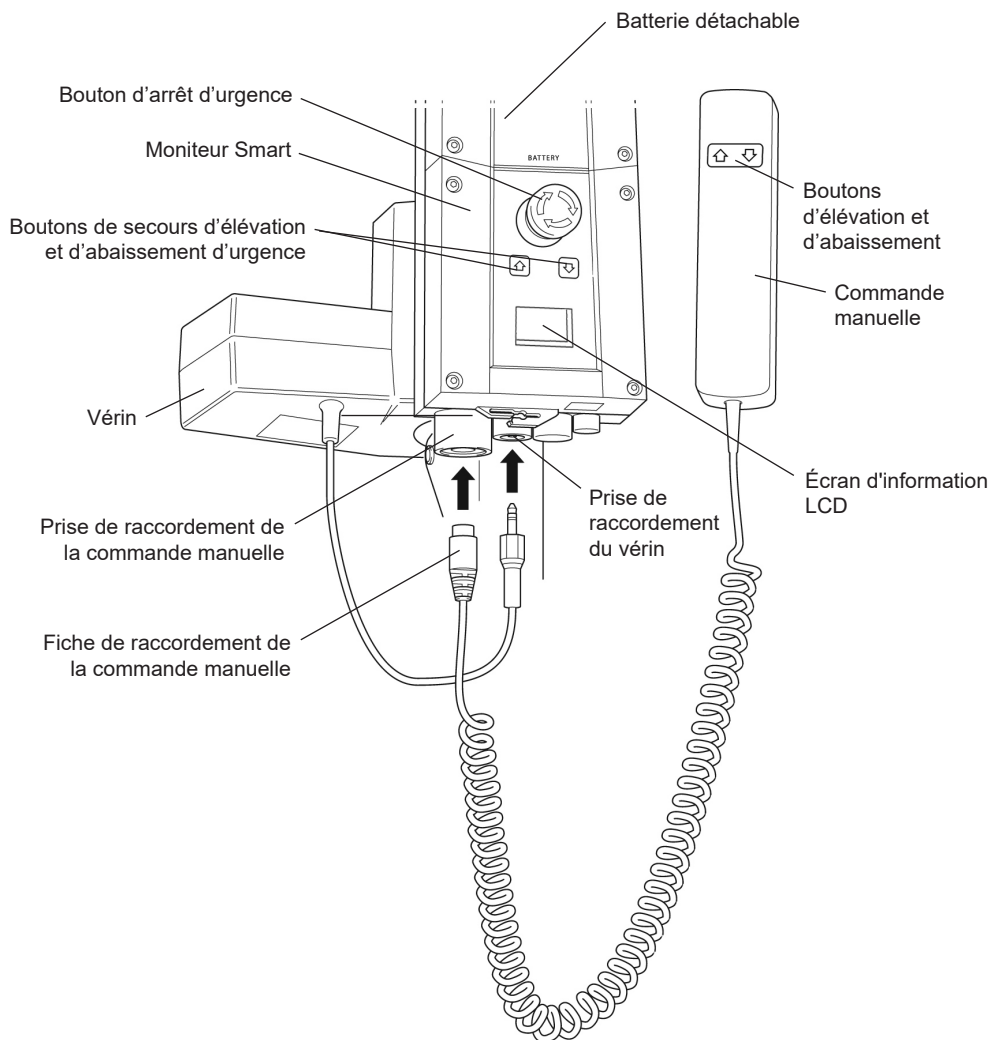
⚠ AVERTISSEMENT

Si l'Hoyer Journey est utilisé pour l'entraînement à la marche, il convient de retirer le cale-pieds et de procéder à une évaluation approfondie des risques afin de déterminer l'adéquation du matériel à cet effet, avant son utilisation.

6. Boîte de commande standard et commande manuelle



7. Moniteur Smart et commande manuelle



Utilisation prévue

Le moniteur Hoyer Smart est un système de commande prévu pour les lève-personnes Hoyer Mobile. Le Smart Monitor mémorise des données utiles relatives au lève-personne, lesquelles peuvent être consultées à tout moment si nécessaire. Ces données comprennent:

- Nombre de cycles de levage des patients
- Charge de travail totale réalisée par le vérin
- Nombre de levages effectués en surcharge (tentatives de levage avec une charge supérieure à la charge maximale autorisée)
- Le nombre de jour en service

Le moniteur Hoyer Smart intègre un microprocesseur qui permet de consulter les données relatives au lève-personne via un écran d'affichage LCD embarqué.

Caractéristiques

- Collecte des données dans la boîte de commande et affichage des données sur l'écran LCD
- Compteur d'opérations
- Compteur de cycles intelligent
- Informations sur l'utilisation en surcharge
- Indicateur de batterie à 3 témoins


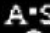


Avantages

- Sécurité renforcée pour le patient et l'assistant
- Données précises relatives au lève-personne accessibles sur simple activation d'un bouton.
- Durée de vie prolongée du produit
- Simplicité d'entretien pour les ingénieurs et les techniciens
- Identification simple et rapide des erreurs

Écran d'affichage LCD

Le moniteur Hoyer Smart permet l'affichage d'informations sur l'écran LCD. Il peut, par exemple, afficher le nombre total de cycles de levage, la charge de travail totale effectuée, les surcharges et le nombre de jours écoulés depuis le dernier entretien. Ces informations permettent de rapidement évaluer l'état du vérin du lève-personne.

Pour afficher ces informations, appuyez une demi-seconde sur le bouton 'HAUT' de la commande manuelle ou sur le bouton de secours 'HAUT' du moniteur Smart.

	12034	—	Total des cycles de levage
	1257000	—	Total de la charge de travail effectuée (Ampères * Secondes)
	7	—	Nombre de surcharges
	90 / —	—	Le nombre de jour en service

Information sur l'entretien

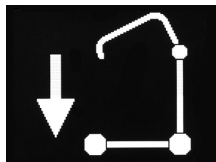


Si le lève-personne s'arrête en raison d'une surcharge (la charge à lever est supérieure à la charge maximale autorisée), le symbole de surcharge s'affiche sur l'écran LCD et le fonctionnement du lève-personne est interrompu jusqu'à ce que l'excès de charge ait été supprimé.

⚠ AVERTISSEMENT

Après la détection de surcharge par le lève-personne, Joerns Healthcare recommande d'effectuer **TOUTES** les vérifications de routine avant de réutiliser l'appareil (vous trouverez la liste des vérifications quotidiennes dans le manuel d'utilisation fourni avec le lève-personne). Joerns Healthcare vous recommande également de contacter votre service d'entretien agréé.

Commandes de secours embarquées

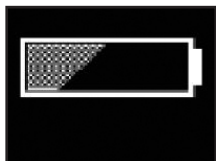


Les commandes de secours embarquées permettent de lever ou d'abaisser le lève-personne en situation d'urgence.

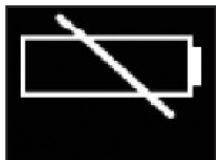
Niveau de batterie



Le symbole de la batterie pleine indique que la batterie est à pleine capacité et le lève-personne est prêt à l'emploi.



Le symbole de la batterie à moitié pleine indique qu'il est nécessaire de recharger la batterie.



Le symbole de la batterie vide indique que la batterie est complètement déchargée et doit être mise en charge immédiatement.

⚠ AVERTISSEMENT

Pour éviter tout endommagement irréversible de la batterie, il convient de mettre celle-ci en charge dès que l'écran affiche le symbole de la batterie à moitié pleine.

8. Instructions de fonctionnement

1. Réglage des pieds

La largeur des pieds de l'appareil Hoyer Journey est réglable. Les pieds peuvent être ouverts pour faciliter l'accès autour des fauteuils ou des fauteuils roulants. Lors du transfert et du passage par des portes et des endroits exigus, les pieds du lève-personne doivent être en position fermée. Pour ouvrir les pieds, appuyez la pédale (située à l'arrière de la base) vers la droite (BAS) et pour les fermer, appuyez la pédale vers la gauche (HAUT). Ce réglage peut se faire avec ou sans patient dans le lève-personne, mais doit impérativement se faire lorsque le lève-personne est en mouvement.

2. Roulettes et freinage

Le lève-personne comporte deux roulettes à frein, qui permettent d'immobiliser l'appareil. Durant le levage, les roulettes doivent rester libres et ne pas être bloquées. Le lève-personne peut ainsi se diriger vers son centre de gravité. Si les freins sont enclenchés, le patient peut basculer vers le centre de gravité, ce qui peut s'avérer déconcertant et inconfortable.

3. Levage et abaissement de la flèche

Le mouvement de la flèche est transmis par un puissant actionneur électrique, qui est lui-même contrôlé par une simple unité de commande manuelle. La commande manuelle est munie de deux boutons sur lesquels se trouvent les flèches UP (vers le haut) et DOWN (vers le bas) ↑↓. L'actionneur s'arrête automatiquement en fin de course dans les deux sens. La commande manuelle se branche sur une prise située à la base du boîtier de commande.

4. Arrêt d'urgence

Le bouton rouge d'arrêt d'urgence, situé à l'arrière du boîtier de commande, est activé lorsqu'on appuie dessus. Cela coupe l'alimentation du lève-personne, laquelle n'est rétablie que lorsque le bouton est tourné dans le sens anti-horaire, puis relâché.

5. Commandes de secours

Boîte de commande standard :

La boîte de commande standard est dotée de boutons d'élévation/abaissement d'urgence situés sous le bouton d'arrêt d'urgence. Pour les activer, il suffit d'insérer la pointe d'un stylo à bille dans les boutons intitulés "élévation/abaissement". Ils permettent d'élever ou d'abaisser le bras en cas de panne de la commande manuelle.

Moniteur Smart :

Le moniteur Smart est lui aussi doté de boutons d'abaissement et d'élévation sur la boîte de commande. Ils sont situés sous le bouton d'arrêt d'urgence et peuvent servir à élever / abaisser le patient en cas de panne de la commande manuelle. Ces boutons sont similaires à ceux de la commande manuelle, tant sur le plan visuel que fonctionnel.

Remarque : la charge MINIMALE requise pour abaisser manuellement le lève-personne à l'aide de la fonction d'abaissement mécanique d'urgence est de 30 kg.

6. Abaissement mécanique d'urgence

En cas de panne totale d'alimentation, le vérin électrique est doté d'un dispositif d'abaissement mécanique à ressort (RED BOSS). Celui-ci ne fonctionne que lorsque le lève-personne est chargé. Pour actionner le dispositif, tournez-le à la main et relâchez-le. Le bras se met à descendre lentement. Répétez jusqu'à ce que le patient soit complètement redescendu.

Remarque: La charge MINIMALE requise pour abaisser manuellement le lève-personne à l'aide de la fonction d'abaissement mécanique d'urgence est de 30 kg.

7. Batteries

Les batteries sont protégées contre les décharges poussées par une ALARME DE BASSE TENSION. Celle-ci retentit lorsque les batteries doivent être rechargées et que la commande manuelle est en usage. Elle ne retentit pas si la commande manuelle n'est pas en usage. NE NÉGLIGEZ PAS CETTE ALARME. Achevez le levage et mettez l'appareil sous charge (voir instructions de charge). Le niveau de charge de la batterie est affiché par l'indicateur sur le boîtier de commande.

⚠ ATTENTION

Seules les personnes autorisées sont habilitées à ouvrir la batterie, le chargeur, la commande manuelle, le boîtier de commande et l'actionneur. (Contactez votre distributeur pour tout renseignement sur la garantie et les réparations).

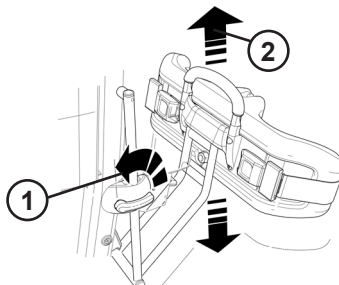
8. Courroies

L'appareil Hoyer Journey convient à des patients ASSIS. Les courroies convenant à ce dispositif sont décrites ci-après :

- Courroie de transport Hoyer
- Courroie de levée Hoyer

9. Réglage du protège-genou

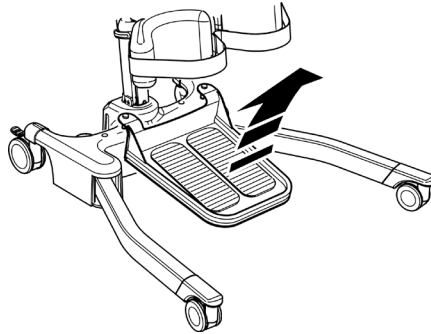
L'appareil Journey est équipé d'un protège-genou réglable. Pour des raisons de sécurité et de positionnement, il est recommandé de maintenir la poignée pendant le réglage du protège-genou. La plage de réglage du protège-genou est de 260 mm. Pour le régler, il suffit de suivre deux étapes simples. ETAPE 1, tournez le levier de réglage vers la gauche pour le déverrouiller. ETAPE 2, poussez la poignée vers le bas ou tirez-la vers le haut pour sélectionner la position désirée. Ensuite, tournez le levier de réglage vers la droite pour le verrouiller. REMARQUE : le levier peut être actionné des deux côtés du lève-personne.



10. Semelle amovible

Le lève-personne Journey est équipé d'une semelle amovible. Pour enlever cette semelle, placez-vous à l'avant du lève-personne Journey et soulevez la semelle à partir du milieu de l'assemblage.

REMARQUE : Le retrait de la semelle nécessite quelques précautions car elle est lourde. Utilisez toujours les techniques appropriées pour la manipuler et la déplacer.



⚠ AVERTISSEMENT

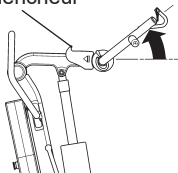
Utilisez toujours le cale-pied pour lever ou asseoir un patient. Une fois le patient debout, vous pouvez retirer le cale-pied pour l'aider à marcher.

11. Cornes de vache réglables

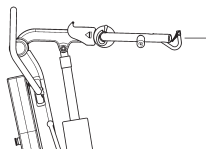
Le lève-personne Hoyer Journey est équipé d'un système d'écartement réglable. Ceci permet à l'accompagnateur de positionner les cornes de vache en fonction du patient et de l'environnement. Les cornes de vache se règlent sur trois positions. La position 1 est prévue pour les personnes de grande taille, la position 2 convient plus aux personnes de taille moyenne et la position 3 est pour les personnes de petite taille et les enfants, ou bien pour lever une personne assise dans un fauteuil bas. (ces indications sont données à titre d'information et il conviendra aussi de tenir compte du confort du patient). Pour régler l'écartement des cornes de vache, tirez la gâchette vers l'arrière tout en tenant la corne de vache. Sélectionnez la position désirée parmi les trois indiquées sur l'autocollant et relâchez la gâchette pour verrouiller. Il y a donc 3 positions de levée et une position supplémentaire pour l'entreposage/pliage.

Positions de levée

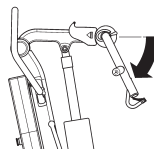
Déclencheur



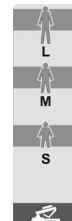
Position 1



Position 2



Position 3



Position 1

L

Position 2

M

Position 3

S

Entreposage/Pliage

9. Consignes de sécurité

Veillez lire et suivre les consignes de sécurité ci-dessous. Le fonctionnement et l'utilisation des lève-personnes Hoyer sont simples et clairs. Si vous suivez ces quelques consignes de sécurité fondamentales, vous serez en mesure d'utiliser ce lève-personne facilement et sans problème.

AVANT D'UTILISER VOTRE LÈVE-PERSONNE « JOURNEY », LISEZ LES INSTRUCTIONS DU MANUEL D'UTILISATION ET VEILLENZ À BIEN LES COMPRENDRE

AVERTISSEMENT: Consignes de sécurité pour les dangers qui pourraient causer des blessures graves.

ATTENTION: Information pour éviter des dommages au produit.

REMARQUE: Les informations à laquelle vous devez prêter une attention particulière.

AVERTISSEMENT

- **NE soulevez JAMAIS un patient si vous n'êtes pas qualifié, ni compétent en la matière.**
- **Inspectez TOUJOURS le matériel avant de l'utiliser (voir la liste des CONTRÔLES QUOTIDIENS fournie à la fin du manuel).**
- **NE dépassez PAS la charge maximale d'utilisation du lève-personne.**
- **Effectuez TOUJOURS vos préparatifs de levage avant de commencer.**
- **Familiarisez-vous TOUJOURS avec les commandes et les caractéristiques de sécurité d'un lève-personne avant de soulever un patient.**
- **N'utilisez PAS de sangle sans avoir préalablement vérifié sa compatibilité avec le lève-personne.**
- **Vérifiez TOUJOURS que la sangle utilisée convient pour le patient concerné et qu'elle a la taille et la capacité requises.**
- **N'utilisez JAMAIS une sangle effilochée ou endommagée.**
- **Placez TOUJOURS la sangle conformément aux consignes fournies (manuel de l'utilisateur).**
- **Vérifiez TOUJOURS que le poids du patient ne dépasse pas la charge de service maximale du lève-personne.**
- **Procédez TOUJOURS aux opérations de levage conformément aux instructions énoncées dans le manuel d'utilisation.**
- **Ne débranchez JAMAIS une option de commande ou de sécurité du lève-personne qui vous semble superflue.**
- **Bloquez TOUJOURS les roues lorsque vous soulevez un patient.**
- **N'essayez PAS de manœuvrer le lève-personne en poussant le mât, le bras ou le patient.**

- Manœuvrez **TOUJOURS** le lève-personne par la poignée prévue à cet effet. Une pédale est également fournie à cet effet.
- Ne déplacez **PAS** le lève-personne chargé à une vitesse dépassant une allure de marche lente (3 km/h ou 0,8 m/s).
- **NE** déplacez **PAS** le lève-personne sur un terrain inégal ou accidenté, surtout si le lève-personne est chargé.
- N'essayez **PAS** de faire franchir au lève-personne chargé un obstacle au sol.
- Actionnez **TOUJOURS** délicatement les touches de commande ou de sécurité. Toutes les commandes sont faciles à actionner et ne nécessitent pas d'utiliser une force excessive.
- N'immobilisez **PAS** le lève-personne chargé sur une surface inclinée.
- N'utilisez **PAS** un lève-personne électrique dans la douche.
- N'utilisez **PAS** le lève-personne dans un environnement humide ou corrosif, comme une salle d'eau ou de bains, ou une piscine.
- Ne rechargez **PAS** les batteries dans une salle de bains ou une salle d'eau.
- N'exposez **PAS** les batteries aux rayons du soleil ou à proximité d'une source de chaleur.
- Votre lève-personne est destiné au levage des patients. **NE** l'utilisez **JAMAIS** et ne laissez **JAMAIS** personne l'utiliser à d'autres fins.
- **NE** faites **PAS** descendre le lève-personne marche par marche, qu'il soit chargé ou à vide.
- N'essayez **PAS** de déplacer le lève-personne chargé sur une pente dont l'inclinaison dépasse le rapport 1:12 (environ 5 degrés).
- Déplacez le lève-personne sur une pente **UNIQUEMENT** SI une deuxième personne est présente pour vous assister.
- N'utilisez **PAS** le lève-personne sur une moquette épaisse.
- N'utilisez **JAMAIS** le lève-personne si des pièces ou des fixations sont desserrées ou manquantes.
- **PRENEZ CONNAISSANCE** de toutes les étiquettes de mise en garde apposées sur le lève-personne. Commandez et remplacez les étiquettes devenues illisibles.
- En cas de problème avec ce produit ou d'incident survenant durant l'utilisation du produit, veuillez contacter Joerns au numéro suivant afin de le signaler : 800-826-0270. Veuillez suivre les directives de signalement énoncées dans la partie 803 du code CFR 21, ou les consignes spécifiques du site ou de l'état.

10. Instructions de charge

Lorsque le bloc d'alimentation nécessite d'être chargé, retirez-le du lève-personne et insérez-le dans le chargeur non transporté.

Joerns Healthcare recommande d'acheter un pack de batteries supplémentaire afin d'avoir toujours à disposition un pack chargé.

1. Retirez le bloc d'alimentation du lève-personne. Le bloc est maintenu en place par un simple loquet fixé en haut. Il suffit de soulever le loquet pour libérer le bloc d'alimentation.
2. Insérez le bloc d'alimentation dans le chargeur. L'orientation et l'enclenchement du bloc d'alimentation dans le chargeur sont les mêmes que lorsqu'il est branché dans le lève-personne.
3. Branchez la fiche du chargeur sur une prise de courant, puis mettez le chargeur **SOUS TENSION**.
4. La charge est automatique et se poursuivra sur une période de quatre (4) heures jusqu'à recharge complète des batteries.

Remarque : même si le chargeur reste branché pendant une période plus longue que nécessaire, la charge des batteries s'interrompt dès que celles-ci sont pleines. Il n'y a pas de risque de surcharge.

- a) Témoin vert - Chargeur sous tension.
- b) Témoin jaune - Charge en cours.
- c) L'extinction du témoin jaune indique que la batterie est entièrement chargée.

Remarque : Il est conseillé de charger la batterie dès réception de celle-ci.

5. Pour réutiliser le lève-personne, débranchez la fiche du chargeur et retirez le bloc d'alimentation du chargeur. Insérez le bloc d'alimentation dans le lève-personne. Vérifiez que le loquet qui maintient le bloc en place est bien enclenché. S'il est bien enclenché, il doit émettre un clic. Le processus de charge des lève-personnes électriques Hoyer est simple, mais il est important de suivre attentivement les consignes énoncées. Prêtez une attention particulière aux points ci-dessous pour éviter tout problème de batteries déchargées.

AVERTISSEMENT

- **La batterie, le chargeur, la commande manuelle et la boîte de commande NE doivent PAS être ouverts par du personnel non autorisé. (Contactez votre distributeur pour toute information sur la garantie et les réparations).**
- **NE touchez PAS les bornes de la batterie/du chargeur.**
- **VEILLEZ à ce que les batteries restent en permanence complètement chargées. Pendant les périodes de non-utilisation du lève-personne, mettez la batterie en charge. Vous pouvez également mettre la batterie en charge la nuit. Le chargeur interrompt automatiquement la recharge dès que les batteries sont pleines. Il n'y a pas de risque de surcharge**
- **NE laissez JAMAIS les batteries se décharger complètement. Dès que l'avertisseur sonore retentit, terminez le levage en cours, puis mettez-les batteries en charge.**
- **Pour éviter tout endommagement irréversible de la batterie, il convient de mettre celle-ci en charge dès que l'écran affiche le symbole de la batterie à moitié pleine.**

- **N'entreposez JAMAIS** la batterie pendant une longue période sans le recharger régulièrement.
- **Veillez à TOUJOURS** mettre le chargeur hors tension avant de brancher ou de débrancher le bloc d'alimentation.
- **Ne laissez JAMAIS** le bloc d'alimentation branché au chargeur si ce dernier est hors tension.
- **NE LAISSEZ PAS** le chargeur sous tension si la batterie est débranchée.
- **N'UTILISEZ PAS** le lève-personne pendant qu'il est en charge.
- **VÉRIFIEZ** que le lève-personne n'est pas en charge avant de le déplacer afin d'éviter tout endommagement électrique.
- **NE DÉBRANCHEZ JAMAIS** le chargeur en tirant sur le câble.
- **VEILLEZ** à ne pas trébucher sur le câble du chargeur.
- **NE RECHARGEZ PAS** un lève-personne électrique dans une salle de bains ou une salle d'eau.

11. Périodicité d'entretien

Tous les produits Hoyer sont conçus de manière à ne nécessiter qu'un entretien minimal ; toutefois, certaines vérifications et procédures de sécurité sont nécessaires. Les contrôles quotidiens, une révision, une inspection et un test annuels sont la garantie d'un état de fonctionnement optimal du lève-personne. Une liste des pièces détachées est disponible sur demande.

LISTE DES VÉRIFICATIONS QUOTIDIENNES: Joerns Healthcare vous conseille vivement d'effectuer les vérifications suivantes chaque jour et avant d'utiliser le lève-personne.

- ASSUREZ-VOUS que le lève-personne se déplace facilement sur ses roulettes.
- VÉRIFIEZ que la barre d'écartement (cornes de vache) est bien fixée sur la flèche.
- RECHERCHEZ les signes d'usure sur les crochets de la courroie et sur les dispositifs de suspension latéraux de la barre d'écartement et de la flèche.
- ASSUREZ-VOUS que les pieds s'ouvrent et se referment correctement.
- ACTIONNEZ la commande manuelle ou l'unité hydraulique pour confirmer que la flèche se soulève et s'abaisse normalement.
- VÉRIFIEZ le bon fonctionnement du bouton d'arrêt d'urgence.
- INSPECTEZ les courroies afin de déceler tout éventuel signe d'effilochage ou d'usure. N'UTILISEZ PAS de courroie endommagée.
- ASSUREZ-VOUS que l'alarme de batterie faible ne se déclenche pas lorsque la commande manuelle est actionnée. Si l'alarme retentit * N'UTILISEZ PAS l'appareil et mettez-le sous charge immédiatement.

ENTRETIEN

Joerns Healthcare recommande d'effectuer une inspection et un entretien à intervalles réguliers. Veuillez vous reporter au tableau de la page suivante.

***CES VÉRIFICATIONS DOIVENT PORTER SUR :**

✓ = Recommandé

	Initialement	Avant utilisation	Révision annuelle
1. FLÈCHE : Vérifiez que la flèche est fixée sur le mât. Assurez-vous que le mouvement latéral de la flèche est minimal et qu'elle tourne librement sur son roulement.	✓	✓	✓
2. POINTS DE FIXATION DE LA COURROIE : Examinez les crochets et les clips de fixation sur la barre d'écartement et la flèche afin de déceler toute usure excessive.	✓	✓	✓
3. MÂT : Vérifiez le fonctionnement du dispositif de verrouillage du mât. Assurez-vous que le mât s'engage entièrement dans la douille.	✓	✓	✓
4. CORNES DE VACHE : Vérifiez que les cornes de vache sont bien enclenchées et dans la bonne position.	✓	✓	
5. ACTIONNEUR : Hormis la vérification du bon fonctionnement et la recherche de bruits inhabituels, l'actionneur ne nécessite en principe aucun entretien.	✓		✓
6. PROTÈGE-GENOU : Vérifiez que le dispositif de réglage du protège-genou est bien attaché.	✓	✓	
7. BOÎTIER DE COMMANDE / MONITEUR SMART : Vérifiez le bon fonctionnement du bouton d'arrêt d'urgence. Vérifiez le branchement de la prise de la commande manuelle. Vérifiez le fonctionnement de la commande manuelle. Vérifiez que les commandes de secours fonctionnent correctement.	✓	✓	✓
8. BATTERIES : Les batteries sont logées dans le bloc d'alimentation et, à l'exception de recharges régulières effectuées conformément aux instructions de charge, elles ne nécessitent en principe aucun entretien. Vérifiez la propreté des connexions.			✓
9. BATTERIES (Recharge) : Vérifiez que le lève-personne n'émet pas d'alarme de batterie faible pendant que la commande manuelle est actionnée. Si l'alarme retentit, n'utilisez pas le lève-personne et placez immédiatement la batterie sur le chargeur.	✓	✓	
10. RÉGLAGE DES PIEDS : Vérifiez que les pieds s'orientent complètement dans les deux directions (vers l'intérieur / l'extérieur).	✓		✓
11. ROULETTES : Vérifiez que toutes les roulettes sont solidement fixées sur les pieds. Vérifiez que les roulettes et les roues tournent librement.	✓	✓	✓
12. NETTOYAGE : Nettoyez au savon ordinaire et à l'eau et /ou avec un désinfectant pour surfaces dures. Les produits de nettoyage chimiques corrosifs ou les abrasifs doivent être évités, car ils peuvent endommager la fini du lève-personne. Évitez de mouiller les pièces électriques.		✓	✓
13. BASE ET ROUES : Assurez-vous que la base est régulière et nivelée (les quatre roues reposent sur le sol).	✓	✓	✓
14. COURROIES : Vérifiez qu'elles ne sont pas usées, ni effilochées.	✓	✓	✓
15. LUBRIFICATION : Huilez les joints pivotants, y compris les pièces reliant le mât et la flèche, l'ensemble de la pédale, la barre d'écartement et le joint (si nécessaire).			✓
16. COMBINÉ : Vérifiez qu'il est totalement branché dans le contrôleur.	✓	✓	
17. FIXATIONS : Vérifiez que les écrous, boulons, vis et fixations ne présentent pas de signe d'usure et sont correctement serrés. Remplacez-les si nécessaire.		✓	✓

12. Spécifications techniques

Charge maximale d'utilisation	341 lbs	155 kg
Longueur maximale hors tout.....	39,4 pouces	1000 mm
Longueur minimale hors tout.....	36,8 pouces	935 mm
Hauteur maximale hors tout.....	63,0 pouces	1600 mm
Hauteur minimale hors tout.....	44,5 pouces	1130 mm
Hauteur maximale de la barre d'écartement.....	60,2 pouces	1530 mm
Hauteur minimale de la barre d'écartement.....	28,4 pouces	720 mm
Rayon de braquage.....	45,1 pouces	1145 mm
Pieds ouverts - Largeur externe	38,2 pouces	970 mm
Pieds ouverts - Largeur interne.....	34,5 pouces	875 mm
Pieds fermés - Largeur externe	27,0 pouces	685 mm
Pieds fermés - Largeur interne	22,2 pouces	590 mm
Point le plus large (entre poignées)	26,8 pouces	680 mm
Hauteur des pieds, hors tout.....	4,3 pouces	110 mm
Garde au sol.....	1,2 pouces	30 mm
Roulettes jumelées avant.....	3,0 pouces	75 mm
Roulettes arrière à freins.....	4,0 pouces	100 mm

Poids

Ensemble mât, base et flèche.....	82,4 lbs	37,4 kg
Bloc d'alimentation	6,2 lbs	2,8 kg
Total	88,6 lbs	40,2 kg
Base (sans la batterie)	30,2 lbs	13,7 kg
Mât et flèche (sans la batterie).....	42,3 lbs	19,2 kg
Cale-pieds	9,9 lbs	4,5 kg

REMARQUE : Toutes les dimensions sont indiquées avec une tolérance de fabrication.

SPÉCIFICATIONS ÉLECTRIQUES :

BATTERIES.....	24 volts, type plomb-acide, scellées rechargeables
CAPACITÉ DES BATTERIES.....	3,2 A/h
VALEURS NOMINALES D'ENTRÉE DU CHARGEUR	100 - 240 V CA/ 50/60 Hz
VALEURS NOMINALES DE SORTIE DU CHARGEUR	29,5 V CC, à Max. 19 W

PROTECTION CONTRE LES DÉCHARGES ÉLECTRIQUES

CHARGEUR.....	CLASSE II (EN 60601-1)
LÈVE-PERSONNE	SOURCE D'ALIMENTATION INTERNE

DEGRÉ DE PROTECTION CONTRE LES DÉCHARGES

CHARGEUR.....	TYPE B (EN 60601-1)
LÈVE-PERSONNE	TYPE B (EN 60601-1)

CONDITIONS ENVIRONNEMENTALES :

En dehors de ce type d'environnement le fonctionnement et la sécurité de l'appareil peuvent être compromis.

FONCTIONNEMENT :

TEMPÉRATURE	5°C à 40°C
HUMIDITÉ RELATIVE.....	20% à 90% @ 30°C - sans condensation
PRESSION ATMOSPHÉRIQUE	700 à 1060 hPa

ENTREPOSAGE :

TEMPÉRATURE	-10°C à +50°C
HUMIDITÉ RELATIVE.....	20% à 90% @ 30°C - sans condensation
PRESSION ATMOSPHÉRIQUE	700 à 1060 hPa

PROTECTION D'ENTRÉE

BOÎTIER DE COMMANDE	IPX4
ACTIONNEUR	IPX4
CHARGEUR NON TRANSPORTÉ	IPX5
BATTERIE	IPX5
COMBINÉ	IPX5

CYCLES DE SERVICE

ACTIONNEUR	10% (2 min./18 min.)
CHARGEUR	Environ 4 heures

ACOUSTIQUE

NIVEAU SONORE PONDÉRÉ A	60 DB (A)
-------------------------------	-----------

PRINCIPAUX SYMBOLES :

Vous trouverez les symboles suivants sur le chargeur, l'unité de commande et la batterie :



Equipement de type B, conformément à EN 60601-1



Equipement de Classe 2



Ne pas jeter le chargeur et l'unité de commande avec les déchets ménagers.



Ne pas jeter la batterie avec les déchets ménagers.



Ne pas jeter les composants électroniques avec les déchets ménagers.



Utilisation à l'intérieur



ATTENTION, consultez les documents fournis.

Numéro DEEE : WEE/GG0464RZ

13. Garantie

Cette garantie couvre uniquement les lève-personnes HoyerPro. Les lève-personnes non couverts par cette garantie sont, sans s'y limiter : Advance-H, HML400, HPL600WB, HPL600WBSC, HPL402, C-HLA (et variations).

Le lève-personne HoyerPro est garanti pour une période de deux ans à compter de la date de livraison contre tout vice de matériau et de fabrication dans des conditions normales d'utilisation et d'entretien. La garantie couvre tous les composants mécaniques et électriques.

Les composants structurels en aluminium et les pièces mécaniques du lève-personne sont couverts par une garantie de cinq (5) ans à compter de la date de livraison.

Tout endommagement dû à des conditions d'utilisation inadaptées ou à l'absence d'entretien conformément aux consignes d'utilisation et d'entretien n'est pas couvert par la garantie. Toute transformation, modification ou réparation, à moins d'avoir été effectuée par ou approuvée par écrit par Joerns Healthcare, a pour effet d'annuler la garantie.

Pièces :

Le lève-personne HoyerPro contient des pièces susceptibles de s'user au cours de l'utilisation normale. Ces pièces, telles que les batteries cc et les roulettes, n'entrent pas dans la garantie de deux ans, mais sont couvertes pendant 90 jours à compter de la date de livraison.

En vertu de cette garantie, l'obligation de Joerns Healthcare se limite à la fourniture des pièces de rechange, à la réparation ou au remplacement, à son entière discrétion, de tout produit déterminé comme étant défectueux par Joerns Healthcare.

Les pièces de rechange sont couvertes par la garantie jusqu'à expiration de la période de garantie initiale du produit.

À la demande de Joerns Healthcare, les pièces doivent être renvoyées pour inspection aux frais du client. Un avoir sera remis après l'inspection uniquement.

Révision :

La plupart des révisions sont effectuées par le service d'entretien, en collaboration avec le service après-vente de Joerns Healthcare.

La majorité des pièces peuvent être expédiées par avion dès le lendemain, aux frais du client.

En cas de nécessité, un technicien, pourra, à la discrétion de Joerns Healthcare, être envoyé sur place. Seul le service après-vente de Joerns Healthcare est habilité à envoyer des techniciens agréés sur place.

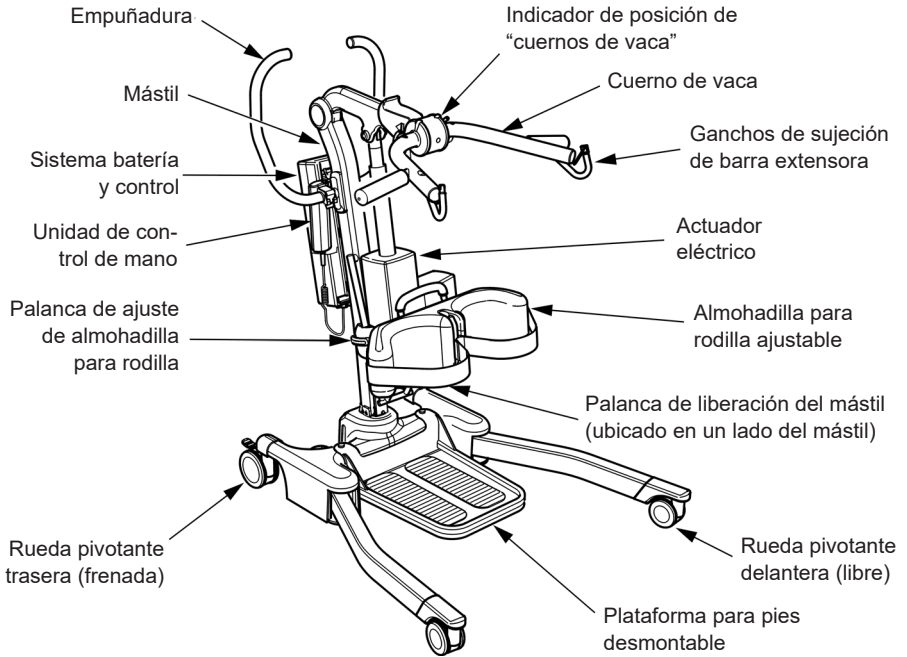
Cette garantie est étendue à l'acheteur original du produit.

Índice

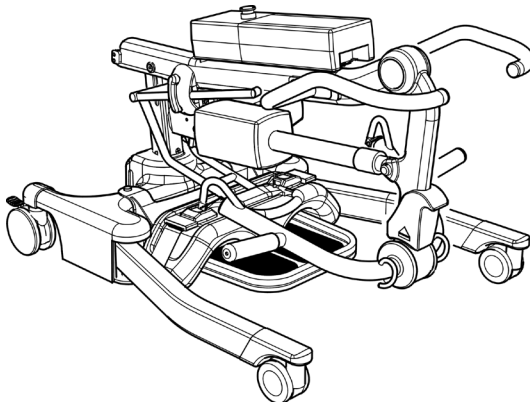
1. El elevador de pacientes Hoyer Journey	63
2. Introducción: generalidades sobre el elevador	64
3. Instrucciones de montaje y encargo	65
4. Guía de eslingas	70
5. Elevación con un Hoyer Journey	72
6. Caja de control estándar y control de mano.....	74
7. Monitor Smart y control de mano	75
8. Instrucciones de funcionamiento.....	79
9. Precauciones de seguridad.....	82
10. Instrucciones para la carga	84
11. Plan de mantenimiento y lista de comprobación diaria.....	86
12. Especificaciones técnicas.....	88
13. Garantía.....	91

1. El elevador de Hoyer Journey

Posición lista para usar



Posición de almacenamiento



2. Introducción: generalidades sobre el elevador

El embalaje consta de una caja de cartón resistente, hecha a medida para asegurar que el equipo llegue intacto a su destino.

Junto con el elevador, se incluye en el embalaje una carpeta que contiene varios documentos, los cuales debe conservar en un lugar seguro para referencias futuras:

- CERTIFICADO DE VERIFICACIÓN
- MANUAL DEL USUARIO

El certificado de prueba es un documento importante y debe mantenerse como referencia. Para mantener adecuadamente su elevación por favor consulte el calendario de mantenimiento incluidos en este documento. Si usted está en todo seguro de lo que las necesidades de servicios de su país son, por favor consulte con su distribuidor y / o una agencia del gobierno local.

Declaración de uso al que está destinado

El uso previsto para este dispositivo es la elevación y transferencia seguras de un individuo de una superficie de descanso a otra (como de una cama a una silla de ruedas, por ejemplo). Joerns Healthcare recomienda que la transferencia de pacientes se lleve a cabo posteriormente a una evaluación de riesgos, y de manera segura, en una breve distancia solamente.

El modelo Hoyer Journey solo es adecuado para pacientes en posición SENTADA, con un grado de capacidad de tolerancia de peso, pero que requieren asistencia para pararse. Al extraer la bandeja inferior, el elevador de pacientes Hoyer Journey puede usarse también como apoyo para caminar, tras haber realizado una exhaustiva evaluación de riesgos.

El sistema Hoyer Journey es un dispositivo de apoyo diseñado para promover la manipulación y transferencia seguras del paciente, tanto para el individuo que está siendo transportado como para la persona a cargo. El elevador se pliega sin necesidad de herramientas, lo que facilita el almacenamiento en entornos donde el espacio es reducido o el transporte en vehículos con un espacio de almacenamiento adecuado.

El asistente para pararse Hoyer Journey está diseñado para ser utilizado con la amplia gama de arneses Hoyer. A continuación citamos ejemplos de arneses adecuados para uso con este dispositivo:

- Hoyer Arnés para estar de pie
- Hoyer Arnés para transporte

Es importante que los usuarios de este producto estén debidamente capacitados en el uso correcto y la práctica segura del manejo manual. Joerns Healthcare recomienda encarecidamente que se realice una evaluación de riesgos del paciente cara a cara para determinar la seguridad y el bienestar del paciente y los cuidadores en todo momento antes de cada uso. Joerns Healthcare no se responsabiliza por el uso inadecuado o no capacitado que resulte en lesiones al paciente y/o cuidador. Si necesita capacitación sobre este o cualquier otro producto de Joerns Healthcare, comuníquese con nosotros para obtener ayuda.

Vida útil estipulada previa al mantenimiento:

Los elevadores profesionales Hoyer están diseñados y evaluados para durar un período mínimo de diez (10) años previamente a efectuarse algún tipo de mantenimiento, dependiendo del uso y cumplimiento con las tareas de mantenimiento establecidas en este manual. El uso diferente al establecido en estas instrucciones, podría comprometer la vida útil del producto.

3. Instrucciones de montaje y encargo

Contenido de la caja

Coloque la caja en una zona de trabajo despejada y ábrala con cuidado. La caja contiene:

- ELEVADOR HOYER JOURNEY
- UNIDAD DE BATERÍA
- CARPETA CON DOCUMENTOS
- CABLE DE CARGA
- CONTROL DE MANO
- CARGADOR/SOPORTE DE SOBREMESA

⚠ ADVERTENCIA

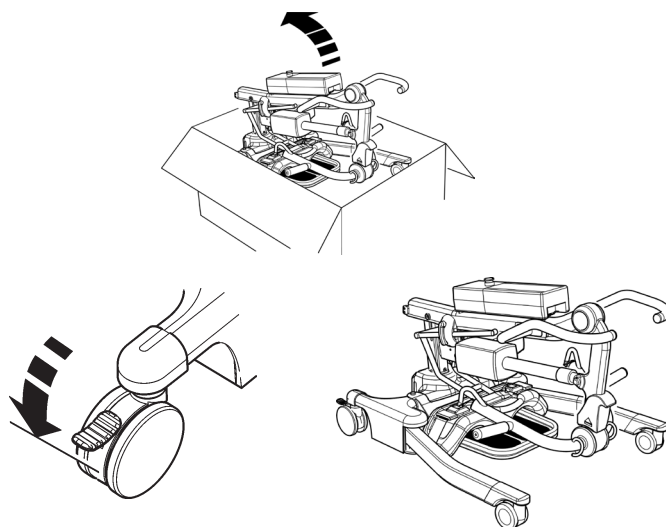
El Hoyer Journey es pesado y habrá que tener cuidado al levantarlo. Puede que necesite ayuda para extraer el Hoyer Journey de la caja.

Instrucciones de montaje

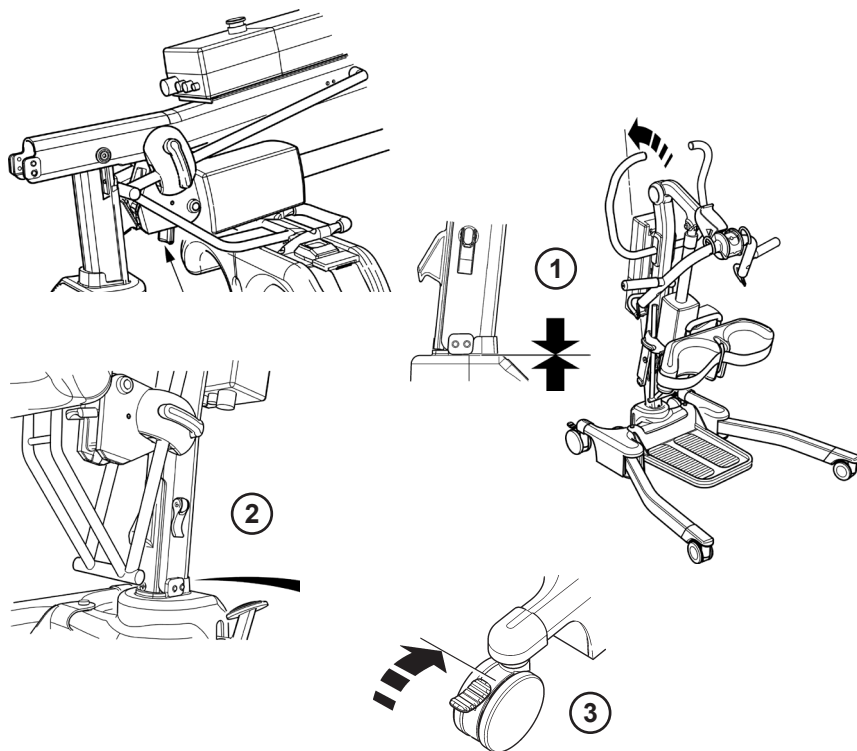
El Hoyer Journey se entrega en la posición de almacenamiento; o sea, plegado; el proceso de ensamble presentado a continuación demuestra tres pasos sencillos necesarios para llevar el Hoyer Journey de la posición de almacenamiento a la posición de utilización. Para llevar a cabo este proceso no hacen falta herramientas adicionales.

1. Retire todas las piezas de la caja y colóquelas en el suelo, con cuidado de evitar que el equipo sufra daños en su superficie.

Con cuidado, levante y retire el Hoyer Journey de la caja. Coloque el elevador en posición plana sobre el piso y compruebe que las ruedas pivotantes traseras estén fijas.



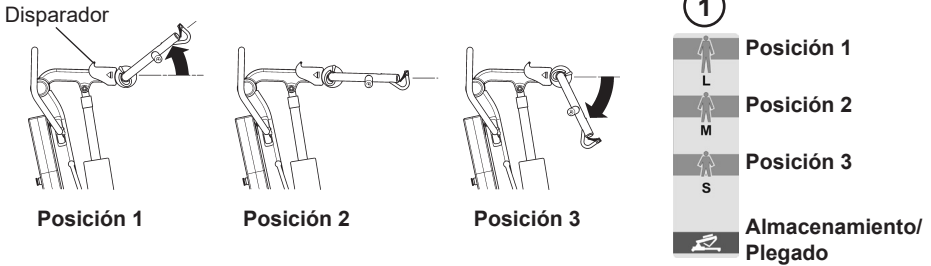
2. Para colocar el Hoyer Journey en posición de utilización, eleve las piezas del mástil hasta que queden erguidas. Para ello, presione el botón de liberación del mástil ubicado debajo del actuador (tal como se muestra). De este modo, se suelta el conjunto de piezas del mástil para poder ascender. Tomando la parte superior del asa de empuje, levante el mástil hasta que quede en posición erguida e insértelo en la ranura (1). Esto se logra girando la palanca del mástil en el sentido del reloj para ajustar y, a continuación, empujando la palanca de bloqueo del mástil para abajo, hacia la superficie del mástil. (2). Finalmente, libere las ruedas pivotantes traseras y el Hoyer Journey estará listo para ser utilizado (3).



⚠ PRECAUCION!

Evite que queden atrapados los dedos. Mantenga los dedos alejados del extremo del mástil al insertarlo en la ranura. Ajuste el dispositivo de fijación del mástil, y libere las ruedas pivotantes traseras.

3. Escoja una de las tres posiciones disponibles del mecanismo de “cuernos de vaca” que se adapte a la tarea que pretende realizar con el paciente o al entorno. Para escoger una de las tres posiciones de los “cuernos de vaca”, simplemente tire del gatillo hacia la parte posterior del elevador mientras sostiene los “cuernos de vaca”. A continuación, escoja la posición deseada, tal como indica la calcomanía de posiciones (1) y suelte el gatillo para fijarla. El elevador ya está listo para ser utilizado.

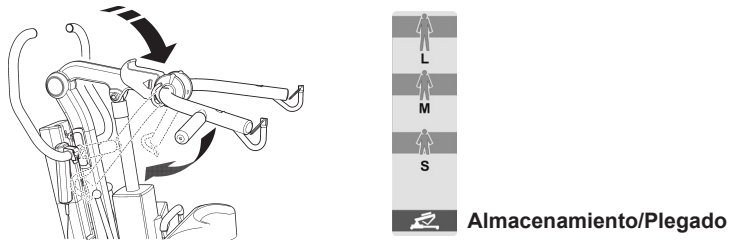


NOTA: Ver página 102 para obtener más información acerca de las posiciones de los “cuernos de vaca”.

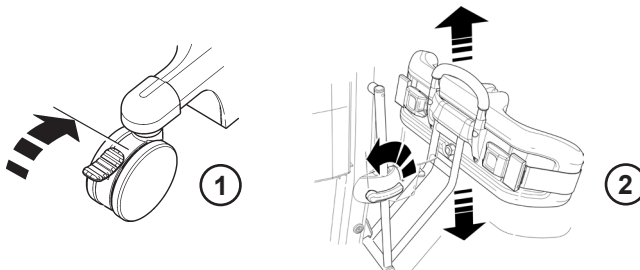
Desmontaje

Para desmontar y guardar el Hoyer Journey, siga los cuatro pasos sencillos que se describen a continuación; para ello no hacen falta herramientas adicionales.

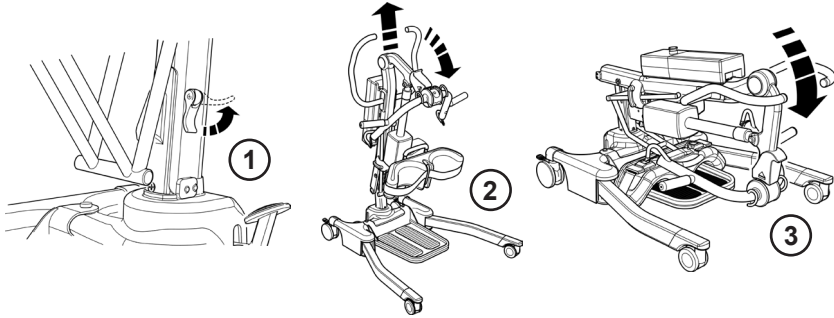
1. Descienda el brazo principal hasta la posición más baja y establezca los “cuernos de vaca” en la posición de almacenamiento o plegada (tal como se muestra).



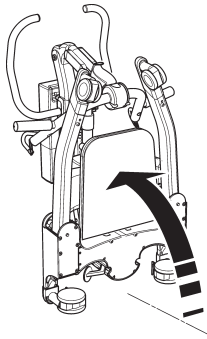
2. Asegúrese de que las ruedas pivotantes traseras estén fijas (1). Eleve el almohadillado para rodillas hasta la posición más alta (2).



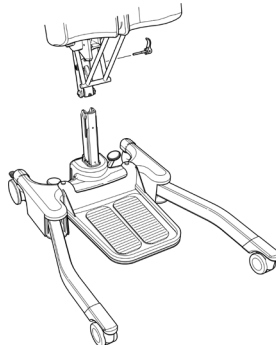
3. Libere la palanca de fijación del mástil tirando hacia afuera del mástil (1). Sujete el asa de empuje y levante el mástil, luego empuje hacia abajo (2), plegando con cuidado el conjunto de piezas del mástil hacia las patas hasta oír un “clic” (3). El “clic” indica que el mástil ya está plegado e inmobilizado.



4. Una vez plegado, levante el Hoyer Journey hasta incorporarlo utilizando las patas y las asas de empuje como guía.



NOTA: Si desea separar completamente el mástil y el brazo principal de la base y las patas, abra la palanca de fijación del mástil al máximo (retire las piezas de la clavija del mástil) y separe mástil y brazo principal de la base. Procure no perder la palanca de fijación del mástil y el husillo de ubicación.

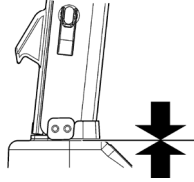


⚠ PRECAUCION!

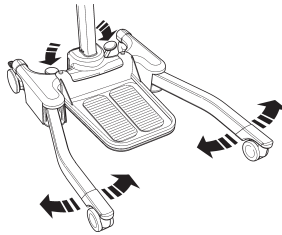
Debe tener cuidado al plegar o desplegar el Hoyer Journey, ya que podría atraparse los dedos o lesionarse. Siga las instrucciones con precaución y solicite ayuda si no está familiarizado con el procedimiento correcto.

COMPRUEBE SIEMPRE LO SIGUIENTE ANTES DE HACER USO DEL PRODUCTO:

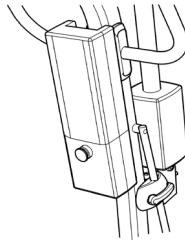
- El mástil está completamente bloqueado en su posición (ver instrucciones de ensamble, página 96).



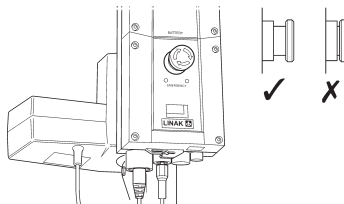
- Las patas del elevador se abren y cierran sin problema (usando los pedales de pie).



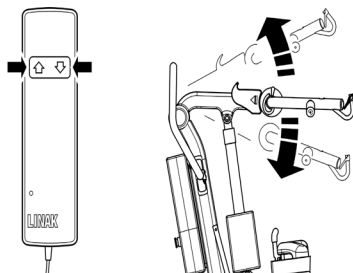
- La unidad de batería está instalada en el elevador y el pestillo que la sujeta está correctamente ubicado en posición. Para asegurarse de que esté correctamente ubicado, se debe oír un "clac".



- El botón rojo de freno de emergencia, ubicado en el cuadro de control, debe estar apagado (RUN).



- Los botones de flecha hacia arriba y abajo en el control de mano bajan y suben el brazo principal satisfactoriamente.



4. Guía de eslingas

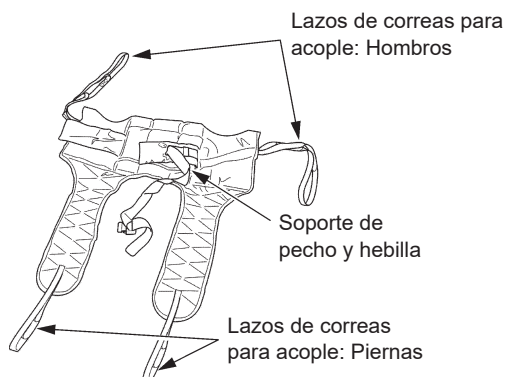
El Hoyer Journey es adecuado para pacientes en posición SENTADA. Las eslingas adecuadas para este dispositivo son las siguientes:

- * Eslinga Hoyer Transport (disponible en varios tamaños)
- * Eslinga Hoyer Standing (disponible en varios tamaños)

GUÍA DEL USUARIO PARA LAS ESLINGAS STANDAID

Las eslingas Transport y Standing son fáciles de instalar, y útiles como asistencia para incorporarse y como sostén. No se trata de eslingas de uso general. Una persona calificada deberá evaluar si su utilización es adecuada para un paciente dado.

Eslinga Transport

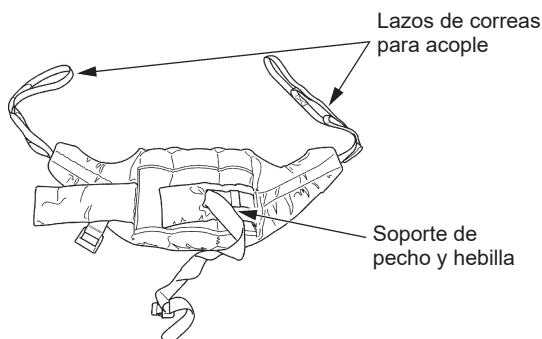


Instrucciones de colocación

Pase la eslinga por la espalda del paciente y por debajo, dejando la parte superior de la apertura de la silla en la base de la columna. Compruebe que la parte almohadillada de la eslinga esté en ángulo recto en toda la espalda del paciente. Ajuste la correa de soporte alrededor del pecho del paciente. Esta correa no necesita estar apretada. Está allí para sostener la eslinga en posición correcta mientras se ajustan los lazos al Standaid. Puede dejarse sin abrochar si se prefiere. Asegúrese de que los brazos del paciente queden fuera de la eslinga (consulte la fig. C, página 103).

Levante la pierna del paciente y pase la correa para la pierna por debajo y hacia arriba, entre las piernas. Asegúrese de que la eslinga no quede torcida o arrugada bajo el muslo. Repita este procedimiento para la otra pierna. Sujete los bucles de las partes almohadilladas de la eslinga a los ganchos blancos en el extremo de las empuñaduras. Sin cruzar los lazos de las correas de las piernas, engánchelos en los ganchos de la izquierda y la derecha de la horquilla elevadora. Normalmente se utiliza la parte intermedia de los tres lazos. El paciente ya está listo para ser elevado de la silla. Una vez fuera de la silla, el paciente estará más cómodo si se le baja a la posición sentada. Joerns Healthcare recomienda comprobar las eslingas regularmente y, en especial, antes del uso por si están deshilachadas o dañadas. No utilice eslingas que estén desgastadas o dañadas.

Eslinga Standing (para incorporarse)



Instrucciones de colocación

Coloque la eslinga por debajo de la espalda del paciente entre la base de las escápulas del hombro y la parte inferior de las costillas. Sujete las correas de apoyo alrededor de la parte delantera del paciente. Esta correa no necesita estar apretada. Su función consiste en sujetar la eslinga en su posición mientras se sujeta la eslinga al Standard. Puede dejarse sin abrochar si se prefiere. Asegúrese de que los brazos del paciente queden afuera de la eslinga (consulte la fig. A, página 103)

NOTA: Para obtener instrucciones de colocación más detalladas, consulte la guía del usuario proporcionada con cada eslinga.

⚠ ADVERTENCIA

Joerns Healthcare recomienda comprobar las eslingas regularmente y, en especial, antes del uso por si están deshilachadas o dañadas. **NO** utilice eslingas que estén desgastadas o dañadas.

⚠ ADVERTENCIA

Las eslingas y elevadores Hoyer no son intercambiables con productos de otros fabricantes. La utilización de productos de otros fabricantes en los productos Hoyer es peligrosa y podría causar serias lesiones al paciente o asistente.

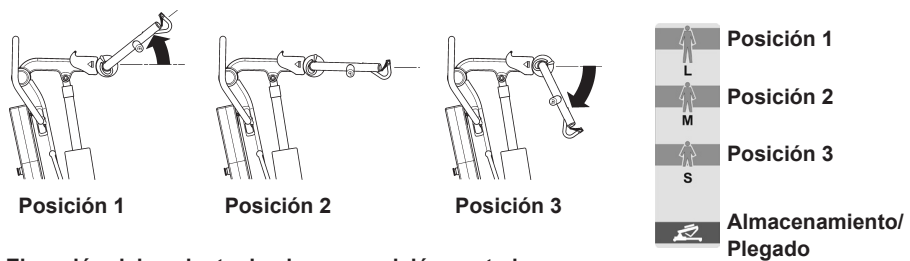
⚠ ADVERTENCIA

Consulte la capacidad de peso máximo del elevador. La capacidad de la eslinga está limitada por la capacidad máxima del elevador.

5. Elevación con un Hoyer Journey

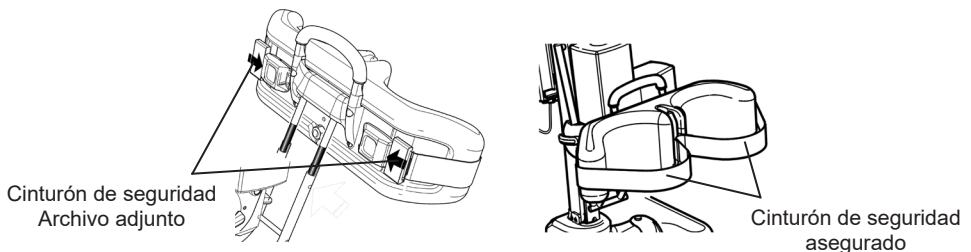
El Hoyer Journey cuenta con un mecanismo ajustable de “cuernos de vaca” o barra extensora. Esto permite al proveedor de cuidados ubicar los “cuernos de vaca” en una posición cómoda para adaptarse al entorno del paciente. Los cuernos de vaca tienen tres posiciones. La posición 1 es más adecuada para un paciente de tamaño grande o alto; la posición 2 es más adecuada para un paciente de tamaño mediano o promedio; y la posición 3 es más adecuada para un paciente de tamaño pequeño, pediátrico o para levantar a un paciente de una silla baja. (Tenga en cuenta que éstas son pautas solamente, por lo tanto puede que deba adaptar la posición para proporcionar comodidad al paciente). Para escoger una de las tres posiciones de los “cuernos de vaca”, simplemente tire del gatillo hacia la parte posterior del elevador mientras sostiene los “cuernos de vaca”. A continuación, escoja la posición deseada, tal como indica la calcomanía de posiciones, y suelte el gatillo para fijarla. Los “cuernos de vaca” presentan tres alternativas de posiciones para elevar al paciente y una más para adoptar la posición de almacenamiento o plegado.

Posiciones de los “cuernos de vaca” para elevar al paciente

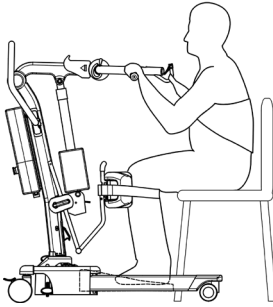
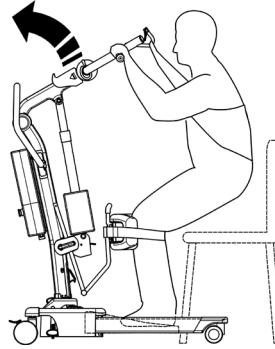
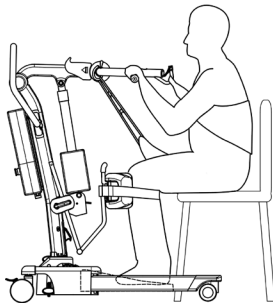
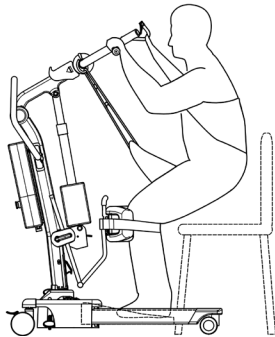


Elevación del paciente desde una posición sentada

Escoja la posición de los “cuernos de vaca” más apropiada para el paciente o el entorno. Una vez completo este paso, coloque la Standard de modo que los pies del paciente descansen sobre la plataforma para pies y las rodillas, sobre el almohadillado para rodillas. La posición perfecta de la almohadilla para rodilla es justo debajo de la rótula. Regule la almohadilla para rodilla en consecuencia y aplique el cinturón de seguridad, de ser necesario. Si no fuese necesario, puede desmontar el cinturón de seguridad y guardarlo.



Acople los lazos de la eslinga a los ganchos grises ubicados en los extremos de las empuñaduras del Hoyer Journey. Las manos del paciente deben colocarse sujetando las empuñaduras (ver fig. A o C). Antes de proceder con la elevación, realice una última verificación visual para asegurarse de que los lazos de la eslinga estén correctamente instalados y sujetos. A continuación presione el botón de flecha hacia ARRIBA del control de mano para levantar al paciente hacia la posición de incorporarse (ver fig. B o D).

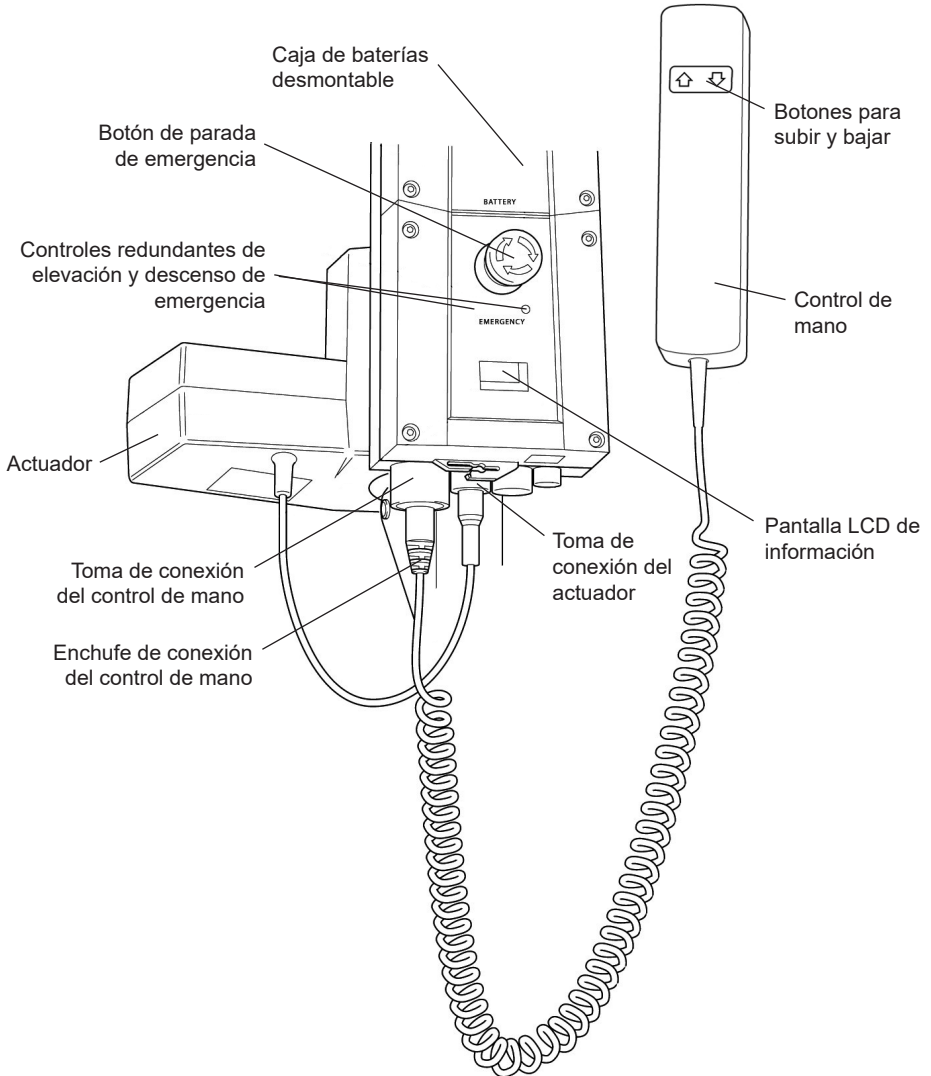
Eslinga Standing:**Fig. A****Fig. B****Eslinga Transport:****Fig. C****Fig. D**

NOTA: Joerns Healthcare recomienda llevar a cabo una evaluación de riesgo antes de efectuar la elevación.

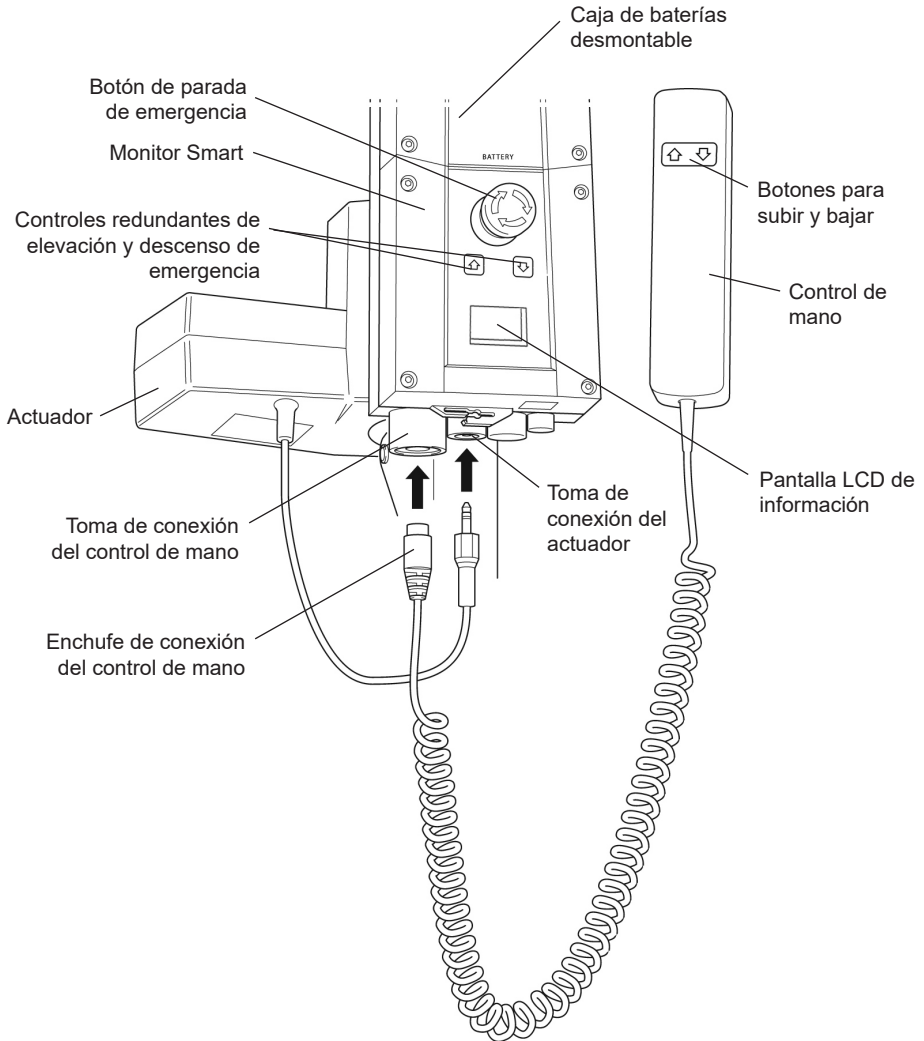
⚠ ADVERTENCIA

Si utiliza el sistema Hoyer Journey para practicar caminatas, debe extraer la placa para pies y efectuar una evaluación de riesgo exhaustiva antes de proceder a la elevación a fin de comprobar la idoneidad del dispositivo.

6. Caja de control y control de mano



7. Monitor Smart y control de mano



Uso destinado:

El monitor inteligente, Hoyer Smart Monitor, es un sistema de control para los elevadores Hoyer Mobile. El monitor inteligente almacena información útil de elevación sobre el elevador, la cual queda disponible para consultar cuando sea necesario. Esta información de elevación incluye:

- Cantidad de ciclos de elevaciones de pacientes
- Total de trabajo ejecutado por el actuador
- Cantidad de sobrecargas de elevación (intentos de elevación por encima de la carga de trabajo máxima permitida)
- Cantidad de días de uso

El monitor inteligente Hoyer incorpora un microprocesador que permite leer la información de elevación a través de la pantalla LCD integrada.

Características:

- Recopilación de datos en el panel de control con datos visualizados en la pantalla LCD
- Contador de trabajo
- Contador de ciclos inteligente
- Información de sobrecarga
- Indicador de nivel de carga de las baterías de tres pasos




Beneficios:

- Mayor seguridad tanto para el paciente como para el proveedor de cuidados
- Información de elevación precisa con solo tocar un botón.
- Vida útil del producto optimizada
- Facilidad para realizar tareas de mantenimiento tanto para ingenieros como para los técnicos
- Identificación de errores rápida y fácil

Pantalla LCD:

El monitor Smart Hoyer incorpora un microprocesador que permite emitir la lectura de los datos de mantenimiento a través de la pantalla LCD integrada. Es posible emitir la lectura de los totales de los ciclos de elevación, los totales de trabajos realizados, de sobrecargas y la cantidad de días desde el último mantenimiento, datos que pueden utilizarse para evaluar el estado de el actuador de elevación de manera fácil y rápida.

Puede acceder a esta información pulsando durante medio segundo el botón "UP" (ARRIBA) del control de mano del usuario o el botón redundante "UP" (ARRIBA) del Monitor inteligente.

	12034	— Total de ciclos de elevación
A*S	1257000	— Total de trabajo ejecutado (Amps * Segundos)
	7	— Cantidad de sobrecargas
	90/ —	— Cantidad de días de uso

Información sobre mantenimiento:

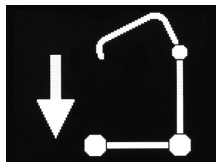


Si el elevador se detiene debido a una sobrecarga (si intenta levantar más peso de la carga máxima segura) aparecerá el símbolo de sobrecarga en la pantalla LCD y el elevador dejará de funcionar hasta que haya eliminado la carga adicional (por encima de la carga máxima segura).

ADVERTENCIA

Si la pantalla LCD del monitor inteligente hubiese registrado una sobrecarga, Joerns Healthcare recomienda que **TODAS** las tareas diarias de control se lleven a cabo en el elevador antes de su utilización (para obtener una lista de controles diarios, consulte el manual de usuario del elevador). Joerns Healthcare también recomienda que se ponga en contacto con su agente autorizado de servicios Hoyer para obtener más orientación.

Controles redundantes integrados:



Los controles redundantes integrados permiten que el elevador suba o baje en caso de emergencia.

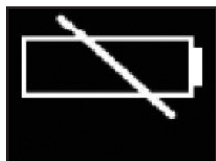
Información sobre la batería:



Si aparece el icono de la batería completa, significa que la batería está completamente cargada y lista para usar.



Si aparece el icono de la batería a la mitad, significa que necesita cargar la batería.



Si aparece el icono de la batería vacía, significa que la batería carece de capacidad y debe cargarla de inmediato.

⚠ ADVERTENCIA

A fin de evitar posibles daños permanentes en la batería, debe colocar la batería a cargar en cuanto la pantalla indique el símbolo de la batería a la mitad.

8. Instrucciones de funcionamiento

1. Ajuste de las patas

Las patas del Hoyer Journey son ajustables en cuanto a su anchura. Las patas pueden abrirse para permitir el acceso alrededor de sillas o de sillas de ruedas. Para transferir y para pasar por pasillos estrechos, las patas del elevador deben estar en posición cerrada. Para realizar el ajuste, el pedal de ajuste de las patas, ubicado en la parte posterior de la base, se comprime hacia la derecha (ABAJO) para abrir las patas hacia afuera, y hacia la izquierda (ARRIBA) para cerrarlas. El ajuste se puede llevar a cabo con el paciente en el elevador, pero ya sea para carga o descarga, debe realizar el ajuste con el elevador en movimiento.

2. Ruedas y frenos

El elevador tiene dos ruedas con frenos, que se pueden aplicar para dejarlo aparcado. Cuando se realice la elevación, las ruedas deben dejarse libres y los frenos sin aplicar. De esta forma, el elevador podrá mover el centro de gravedad conforme se realiza la elevación. Si se aplican los frenos, será el paciente el que se mueva hacia el centro de gravedad y esto puede ser desconcertante e incómodo.

3. Elevación y descenso del brazo principal

El movimiento del brazo principal se lleva a cabo mediante un potente actuador eléctrico controlado por una unidad de control de mano sencilla. El control de mano tiene dos botones, con flechas direccionales ARRIBA y ABAJO ↑↓. El actuador se detiene automáticamente en el límite del desplazamiento en ambas direcciones. El control de mano se enchufa en un enchufe en la base del cuadro de control.

4. Parada de emergencia

El botón de parada de emergencia rojo está situado en la parte delantera del cuadro de control y se activa pulsándolo. Al pulsarlo se interrumpe la alimentación eléctrica al elevador y sólo se puede desarmar girando el botón en sentido contrario a las agujas del reloj y soltándolo.

5. Controles redundantes

Caja de control estándar:

La caja de control estándar cuenta con botones de elevación y descenso de emergencia ubicados debajo del botón de detención de emergencia. Se pueden operar insertando la punta de un bolígrafo en los botones resaltados como "bajar/subir". Esto elevará o descenderá el brazo, en caso de producirse un fallo en el control de mano.

Monitor Smart:

El monitor inteligente cuenta con botones de elevación y descenso en el panel de control. Estos están ubicados debajo del botón de parada de emergencia y se pueden utilizar para bajar o subir al paciente si se produjese un fallo en el control de mano. Estos botones tienen el mismo aspecto y función que el dispositivo de mano.

6. Descenso mecánico de emergencia

En caso de producirse un fallo eléctrico total, el actuador eléctrico contiene un dispositivo de descenso mecánico activado con muelles (CUBO ROJO). Este dispositivo solo podrá activarse cuando el elevador tenga carga. Para activar el dispositivo, tiene que hacerlo girar a mano y soltarlo. Esto producirá un descenso lento. Repita el proceso hasta haber descendido al paciente de manera segura.

NOTA: La carga MÍNIMA necesaria para bajar el elevador de manera manual utilizando la función mecánica de descenso de emergencia equivale a 30 kg.

7. Baterías

Las baterías están protegidas ante descargas fuertes por una ALARMA DE VOLTAJE BAJO. Esta alarma emitirá un sonido cuando las baterías necesiten recargarse y se esté manejando el control de mano. No sonará si el control de mano no se está manejando. **NO IGNORE ESTA ALARMA DE ADVERTENCIA.** Complete la operación de elevación y ponga la batería a cargar (vea las instrucciones de carga). El nivel de carga de la batería se visualiza en el indicador en el cuadro de control.

⚠ PRECAUCIÓN!

La batería, el cargador, el control de mano, el cuadro de control y el actuador sólo deben ser abiertos por personal autorizado. (Comuníquese con su distribuidor para obtener información sobre garantía y reparaciones).

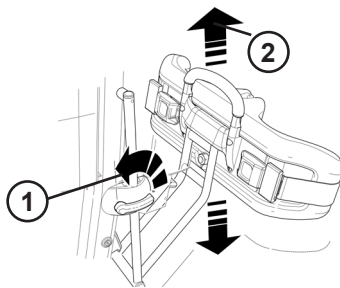
8. Eslingas

El Hoyer Journey es adecuado para pacientes en posición SENTADA. Las eslingas adecuadas para este dispositivo son las siguientes:

- Eslinga Hoyer Transport
- Eslinga Hoyer Standing

9. Ajuste del almohadillado para rodillas

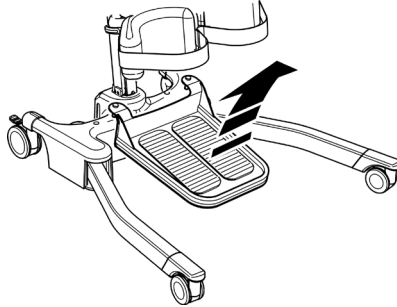
El Hoyer Journey tiene un almohadillado ajustable para las rodillas. Por razones de seguridad y ergonomía, se recomienda que se lleve a cabo cualquier operación sosteniendo la parte superior de la empuñadura de ajuste. El rango de desplazamiento es de 10,2 pulgadas (260 mm). El ajuste se lleva a cabo siguiendo dos pasos sencillos. PASO 1 lleve la palanca de ajuste del almohadillado para rodillas hacia la izquierda para desbloquearlo. PASO 2 lleve el asa de empuje hacia abajo o hacia arriba para escoger la posición correcta. Una vez hallada la posición deseada, simplemente lleve la palanca de ajuste del almohadillado para rodillas hacia la derecha para bloquearlo, NOTA: la palanca puede operarse desde cualquiera de los dos lados del elevador.



10. Plataforma desmontable para los pies

El Hoyer Journey tiene una plataforma para los pies. Para extraer la plataforma para los pies, póngase en la parte delantera del Hoyer Journey y levante la plataforma para los pies desde la parte central del conjunto.

NOTA: Tenga cuidado al cambiar la plataforma de pies de la posición más baja, ya que es pesada. Utilice siempre técnicas de transferencia y manipulación apropiadas.



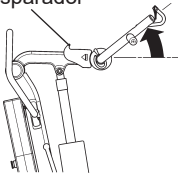
⚠ ADVERTENCIA

Utilice siempre la plataforma para pies cuando sienta o para a un paciente. Una vez que el paciente está totalmente incorporado, puede retirar la plataforma para pies a fin de realizar ejercicios de caminata.

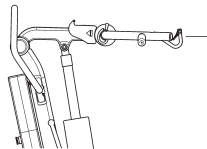
11. Cuernos de vaca ajustables

El Hoyer Journey cuenta con un mecanismo ajustable de “cuernos de vaca” o barra extensora. Esto permite al proveedor de cuidados ubicar los “cuernos de vaca” en una posición cómoda para adaptarse al entorno del paciente. Los cuernos de vaca tienen tres posiciones. La posición 1 es más adecuada para un paciente de tamaño grande o alto; la posición 2 es más adecuada para un paciente de tamaño mediano o promedio; y la posición 3 es más adecuada para un paciente de tamaño pequeño, pediátrico o para levantar a un paciente de una silla baja. (Tenga en cuenta que éstas son pautas solamente, por lo tanto puede que deba adaptar la posición para proporcionar comodidad al paciente). Para escoger una de las tres posiciones de los “cuernos de vaca”, simplemente tire del gatillo hacia la parte posterior del elevador mientras sostiene los “cuernos de vaca”. A continuación, escoja la posición deseada, tal como indica la calcomanía de posiciones, y suelte el gatillo para fijarla. Los “cuernos de vaca” presentan tres alternativas de posiciones para elevar al paciente y una más para adoptar la posición de almacenamiento o plegado.

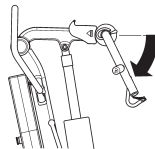
Disparador



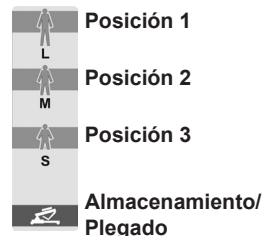
Posición 1



Posición 2



Posición 3



Posiciones de los “cuernos de vaca” para elevar al paciente

9. Precauciones de seguridad

Por favor, lea y siga las precauciones de seguridad que figuran más abajo. El funcionamiento y uso del elevador para pacientes Hoyer es sencillo y fácil de comprender. Siguiendo estas precauciones básicas de seguridad, las operaciones de elevación serán fáciles y no causarán problemas.

LEA Y COMPRENDA EL MANUAL DE INSTRUCCIONES DEL USUARIO ANTES DE UTILIZAR SU ELEVADOR HOYER JOURNEY

ADVERTENCIA: Información de seguridad importante para situaciones peligrosas que podrían causar lesiones graves.

PRECAUCIÓN: Información para prevenir daños en el producto.

NOTA: La información a la que se debe prestar especial atención.

ADVERTENCIA

- **NO levante a ningún paciente a menos que haya recibido la capacitación correcta y pueda hacerlo de manera eficiente.**
- **SIEMPRE siga la LISTA DE VERIFICACIONES DIARIAS situada hacia el final de este manual antes de usar el elevador.**
- **NO exceda la capacidad estipulada para carga de trabajo segura del elevador.**
- **SIEMPRE planee las operaciones de elevación antes de comenzar.**
- **Familiarícese SIEMPRE con los mandos y los dispositivos de seguridad de su grúa antes de iniciar el proceso de izado del paciente.**
- **NO utilice un arnés, a no ser que esté recomendado para su uso con el elevador.**
- **Compruebe SIEMPRE que el arnés, su tamaño y características son los adecuados para el paciente.**
- **No utilice NUNCA un arnés desgastado o deteriorado.**
- **Ajuste SIEMPRE el arnés siguiendo sus instrucciones de uso (instrucciones del usuario).**
- **Compruebe SIEMPRE que la carga útil de seguridad de la grúa se ajusta al peso del paciente.**
- **Efectúe SIEMPRE las operaciones de izado siguiendo las instrucciones detalladas en este manual.**
- **No desconecte NUNCA un control o dispositivo de seguridad porque parecen acciones más fáciles para operar el elevador.**
- **SIEMPRE trabe las ruedas cuando eleve un paciente desde el suelo.**
- **NO intente desplazar el elevador empujando el mástil, el brazo o al paciente.**
- **SIEMPRE maneje el elevador utilizando el asa de empuje suministrada. También se incluye una almohadilla de empuje para pies.**

- **NO empuje el elevador cargado con el paciente a una velocidad que exceda un ritmo de paso lento de caminata (no más de 0,7 m/seg. o 2,6 pies/seg.)**
- **Utilice SIEMPRE el elevador sobre terreno llano y liso. En especial, si está cargada con el paciente.**
- **NO intente superar con el elevador un obstáculo del piso.**
- **No fuerce NUNCA un control o dispositivo de seguridad. Todos los controles son fáciles de utilizar y no requieren de excesiva fuerza física para su accionamiento.**
- **NO deje nunca el elevador con el paciente en una superficie inclinada.**
- **NO utilice el elevador eléctrico en la ducha.**
- **NO utilice ni guarde un elevador en un ambiente con humedad o corrosión, como salas de ducha, baño o piscina.**
- **NO cargue la batería en un cuarto de baño o ducha.**
- **NO coloque o almacene la batería bajo la luz directa del sol o cerca de una fuente de calor.**
- **SU elevador es un dispositivo para elevar y trasladar pacientes. NO lo utilice, ni permita que lo utilicen, para otro fin que no sea el de elevación y traslado de pacientes.**
- **NO golpee el elevador cuando baje escalones, ya sea que estuviese cargado o no.**
- **NO intente utilizar un elevador cargado en una pendiente que exceda 1:12 (aproximadamente 5 grados).**
- **NO intente subir una pendiente sin ayuda de una segunda persona.**
- **NO utilice el elevador sobre una moqueta alta.**
- **NUNCA utilice el elevador con piezas o ajustes flojos o faltantes.**
- **REVISE todas etiquetas de precauciones del elevador. Adquiera y sustituya todas las etiquetas que no se pueden leer fácilmente.**
- **Si ocurre un incidente durante el uso de este producto, comuníquese con Joerns para dar parte del incidente al 800-826-0270. Siga las pautas para la presentación de informes que figuran en 21 CFR 803, a menos que los requisitos de las instalaciones o el estado dispongan lo contrario.**

10. Instrucciones para la carga

Cuando la central eléctrica necesita recarga, se la extrae del elevador y se conecta a una unidad externa de carga.

Joerns Healthcare recomienda disponer de otra central eléctrica, de manera que una esté recargada continuamente.

1. Extraiga la central eléctrica del elevador. La central está sujeta por un simple pestillo en la parte superior de la misma. Levante el pestillo y la central eléctrica quedará liberada.
2. Conecte la central eléctrica con la unidad de carga. La colocación y sujeción de la central eléctrica con el cargador es la misma que para el elevador.
3. Conecte el enchufe del cargador a una toma de electricidad y encienda la fuente de energía.
4. La acción de carga es automática y llenará totalmente las baterías en un período de entre cuatro (4) horas. **Nota:** Incluso si deja el cargador conectado durante períodos extensos no permitirá que se produzca una sobrecarga en las baterías.

- a) Luz verde: Indica que el suministro eléctrico está encendido.
- b) Luz amarilla: Indica que la batería se está cargando.
- c) Las baterías estarán totalmente cargadas cuando se apague la luz amarilla.

Nota: Se recomienda que cargue la batería no bien reciba el producto.

5. Para hacer funcionar de nuevo el elevador, APAGUE la red de suministro eléctrico y desconecte el cargador de la central eléctrica. Monte la central eléctrica en el elevador y compruebe que el pestillo que sujeta la caja en su sitio esté perfectamente engranado. Al quedar perfectamente engranado, oirá un "clic". Si bien la carga de los elevadores eléctricos Hoyer es simple sencilla, es importante que siga las instrucciones de carga con precaución. Preste especial atención a los puntos siguientes, que le ayudarán a evitar problemas con las baterías descargadas.

ADVERTENCIA

- La batería, el cargador, el control de mano y la caja de control **NO** deben ser abiertos por personal no autorizado. (Comuníquese con el distribuidor por reparaciones y reclamos de la garantía).
- **NO** toque las terminales de la batería ni el cargador.
- **MANTENGA** las baterías completamente cargadas. Ponga la batería a cargar siempre que no esté utilizando el dispositivo. Si le resultase más práctico, póngala a cargar durante la noche. El cargador no permitirá que las baterías se sobrecarguen.
- **NUNCA** permita que las baterías se gasten por completo. No bien suene la alarma de advertencia, complete la operación de elevación y ponga a cargar la batería.
- A fin de evitar posibles daños permanentes en la batería, debe colocar la batería a cargar en cuanto la pantalla indique el símbolo de la batería a la mitad.
- **NUNCA** almacene la batería durante largos períodos de tiempo sin realizar cargas periódicas durante el período de desuso.
- **SIEMPRE** compruebe que la toma del cargador a la red de suministro eléctrico esté apagada antes de conectar o desconectar la batería.

- **NUNCA** deje la batería conectada con la toma del cargador a la red de suministro eléctrico apagada.
- **NO** deje el cargador encendido con la batería desconectada.
- **NO** use el elevador mientras carga la batería.
- **COMPRUEBE** que el elevador no se esté cargando antes de desplazarlo, ya que podría dañar la conexión eléctrica.
- **NUNCA** desconecte la toma del cargador tirando del cable.
- **PROCURE** no tropezar con el cable del cargador.
- **NO** cargue el elevador eléctrico en el cuarto de baño.

11. Plan de mantenimiento y lista de comprobación diaria

Todos los productos Hoyer requieren un mantenimiento mínimo; sin embargo, es necesario llevar a cabo algunas comprobaciones y procedimientos de seguridad. Las verificaciones diarias, junto con una inspección de mantenimiento y prueba anual, permiten la conservación del elevador en condiciones óptimas de funcionamiento y seguridad. Si lo pide, le enviaremos una lista de piezas de repuesto.

LISTA DE COMPROBACIÓN DIARIA: Joerns Healthcare recomienda encarecidamente realizar las siguientes comprobaciones de manera diaria y antes de utilizar el elevador.

- **ASEGÚRESE** de que el elevador se mueve libremente sobre sus ruedas.
- **EXAMINE** la barra extensora (cuernos de vaca) para comprobar que está firmemente sujeta al brazo principal.
- **EXAMINE** los ganchos de la eslinga y los clips de sujeción en la barra extensora y en el brazo principal para ver si tienen un desgaste excesivo.
- **ASEGÚRESE** de que las patas se abren y cierran correctamente.
- **OPERE** el control de mano para confirmar que el brazo principal sube y baja satisfactoriamente.
- **CONTROLE** el funcionamiento del botón de freno de emergencia.
- **EXAMINE** las eslingas para ver si están deshilachadas o tienen otros daños. **NO** utilice una eslinga si está dañada.
- **CONFIRME** que el elevador no está emitiendo una alarma de batería baja cuando se maneja el control de mano. Si la alarma suena, **NO** utilice el elevador y póngalo a cargar inmediatamente.

MANTENIMIENTO

Joerns Healthcare recomienda llevar a cabo operaciones regulares de inspección y mantenimiento. Consulte el cuadro en la página contigua.

***ESTAS COMPROBACIONES DEBEN INCLUIR:**

	Inicialmente	Antes del uso	Mantenimiento anual
✓ = Recomendado			
1. BRAZO PRINCIPAL: Compruebe la sujeción del brazo principal al mástil. Asegúrese de que sólo exista un mínimo movimiento lateral del brazo principal y de que el brazo principal esté libre para girar en su rodamiento.	✓	✓	✓
2. PUNTOS DE SUJECIÓN DE ESLINGA: Compruebe que los ganchos y los broches de sujeción de la eslinga en la barra extensora y brazo principal no presenten signos de desgaste.	✓	✓	✓
3. MÁSTIL: Verifique el funcionamiento del dispositivo de bloqueo del mástil. Asegúrese de que el mástil encaja completamente en el alojamiento.	✓	✓	✓
4. CUERNOS DE VACA: Compruebe que los “cuernos de vaca” estén colocados en la posición correcta.	✓	✓	
5. ACTUADOR: El actuador no requiere más mantenimiento que comprobar que funciona correctamente y escuchar si hay ruidos inusuales.	✓		✓
6. ALMOHADILLADO PARA RODILLAS: Compruebe que la correa del almohadillado para rodillas esté ajustada correctamente.	✓	✓	
7. CAJA DE CONTROL / MONITOR SMART: Compruebe el buen funcionamiento del botón de parada de emergencia. Compruebe que la toma del control de mano esté en perfecto estado. Verifique que el control de mano funciona correctamente. Verifique los controles redundantes y confirme que funcionan correctamente.	✓	✓	✓
8. BATERÍAS: Las baterías están alojadas en la unidad de alimentación eléctrica y no requieren ningún mantenimiento excepto su carga regular tal y como se detalla en las instrucciones de carga. Compruebe que las conexiones están limpias.			✓
9. BATERÍAS (Carga): Confirme que el elevador no emite una alarma de baja carga de baterías cuando hace funcionar el control de mano. Si suena la alarma, no utilice el elevador y ponga a cargar la batería inmediatamente.	✓	✓	
10. AJUSTE DE LAS PATAS: Compruebe que las patas funcionan en toda su extensión (hacia dentro / hacia fuera).	✓		✓
11. RUEDAS: Compruebe que todas las ruedas están firmemente sujetas a las patas. Verifique la libre rotación de las ruedas y de sus pivotes.	✓	✓	✓
12. LIMPIEZA: Limpie con jabón corriente y agua, y/o con cualquier desinfectante para superficies duras. Deben evitarse limpiadores químicos o abrasivos, ya que pueden dañar el acabado de la superficie del elevador. No moje ninguna pieza eléctrica.		✓	✓
13. BASE Y RUEDAS: Asegúrese de que la base está uniforme y nivelada (las cuatro ruedas en contacto con el suelo).	✓	✓	✓
14. ESLINGAS: Vea si están desgastadas o deshilachadas.	✓	✓	✓
15. LUBRICACIÓN: Lubrique las bisagras de pivote con aceite de silicona, incluyendo las conexiones del brazo principal, las piezas de los pedales, la bisagra de la barra extensora (hágalo sólo si es necesario).			✓
16. Conjunto de mano: Asegúrese de que está bien enchufado al controlador.	✓	✓	
17. PIEZAS DE FIJACIÓN: Compruebe que todas las tuercas, pernos, tornillos y piezas de sujeción no presenten signos de desgaste excesivo ni estén ajustados en exceso. De ser necesario, reemplácelos.		✓	✓

12. Especificaciones técnicas

Carga de trabajo segura	341 lbs	155 kgs
Longitud total máxima	39,4 pulgadas	1000 mm
Longitud total mínima	36,8 pulgadas	935 mm
Altura total máxima.....	63,0 pulgadas	1600 mm
Altura total mínima	44,5 pulgadas	1130 mm
Altura máxima de la barra de extensión	60,2 pulgadas	1530 mm
Altura mínima de la barra de extensión	28,4 pulgadas	720 mm
Radio de giro	45,1 pulgadas	1145 mm
Patas abiertas - Anchura externa	38,2 pulgadas	970 mm
Patas abiertas - Anchura interna.....	34,5 pulgadas	875 mm
Patas cerradas - Anchura externa	27,0 pulgadas	685 mm
Patas cerradas - Anchura interna	22,2 pulgadas	590 mm
Punto más ancho (entre abrazaderas de soporte)	26,8 pulgadas	680 mm
Altura total de las patas.....	4,3 pulgadas	110 mm
Distancia al suelo	1,2 pulgadas	30 mm
Par de ruedas delanteras	3,0 pulgadas	75 mm
Ruedas traseras con freno	4,0 pulgadas	100 mm

Pesos

Mástil, base y conjunto de brazo principal	82,4 lbs	37,4 kgs
Unidad de batería.....	6,2 lbs	2,8 kg
Unidad de alimentación	88,6 lbs	40,2 kgs
Conjunto de la base (sin incluir batería)	30,2 lbs	13,7 kgs
Mástil y brazo principal (sin incluir batería).....	42,3 lbs	19,2 kgs
Plataforma para pies	9,9 lbs	4,5 kgs

NOTA: Para todas las dimensiones se aplican tolerancias de fabricación.

ESPECIFICACIONES ELÉCTRICAS:

BATERÍAS.....	24 voltios, tipo ácido de plomo selladas recargables
CAPACIDAD DE LA BATERÍA	3,2 amperios hora
ENTRADA NOMINAL DEL CARGADOR.....	100 - 240 V CA/ 50/60 Hz
SALIDA MEDIDA DEL CARGADOR.....	29,5 V CC, Máx. 19 W

PROTECCIÓN FRENTE A DESCARGAS ELÉCTRICAS

CARGADOR.....	CLASE II (EN 60601-1)
ELEVADOR.....	FUENTE DE ALIMENTACIÓN INTERNA

GRADO DE PROTECCIÓN FRENTE A DESCARGAS

CARGADOR.....	TIPO B (EN 60601-1)
ELEVADOR.....	TIPO B (EN 60601-1)

CONDICIONES AMBIENTALES

Al aire libre, la funcionalidad y seguridad especificadas pueden verse comprometidas.

RANGO DE TEMPERATURA Y HUMEDAD

TEMPERATURA.....	>+5°C a <+40°C
HUMEDAD RELATIVA.....	20% a 90% a 30°C (no condensada)

ALMACENAMIENTO

TEMPERATURA.....	>-10°C a <+50°C
HUMEDAD RELATIVA.....	20% a 90% a 30°C (no condensada)
PRESIÓN ATMOSFÉRICA.....	700 - 1060 Hpa

CLASIFICACIONES IP

CAJA DE CONTROL.....	IPX4
ACTUADOR	IPX4
CARGADOR EXTERNO	IPX5
BATERÍA.....	IPX5
CONTROL DE MANO	IPX5

CICLOS DE TRABAJO

ACTUADOR	10% (2 min. / 18 min.)
CARGADOR.....	4 horas (aprox.)

ACÚSTICA

NIVEL DE POTENCIA DE SONIDO (ESCALA PONDERACIÓN A)	64 dB
--	-------

EXPLICACIÓN DE LOS SÍMBOLOS:

Los signos enunciados a continuación se utilizan en el cargador, la unidad de control y la batería:



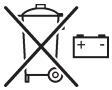
Equipo de tipo B, según EN 60601-1



Equipo de clase 2



El cargador y la unidad de control no deben desecharse junto con los residuos domésticos



La batería no debe desecharse junto con los residuos domésticos



Los electrónicos no deben desecharse junto con los residuos domésticos



Para uso bajo techo solamente



ATENCIÓN, consulte los documentos adjuntos.

Número de registro de producción de RAEE WEE/GG0464RZ

13. Garantía

Esta garantía sólo cubre los elevadores HoyerPro. Esta garantía no cubre, ni se limita a, los siguientes elevadores: Advance-H, HML400, HPL600WB, HPL600WBSC, HPL402, C-HLA (y sus variaciones).

Los elevadores HoyerPro están garantizados por dos años a partir de la fecha de entrega por defectos de materiales y fabricación, siempre que se compruebe el uso y mantenimiento normal de los mismos. Esta garantía incluye todos los componentes mecánicos y eléctricos.

Los componentes mecánicos y estructurales de aluminio de nuestros elevadores están garantizados por un período de cinco (5) años desde la fecha de entrega.

La garantía quedará anulada si el elevador resultara dañado a consecuencia del uso en condiciones ambientales inadecuadas, o si el mantenimiento del producto no se realizara según las instrucciones del manual y las de mantenimiento. Asimismo, la garantía quedará anulada ante cualquier alteración, modificación o reparación que no sea efectuada o autorizada por escrito por Joerns Healthcare.

Piezas:

Los elevadores HoyerPro contienen varias piezas que sufren desgaste debido al uso cotidiano del producto. Dichas piezas, como las baterías CC y las ruedas delanteras, no están cubiertas bajo la garantía de dos años, sino que están cubiertas durante 90 días tras la fecha de entrega.

Joerns Healthcare tiene la obligación, bajo esta garantía, de proporcionar piezas de repuesto, realizar reemplazos o tareas de mantenimiento, la opción que consideremos más apropiada, en cualquier producto que Joerns Healthcare detecte como defectuoso.

Las piezas reemplazadas durante el período de garantía están cubiertas por los términos de esta garantía hasta el vencimiento del período de garantía original del producto.

Si Joerns Healthcare así lo solicitara, las piezas deberán ser entregadas o devueltas con fines de verificación, y los costes correrán por cuenta del cliente. Cualquier crédito será emitido solamente después de realizada la verificación.

Mantenimiento:

Nuestro Departamento de Mantenimiento local, con la asistencia del Departamento de Mantenimiento de Productos de Joerns Healthcare, recibe y gestiona la mayor parte de los servicios de mantenimiento.

La mayoría de las piezas solicitadas serán despachadas por vía aérea al día siguiente de efectuado el pedido, y los costes correrán por cuenta del cliente.

De ser necesaria la presencia de un técnico, Joerns Healthcare proporcionará uno a nuestra sola discreción. Solamente el Departamento de Mantenimiento de productos de Joerns Healthcare puede enviar técnicos autorizados.

Esta garantía se extiende al comprador original del equipo.

