



SRE-3000 Elan
STRAIGHT RAIL STAIRLIFT

Operator's Manual

Retail Customers

Please contact your Bruno dealer with any questions or service concerns, using the contact information shown below:

(Dealer: Place contact information below.)

Dealer Name:

Address:

Telephone No.:

REV. 09-24-2012

PRODUCT REGISTRATION FORM



Product Registration Form Please print in CAPITAL letters.

Online registration available at <http://www.bruno.com/warranty.html>

Please be assured that Bruno **does not** share or sell the information you provide.

* = required field

*First Name _____, M.I. _____

*Last Name _____

*Street Address _____ Apt. _____

*City _____ State/Province _____

*Zip/Postal Code _____

Email Address _____

Telephone No. _____

Date of Purchase (mm/dd/yy) _____

Model No. _____

Serial No. _____

Please rate your satisfaction with your Bruno dealer:

excellent good average poor

Please rate your satisfaction with your Bruno product:

excellent good average poor

Bruno reserves the right to use information indicated on this form in its online, video, audio and printed materials. Names will be abbreviated to ensure the privacy and anonymity of the individual.

©2007,2005 Bruno Independent Living Aids, Inc.®

Rev. 04-01-07
P/N PROD REG STD

Bruno is pleased to provide you with this mobility-enhancing product.

The Product Registration Form is shipped in a plastic bag with this manual. It is very important that you fill out and return this form at your earliest convenience so that we may complete the warranty registration process for your unit.

The **serial number** is found on labels affixed to the manual, as well as on the unit itself.

Serial and model numbers must be provided when filing a warranty claim, requesting service or ordering parts. We encourage you to keep this information readily available at all times.

Please Note: The warranty for the SRE-3000 Straight Rail Stairlift is **rendered null and void** if the unit is installed by anyone other than an authorized Bruno dealer.

Best wishes from the Bruno Team.

SRE-3000 Operator 09-24-2012

Table of Contents

Regulatory Information and Specifications	4
Safety	5-6
Parts of the SRE-3000	7
Circuit Breaker	8
Seating	9
Operation	10-11
Charging	12
Battery Charger.	13
Maintenance/Transmitter Battery Replacement	14
Troubleshooting.	15-16
Vacation and Long-Term Storage	17
Warranty	18-19

REGULATORY LISTINGS and SPECIFICATIONS



Intertek
4004689



Intertek
4004689-CHI-12-0200-01A



This lift is intended to be installed in accordance with the current edition of:

- EN 81-40:2008 Safety rules for the construction and installation of lifts - Special lifts for the transport of persons and goods - Part 40: Stairlifts and inclined lifting platforms intended for persons with impaired mobility
- ASME A18.1:2011 Safety Standard for Platform Lifts and Stairway Chairlifts
- CAN/CSA-B613-00 (R2005) - Private Residence Lifts for Persons With Physical Disabilities
- ASME A17.5/CSA B44.1 - 2011 Elevator and Escalator Electrical Equipment
- NFPA 70: National Electrical Code®
- CSA C22.1 Canadian Electrical Code

Verify applicable local codes with the appropriate regulatory authorities.

SPECIFICATIONS

- Weight Capacity:* 300 lbs. (136 kg)
- Control:* constant pressure (armrest and two remotes)
- Maximum Incline:* 45 degrees, specials to 52 degrees
- Seat Swivel:* 0, 67 and 90 degrees at top landing only
- Battery Charger:* 120VAC, 60 Hz, 0.35A input; 24VDC, 1A output, continuous monitoring

FOR YOUR SAFETY

- Read and understand the operating instructions, and all safety precautions prior to using the SRE-3000.
- Be sure stairs are clear of objects before operating the stairway elevator.
- Always be aware of the surface onto which you are stepping as you get on and off the stairway elevator.
- Avoid carrying items with you on the stairway elevator which could hinder movement of the elevator up and down the stairs.
- Do not wear LOOSE clothing that could interfere with elevator movement.
- Fasten your positioning belt before operating the stairway elevator.
- Make sure the seat is locked in place before operating the stairway elevator, and before attempting to get on/off the seat.
- Make sure the armrests are folded down. The stairway elevator will not operate if the armrests are folded up.
- **NON-AMBULATORY USERS:** Bruno recommends carrying a cellular or cordless telephone or an emergency communication device when riding the stairway elevator while alone in the house.

FOR YOUR SAFETY

Each stairway elevator is designed to descend the stairway at a slightly slower speed than is the case when travelling UP.

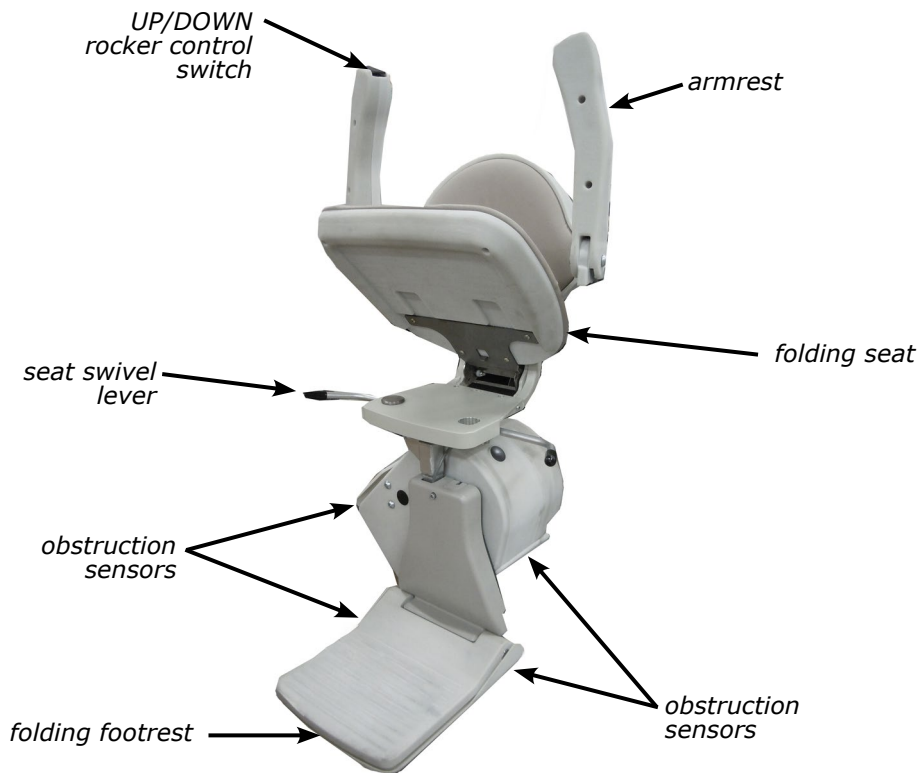
The footrest and carriage are equipped with *obstruction sensors* which stop the carriage if an obstacle is encountered on the stairs.

If this should occur, press the UP/DOWN rocker control switch (on the armrest) in the opposite direction to run the carriage away from the obstruction. Clear the obstacle from the stairway or rail then resume travel in the desired direction.

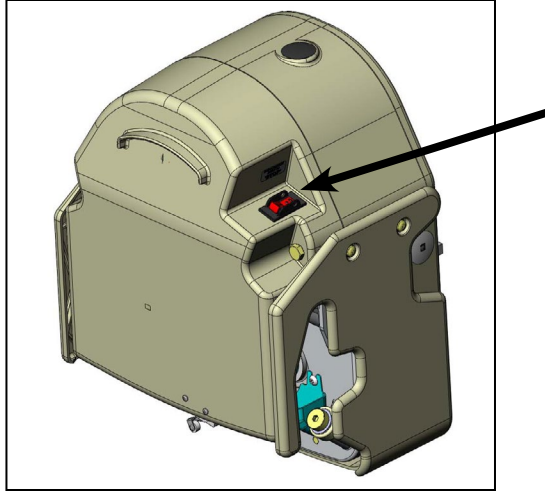
Your SRE-3000 is battery powered and will continue to operate for some time during a power outage. The length of operation will depend on the battery condition, the length of the stairs and the weight of the rider.

Only in the event of a prolonged power outage (more than one hour) will it be necessary to turn the power off (circuit breaker switch on the carriage).

SRE-3000



CIRCUIT BREAKER



The SRE-3000 includes a circuit breaker with built-in ON/OFF switch located on the carriage.

The circuit breaker protects the battery, controller and motor circuits in the stairway elevator carriage.

It is unlikely that this circuit breaker will trip during normal use. However, if the elevator becomes inoperative, check the circuit breaker as a first troubleshooting step. Reset it, if necessary.

Possible causes of circuit breaker tripping:

- foreign object jamming the rail or gear rack;
- exceeding the rated weight capacity of the stairway elevator.

SEATING



The seat assembly on the SRE-3000 is designed to swivel and to lock at 0, 67 and 90 degrees.

Pushing down on either side of the swivel lever allows you to swivel the seat to a convenient position for transferring into or out of the seat.

Once you release the swivel lever, the seat will lock at the next available position.

To lower the seat assembly from a folded position to the riding position, simply push down on the seat.

OPERATION

The SRE-3000 includes a "**soft-start**" feature which prevents the unit from moving abruptly the instant the UP/DOWN switch is pressed.

Press and hold the switch for a moment to begin the gentle acceleration of the stairway elevator to operating speed.

Depressing and holding the rocker switch will cause the carriage to move until the carriage stops automatically at the upper or lower end of the stair rail, or until the switch is released.

1. Turn the keyswitch to ON.
2. Position yourself in the seat.
3. Fasten the positioning belt.
4. Depress and hold the seat swivel lever.
5. Rotate the seat so that you are at right angles to the rail (with your back to the stairway wall).
6. Release the seat swivel lever to secure the seat in that position.
A safety switch prevents operation of the SRE-3000 unless the seat is locked in position at right angles to the rail (the "riding" position).
7. Lower both armrests completely.

NOTE: If the armrests are not completely lowered, a safety switch disables the rocker switch and the stairway elevator will not operate.

OPERATION

Two (2) remote call / send transmitters enable you to move the carriage to or from either end of the stair rail.

8. Position both feet securely on the footrest and place your arms on the armrests.
9. Press and hold the rocker control switch (located on the front edge of one of the armrests) to travel UP / DOWN the rail.
10. Once you have reached the top or bottom landing, release the rocker switch.
11. Depress and hold the seat swivel lever as you rotate to the position for transferring from the seat.
NOTE: The seat will only swivel at the top landing.
12. Release the seat swivel lever and allow the seat to lock in this position.
13. Unbuckle the positioning belt and carefully exit the seat.

CHARGING

Keep the batteries charged to ensure optimal operation of your SRE-3000.

The batteries are charging whenever the carriage is parked anywhere on the rail.

Failure to keep the batteries charged, or allowing them to fully discharge, will significantly shorten the life of the batteries.

Occasionally check the battery charger LED to make sure the stairway elevator is being charged correctly.

BATTERY CHARGER LED'S

<i>LED COLOR/ FUNCTION</i>	<i>STATUS/PROBLEM</i>	<i>REMEDY</i>
red	AC power on	Make sure the charger is plugged into a live outlet.
red (flashing)	defective batteries in unit	Contact your authorized Bruno dealer for service.
yellow	charging	status OK
green	battery fully charged/float mode charging	status OK

MAINTENANCE

Your SRE-3000 is designed to provide many years of reliable service with minimal maintenance.

For best service life:

- Keep the rail clean and free of debris.
- Keep the battery charger plugged into a live outlet at all times.
- ***At least once a year***, have the elevator examined, cleaned and lubricated by an authorized Bruno service technician. A complete list of annual maintenance operations appears in the installation manual available from your Bruno dealer.

Seat Upholstery Cleaning

All seating and operator contact areas are fabricated of common materials without a history of causing operator reactions or irritations. The SRE-3000 has been designed assuming that the operator will be wearing clothing covering the torso and footwear. If the user has special sensitivities, normal clothing precautions are suggested.

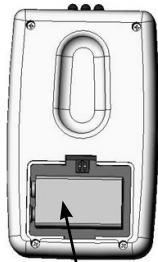
For day-to-day cleaning, use a mild soap and water solution and a soft, lint-free cloth. Do not use vinyl conditioners or protectants.

For more difficult stains, use an all-purpose cleaner such as Formula 409® or Fantastik® and a damp, soft cloth or sponge. Rinse with clean water and dry with a lint-free cloth or towel.

Transmitter Battery Replacement

To replace the battery in the call/send transmitters, remove the access panel on the back of the transmitter. One 9V battery required.

Change batteries annually.



9V battery
(access panel
removed)

TROUBLESHOOTING

Your SRE-3000 is not operating correctly. What should you do?

Before calling your Bruno dealer, refer to the solutions listed below. This could save you an unnecessary service call!

- **Seat swivel.** Is the seat locked in the riding position?
- **Barrier arms.** Are both arms completely down (rider in seated position) when pressing the rocker switch?
- **Footrest.** Is there an obstruction on the stairway that the footrest is contacting?
- **Carriage safety panels.** Is there an obstruction on the stairway that the carriage safety panels are contacting?
- **Main circuit breaker (or fuse) panel of residence.** Has a breaker tripped or a fuse blown?
- **Battery charger.** A discharged battery will cause the carriage to move more slowly until the voltage drops to the point where the controller will shut off. If this should occur, pause for a moment, then run the carriage down.

Partially charged batteries will run the carriage down, but not up.

Continued on next page.

TROUBLESHOOTING (CONTINUED)

- **Battery charger (continued).** Confirm that the battery charger is plugged into a live outlet and wait for the batteries to charge.
Is the battery charger plugged into a functional outlet? *Do not use outlets which are controlled by a wall switch.*
Is the power light on? See Diagnostics, page 13.
- **Visual check.** Do you notice anything about your elevator that is different or out of place?

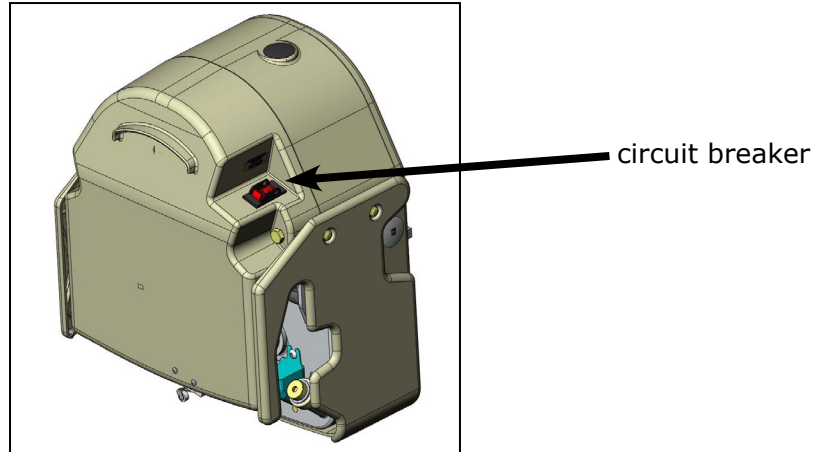
If your SRE-3000 continues to function improperly or not at all after completing the preceding checklist, contact an authorized Bruno dealer to perform all required service, repair and maintenance operations.

VACATION AND LONG-TERM STORAGE

If the SRE-3000 will remain unused for an extended period of time, turn off the circuit breaker (ON/OFF switch) on the carriage.

NOTE: *The batteries may require recharging before normal use if the stairway elevator remained unused for an extended period of time.*

To recharge, simply turn on the circuit breaker and wait until the battery charger LED indicates that the batteries are fully recharged.



**FIVE YEAR MAJOR COMPONENTS WARRANTY
TWO YEAR LIMITED WARRANTY
for
Bruno Stairlifts**

Bruno Independent Living Aids, Inc. ("Bruno"), warrants to the original purchaser of a Bruno Stairlift that the Bruno Stairlift is free from defects in material and workmanship for a period of two years from date of purchase. In addition, Bruno warrants that the motor, gear box and rail (the "Major Components") will be free from defects in materials and workmanship for a period of five years from the date of purchase.

The exclusive remedy for a defect in a Bruno Stairlift shall be the repair or replacement, at the option of Bruno, of the defective part or component. After the first 30 days of this warranty, only parts and components are covered. This warranty does not cover labor and other services after the initial 30 days. If repair or replacement of a Bruno Stairlift is not commercially practical or cannot be timely made, Bruno may elect to refund the purchase price of the Bruno Stairlift instead of repairing or replacing the Bruno Stairlift.

IN NO EVENT SHALL BRUNO BE RESPONSIBLE FOR INDIRECT, INCIDENTAL OR CONSEQUENTIAL DAMAGES, WHETHER SUCH DAMAGES ARISE FROM CLAIMS BASED ON CONTRACT, WARRANTY, TORT (INCLUDING NEGLIGENCE), STRICT LIABILITY OR PRODUCT LIABILITY. Some states do not allow the exclusion or limitation of incidental or consequential damages, so the above limitation or exclusion may not apply to you.

ALL IMPLIED WARRANTIES, INCLUDING ANY WARRANTY OF MERCHANTABILITY OR FITNESS FOR A PARTICULAR PURPOSE, ARE LIMITED IN THEIR DURATION TO THE LENGTH OF THE WARRANTY STATED ABOVE FOR THE AFFECTED COMPONENT. Some states do not allow limitations on how long an implied warranty lasts so the above limitation may not apply to you.

To obtain warranty service, you must follow these procedures:

1. Obtain return authorization by calling your local Bruno dealer;
2. Return the Bruno Stairlift, freight prepaid, to the address provided by your Bruno dealer or Bruno with proof of purchase indicating the date purchased.

Bruno will pay for shipping back to the purchaser within the continental United States and Canada if a defect in material or workmanship is discovered. Return freight and repair charges will be the responsibility of the purchaser if the problem is not covered by warranty.

This warranty does not cover damage or failure caused by misuse, abuse, accidents, physical damage, modifications not made by Bruno, damage in shipment, or repairs undertaken by anyone other than Bruno factory employees or authorized distributors. The "original purchaser" of a Bruno Stairlift that is leased or rented shall be the person or entity acting as the lessee or rental provider.

This warranty gives you specific legal rights, and you may also have other rights which vary from state to state. Bruno specifically does not authorize any person to extend the time or scope of this warranty.

For further information regarding this limited warranty, please contact Bruno by calling 1-800-882-8183 or writing to Bruno at the following address:

Bruno Independent Living Aids, Inc.®
Attention: Service Department
1780 Executive Drive, Post Office Box 84
Oconomowoc, WI 53066 USA

First in Performance. Built to Last!



Straight and Custom
Curved-Rail Stairlifts



Vertical Platform Lift



Over 25 Different
Vehicle Lift Solutions



Turning Automotive Seating

Bruno Independent Living Aids, Inc.[®]
1780 Executive Drive, P.O. Box 84, Oconomowoc, WI 53066
www.bruno.com

 **BRUNO**[®]
for your independence

©2010 Bruno Independent Living Aids, Inc.[®] All illustrations and specifications in this brochure are based on the latest product information available at the time of publication. Bruno Independent Living Aids, Inc.[®] reserves the right to make changes at any time without notice.
Manual Back Cover 3/10-2.

P/N 3000-O