

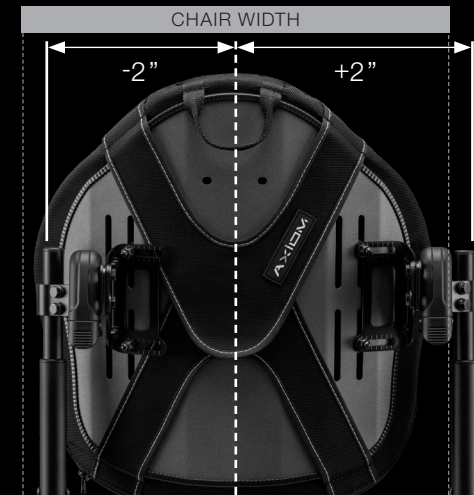
THE AXIOM DIFFERENCE

Axiom has your back. Every day you encounter a client's diverse needs, environmental considerations, positioning requirements, and interface preferences. The answer? Axiom – a complete solution portfolio that ensures the right choice for all your seating needs.

**Minimal mounting clamp =
Less interference**

Easy and intuitive setup

WC20 Transit Tested



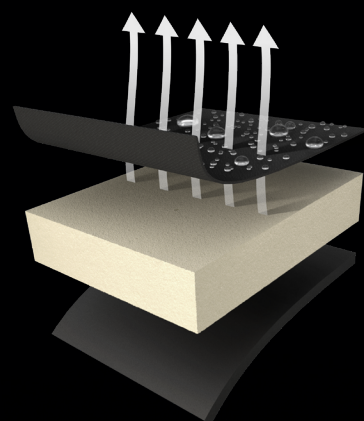
MARKET LEADING VERSATILITY

Because the back should fit both the chair and the rider. Easily adjust the back to fit +/-2" from chair width, providing a customized and personal fit to support all body types. Designed for easy and precise installation and bold styling.



TESTED TOUGH TO GO THE DISTANCE

We took a **Tested Tough** approach to our design to ensure our hardware is reliable, easy-to-use, and strong enough to withstand the stress of rigorous use. Axiom hardware won't slip and does not require frequent re-adjustment. Through extensive testing against the competition, we can confidently say **our hardware holds tough when others don't.**



PREMIUM CONSTRUCTION

Quality and reliability you can depend on. With the quality you expect from the Axiom brand, Axiom Backs provide the perfect balance of durability and comfort. Axiom Backs are built with high resiliency foam, durable Nylon-Spandex blend fabric and waterproof elastic monolithic membrane layer to promote airflow, breathability, and overall comfort. The back shells are specifically formed to maximize strength and optimize contact to the body.



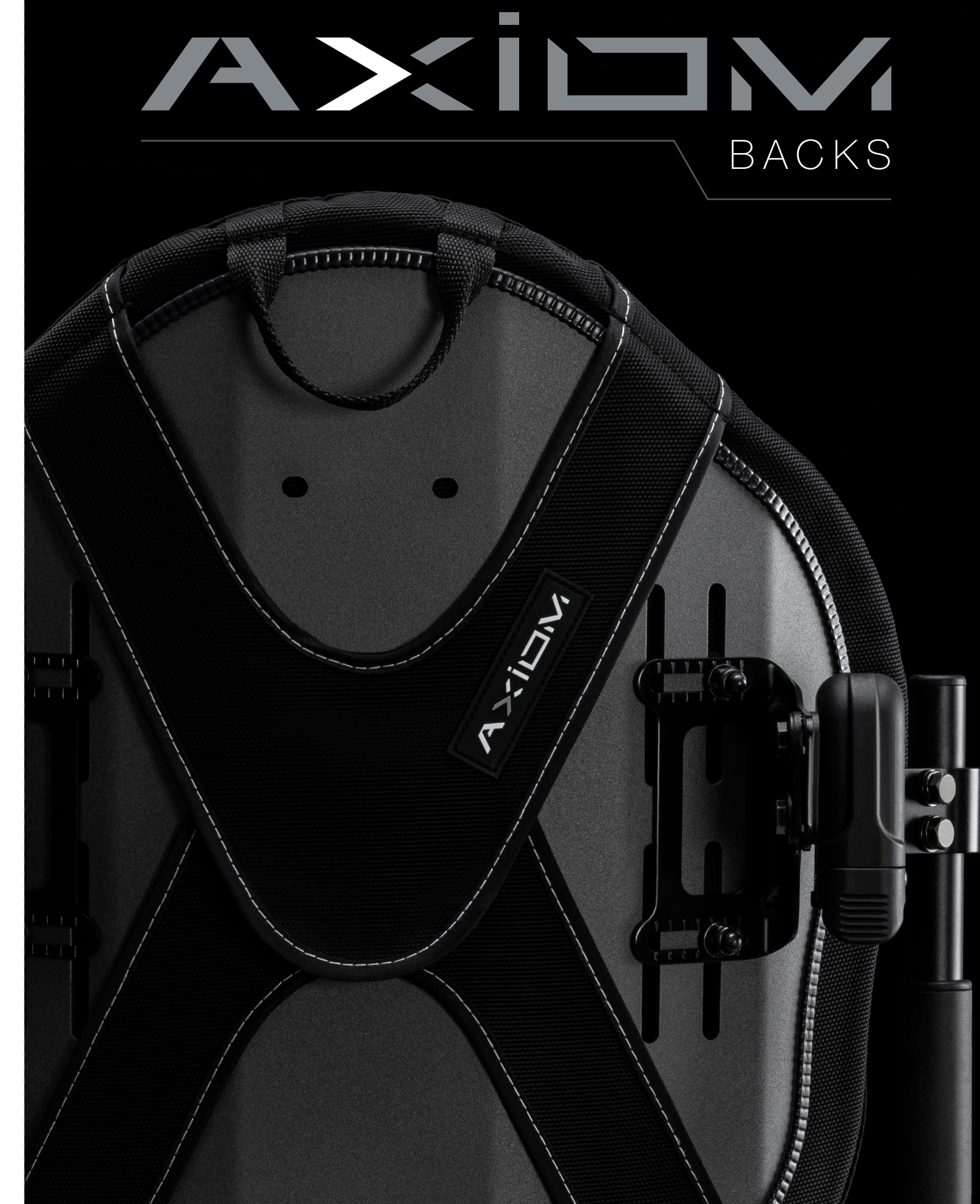
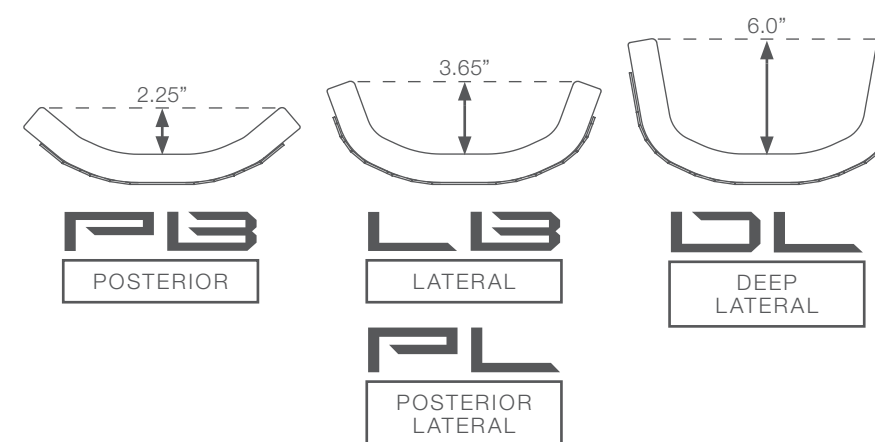
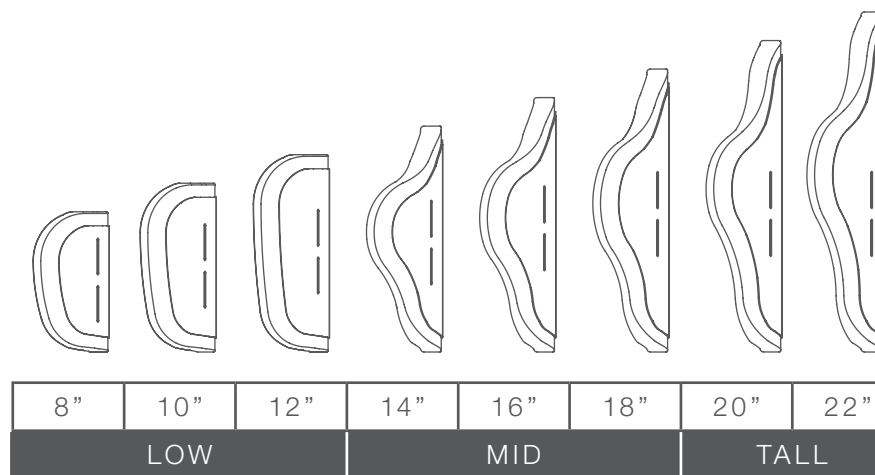
BETTER TOGETHER

A complimentary family of seating and positioning products, Axiom uses a "Best-In-Class" approach to design, function and quality that supports you in achieving better outcomes.

Let Axiom be your partner in navigating every client's diverse seating and positioning needs. Explore the complete range of Axiom products: Backs, Cushions, Softgoods, Hardware.

SPECIFICATIONS

WIDTH	
12" - 22"	28cm - 56cm
HEIGHT	
8" - 22"	20cm - 56cm
WEIGHT CAPACITY	
DEX	300 lb. 136 kg
BTX	400 lb. 181 kg
FXT	300 lb. 136 kg
HCPCS CODES	
PB	E2613 E2614
PL	E2615 E2w616
LB / DL	E2620 E2621



AXIOM BACKS

DEX

FLAGSHIP HARDWARE SOLUTION

The enhanced intuitive design with auto-resetting release levers makes installation and removal easy. DEX works with all back cane sizes and uses the least amount of space to minimize interference. Take the guesswork out of choosing hardware with DEX.



- Interior mounted fasteners
- Adjustable with rider in chair
- Smooth protective cover
- Alignment indicators



BTX

INDUSTRY LEADING STRENGTH

Whether you are looking for easy installation or a heavier weight rating – BTX is your solution. The 1" locking clamp design provides the most reliable clamp force in the industry and minimizes mounting interferences. Designed with ease and durability in mind, BTX provides a reliable solution that meets the demands of the toughest use environments.



- Single-handed removal
- Market leading rigidity
- Rated up to 400 lbs.
- Safety lockout pin



FXT

LOCKED-IN SOLUTION

When removal isn't necessary, choose FXT. The lightest hardware option in the Axiom family, FXT is strong, rigid and dependable offering a minimalist design in a fixed solution. Plastic cover protects the hardware from debris and buildup, making changes and adjustment easier.



- Compact and minimalistic
- 5° of angle adjustment
- Smooth protective cover

