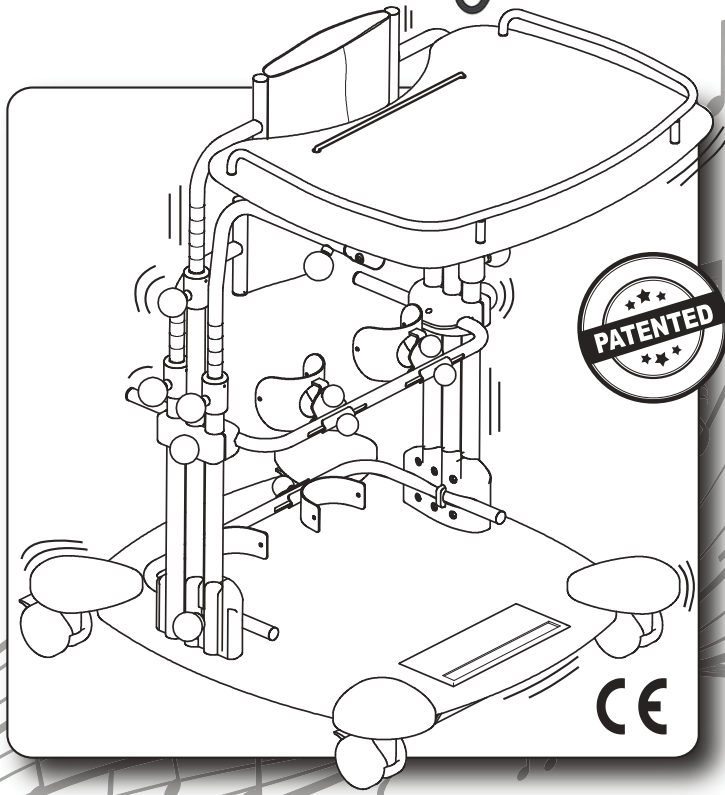


A P P

multisensorial standing



USE AND MAINTENANCE HANDBOOK

ORMESSA®

ORMESA thanks you for the confidence placed in choosing our **APP MULTISENSORIAL STANDING** standing frame.

APP MULTISENSORIAL STANDING is a standing frame where the attention to its functionality unites with the respect of ergonomic and safety principles.

ORMESA then suggests you to read this handbook very careful to fully understand its contents. It will help you in becoming familiar with **APP MULTISENSORIAL STANDING** soon and more efficaciously, and you will also find many practical advices to use it safely and in the best possible way and to keep it perfectly efficient.

Following our advice we'll help you in reaching the rehabilitation aim this aid has been designed for.

Luigi Menichini
Managing Director

 **INDEX**

WARNINGS 4

GUARANTEE..... 6

HOW TO STORE AND TRANSPORT THE MEDICAL DEVICE..... 6

LABELS AND PLATES 7

**SOME EXAMPLES OF WHAT SHOULDN'T BE DONE WHILE USING APP
MULTISENSORIAL STANDING 8**

CONFORMITY DECLARATION 9

HOW IT IS COMPOSED 10

TECHNICAL SPECIFICATIONS..... 11

DIMENSIONS of APP MULTISENSORIAL STANDING..... 12

WHAT APP MULTISENSORIAL STANDING IS AND WHAT IT IS FOR 13

HOW APP MULTISENSORIAL STANDING WORKS 14

BENEFITS OF “VIBRATIONAL THERAPY” RELATED TO A STANDER 15

CONNECTION of the ELECTRONIC KIT with a DEVICE (tablet, smartphone etc.)..... 17

QR CODE and MULTIMEDIA CONTENTS 18

INITIAL PREPARATION 19

HOW TO ASSEMBLE APP MULTISENSORIAL STANDING 20

HOW TO ADJUST APP MULTISENSORIAL STANDING..... 21

HOW TO BRAKE APP MULTISENSORIAL STANDING 22

 Adjustment of the HEELRESTS in WIDTH..... 23

 Adjustment of the HEELRESTS in DEPTH 24

 Adjustment of the KNEEPADS in WIDTH..... 25

 Adjustment of the KNEEPADS in DEPTH 26

Adjustment of the KNEEPADS in HEIGHT	27
Adjustment of the KNEEPADS in a ROTATORY WAY	28
ADJUSTMENT of the THORACIC and PELVIC SUPPORT in its CIRCUMFERENCE .	29
ADJUSTMENT of the PELVIC SUPPORT in HEIGHT	30
ADJUSMENT of the THORACIC SUPPORT in HEIGHT	31
ADJUSTMENT of the TRAY in HEIGHT.....	32
ADJUSTMENT of the TRAY in DEPTH	33
ADJUSTMENT of the TRAY in TILT.....	34
MOUNTING OF ACCESSORIES.....	35
HEADREST 865.....	35
CIRCUMFERENCE REDUCTION PARTS 944.....	40
MAINTENANCE, CLEANINGAND DISINFECTION OF APP MULTISENSORIAL STANDING.....	41
CUSTOMER SERVICE AND SPARE PARTS	42
CONDITIONS FOR DURABILITY, REUSE AND REASSIGNMENT TO A NEW USER ..	43

**WARNINGS**

- **CAREFULLY READ AND UNDERSTAND THE INSTRUCTIONS IN THIS MANUAL BEFORE USING THE DEVICE BECAUSE THEY HAVE BEEN WRITTEN WITH THE USER'S SAFETY IN MIND** and they will help the carer use the product safely and keep it in good working order. The Use and Maintenance Manual is an integral part of the product and must be carefully preserved for future reference.
- **THE MANUAL IS INTENDED FOR TECHNICALLY QUALIFIED RETAILERS AND FOR USERS AND THEIR ASSISTANTS**; it provides instructions for using the product correctly and must be supplemented by adequate knowledge of the rehabilitation program for which it has been prescribed.
- **The manual reflects the technical state of the product at the time it was sold. ORMESA RESERVES THE RIGHT TO MAKE ANY CHANGES TO THE PRODUCT OR MANUAL** suggested by experience, technical considerations or regulatory developments without any obligation to update its previous production and relevant manuals.
- **APP MULTISENSORIAL STANDING must be prescribed by a MEDICAL SPECIALIST** who will also supervise its use.
- **The effective use of APP MULTISENSORIAL STANDING requires training by SPECIALIZED PERSONNEL** such as ORTHOPAEDIC TECHNICIANS, THERAPISTS OR DOCTORS.
- **ATTENTION!: ADJUST APP MULTISENSORIAL STANDING to the CORRECT POSITION for its use** (see. § «HOW TO ADJUST APP MULTISENSORIAL STANDING» page 21)
- **ATTENTION!: after making any type of adjustment MAKE SURE that ALL ADJUSTABLE PARTS ARE LOCKED**, in order to avoid any possible danger to the User (see. § «HOW TO ADJUST APP MULTISENSORIAL STANDING» page 21)
- **MIMI STAN DY DJ** must only be used by **persons whose bodily measurements and weight** conform to the specifications in the paragraph “**TECHNICAL SPECIFICATIONS**” on page 11
- **APP MULTISENSORIAL STANDING** is only for **INDOOR USE**
- **APP MULTISENSORIAL STANDING** must be **used with the assistance and constant presence of qualified personnel or a family member**.
- **ATTENTION!: THE PRODUCT IS NOT FIREPROOF**, so keep APP MULTISENSORIAL STANDING far from flames, cigarettes or fires.

APP MULTISENSORIAL STANDING IS A MECHANICAL MEDICAL DEVICE:



Perform REGULAR MAINTENANCE and CLEANING following the instructions shown in the "Maintenance" chapter on page 41-42 and HAVE THE DEVICE INSPECTED AT THE INTERVALS INDICATED to VERIFY that it is WORKING PROPERLY and in GOOD CONDITION, otherwise warranty will fail and marking will lapse



PRODUCT REPAIRS other than the regular maintenance shown on page 41-42 of the manual must be ONLY MADE by a SPECIALIZED SERVICE CENTER in the maintenance of mechanical aids for disables, otherwise warranty and CE marking will be voided



Any CHANGES in the product and the REPLACEMENT WITHOUT ORIGINAL PARTS OR COMPONENTS ARE NOT AUTHORIZED. REFER ONLY TO ORMESA, otherwise warranty and CE marking will be voided



In case of DOUBT about the SAFETY of the product or DAMAGE to parts or components, you are urged to IMMEDIATELY DISCONTINUE USE and CONTACT a SPECIALIZED SERVICE CENTER in the maintenance of mechanical aids for disables, or directly ORMESA.

**GUARANTEE**

ORMESA and INNOVATION IN MOTION warrant the APP MULTISENSORIAL STANDING stander for 2 years. In case of problems, contact the retailer where you purchased it. Always ask for original spare parts, otherwise the guarantee will decline.

ORMESA will not be liable for damage in the following cases:

- use by an unsuitable person;
- incorrect assembly of parts or accessories;
- unauthorized modifications or service;
- use of other than original replacement parts and parts subject to wear (upholstery, wheels, etc);
- improper use (such as, transporting objects or loads larger or heavier than those shown in the instruction manual);
- damage caused by incorrect use and lack of regular maintenance, as shown in the instruction manual;
- exceptional events;
- failure to follow the instructions in this manual.

THE GUARANTEE DOES NOT COVER WEAR PARTS, which are subject to wear and tear, such as the upholsteries and the wheels.


**HOW TO STORE AND TRANSPORT THE MEDICAL DEVICE**

THE DEVICE MUST BE STORED AND PACKED using the Ormesa original packaging materials, unless the guarantee will be voided

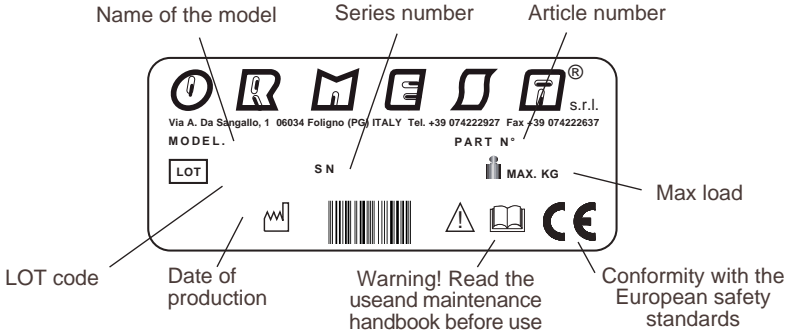
Once unpacked, **THE TRANSPORT OF THE DEVICE must be done by ANCHORING ADEQUATELY it to the vehicle**

When travelling by plane, or in the car, **DO NOT SUBJECT THE FOLDED FRAME TO LOADS THAT, especially with road bumps, COULD DAMAGE ITS STRUCTURE**

THE DEVICE MUST BE PARKED / STORED IN CLOSED AND DRY PLACES

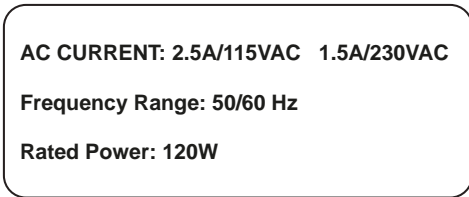
The operating environment has no particular influence on the device unless it is used incorrectly, such as by leaving it parked for a long time in direct sunlight or exposed to bad weather such as rain, or in marine environments, where the salt air could corrode the paint and sliding parts. In this case, we recommend carefully cleaning and drying the frame following the instructions shown in the “Mainten-ance, Cleaning and Disinfection” chapter on pages 41-42 **AND THE**  **WARNINGS ON PAGE 42**

LABELS AND PLATES



THE CE MARKING CERTIFIES THAT APP MULTISENSORIAL STANDING IS IN CONFORMITY WITH THE SAFETY STANDARDS FIXED BY THE EUROPEAN COMMUNITY, AND PARTICULARLY WITH THE 93/42/EEC AND SUBSEQUENT MODIFICATION AND SUPPLEMENTS.

LABEL SHOWING THE PLATE DATA OF THE PRODUCT



QR Code



The **CROSSED OUT WHEELED BIN** symbol means that APP MULTISENSORIAL STANDING was designed and manufactured using high quality materials and parts that can be recycled and reused. At the end of the product's life, it must be disposed of separately in designated collection facilities and not together with regular household waste, in accordance with European Directive 2003/96/EC.

EARTHING LABEL

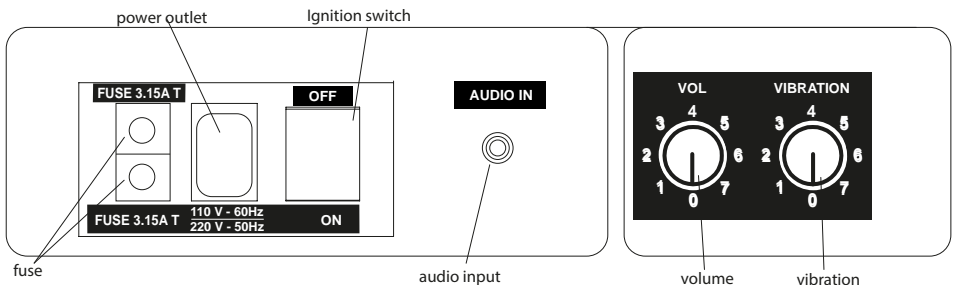


FUSE LABELS

FUSE 6.3A T

FUSE 0.5A T

CONTROL PANEL LABEL



**SOME EXAMPLES OF WHAT SHOULDN'T BE DONE WHILE USING APP MULTISENSORIAL STANDING**

- APP MULTISENSORIAL STANDING has to be used by those children whose bodily size and weight are just like the ones we specify: it has to be prescribed by a specialized doctor according to the laws, standards and rules in force
- Never put the aid on a slope
- Never lift the standing frame in order to move it while the User is using it
- Don't put anything too hot on the tray because the wood or covering could be hardly damaged
- In order to adjust the parts while the user is using it scrupulously follow the paragraph § "HOW TO ADJUST APP MULTISENSORIAL STANDING" on page 21 of the Use and Maintenance Handbook
- APP MULTISENSORIAL STANDING has not been designed for the outdoor use unless it is on flat paved ground, well sheltered from bad weather
- Never use the product if there are damaged or missing parts
- Always ask for original spare parts, on the contrary the guarantee decays and ORMESA will be no more responsible for the product
- Do not pour liquids on APP MULTISENSORIAL STANDING and particularly on the footrest and on the control panel: should liquids drop on the control panel accidentally disconnect the electric cable from the socket and contact your dealer or Ormesa directly
- Never leave the aid under the sun for a long time or near heat sources. This will avoid its overheating and the discoloration of the padded parts
- Never let the user alone on the aid
- Don't let other people use the aid, not even to play with it
- Do not use the product to climb or descend stairs: its structure was not designed for this purpose

ORMESA S.r.l. guarantees and declares , under its own exclusive responsibility, that the following Medical Device, technical aid for rehabilitation:

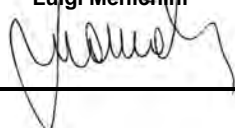
APP MULTISENSORIAL STANDING

which this declaration refers to, is manufactured by Ormesa srl in conformity with the general re-quirements provided in the Directive 93/42/EEC and subsequent amendments and additions, concerning the medical devices, according to which this aid belongs to the I risk class and has been designed in observance to the following standards:

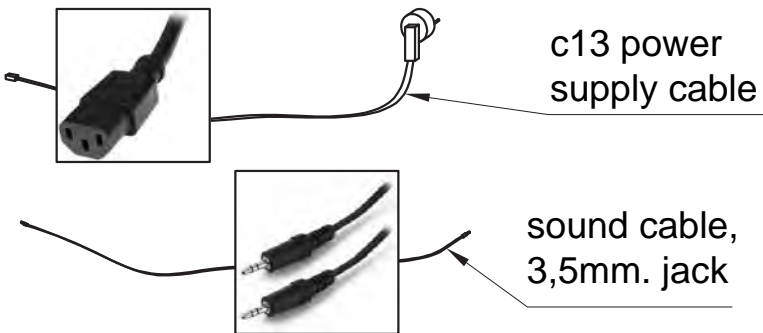
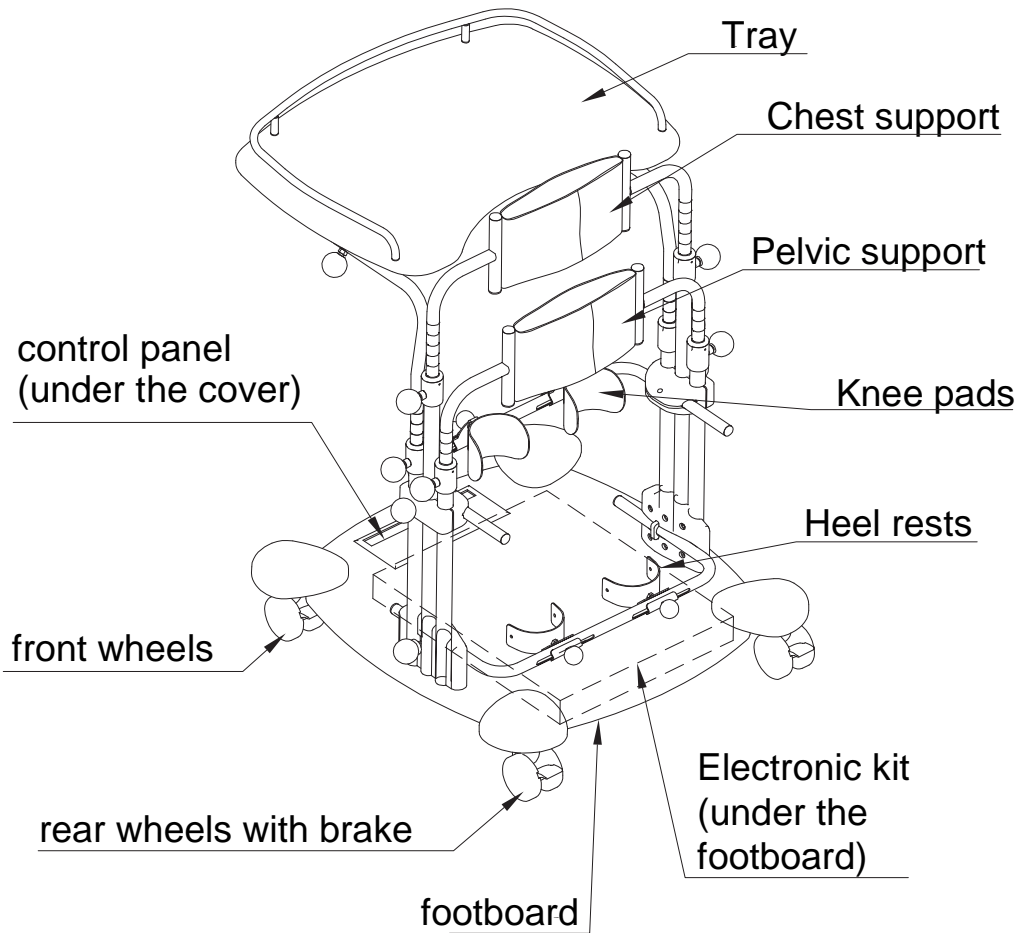
DIRETTIVA 2014/30/EU	Harmonization of the Member States relating to electromagnetic compatibility
UNI CEI EN ISO 14971:2012	Medical devices - Application of risk management to medical devices
UNI EN 12182:2012	Products designed to assist people with disabilities - General requirements and test methods
ISO 9999:2011	Technical aids for disabled persons - Classification
UNI EN 1041:2013	Information supplied by the manufacturer with medical devices
UNI CEI EN ISO 15223-1:2012	Symbols for use in the medical device labels, labeling and information to be supplied - Part 1: General requirements
CEI EN 60601-1-2:2010	General requirements for basic safety and essential performance. Collateral standard. Prescription electromagnetic compatibility and tests.
CEI EN 61000-3-2:2007	(EMC) Limits for harmonic current emissions
CEI EN 61000-3-3:2014	(EMC) Limits for voltage fluctuations of voltage fluctuations flicker in low voltage supply systems for equipment with rated current <= 16A
CEI EN 61000-4-4:2013	(EMC) immunity test transients, bursts of pulses fast Electric
CEI EN 61000-4-2:2011	((EMC) immunity test static electricity discharge
CEI EN 61000-4-11:2006	(EMC) immunity test voltage dips, short interruptions and voltage variations
CEI EN 61000-4-3:2007	(EMC) Immunity to radio frequency electromagnetic fields radiated
CEI EN 61000-4-5:2007	(EMC) immunity test pulse
CEI EN 61000-4-6:2011	(EMC) Testing and measurement techniques - Immunity to conducted disturbances, induced by RF fields
CEI EN 55011:2013	Industrial, scientific and medical. radio disturbance characteristics. Limits and methods of measurement
CEI EN 60335-1	Safety of household and similar electrical appliances. General rules.

Foligno, 25.10.2016

The Legal Representative
Luigi Menichini



HOW IT IS COMPOSED



TECHNICAL SPECIFICATIONS

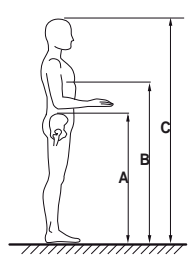
- **APP MULTISENSORIAL STANDING** is available in three sizes (see “DIMENSIONS” on page 12)
- All **adjustments** are made by knobs, without using wrenches.
- **FRAME** varnished with non-toxic epoxy-powder paint and with chromium-plated adjustable parts. It is adjustable in tilt
- **TRAY** in multilayer wood. It is adjustable in height, tilt and depth. It can be removed
- **KNEE-PADS** adjustable in height, width, depth and in a rotatory movement
- **HEELRESTS** adjustable in depth and width
- **MULTILAYER WOOD FOOTBOARD**
- **PELVIC SUPPORT** adjustable in its circumference thanks to Velcro straps, in height, back and forward
- **Thoracic SUPPORT** adjustable in its circumference thanks to Velcro straps and in height
- Unpierceable **WHEELS**, diam. 75 mm, rear wheels with brakes. Thanks to the wheels the aid can be moved from one room to another with the User
- **ELECTRONIC Kit**: patented system fixed under the footboard which can **transform an “audio” electronic signal into vibration**

Operating Voltage	V = 230 (V) AC, V = 115 (V) AC
Power Absorbed	P = Max. 33 (W)
Power Grid Frequency	F = 50 (Hz), F = 60 (Hz)
Device class	Class 1
Protection rating	IP20
Fuses	2 x 3.15 (AT), 1 X 6 (AT), 1 X 0.5 (AT)
Power supply voltage of the control circuits	V = 24 (V)

ATTENTION!

The wiring diagram of the power and control circuits will be provided upon request.

USER HEIGHT ©



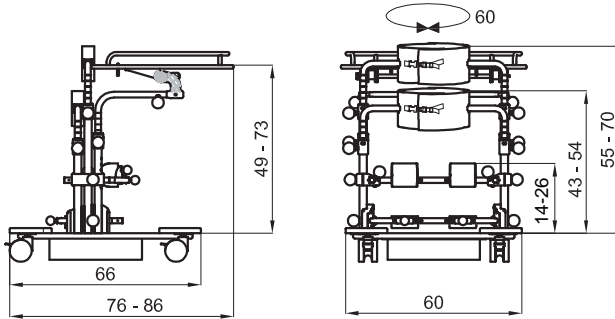
ALTEZZA UTENTE (C):
 USER HEIGHT for APP size 1: from 75 to 100 cm.
 USER HEIGHT for APP size 2: from 95 to 125 cm.
 USER HEIGHT for APP size 3: from 120 to 150 cm.

IMPORTANT:
 Make sure that the heights shown in figure A and B do fall within the measuring range indicated for the chest and pelvic support (see page 12)

DIMENSIONS of APP MULTISENSORIAL STANDING

The numbers divided by the dash specify a minimum and a maximum adjustment

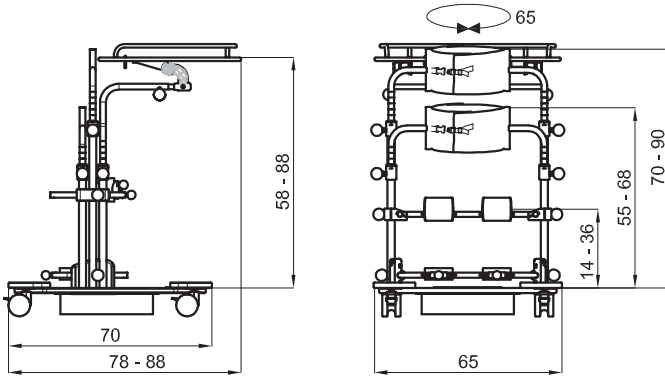
Measures in cm



APP MULTISENSORIAL STANDING 1

Weight of the aid Kg. 22,6

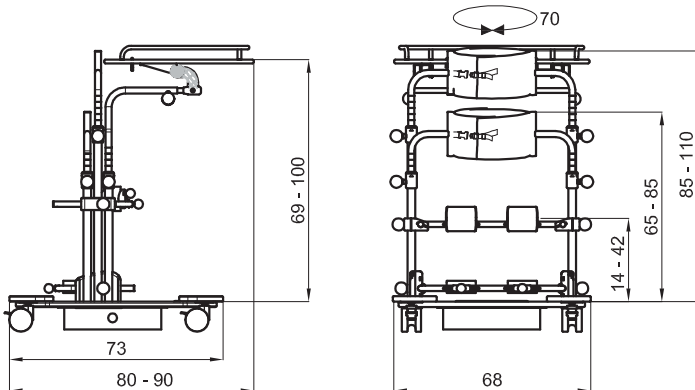
Max. Load Kg. 35



APP MULTISENSORIAL STANDING 2

Weight of the aid Kg. 25,6

Max. Load Kg. 45



APP MULTISENSORIAL STANDING 3

Weight of the aid Kg. 28,5

Max. Load Kg. 55

WHAT APP MULTISENSORIAL STANDING IS AND WHAT IT IS FOR

APP MULTISENSORIAL STANDING IS A STANDING FRAME DESIGNED AND MANUFACTURED TO HELP CHILDREN FROM 1 TO 12 YEARS TO ACHIEVE AND MAINTAIN AN UPRIGHT POSITION.

APP MULTISENSORIAL STANDING HAS BEEN DESIGNED AND MANUFACTURED :

- To train and achieve an independent upright position
- to maintain a vertical position with a two-foot load, as an alternative to an independent position that would otherwise be impossible
 - to make therapy time pleasant both eliminating the “boredom” factor and also increasing the number of stimuli the child receives

It is important to remember that:

- the upright position is the ideal antigravity posture for human beings. It represents the conquest of a two-legged bearing that thus frees the upper limbs and hands from acting as support and protection
- what we mean by posture is the body's constant relation with its environment, achieved by maintaining a balance between the elastic forces of the protagonist and antagonist muscles, and between the body's inner forces and the forces exerted on it by the outside environment
- posture is maintained by integrating visual, vestibular and somatic-sensory proprioceptor information

APP MULTISENSORIAL STANDING is an aid that allows this information to be integrated and facilitates this process

MORE SPECIFICALLY AN APPROPRIATE USE OF APP MULTISENSORIAL STANDING CAN FACILITATE:

- Gaining experience with a posture that can act as an alternative to the one that has been “forced” or “partially forced” on the child by his pathology, as well as enabling proper placement of the joints so that controlled and modulated variations can be introduced. **The aim of all this is to prevent from deformity**
- Training the antigravity musculature
- **controlling and straightening the head.** Conditions that are facilitated by the reduced antigravity involvement of the trunk: this is achieved thanks to the table which is considered as an adjustable chest support (the table can be removed once adequate control of the trunk has been attained)
- **Experiencing visually guided manual activity.** Thanks to this it is possible to integrate the visual information drawn from the objects with the information coming from the child's own body when it is in the correct posture
- **Therefore this involves the possibility of grasping, catching and exploring,** initially on an overall level and then selectively, and handling through simple or complex constructive activities,
- using objects. This is also facilitated by the fact that the upper limbs have been relieved of their protective and support functions
 - **stimulate the nerve system** through the audio files differentiation, video, audio-video ones proposed to the User we can do more therapies simultaneously

IN ADDITION, THE UPRIGHT POSTURE ALSO ENABLES THE FOLLOWING:

- A – **IMPROVED RESPIRATORY CAPACITY** through increased ventilation and a decrease in obstructive phenomena
- B – **IMPROVED PERISTALSIS**
- C – **IMPROVED CIRCULATION**

Above all it is important to emphasize that **APP MULTISENSORIAL STANDING** is an **AID THAT CAN ENHANCE THE CHILD'S CAPACITY TO ADAPT TO HIS SURROUNDINGS**, or in other words, to interact positively with the world around him.

This will ultimately lead to MORE PERSONAL AUTONOMY, so that the child can establish good relations with himself, with the others and with his physical environment: his skill at “getting in touch with”.

HOW APP MULTISENSORIAL STANDING WORKS

It works very simply and safely.

APP MULTISENSORIAL STANDING is a standing frame composed of a lateral frame that is **graduated so that its height can be easily adjusted** and of a **patented electronic kit fixed under the footboard**

When the child is standing he is supported by wide straps across the pelvis and trunk that can be adjusted from the front to the back (to follow knee-hip flexion) as well as in its circumference.

Two front knee pads and two heel rests fix the position of the lower limbs. **The physiatrist and/or therapist must continuously monitor the child's position on the APP MULTISENSORIAL STANDING.** In fact it is used by handicapped children during their developmental period. Since they grow up quickly and they can also change in terms of their pathological picture, this entails constant assessment and adjustment.

ATTENTION: Before starting to position the child, brake the wheels of APP MULTISENSORIAL STANDING!

When starting it is advisable to have an adult stand behind the child and hold his sides firmly if the child has an adequate control of the trunk. Otherwise, the child should be supported by his armpits.

The therapist should temporarily position the lower limbs first, followed by the pelvis and the chest. At this point, always attempting to get the child cooperate as actively as possible and explaining him what is being done and why, the position of the feet in the heel rests and knee pads must be controlled,

following any flexion that may be present. Subsequently, the pelvis must be controlled through the pelvic support and then, the trunk must be controlled using the thoracic support.

It is important to pay special attention to “dosing” the right amount of chest and pelvic support. There must be an adequate support to assure a minimum amount of stability.

Avoid any **excessive support** since it **could give the child a heavy feeling of “confinement”**. At the same time, however, the support must not be too **“light”** since **this could cause a reaction of “fear of falling” or instability.**

If the child is able to communicate, it is important to listen to his feelings and impressions so that the amount of restraint can be “modulated” as correctly as possible.

Always bear in mind that **APP MULTISENSORIAL STANDING** is a standing frame that must allow the child

to carry out several activities and that it was not designed to keep him still and immobilized. This is the main objective that must be taken as a guideline in using this aid, which should work as a tool “to do things in a correct and favourable position”.

Naturally the correct posture will be different from one child to another according to their age, motor picture and overall picture. However, the general rule is to set a position that is the most correct and aligned one.

BENEFITS OF "VIBRATIONAL THERAPY" RELATED TO A STANDER

The idea of APP MULTISENSORIAL STANDING arises from the fact that children are often "bored" when using the stander because they have to maintain "forced" positions for a long time and this can lead to a rejection of

using this aid.

Thanks to APP MULTISENSORIAL STANDING we try to make this therapy time pleasant both eliminating the "boredom" factor and also greatly increasing the number of stimuli that the child receives.

How?

Through a patented system fixed under the footboard and connected to a device (tablet, smartphone, etc.), according to the generated sound, creating vibrations that propagate through the entire structure of the stander : footboard, knee pads, supports, and the tray. The propagated vibrations change of intensity to the change of music. In this way, the body becomes a real "sounding."

Thanks to this feature, the time the child is on the stander becomes pleasant and it is considered as a game, but at the same time it becomes a very important rehabilitation time, because the number of stimuli increases a lot.

The **advantages** may be summarized as follows:

- Eliminate the inconvenience due to the insufficient acceptance of the aid by the user.
- Increase the number of stimuli perceived by the user.
- Increase the following therapeutic aspects:
 - Physiological and social functions
 - Proper bone formation
 - Prevent dislocations
 - Stimulate muscles
 - Increase the respiratory function
 - Facilitate digestion
 - Prevent contractures and deformities.
- Stimulate the autonomic nervous and sensory system (eg. Low vision, agnosia, perceptual disturbances, sensory disturbances, cognitive problems, etc.)
- Stimulate the neuromotor system (eg. hypotonic – hypertonic children, etc.).
- Transform a passive aid into an active one

Examples of use:

Using a cartoon / a "favorite" song, the child has fun and we reach the goal to make the aid be accepted also by those ones who reject it.

Using some cause and effect applications (eg. Drums) you can work on cognitive and motor level: when you tap the various drums, we have sounds and vibrations of different intensity.

Watching a video of a racing car that produces different vibrations as the engine speed changes produces a much more real and enjoyable body experience to the child.

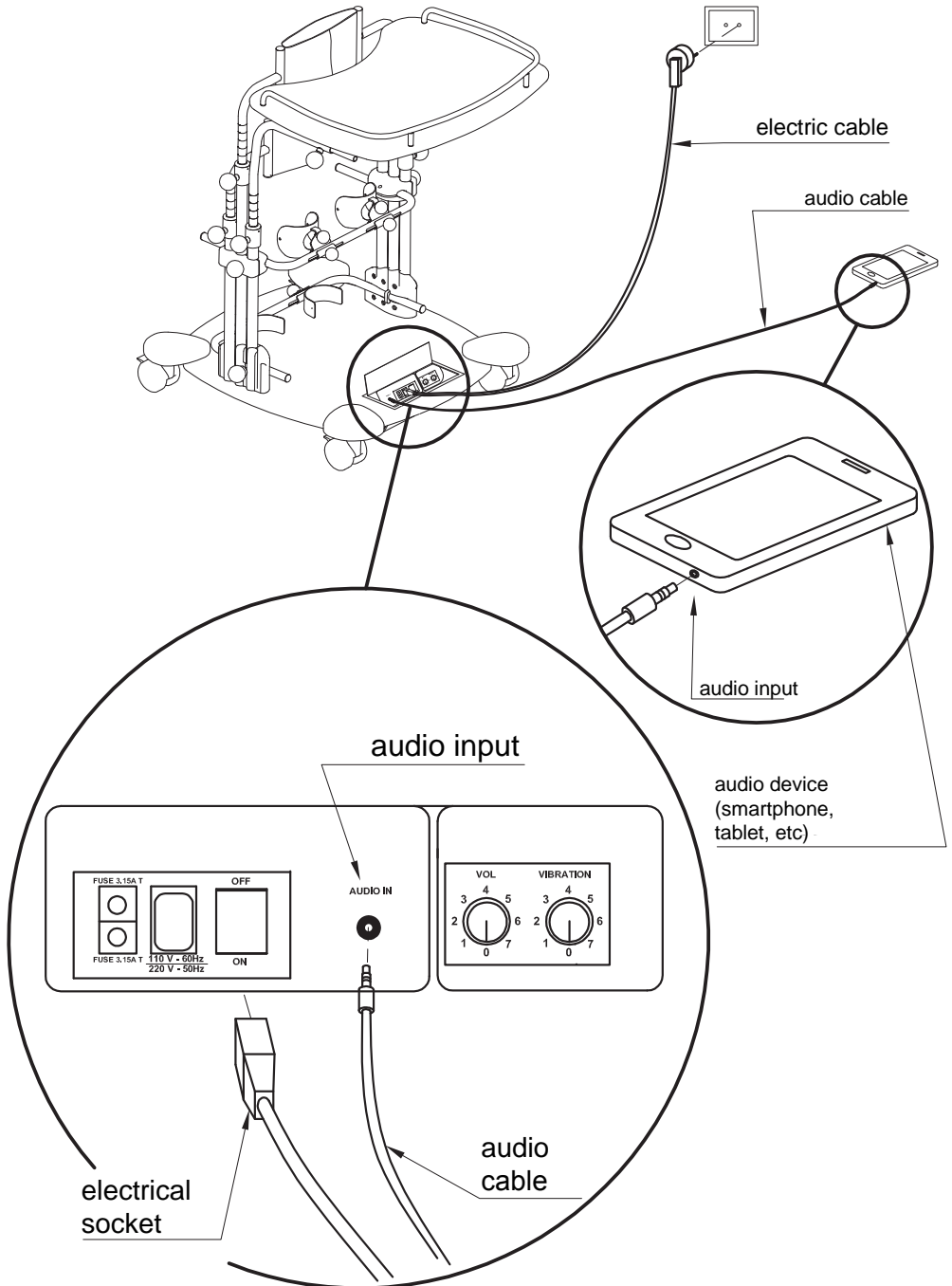
We can also say that with APP MULTISENSORIAL STANDING, we can do more "therapies" simultaneously. These stimuli listed by us, are all recognized in music therapy.

Some hints about the benefits of music therapy

- Reaction of the vegetative system (listen to a particular sound generates stimulation)
 - In the brain, through music you have different emotional responses:
involvement of the right temporal lobe (intuitive part) and left (rational part)
 - Changes of the **vegetative nervous system**: depending on the type of music we listen to, happy, romantic, relaxing, change the heartbeat, breathing, sweating and other physiological reactions.
 - Change of the **movement system** danceable songs or marches, lead us to activate some motor responses (eg. keeping time with his foot) almost involuntary
- Cognitive / Behavioral System**: most of the music, being a form of communication, is decoded by the left hemisphere, the right one capture the emotional aspects.
- Eg. music, if used with an Alzheimer's patient, can develop the motor initiative thus a movement. (Movement System)
- Also the cerebellum is involved in musical perception.
 - Both language and music use the same ear-auditory channel and children are able to learn both.
 - Music Therapy makes the subject more labile and it generates a cortical reorganization
 - Used in subjects with cognitive and neurological disorders: autism, epilepsy, dementia, vegetative states, speech disorders, movement disorders, ataxia, spasticity, balance disorders.

Vibrational Sound Therapy: the sound vibration is the protagonist of the therapeutic action. Cells react like resonance to the vibrated frequency and to the sound source that emits it. In this way cells are amplified and revitalized. The fluids of the body conduct the sound waves throughout the body and the cells react with a cellular regeneration and a consequent psychological well-being.

CONNECTION of the ELECTRONIC KIT with a DEVICE (tablet, smartphone etc.)





Electrical safety

- In order to guarantee the patient and user safety respect all the information and warnings in this manual
- Should you connect it with other tools, comply with the EN 60601-1 and EN 60601-1-2 Directive
- Connection with other tools are only allowed when the safety standards for the patient, user and the environment are not compromised
- Should the cables, connectors or other parts of the APP MULTISENSORIAL STANDING be damaged or shouldn't them work correctly, change them immediately
- Contact your nearest authorised Service Center for any changes
- It is strongly recommended that you check the general functions of the APP MULTISENSORIAL STANDING before starting to use it. In the event of disturbances or malfunction, turn APP MULTISENSORIAL STANDING off and disconnect it from the power supply System. Do not use APP MULTISENSORIAL STANDING again and contact the assistance service.

Graphic Symbols used in accordance with the IEC 601-1 (CEI 62-5) standards

Electromagnetic Compatibility

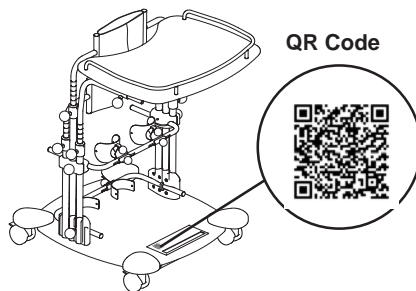
- APP MULTISENSORIAL STANDING was designed to be used in an electromagnetic environment in accordance with the CEI EN 60601-1-2:2010 standard.
- The operator must ensure that the device is used in an environment that conforms to this standard.
-  - ATTENTION! The quality of the power supply and the magnetic fields at mains frequency should be the one of the domestic, commercial and hospital environments.
-  - ATTENTION! Should the operator need to work without interruption, in the event of power outage it is necessary to power the device through an UPS (Uninterruptible Power Supply).
- ORMESA DISCLAIMS ALL RESPONSIBILITY FOR POSSIBLE ELECTROMAGNETIC FIELDS OR INTERFERENCES FROM THOSE DEVICES (TABLET, SMARTPHONE ETC.) WERE APP MULTISENSORIAL STANDING USED.

Environmental conditions

- Temperature: 10°C ÷ 25°C (environment)
- Humidity: 40% ÷ 60% (environment)
- Don't position APP MULTISENSORIAL STANDING near direct sources of heat, such as heaters or radiators.
- Don't radiate APP MULTISENSORIAL STANDING with concentrated magnetic fields.
- Don't expose APP MULTISENSORIAL STANDING to humidity.
- Don't pour liquids on APP MULTISENSORIAL STANDING.
- Avoid dust or dirt for APP MULTISENSORIAL STANDING.
- Don't position APP MULTISENSORIAL STANDING on slopes and on slippery or unsteady surfaces
- Don't step on the power cable and don't put heavy objects on it.
- When disconnection the power cable don't pull the cable, but get the power socket
- Attention! Don't expose APP MULTISENSORIAL STANDING to condensation, to avoid any risk of shock or irreparable damages to the system.
- Don't use APP MULTISENSORIAL STANDING in explosion-risk environments.
- The system and its accessories are not protected against liquid entering, unless otherwise specified.
- The device meets the requirements of electromagnetic compatibility in accordance with the rules specified in the 2014/30/EU standard
- Pay attention to the use of the aid near microwave devices. If the aid is used together with microwave devices remember that they may cause interferences with the product and reduce the right functions.
- Don't position the aid near X-ray equipment.
- Pay attention to the use of the aid near mobile radio communication devices. These devices may reduce the right functions of the aid.
- Should the aid be used with mobile radio communication devices, check its right operation.

QR CODE and MULTIMEDIA CONTENTS

QR Code positioned on the aid (see figure) or on page 6 of this handbook. It allows you to access Ormesa website where you can download the multimedia contents available for APP MULTISENSORIAL STANDING (games, music, video)



HOW TO READ THE QR CODE TO DOWNLOAD THE MULTIMEDIA CONTENTS TO USE WITH APP MULTISENSORIAL STANDING

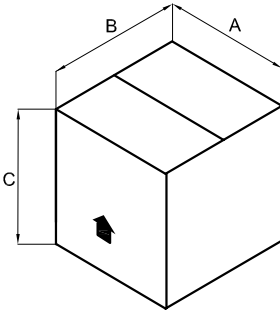
The QR code allows you to access multimedia contents via a mobile phone, a smartphone or a tablet. **To scan the QR code requires the appropriate application** downloadable for free from the Apple Store for iPhone or Google Play for Android (eg. QR Reader). Once you download the application, open it and proceed as in the four figures illustrated below to download multimedia contents to use with the aid

The process is shown in four panels:

- FOCUS:** A smartphone is held up, focusing on the QR code on the aid.
- CAPTURE:** The smartphone's camera has captured the QR code, indicated by a white frame around it.
- DISPLAY:** The smartphone screen shows the Ormesa website with the URL <http://www.ormesa.com/it/>.
- DOWNLOAD MULTIMEDIA CONTENTS:** The smartphone screen shows a list of multimedia content for download. The content is categorized by age group: "Adulti" and "Bambini".

App	Apple	Android
suoni dei veicoli - vehicle sounds	Download	Download
Collega i puntini - Connect the Dots	Download	Download
Tamburo - Drum	Download	Download
Xilofono	Download	Download
Chitarra - Guitar	Download	Download

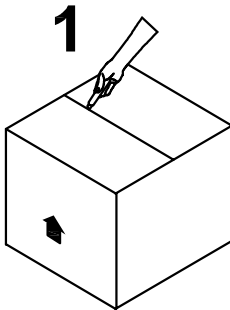
INITIAL PREPARATION



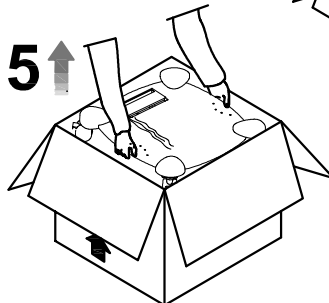
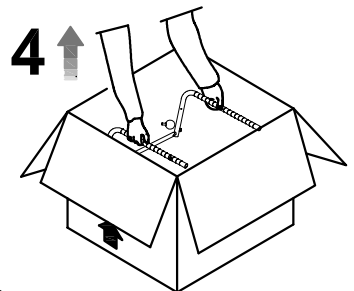
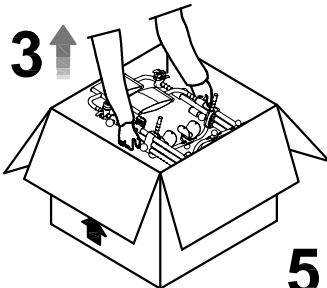
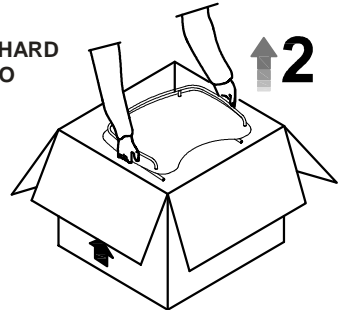
INFORMATION ABOUT THE PACKING

STANDING FRAME	A cm	B cm	C cm	VOLUME m ³	WEIGHT kg
APP MULTISENSORIAL STANDING 1	81	62	46	0,231	27
APP MULTISENSORIAL STANDING 2	81	62	46	0,231	31
APP MULTISENSORIAL STANDING 3	87	73	48	0,305	34

HOW TO TAKE APP MULTISENSORIAL STANDING OUT OF THE CARTON



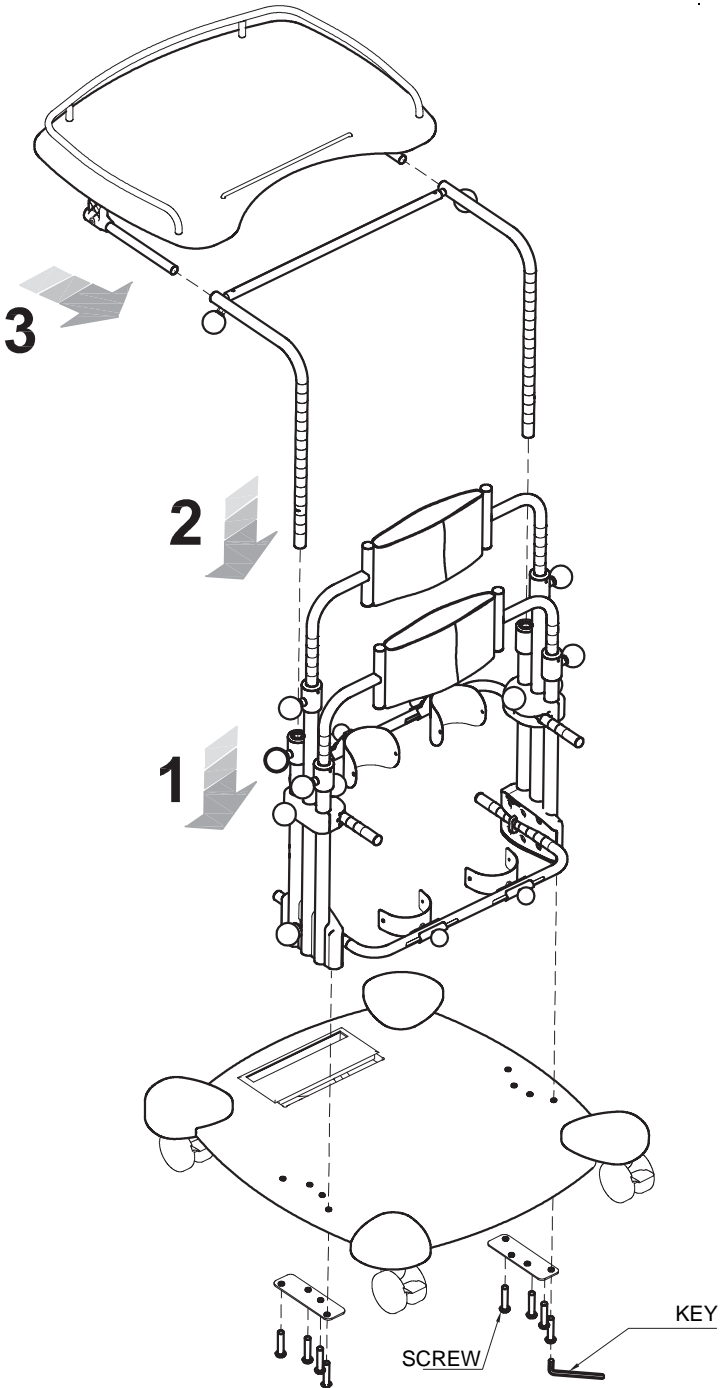
ATTENTION!
CUT WITHOUT PRESSING TOO HARD
WITH THE BLADE SO AS NOT TO
DAMAGE THE CONTENTS OF
THE BOX



Attention!

Check that App Multisensorial Standing is unbroken and that it is complete of all parts

HOW TO ASSEMBLE APP MULTISENSORIAL STANDING



HOW TO ADJUST APP MULTISENSORIAL STANDING

WHILE ADJUSTING THE STANDING FRAME IT IS IMPORTANT TO FOLLOW THREE PHASES AND IT MUST BE ADJUSTED UNDER THE DIRECT CONTROL OF THE DOCTOR WHO PRESCRIBES IT

1ST. PHASE: YOU HAVE TO CONSIDER:

- 1.the height of the child from under his chest to the ground is needed to fix the chest support;
- 2.the height from the knee-cap to the ground is needed to fix the knee-pads of the standing frame;

You can measure while the child is standing or while he is laying.

2ND. PHASE: INITIAL ADJUSTMENT WITHOUT THE CHILD AND CONSIDERING THE MEASURES THAT YOU MUST MEASURE BEFORE

3RD. PHASE: SUBSEQUENT ADJUSTMENT WITH THE CHILD

Check:

- 1.that the back strap, once it is closed, is in the middle of the bottom. The height of the arm supports depends on the position of the back support of the pelvis;
- 2.the position of the knee-pads;
- 3.the position of the heel rests in width and depth;
- 4.the position of the tray. It must be fixed controlling the height of the User from under his elbow to the ground (minimum height). Shouldn't it be possible to make this control, you can measure the distance from the bended elbow to his feet while the User is laying.
- 5.the vertical alignment of the chest and pelvis
- 6.the flexion of the limbs: the vertical position is determined by the front and back adjustment of the pelvis support, of the knee-pads and of the heel rests.

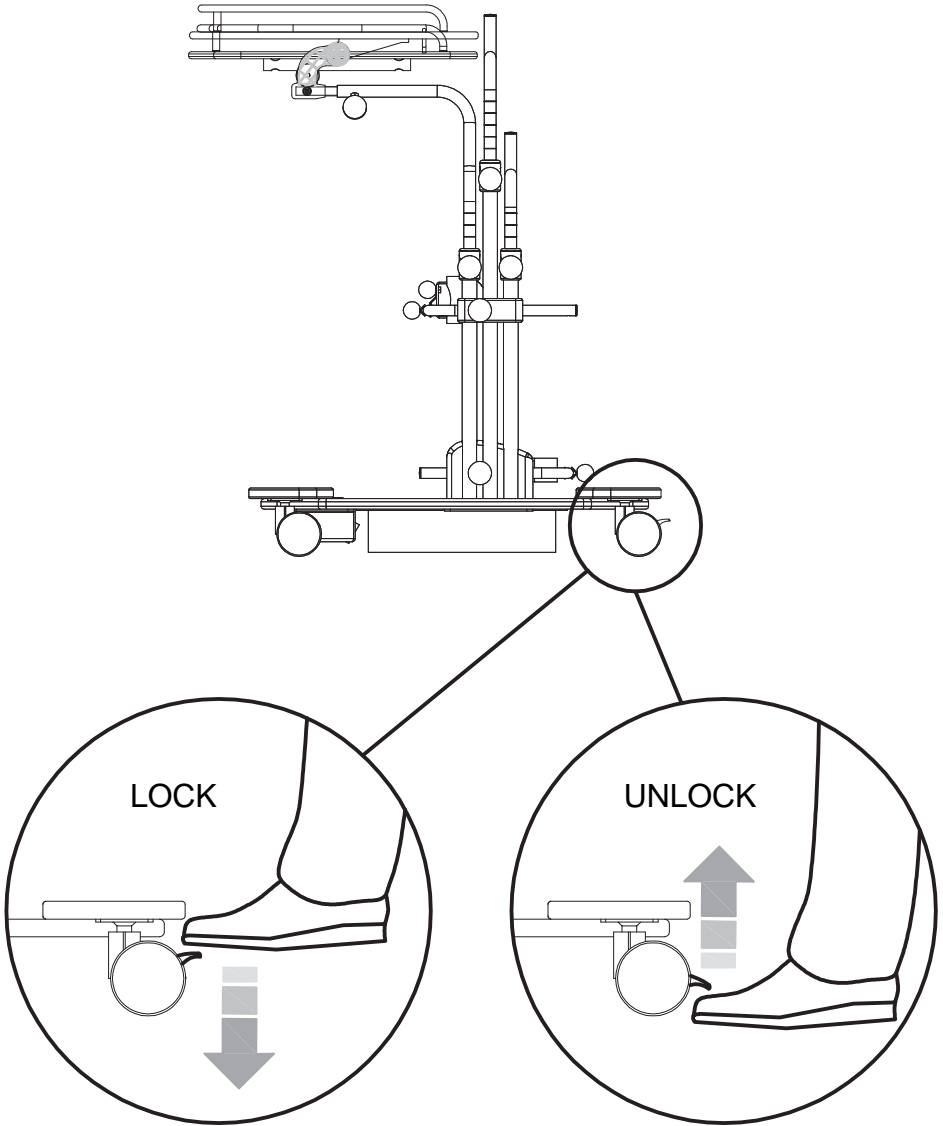
WARNINGS: ALL THE ADJUSTABLE PARTS MUST HAVE BEEN WELL LOCKED!!!

Always check that all the adjustments have been correctly fixed in order to avoid any possible danger to the User.

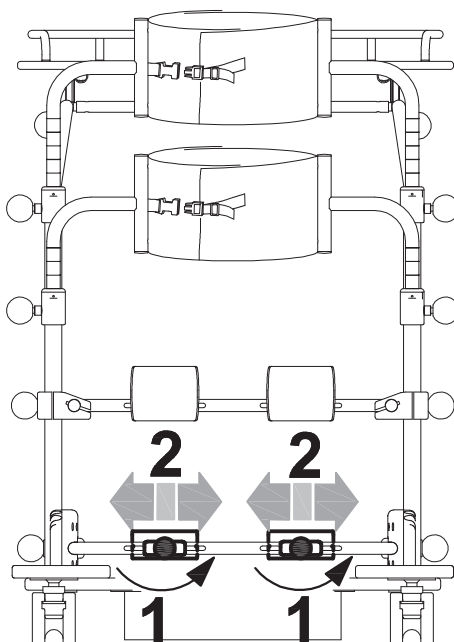
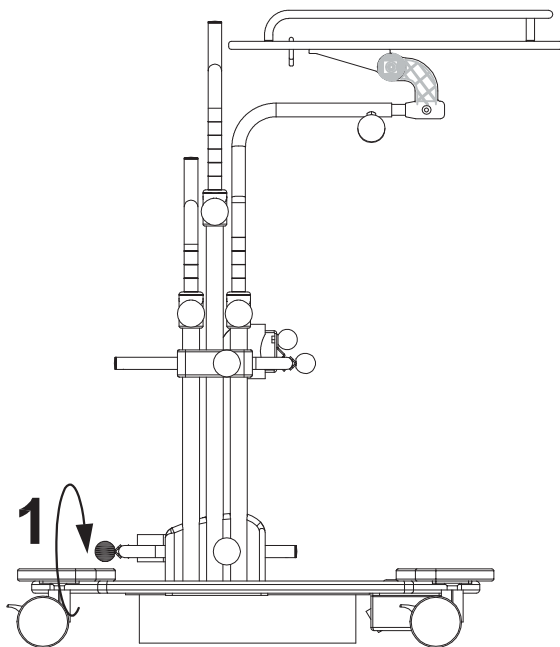
WARNINGS:

THE ADJUSTMENTS MUST BE ALWAYS CONTROLLED BY THE DOCTOR WHO PRESCRIBES THE AID AND BY THE THERAPIST WHENEVER THEY THINK IT IS NEEDED. THIS IS IMPORTANT TO OPTIMIZE THE VERTICAL POSITION BECAUSE THE RIGHT USE OF THE STANDING FRAME CONDITIONS THE FLEXION OF THE USER AND IT REDUCES HIS RIGIDITY

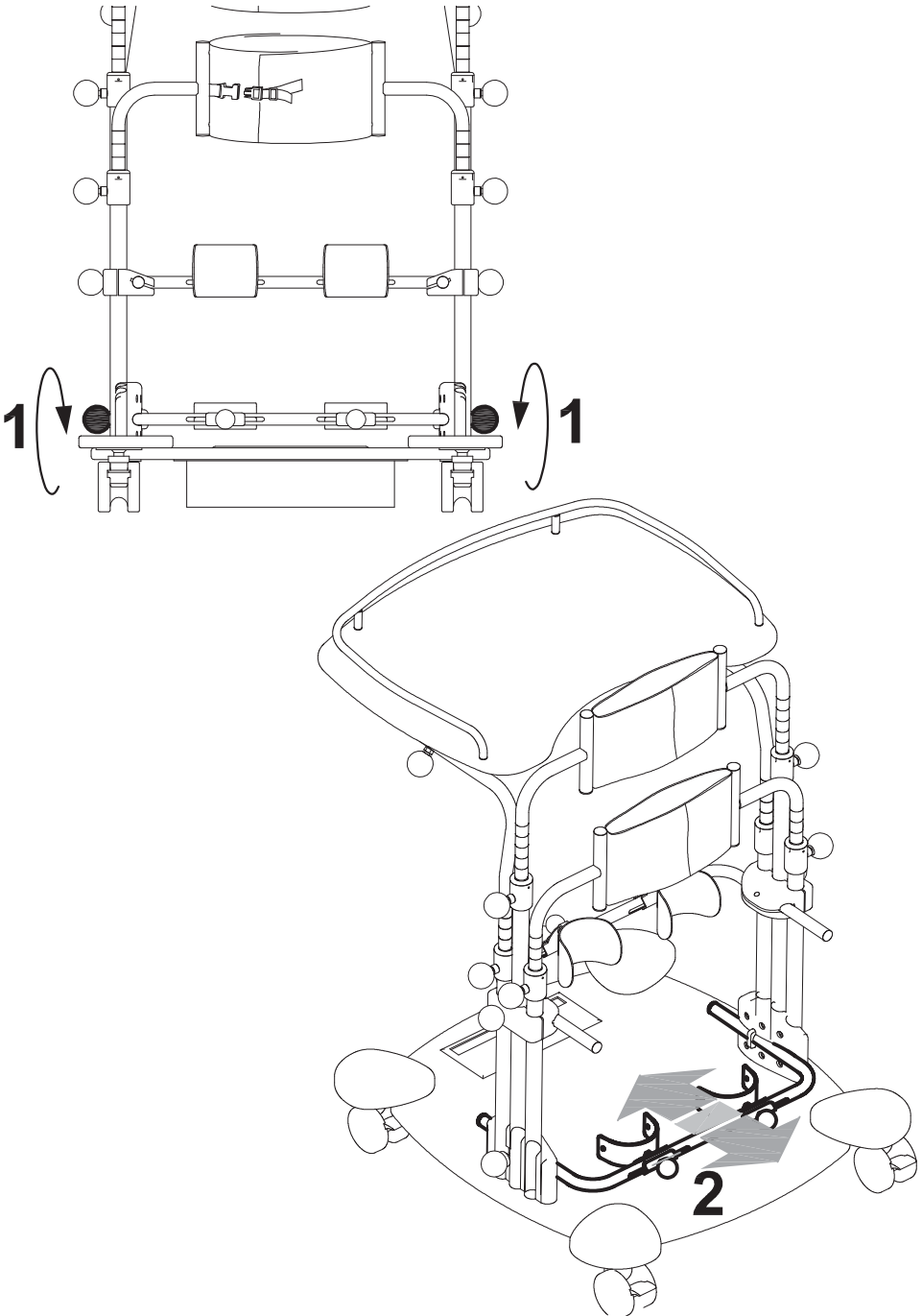
HOW TO BRAKE APP MULTISENSORIAL STANDING



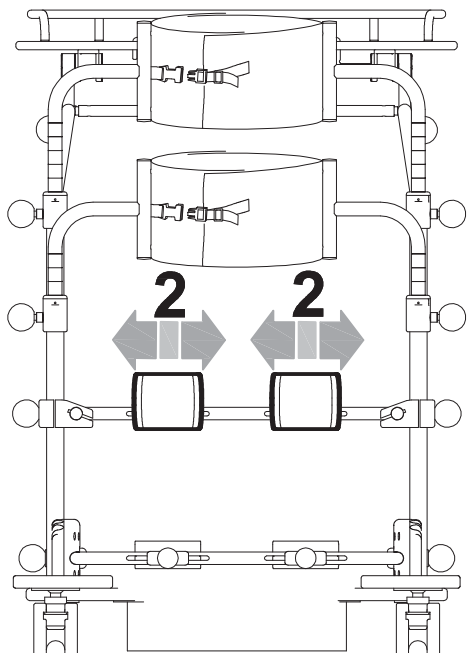
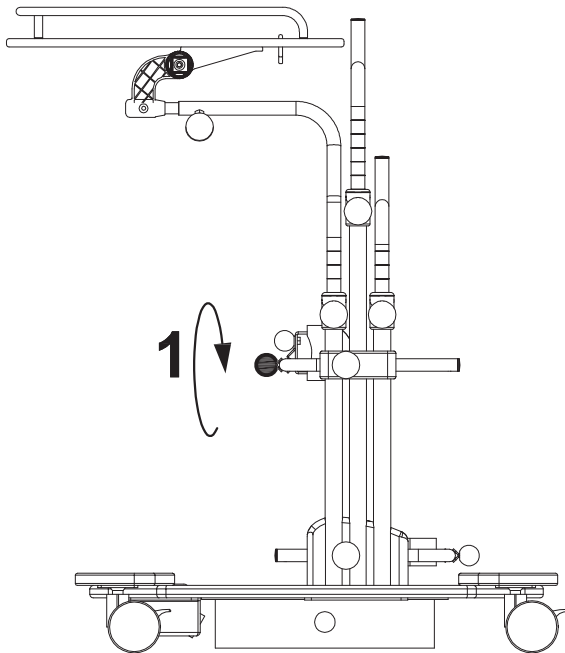
Adjustment of the HEELRESTS in WIDTH



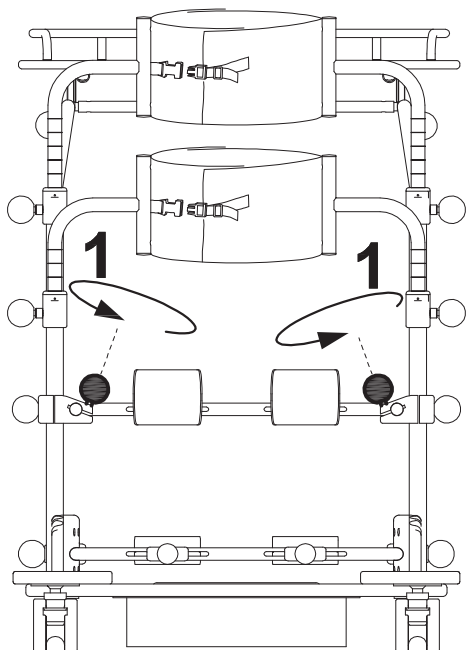
Adjustment of the HEELRESTS in DEPTH



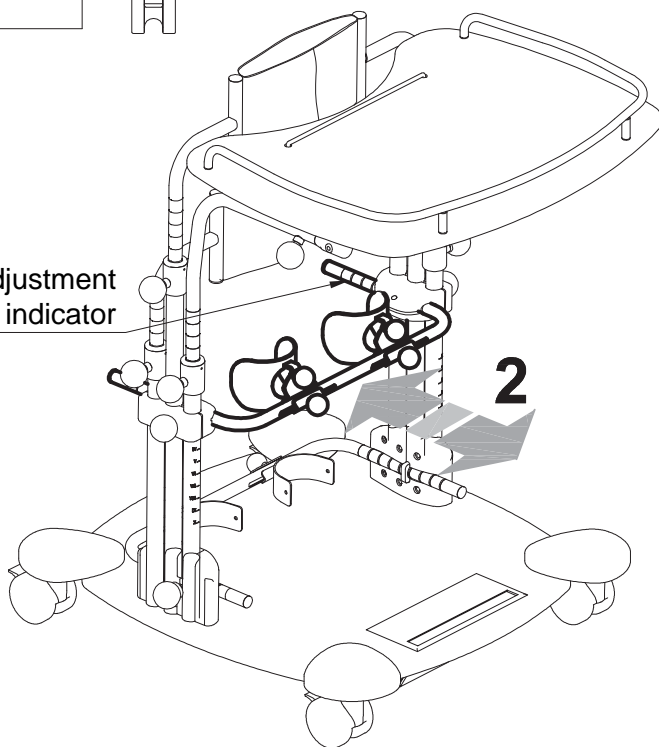
Adjustment of the KNEEPADS in WIDTH



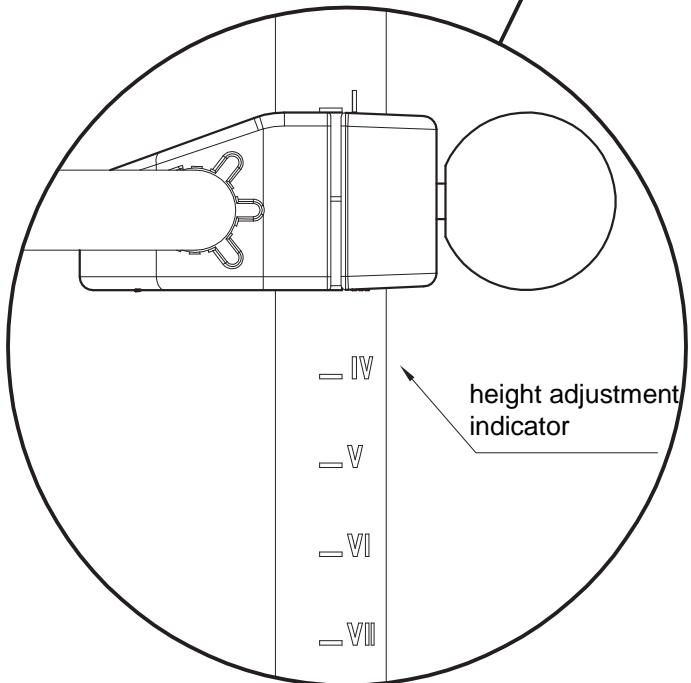
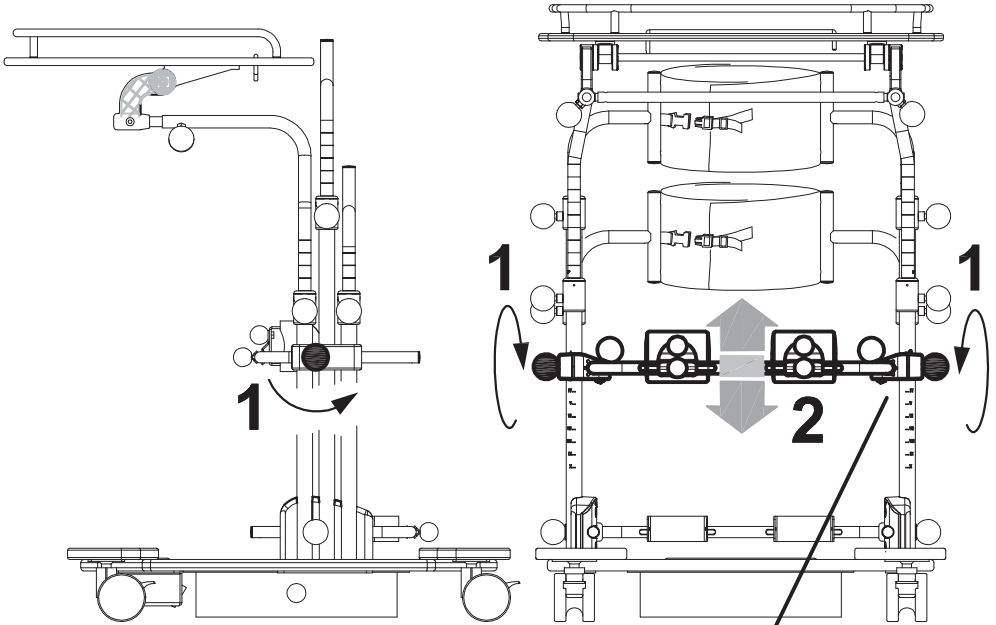
Adjustment of the KNEEPADS in DEPTH



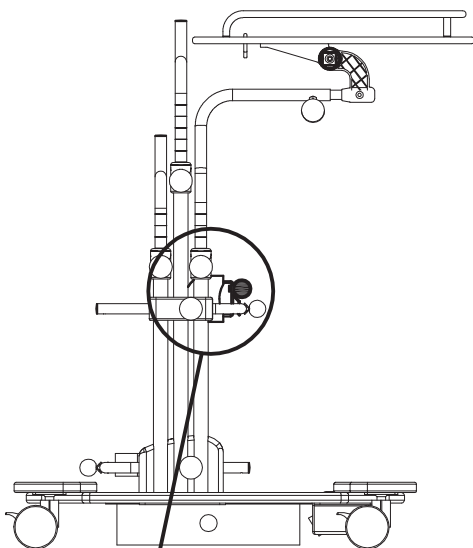
height adjustment
indicator



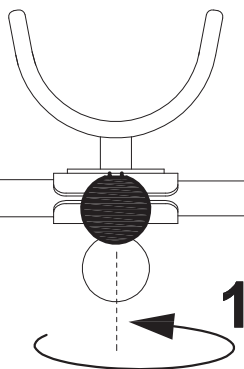
Adjustment of the KNEEPADS in HEIGHT



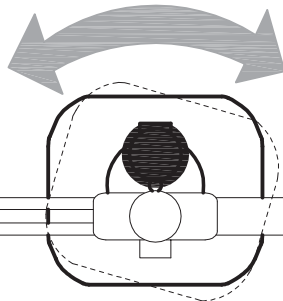
Adjustment of the KNEEPADS in a ROTATORY WAY



VIEW FROM ABOVE

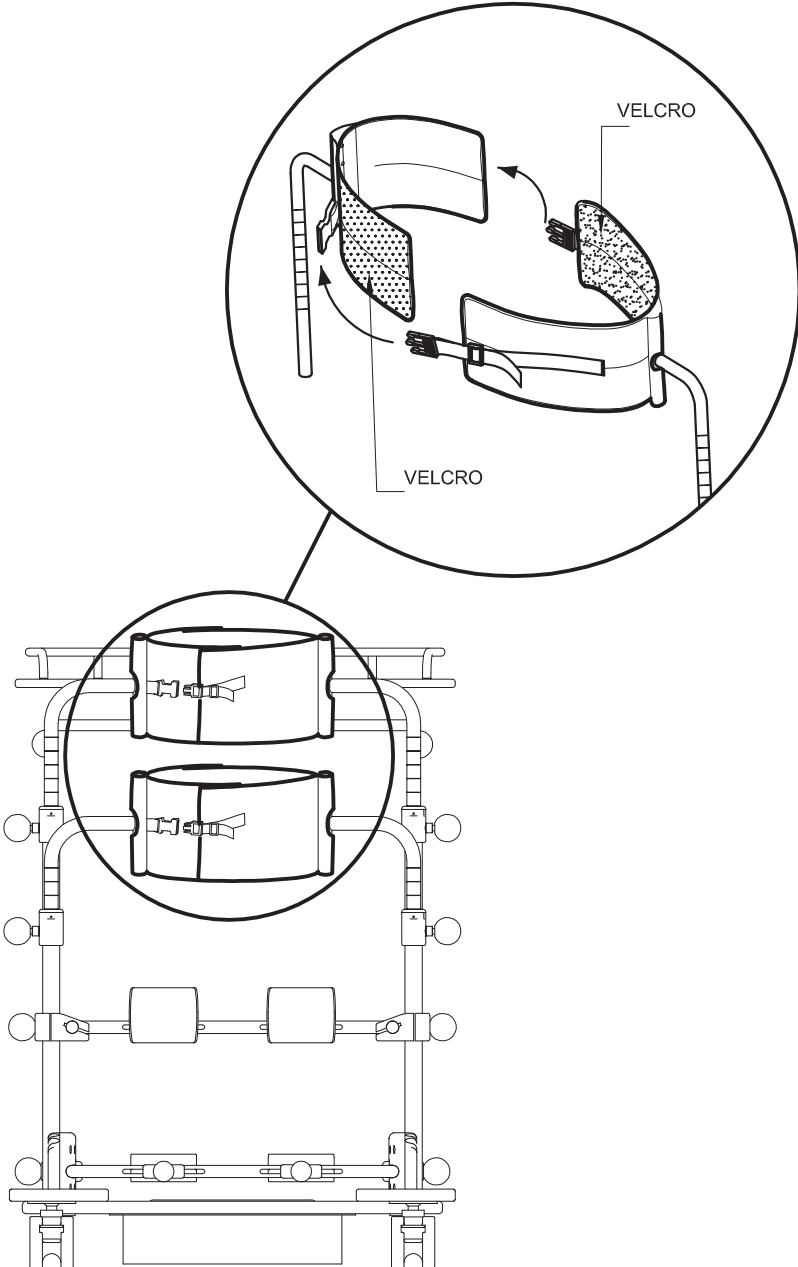


2

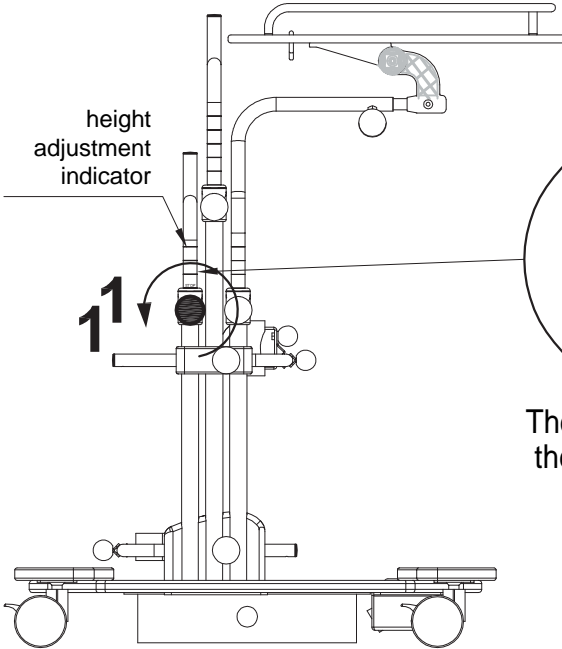


VIEW FROM THE BACK

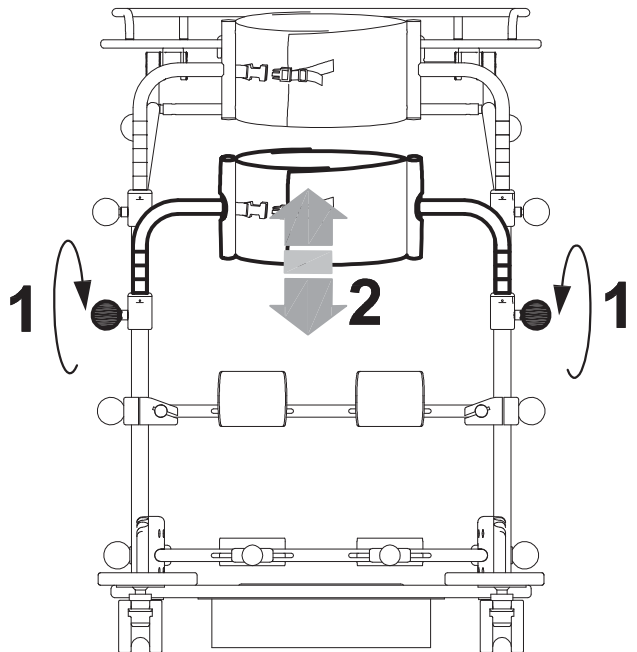
ADJUSTMENT of the THORACIC and PELVIC SUPPORT in its CIRCUMFERENCE



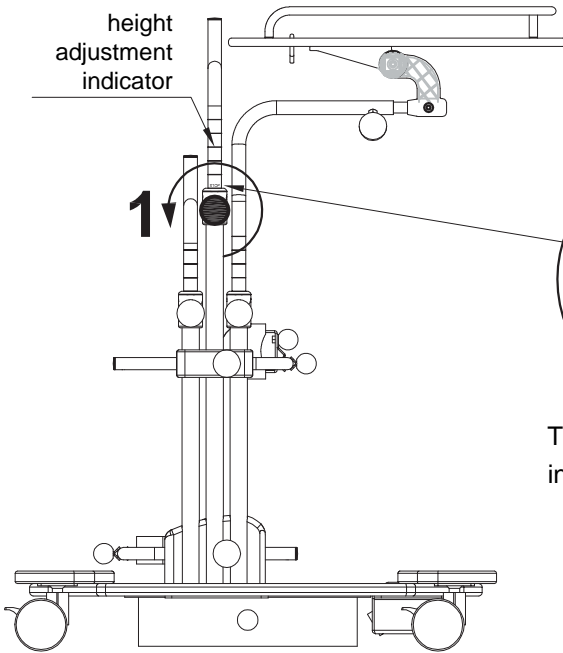
ADJUSTMENT of the PELVIC SUPPORT in HEIGHT



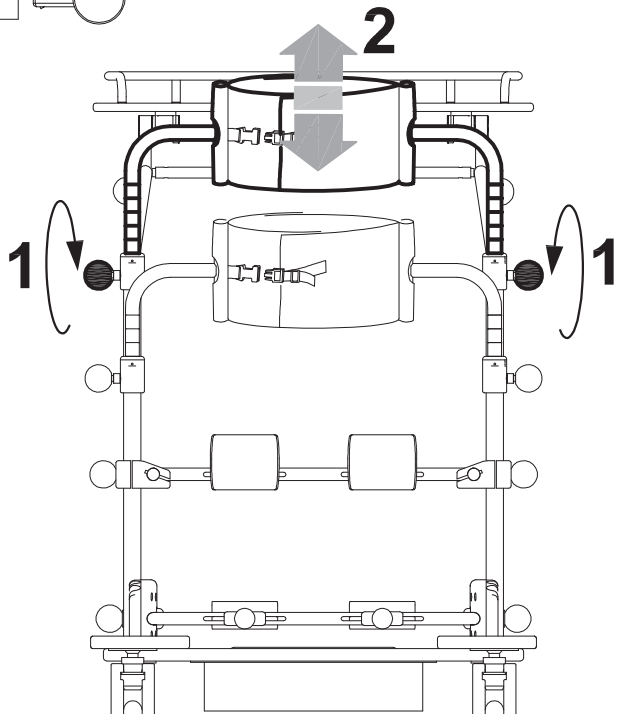
The **STOP** mark indicates the maximum height



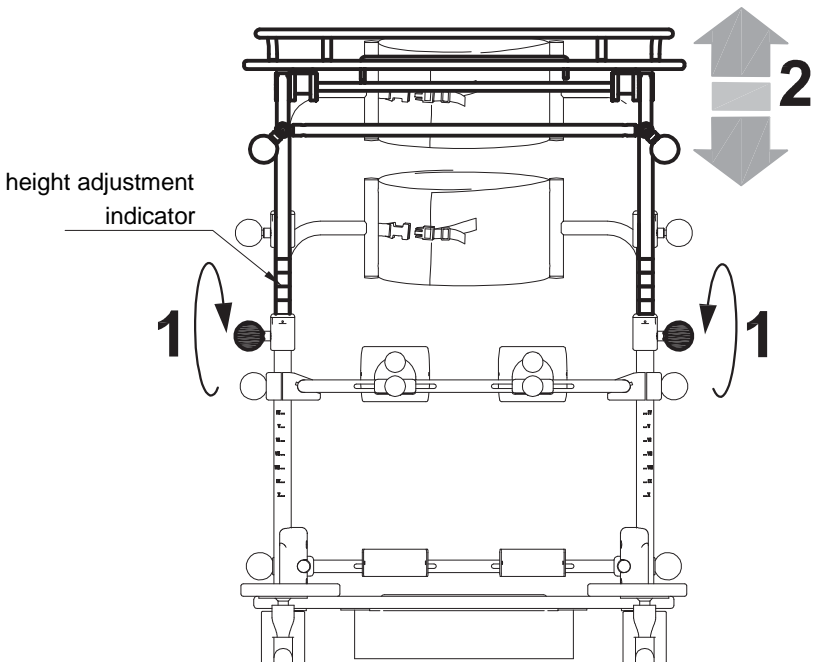
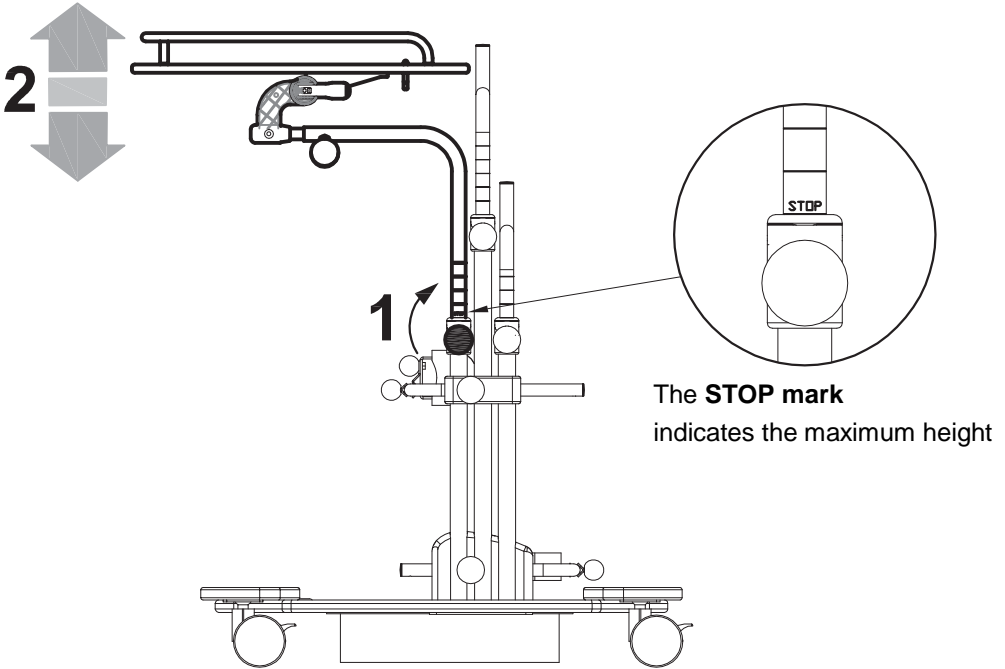
ADJUSTMENT of the THORACIC SUPPORT in HEIGHT



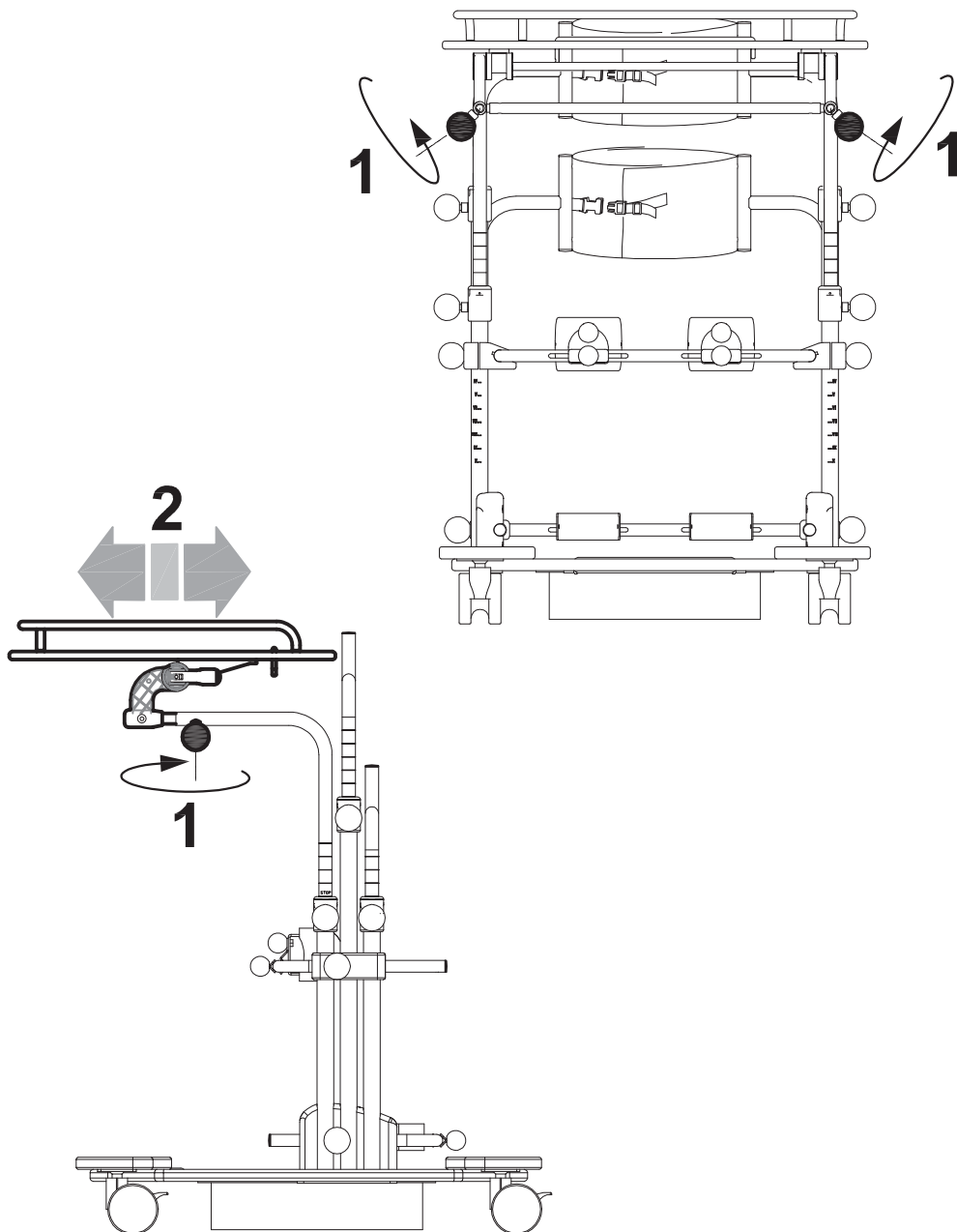
The **STOP** mark indicates the maximum height



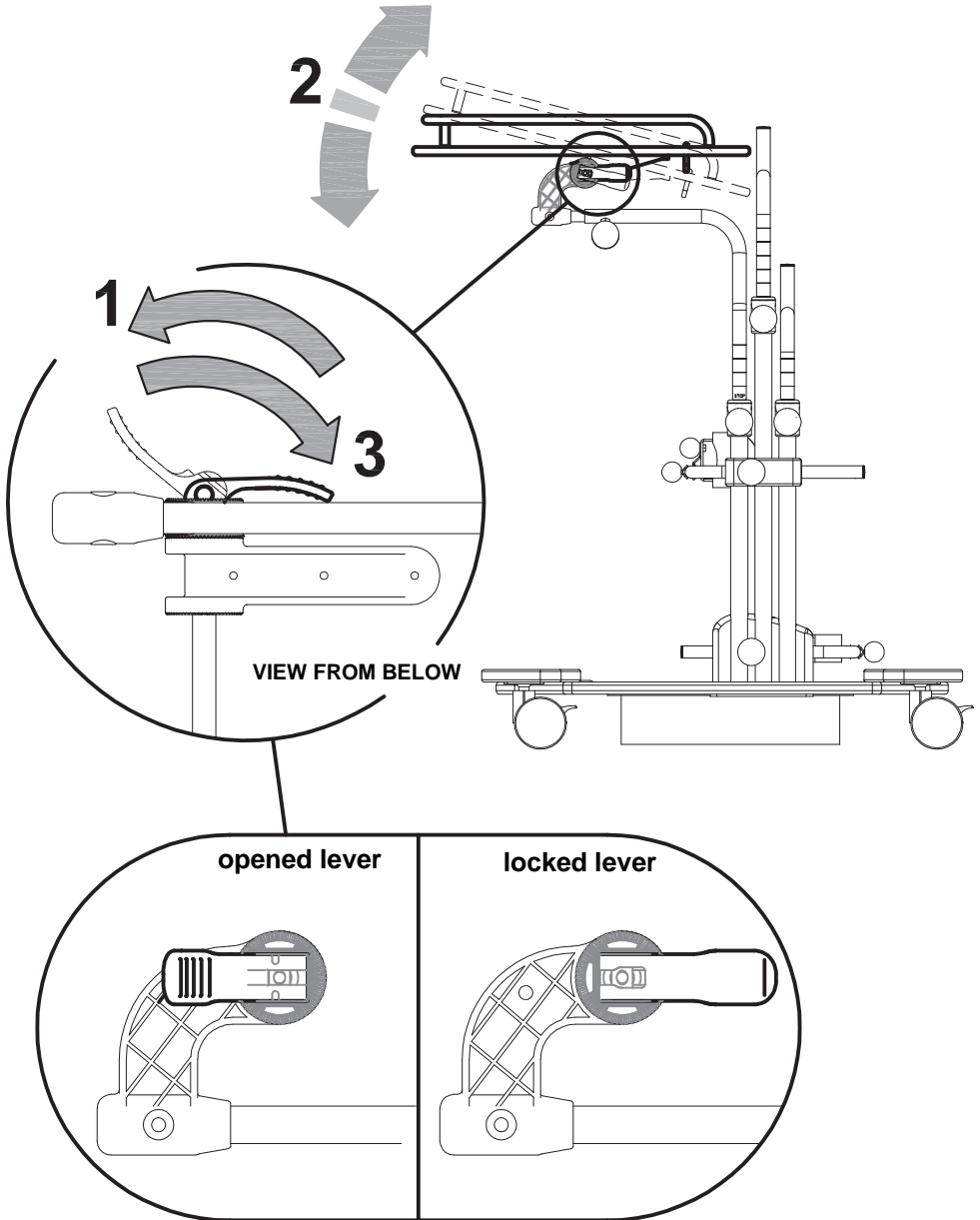
ADJUSTMENT of the TRAY in HEIGHT



ADJUSTMENT of the TRAY in DEPTH



ADJUSTMENT of the TRAY in TILT

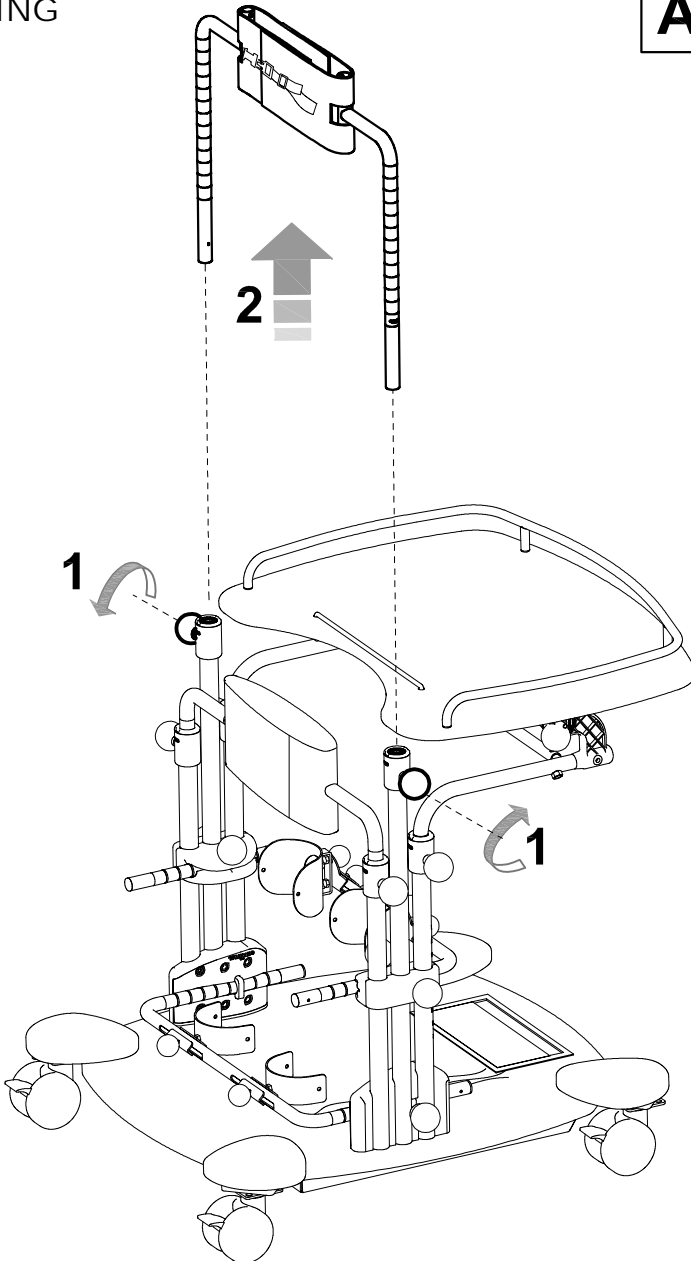


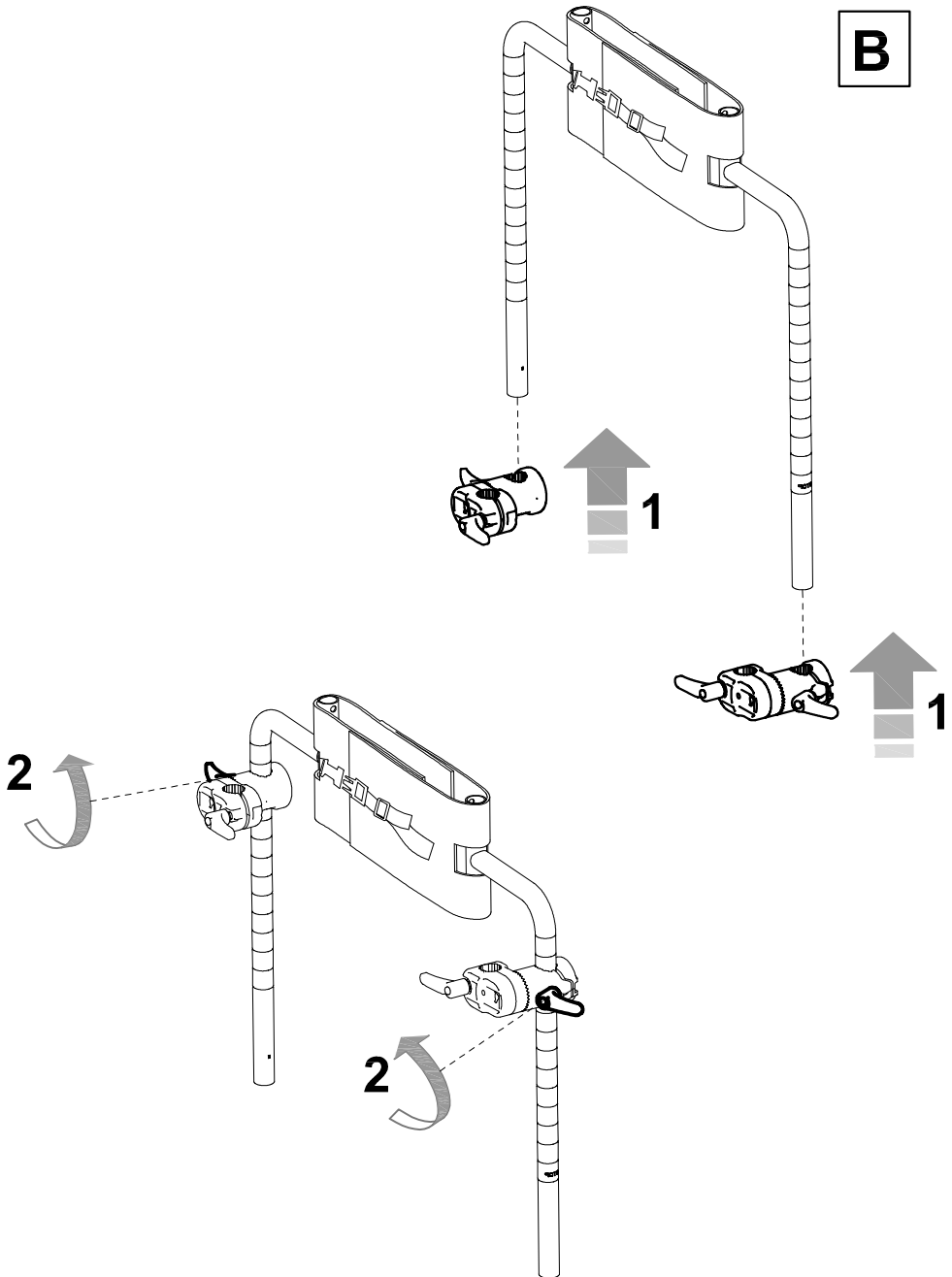
MOUNTING OF ACCESSORIES

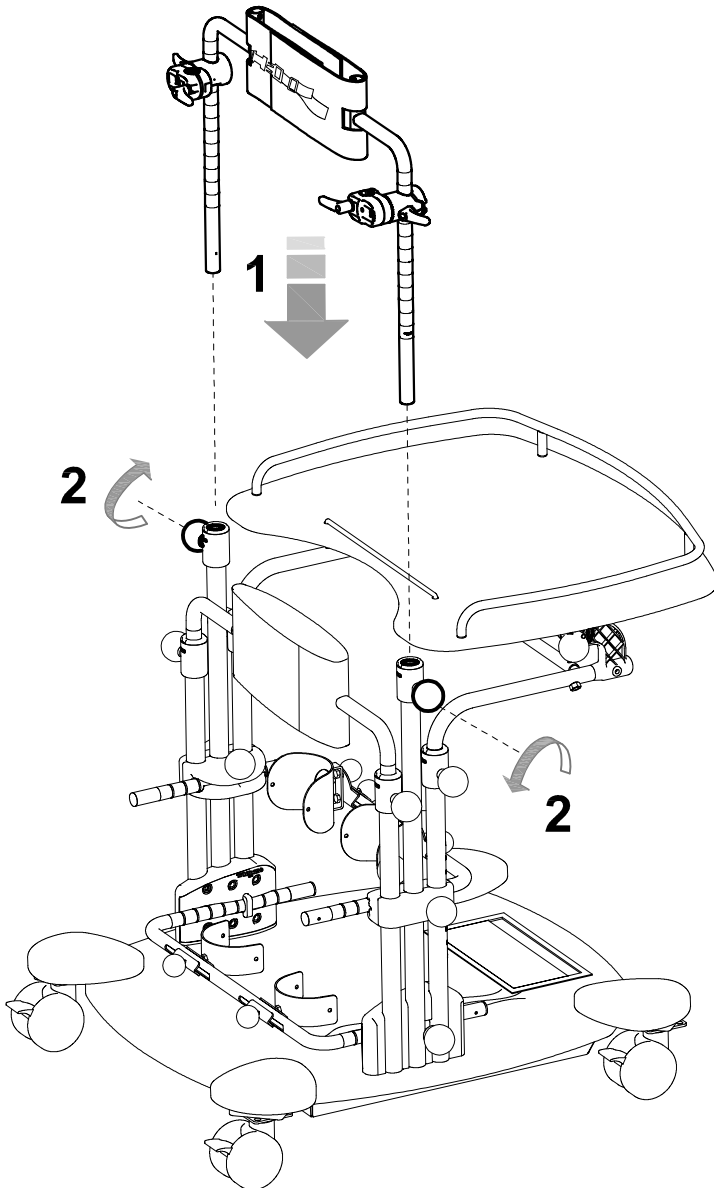
HEADREST 865

MOUNTING

A



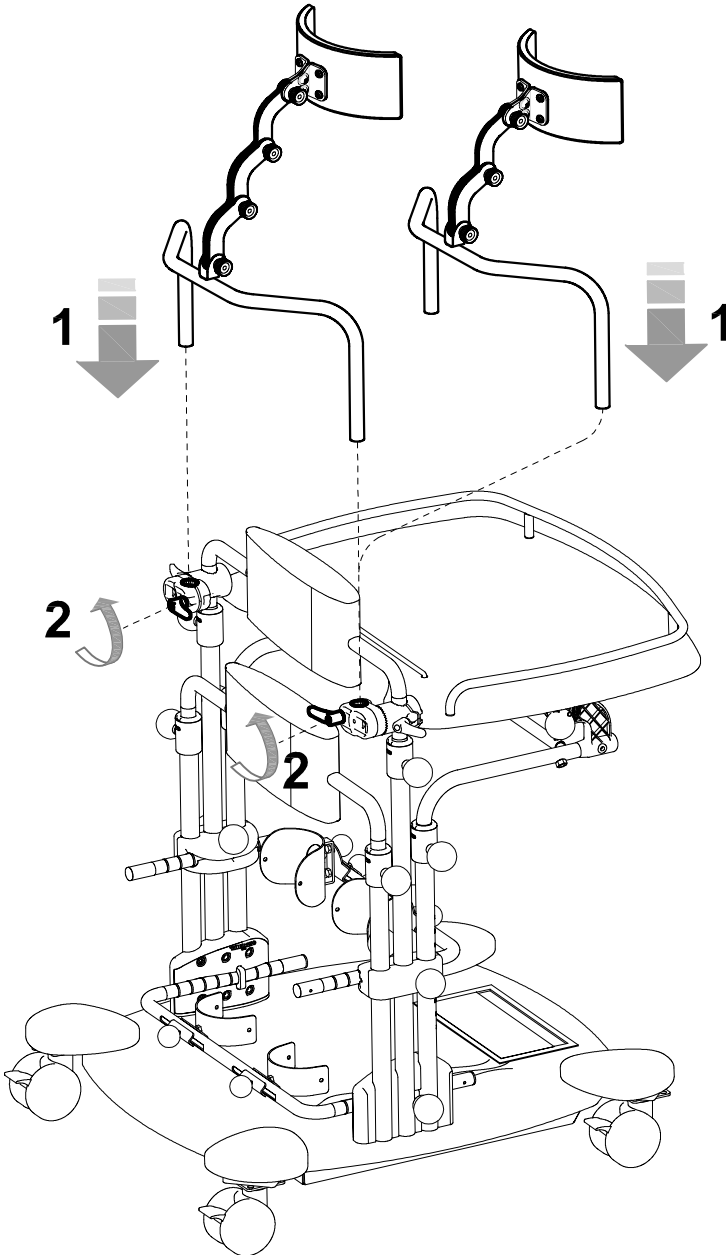




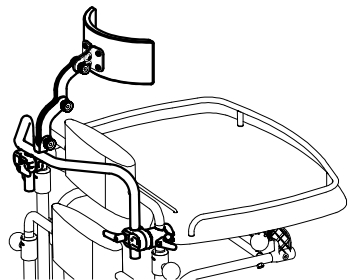
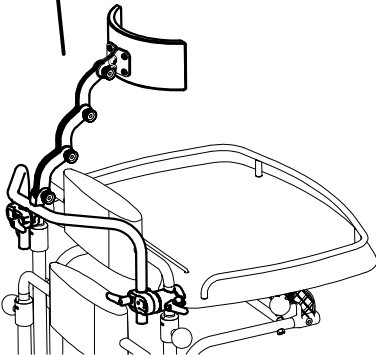
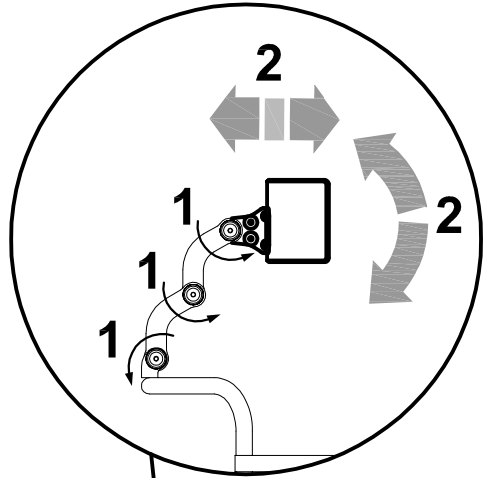
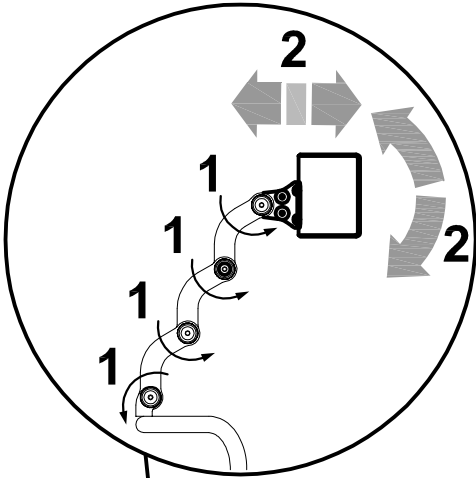
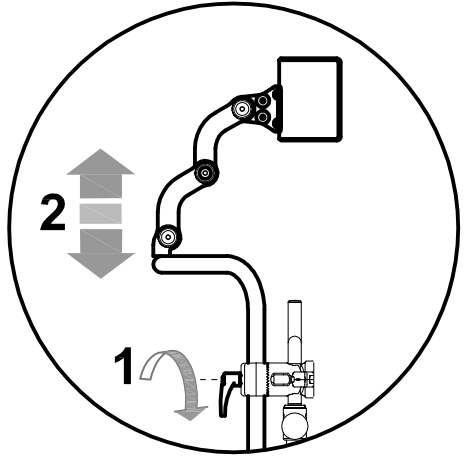
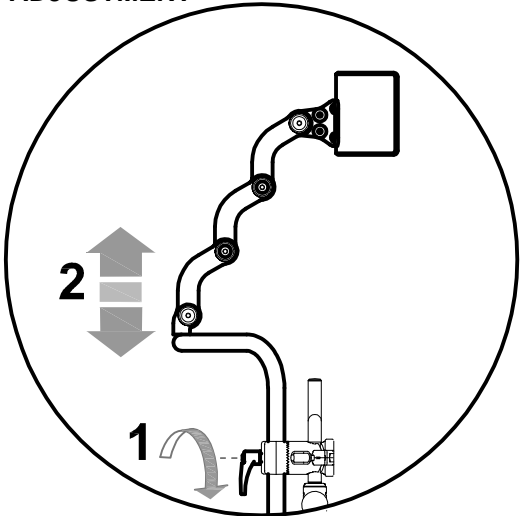
size 2-3

size 1

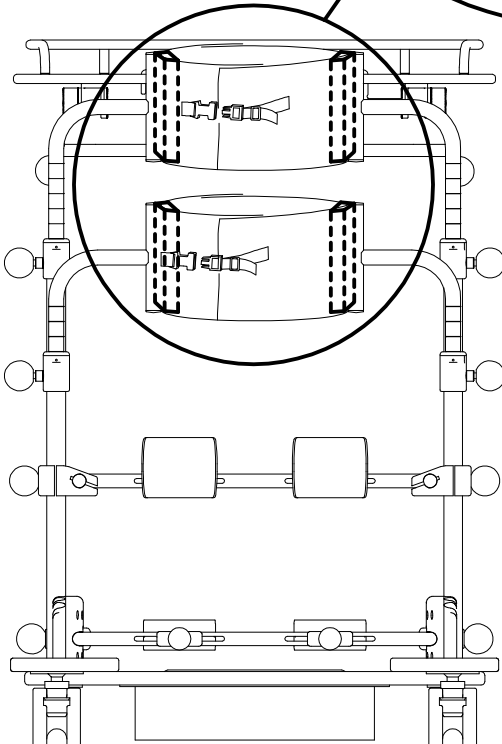
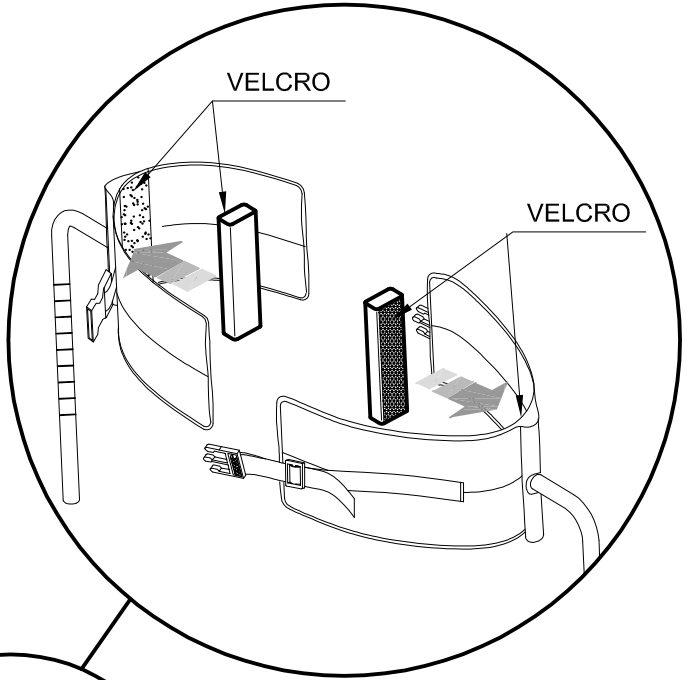
D



ADJUSTMENT



CIRCUMFERENCE REDUCTION PARTS 944



MAINTENANCE, CLEANING AND DISINFECTION OF APP MULTISEN-SORIAL STANDING

REGULAR (OR PREVENTIVE) MAINTENANCE)

REGULAR MAINTENANCE MUST BE PERFORMED ONCE A MONTH. REGULAR MAINTENANCE IS REQUIRED TO KEEP THE PRODUCT WORKING PROPERLY AND SAFELY AND IS ESSENTIAL FOR KEEPING THE **CE** MARK.

THE MANUFACTURER IS NOT LIABLE FOR THE PERFORMANCE OF THE PRODUCT UNLESS REGULAR MAINTENANCE IS PERFORMED (ATTACHMENT 1, DIRECTIVE 93/42/EEC). THE MANUFACTURER ALSO RECOMMENDS THAT YOU HAVE THE SUPPLIER PERFORM A COMPLETE REVIEW OF THE PRODUCT'S OPERATION AND SAFETY WITH THE FOLLOWING FREQUENCIES:

- 1) within 3 months from purchase;
- 2) within six months from purchase;
- 3) once a year after the first year from purchase

Clean and disinfect the device and its accessories regularly, following the instructions provided below.

CLEANING AND DISINFECTING THE VARNISHED AND CHROMIUM-PLATED FRAME

Clean and disinfect the varnished and chromium-plated parts of the aid with a soft cloth dipped in a household detergent and disinfectant, such as alcohol diluted in water.

DO NOT GREASE THE ADJUSTABLE PARTS.

CLEANING THE COVERS (padded parts)

Clean the covers with a soft cloth dipped in water with detergent and a neutral home disinfectant.

CLEANING THE TRAY AND THE FOOTBOARD

Clean the tray and the footboard with a soft cloth dipped in water with detergent and a neutral home disinfectant.

CLEANING THE CONTROL PANEL (positioned on the footboard)

Clean the control panel with a dry cloth

CLEANING THE WHEELS

Clean the wheels at least once a month by keeping them free from waste (threads, hair etc...) which can stick to them.

After cleaning, dry thoroughly with a soft cloth.



If you notice any **INEFFICIENCY**, even partial, of the **BRAKES**, **immediately contact the reseller where you purchased the product, who will determine whether they need to be repaired or replaced to avoid dangerous situations that could cause accidents.**



Do NOT perform maintenance or replace parts or accessories when the user is sitting on the device



Intensify all checks in marine environments, clean more often, anoint the parts exposed to salt corrosion (such as chrome, bolts and screws)

EXTRAORDINARY (OR CORRECTIVE) MAINTENANCE

EXTRAORDINARY MAINTENANCE MEANS ANYTHING DONE TO THE PRODUCT THAT IS NOT MENTIONED ABOVE.

WE RECOMMEND THAT THE USER, RETAILER AND HEALTH FACILITIES ENTRUST ALL EXTRAORDINARY OR CORRECTIVE MAINTENANCE TO THE MANUFACTURER OR OTHER FACTORY-AUTHORIZED SERVICE CENTRE.

ANY OTHER SOLUTION WILL RESULT IN THE USER AND THE THIRD-PARTY MAINTAINER FULLY RESPONSIBLE FOR THE RESULTS OF THEIR WORK AND THE MANUFACTURER WILL ONLY BE LIABLE FOR ORIGINAL DEFECTS OF MATERIALS OR WORKMANSHIP.



If the product is to be disposed of, it must be done according to the law in the country of destination

CUSTOMER SERVICE AND SPARE PARTS

Only contact the retailer where you purchased the product for service and replacement parts.

CONDITIONS FOR DURABILITY, REUSE AND REASSIGNMENT TO A NEW USER

Granted that Ormesa products should be selected, evaluated and ordered for the needs of an individual user, reuse is however possible with the respect the following conditions.

Based on the experience of other similar sold models, on technological progress, on the guarantees of the Quality Management System certificated in 1998 according to ISO 9001, there is adequate confidence that **the average lifespan of the APP MULTISENSORIAL STANDING is about 5 years, on condition that it is used according to the directions given in the user manual.**

Only when the conditions for storage and transport of chapter HOW TO STORE AND TRANSPORT THE MEDICAL DEVICE” are followed, the periods in which the product is stored at the dealer should not be considered in that time period

Factors unrelated to the product such as the development of the user, its diseases, the use and the surrounding environment can make significantly lower the duration of life of the product; on the contrary, if the indications on the use and maintenance are properly observed, the reliability of the product can extend well beyond the lifetime average above.

Prior to recycling or reassignment an already used Ormesa product, it is required that:

1. a doctor or therapist verifies that the aid is appropriate and adequate to meet the dimensional, functional and postural needs of the new user, and if all its components are suitable / appropriate for him. You should also consider that the CE-marking and the manufacturer's responsibility for safety requirements for the product remain only if the original product still has not changed and only original accessories or spare parts have been applied
2. qualified technical personnel of a company specialized in the maintenance of technical aids for disabled people performs a detailed technical inspection to verify its condition and wear, the absence of any damage and failure of all components / adjustments, the presence of the user's manual, of the label with the date and serial number. A copy of the manual and maintenance may be always requested to the retailer that supplied the product or directly to Ormesa
3. The product has been thoroughly cleaned and disinfected following the directions given in the “MAINTENANCE, CLEANING AND DISINFECTION” Chapter

We recommend you keep written records on all inspections performed on the product before any assignment to the new user.



In case of doubt about the safety of the product or damage to parts or components, you are urged to immediately discontinue use and contact a specialized service center in the maintenance of mechanical aids for disable, or directly ORMESA



Via A. Da Sangallo, 1 Paciana 06034 FOLIGNO PG ITALY



COMPANY WITH QUALITY
MANAGEMENT SYSTEM
CERTIFIED BY
= ISO 9001 =



Authorized Dealer

The technical Data and information given in this handbook are not binding. ORMESA reserves the right to carry out any necessary change without prior notice or replacements
