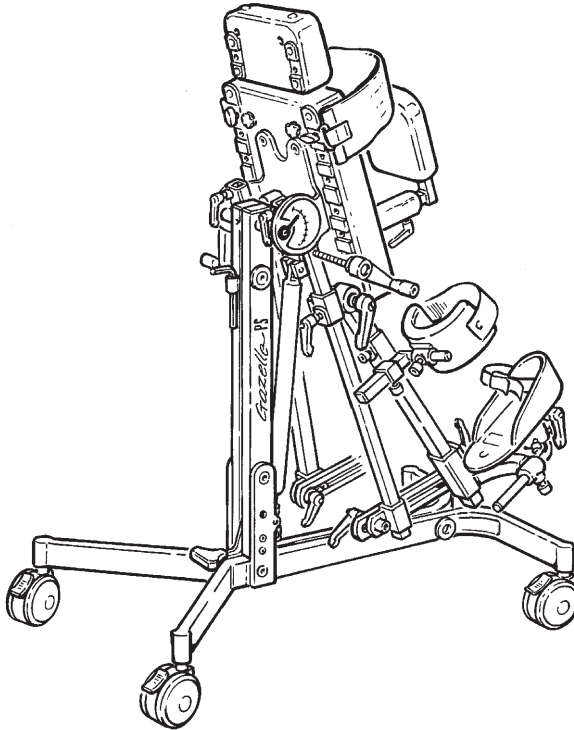




90° - 15°








<80 kg 176.4 lb)

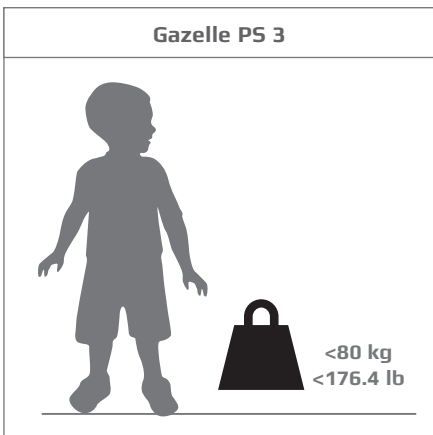
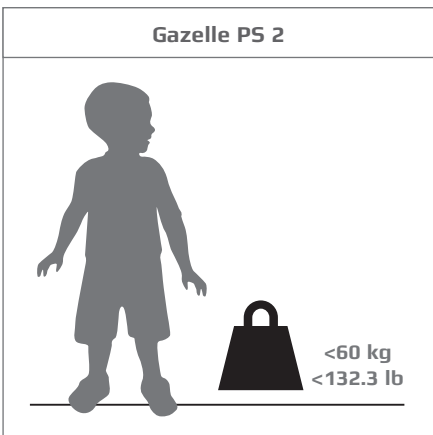
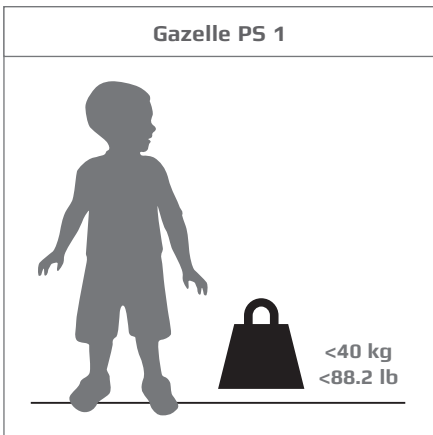
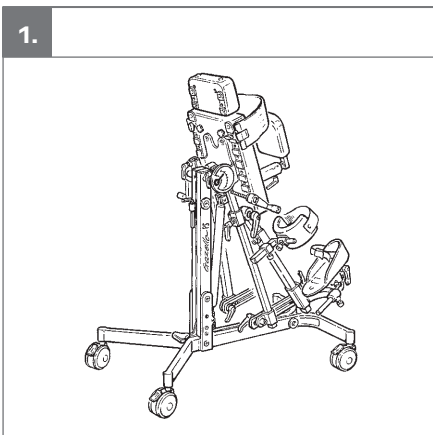


Gazelle PS User Guide

EN 12182


2020-11 - rev.13

	3	ENGLISH DEUTSCH	10-19 20-29
	3	NEDERLANDS DANSK	30-39 40-49
	4	NORSK SVENSKA	50-59 60-69
mm (inch)	5	SUOMI ESPAÑOL	70-79 80-89
	6	FRANÇAIS ITALIANO	90-99 100-109
	7 - 9	PORTUGUÊS ČESKY	110-119 120-129




A



Product: xxxx - Size x
 Art. no.: xxxxxxxx Max user mass: xxx kg
 [] XXXXXXXX
 DMR ver.: XXXX Mass device: xxx kg
 Max rated load: xxx kg





(xxx)xxxxxx(000000)xxxx(00)xxxxxx(00)xxxxxx

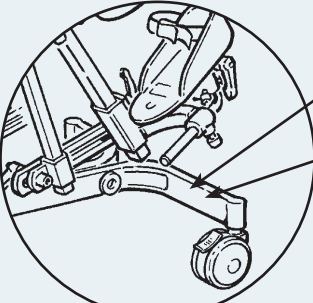
B

R82[®] 

by Etac  

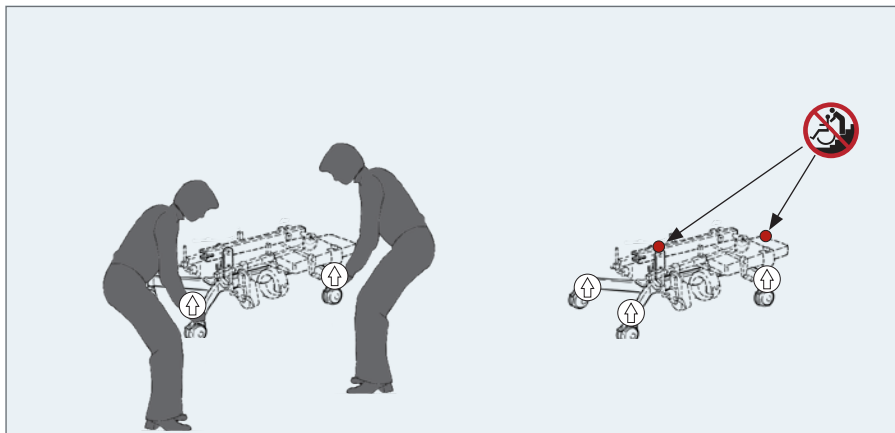
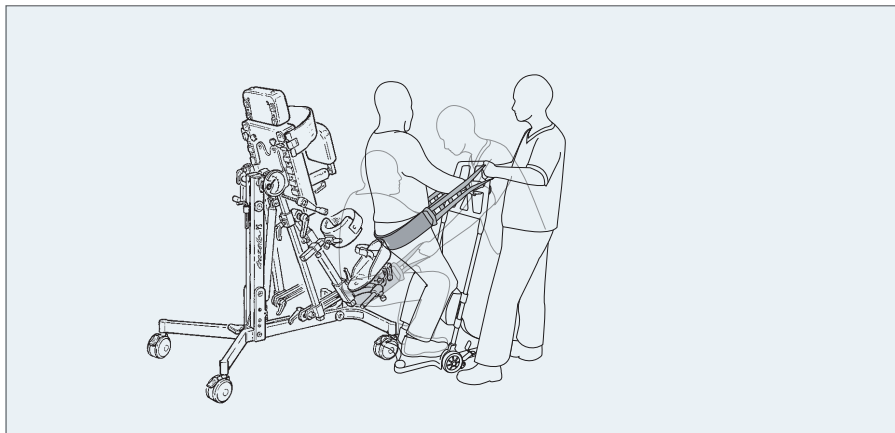
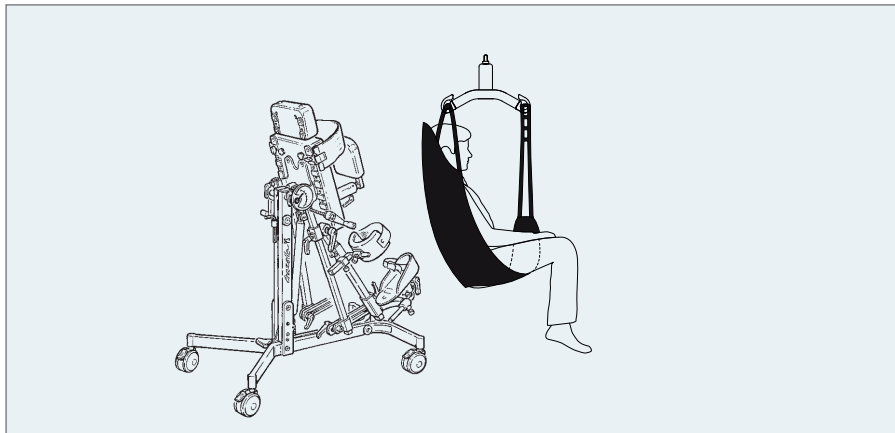
R82 A/S Parallevej 3
 DK-8751 Gedved
 etac.com 

Made in XXXXXXXX YYY-MM-DD 














A

B



mm (inch)

	 1	 2	 3
 Overall width	480 (19")	580 (23")	650 (26")
 Length	760 (30")	880 (35")	990 (35")
 Overall height, horizontal	760 (30")	800 (35")	900 (35")
 User height, floor to axil	450 - 950mm (18 - 37")	600 - 1050 mm (24 - 41")	700 - 1250 mm (28 - 49")
 Angle board	90 - -15°	90 - -15°	90 - -15°
 Max load	40 kg (88.2 lb)	60 kg (132.3 lb)	80 kg (176.4 lb)
 Total mass	20 kg (44 lb)	22 kg (48 lb)	24 kg (53 lb)
 Max rated load	62 kg (136.6 lb)	84 kg (185.1 lb)	106 kg (233.6 lb)



9996097100

N/A



9996097119

N/A



9996097120

N/A



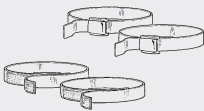
9996097220

N/A



9996097268

N/A



9996097605

N/A



9996097641

N/A

N/A

N/A

**EN:** For indoor use**NO:** For innendørs bruk**FR:** Utilisation intérieur**RU:** Для использования в помещении**JP:** 屋内使用**DE:** Für den Innengebrauch**SV:** För inomhusbruk**IT:** Per uso interno**PL:** Do użytku wewnątrz**GR:** Κατάλληλο για εσωτερική χρήση**NL:** Voor binnenhuis gebruik**FIN:** Sisäkäyttöön**PT:** Para utilização em interiores**CZ:** Pro vnitřní používání**DK:** Til indendørs brug**ES:** Para uso en interiores**BR:** Para uso interno**SN:** 适用于室内使用**EN:** Consult instructions. The latest version of the instructions is always available on the etac website and can be printed in larger sizes**NO:** Sjekk bruksanvisning på nett. Nyeste versjon av bruksanvisningen er alltid tilgjengelig, og kan skrives ut fra etac nettsted**FR:** Se reporter aux instructions / consulter les instructions. La version la plus récente est toujours disponible et peut être imprimée dans un grand format à partir du site internet de etac**RU:** Прочитайте инструкции. Новейшая версия инструкций всегда доступна на веб-сайте компании etac и может быть распечатана в увеличенном размере**JP:** 説明をお読みください。この説明の最新バージョンは、etac の Web サイトからいつでもご利用いただけます。大きなサイズで印刷することができます**DE:** Bedienungsanleitung. Die neueste Version der User Guide ist auf der etac Internetseite verfügbar und steht zum Download bzw. Ausdruck zur Verfügung**SV:** Se anvisningarna. Den senaste versionen av anvisningarna finns alltid tillgänglig och kan skrivas ut i större storlek från etacs webbplats**IT:** Leggere le istruzioni. Le ultime versioni dei manuali di istruzione sono sempre disponibili sul sito web etac e possono essere stampate in dimensioni maggiori**PL:** Zapoznanie się z instrukcją. Najnowsze wersje instrukcji obsługi są dostępne na stronie internetowej etac i można je wydrukować w większych formatach**GR:** Διαβάστε τις οδηγίες. Οι τελευταίες εκδόσεις των οδηγιών είναι πάντοτε διαθέσιμες στην ιστοσελίδα της etac και μπορούν να εκτυπωθούν σε μεγαλύτερα μεγέθη**NL:** Raadpleeg de instructies. De meest recente versie van alle instructies zijn altijd beschikbaar en kunnen worden afgedrukt in de groter formaat vanaf de etac website**FIN:** Lisäohjeet. Viimeisin versio kaikista ohjeista on aina saatavilla ja tulostettavissa etac nettisivustolta**PT:** Leia as instruções. As últimas versões das instruções estão sempre disponíveis na página da etac na internet e podem ser impressas em tamanhos maiores**CZ:** Poradenství a instrukce. Nejaktuálnější verze všech instrukcí je vždy dostupná na webu etac, odkud se dá stáhnout a i vytisknout**DK:** Se vejledning. Den seneste version af denne vejledning er altid tilgængelig og kan udskrives i større størrelser fra etac hjemmeside**ES:** Consulte las instrucciones. La última versión de todas las instrucciones está siempre disponible y se puede imprimir en tamaños superiores desde la página web de etac**BR:** Leia as instruções. As versões mais recentes das instruções sempre encontram-se disponíveis no site da etac e podem ser impressas em tamanhos maiores**SN:** 参考说明。所有说明的最新版都能够在etac网络上下载或打印**EN:** Correct lifting point**NO:** Riktig løftpunkt**FR:** Point de levée approprié**RU:** Надлежащая точка подъема**JP:** リフティング・ポイントの修正**DE:** Korrekter Hebepunkt**SV:** Korrekt lyftpunkt**IT:** Punto di sollevamento corretto**PL:** Prawidłowy punkt podnoszenia**GR:** Σωστό σημείο λαβής**NL:** Correcte techniek van optillen**FIN:** Oikea nostopiste**PT:** Corrija o ponto de elevação**CZ:** Správný zvedací bod**DK:** Korrekt løftepunkt**ES:** Punto de elevación correcto**BR:** Ponto de elevação correto**SN:** 请调整吊点



EN: Warning: This symbol appears in the User Guide along with a number referring to the instructions below. It draws attention to situations where the product or the user or carer's safety may be in danger
01 = Entrapment Hazards
02 = Tilting Hazards
03 = Transportation in motor vehicles
05 = Squeezing Hazard

NO: Advarsel: Dette symbolet blir vist i brukerveiledningen sammen med et tall som henviser til instruksjonene under. Det gjør oppmerksom på situasjoner der produktet eller brukernes/omsorgytrens sikkerhet kan være truet
01 = Fare for å bli sittende fast
02 = Vippefare
03 = Transport i motorkjøretøyer
05 = Klemfare

FR: Avertissement: Ce symbole apparaît dans le guide de l'utilisateur avec un numéro faisant référence aux instructions ci-dessous. Il attire l'attention sur les situations dans lesquelles la sécurité du produit ou de l'utilisateur ou du soignant peut se trouver compromise
01 = Risques de coincement
02 = Risques à la bascule
03 = Transport à bord de véhicules motorisés
05 = Risques de pincement

RU: Предупреждение: Данное обозначение указывается в руководстве по эксплуатации вместе с номером, который относится к нижеприведенным инструкциям. Оно используется для привлечения внимания к ситуациям, в которых существует опасность для изделия, пользователя или лица, осуществляющего уход за пользователем
01 = Риск защемления
02 = Наклонное положение
03 = Передвижение в транспортных средствах
05 = Риск сжатия

JP: 警告: この記号は、以下の説明を示す番号と共にユーザーガイドに表示されています。これは、製品やユーザーまたは介護者が危険にさらされる状況について、注意を喚起します。
01 = 挟まる危険
02 = 傾斜させる際の危険
03 = 自動車内の輸送
05 = 圧迫の危険

DE: Warnung: Dieses Symbol erscheint in der Bedienungsanleitung zusammen mit einer zu den nachfolgenden Anleitungen gehörenden Nummer. Sie lenkt die Aufmerksamkeit auf Situationen, die für das Produkt oder den Betreuer ein Sicherheitsrisiko darstellen können.
01 = Gefahr durch Einklemmen
02 = Kippgefahr
03 = Warnhinweise! - Beförderung in Kraftfahrzeugen
05 = Gefahr durch Quetschen

SV: Varning: Den här symbolen används i handboken tillsammans med ett nummer som hänvisar till instruktionerna nedan. Den uppmärksammar på situationer som kan utgöra en säkerhetsrisk för produkten, användaren eller vårdgivaren.
01 = Risk att fastna
02 = Tipprisk
03 = Transport i fordon
05 = Klämrisk

PT: Avvertenza: Questo simbolo viene utilizzato nel Manuale Utente con un numero di riferimento alle istruzioni riportate di seguito. Richiama l'attenzione alle situazioni in cui la sicurezza del prodotto, dell'utente o dell'operatore potrebbe essere in pericolo
01 = Pericolo di incastro
02 = Pericoli durante la reclinazione della seduta
03 = Trasporto nei veicoli a motore
05 = Pericolo di schiacciamento

PL: Ostrzeżenie: Ten symbol pojawia się w podręczniku obsługi wraz z numerem odnoszącym się do poniższych instrukcji. Zwraca on uwagę na sytuacje, w których bezpieczeństwo produktu, użytkownika lub opiekuna może być zagrożone.
01 = Ryzyko uwięzienia
02 = Zagrożenia przechyłu
03 = Transport w pojazdach silnikowych
05 = Ryzyko zmiążdżenia

NL: Waarschuwing: Dit symbool staat in de gebruiksaanwijzing samen met een getal dat naar de hieronder vermelde instructies verwijst. Het vestigt de aandacht op situaties waarin het product, de gebruiker of de veiligheid van derden in gevaar kan zijn.
01 = Gevaar voor beknelling
02 = Kantelgevaar
03 = Vervoer in motorvoertuigen
05 = Gevaar voor samendrukken

FIN: Varoitus: Tämä symboli näkyy käyttöohjeessa yhdessä numeron kanssa, joka viittaa jäljempänä näkyviin ohjeisiin. Sen avulla kiinnitetään huomiota tilanteisiin, joissa tuote tai käyttäjän tai hoitajan turvallisuus voi vaarantua.
01 = Juuttumisvaarat
02 = Vaarat kallistettaessa
03 = Kuljettaminen moottoriajoneuvoissa
05 = Puristumisvaara

PT: Aviso: Este símbolo aparece no Guia do Utilizador juntamente com um número a remeter para as instruções abaixo. Chama a atenção para situações em que possa estar em risco a segurança do produto, do utilizador ou do prestador de cuidados.
01 = Riscos de armadilha
02 = Perigos de basculação
03 = Transporte nos veículos motorizados
05 = Riscos de compressão

CZ: Upozornění: Tento symbol je uveden v uživatelské příručce spolu s číslem odkazujícím na níže uvedené ilustrace. Upozorňuje na situace, které mohou ohrozit bezpečnost produktu, uživatele nebo pečovatele.
01 = Nebezpečí zachycení
02 = Riziko při naklápění
03 = Přeprava v motorových vozidlech
05 = Nesprávné použití

DK: Advarsel: Dette symbol vises i brugervejledningen sammen med en nummerhenvisning til nedenstående instruktioner. Det henleder opmærksomheden på situationer, hvor produktet, brugeren eller plejers sikkerhed kan være i fare

01 = Risiko for fastklemning
02 = Fare for tilt af produkt
03 = Transport i motorkøretøjer
05 = Risiko for klemning

ES: Advertencia: Este símbolo aparece en la Guía del usuario junto con un número de referencia a las siguientes instrucciones. Llama la atención sobre situaciones en las que el producto o el usuario o la seguridad del cuidador pueda estar en peligro
01 = Riesgos de atrapamiento
02 = Peligro de vuelco
03 = Transporte en vehículos
05 = Riesgo de aplastamiento

BR: Advertência: Este símbolo aparece no Manual do Usuário, juntamente com um número relacionado às instruções abaixo. Ele serve para indicar situações nas quais a segurança do produto, do usuário ou do cuidador possa estar comprometida.
01 = Riscos de armadilha
02 = Perigos da Inclinação
03 = Transporte nos veículos motorizados
05 = Riscos de compressão

SN: 警告
在用户指南中该符号同数字一起出现，指示下方所列的各种说明。其目的是唤起对产品、用户或照管者可能处于危险的注意
01 = 卡住危险
02 = 倾斜危险
03 = 汽车运输
05 = 挤压危险

GR: Προειδοποίηση: Αυτό το σύμβολο εμφανίζεται στις οδηγίες χρήσης συνοδευόμενο από έναν αριθμό που αναφέρεται στις παρακάτω οδηγίες. Εμφιστά την προσοχή σε καταστάσεις στις οποίες ενδέχεται να υφίσταται κίνδυνος για την ασφάλεια του προϊόντος, του χρήστη ή του φρονιτή
01 = Κίνδυνος παγίδευσης
02 = Κίνδυνος ανατροπής
03 = Μεταφορά σε μηχανοκίνητα οχήματα
05 = Κίνδυνος συμπίεσης



EN: Prohibition: Incorrect lifting points, especially on stairs

NO: Forbudt! Ikke dra/løft stolen i kjørehåndtakene, spesielt ikke i trapper

FR: Interdiction: N'utilisez pas la barre de poussée pour tirer/soulever le fauteuil, notamment dans les escaliers

RU: Запрещено! Не тяните/поднимайте кресло-коляску за ручку, особенно на ступеньках

JP: 禁止: ブッシュプレスを持って、シートを引っ張ったり、持上げたりしないでください。(特に階段使用時)

DE: Achtung: Ziehen oder heben Sie den Rollstuhl, insbesondere auf Treppen, nicht mit dem Schiebebügel bzw. den Schiebegriffen

SV: Förbud: Dra/lyft inte stolen genom att hålla i körbygeln, framför allt inte i trappor

IT: Attenzione: Non tirare o sollevare la carrozzina con il maniglione di spinta, soprattutto sulle scale

PL: Zakaz: Nie ciągnąć/podnosić wózka za uchwyty do prowadzenia, w szczególności na schodach

GR: Απογόρευση: Μην τραβείτε/ανασηκώνετε το αμαξίδιο μέσω της χειρολαβής ώθησης, ειδικά σε σκάλες

NL: Waarschuwing: Onjuiste otilpunten, vooral op de trap.

FIN: Kielletty: Älä vedä/nosta tuolia työntötangosta, etenkaan portaissa

PT: Proibição: Não puxe ou levante a cadeira pelo push de impulso, especialmente em escadas

CZ: Zákaz: Netahejte a nezvedejte podvozek za vzpěru, zvláště ne na schodech

DK: Forbud: Forkerte løftepunkter, især ved løft på trapper

ES: Prohibición: No tire hacia arriba ni levante la silla sujetándola del asa de empuje, especialmente en las escaleras

BR: Proibido: Não puxe ou levante a cadeira pela alça de condução, especialmente em escadas

SN: 禁止: 不要用推杆拉或提升椅子, 尤其在阶梯上时。



EN: Warewashing machine

NO: Desinfiseringsmaskin

FR: Machine à laver

RU: Посудомоечная машина

JP: 器具洗浄機

DE: Spezialwaschmaschine (für Rehaprodukte)

SV: Rengöring av produkten i maskin

IT: Lavastoviglie industriale

PL: Zmywarka

GR: Πλυντήριο εξοπλισμού

NL: Vvattwasser

FIN: Ei saa pestä pesukoneessa

PT: Máquina de lavar loiça

CZ: Myčka na zdravotní pomůcky

DK: Industri-vaskemaskine

ES: Máquina de lavado

BR: Máquina de lavar loiça

SN: 请勿使用洗碗机清洗



EN: Correct use

NO: Korrekt bruk

FR: Utilisation correcte

RU: Правильное использование

JP: 全適切な使用

DE: Richtig

SV: Korrekt användning

IT: Uso corretto

PL: Prawidłowe użytkowanie.

GR: Ορθή χρήση

NL: Juist gebruik

FIN: Oikea käyttö

PT: Uso correto

CZ: Správné používání

DK: Korrekt brug

ES: Uso correcto

BR: Uso correto

SN: 正确使用



EN: Incorrect use

NO: Feil bruk

FR: Utilisation incorrecte

RU: Неправильное использование

JP: 適不適切な使用

DE: Falsch

SV: Felaktig användning

IT: Uso errato

PL: Nieprawidłowe użytkowanie.

GR: Λανθασμένη χρήση

NL: Onjuist gebruik

FIN: Virheellinen käyttö

PT: Uso incorreto

CZ: Nesprávné používání

DK: Forkert brug

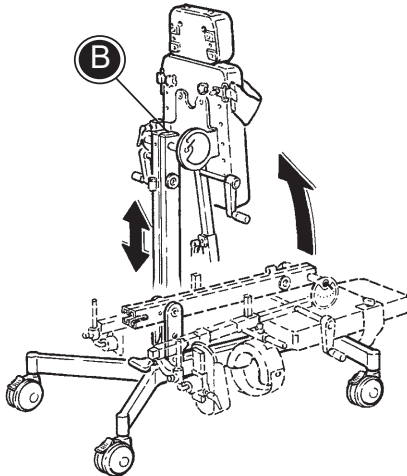
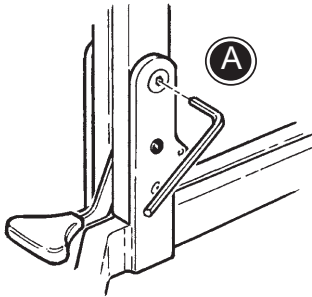
ES: Uso incorrecto

BR: Uso incorreto

SN: 错误使用



ENGLISH

**Head support with facial aperture**

Mounting of Head support with facial aperture:

- A. The two retaining bars go through the adjustable trunk support after removal of two plastic plugs.
- B. Positioning knobs can be screwed into place after making cut-outs in the adjustable trunk support.

It can be helpful to mount the head support with facial aperture before placing the child on the table in horizontal position. Remove the head support when the table is raised into vertical position.

Trunk support and extension

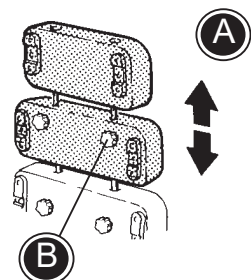
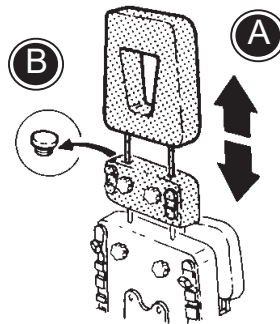
Height adjustable trunk support and extension can be mounted on the Gazelle PS (A).

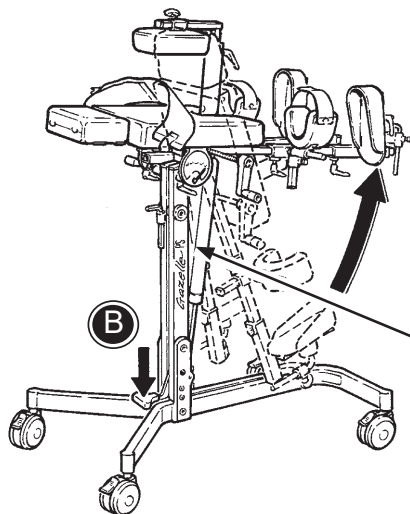
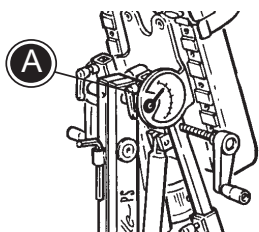
Fasten the screws on the back (B), sie wieder, wenn Sie die richtige Höhe eingestellt haben.

Ready for use

The Gazelle PS is folded when delivered, to obtain as little space as possible, during transportation. Follow the description below, to unfold your Gazelle PS:

1. Make sure that the four wheels are locked.
2. Press against the floor frame with your foot, as the Gazelle PS is raised to vertical position. Make sure the Gazelle PS fits exactly into the fitting on the floor frame.
3. With the Gazelle PS a in vertical position, use the enclosed 6 mm Allen key to fasten the screw (A). The Allen key is placed on the Gazelle PS (B) and is always nearby for adjustments.





Angling

Degree indicator (A)

Adjust the angle of the Gazelle PS from vertical to 15° under horizontal by pressing the foot pedal (B).

As security, the foot pedal can be locked at the wanted angle position. Turn the button at the lower end of the gaspring and the Gazelle PS locks (C).



- 05 Squeezing Hazard

Independent abduction

Adjusting the abduction 0° - 30° by turning the handle in both sides (A).

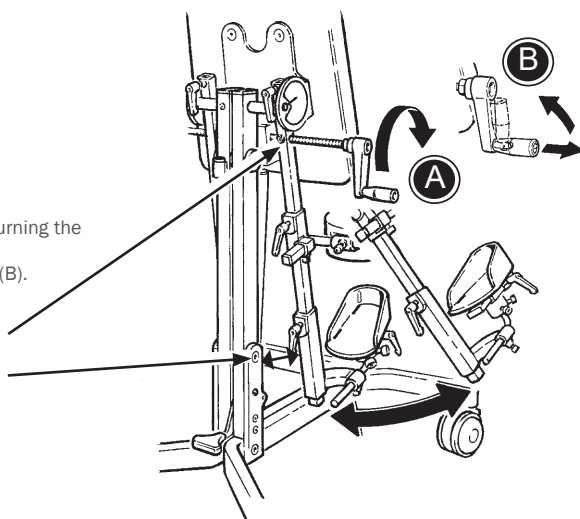
Retractable handle for tilt adjustment (B).

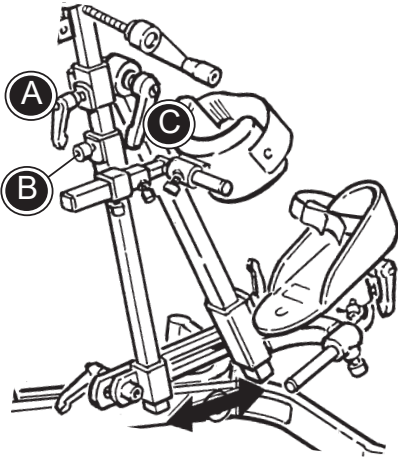


- 05 Squeezing hazard



- 05 Squeezing hazard



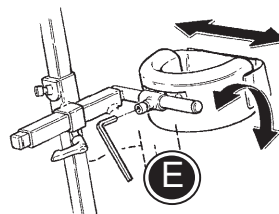
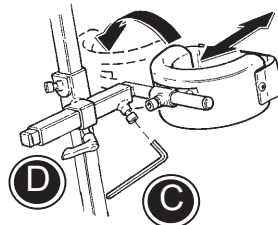
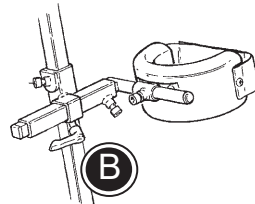
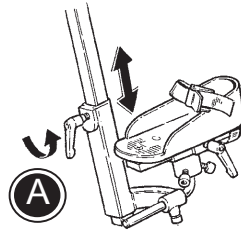


Angling of lower leg

Mount the bar for the lower leg angling on the abduction bar, as follows:

1. Loosen the handle (A) to remove the support.
2. Loosen the Allen screw (B) to remove the knee supports.
3. Mount the knee support on the bar for the lower leg angling and tighten the handle (A).
4. Mount the foot support on the bar for the lower leg angling.

Adjust the height of the lower leg angling by turning the handle (B) and adjust the angling by turning the handle (C). To adjust the foot support see page 16.

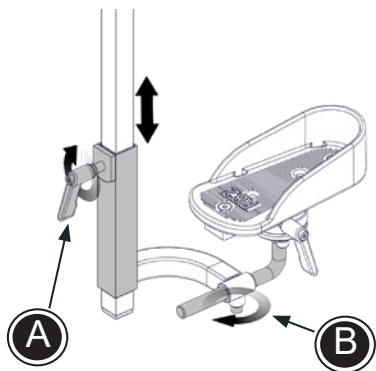


Knee support

As standard, the Gazelle PS is delivered with knee supports mounted to be used by front-standing children. Turn around the knee supports, to be able to use it for backstanding children:

1. Loosen the handle (A) to remove the foot supports.
2. Loosen the handle (B) to remove the complete knee support unit.
3. Mount the complete knee support unit on the opposite side and fasten with the handle.
4. Turn the fitting for the knee support 180°, by loosening the screws (C) and (D).
5. Loosen the screw (E) and turn around the knee support, for backstanding children.

Adjust the knee support with the enclosed 6 mm Allen key. Loosen the screws (C) and (D) and the knee supports are depthadjustable. By loosening the screw (E) the knee supports adjust in width and angles. Use the handle (B) to adjust the height of the complete knee support unit.



Foot support

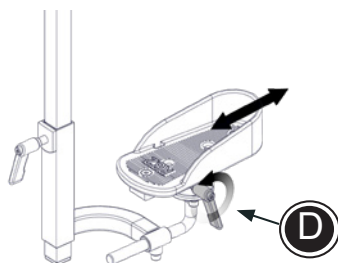
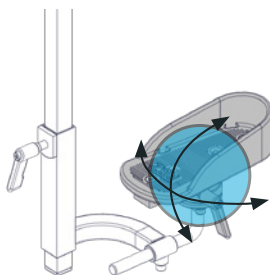
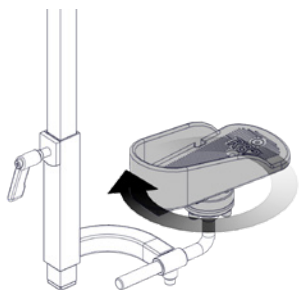
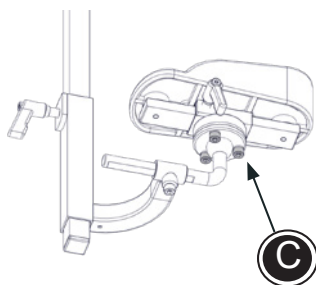
For use of back standing:

When the knee support is turned, the foot supports must be mounted in the same side as they were demounted.

1. Mount the foot supports and tighten the handle. (A).
2. Loosen the screw (B) and adjust the depth of the foot support.
3. Loosen the screws (C) and turn the foot support 180°.
4. Tighten the screws in the requested position.

The foot plate mounting is mounted on the joint. By means of this, the footplate can be adjusted in different angles by loosening the screws (C).

The plate can be adjusted in the depth by loosening the handle (D), or the unbracho screw (B).

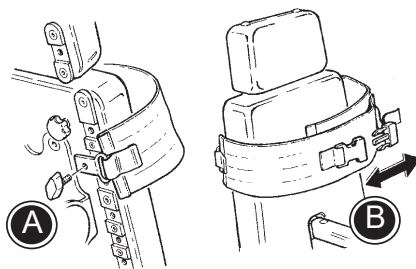




Strap

Mount the strap on the trunk support or on the basic plate considering where the support is needed.

The strap is mounted on the back (A) and fastened in front with velcro and a snap-lock fitting (B).



Back support

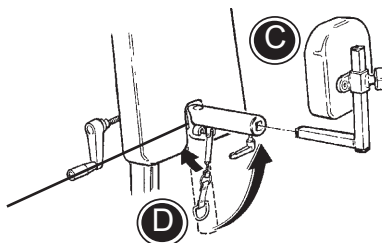
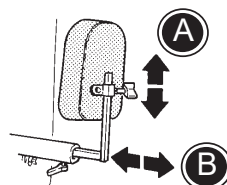
The back support is adjustable in height (A) and in depth (B).

Before placing the child:

1. Remove the back support (C)
2. Fold down the fitting for back support by pulling the release chain (D).

Fasten with the handles.

The child may not sit on the mounting for the back support. There must always be a couple of centimetres between the child and the mounting.



05 Squeezing hazard!

Take care when refitting the back support.



Tray with / without bowl

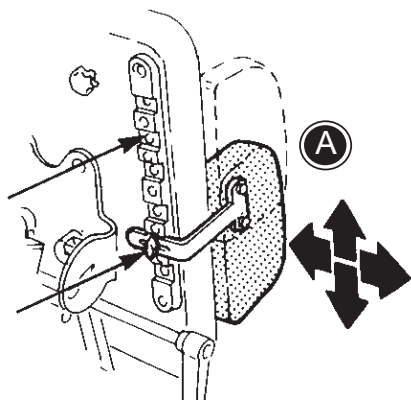
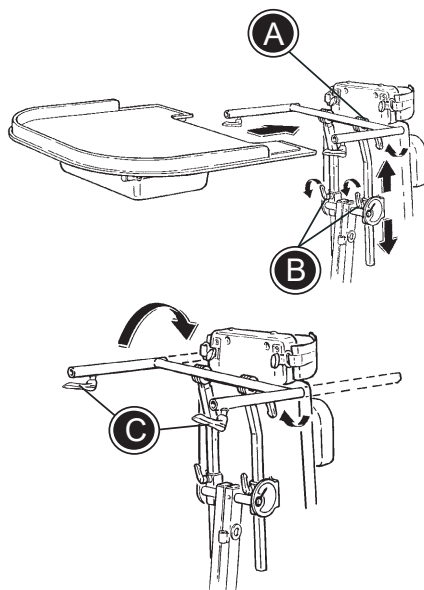
Loosen the big handles (A) and (B) completely, and place the tray-mounting in the two tubes on the back. Fasten the big handles (A) and (B) again.

Loosen the big handle (A) and the tray-mounting can be turned through 180 degree's for either prone or supine use.

Place the tray in the tray-mounting tubes. When the required position is achieved, fasten the big handles (C)

Loosen the handles (B) to adjust the height of the tray. Loosen the handle (A) to adjust the angle for the tray.

The tray with bowl is delivered with an extra cover plate, so it can be used as a normal tray.

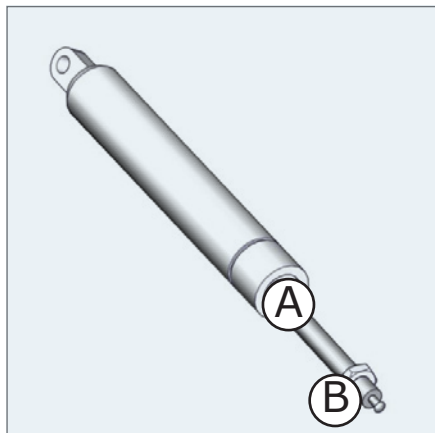


Side support

Mount the side supports on the trunk support to give the rightsupport to the upper part of the body or on the basic plate to support the body and hips. The side supports are adjustable in height and in width (A).



EN



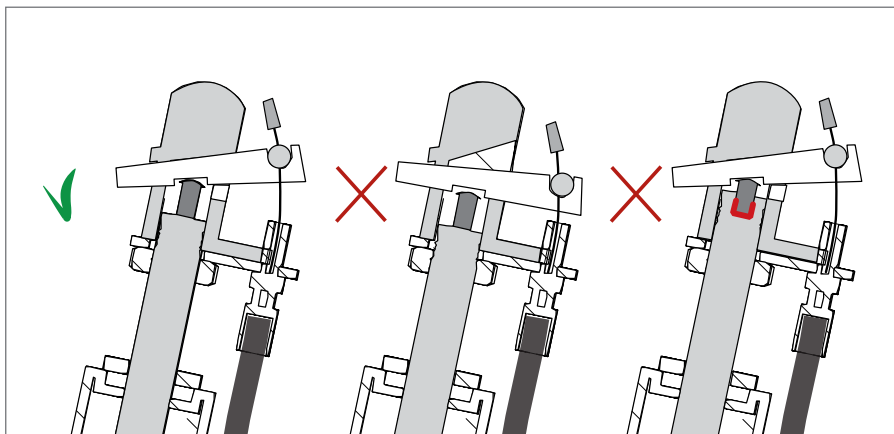
Adjusting the gas spring

Gazelle PS is equipped with a gas spring for angle adjustment. After a while it might need adjustment. The adjustment is necessary when:

The gas spring is releasing itself
The gas spring can not be released

If the gas spring releases itself, loosen the nut (B) with a 17 mm wrench. Turn the bar (A) anti-clockwise to loosen. Tighten the nut (B) again.

If the gas spring will not release, loosen the nut (B) with a 17 mm wrench. Turn the bar (A) clockwise to tighten. Tighten the nut (B) again.



We appreciate your choice of a new product from R82 - a worldwide supplier of technical aids and appliances for children and adults with special needs. To fully benefit from the options offered by this product please read this User Guide before use and save it for future reference.

Intended purpose

The device is a standing frame for children and adults with disabilities.

Indications

The device can be used by children and adults with disabilities, who experience limitations in their ability to maintain a standing position. The target group for the device is based on functional ability and anthropometry. It is not based on a specific health condition or age.

The user is the person standing in the frame. The caregiver is the person operating the frame. Never leave the user unattended in this product. Ensure permanent supervision by a caregiver. The use of the device will be discontinued more times during the day where the user will be lying down or sitting in another assistive device or a conventional product.

Contra indications

There are no known contra indications.

Precautions

Special attention should be given to the considerations about the configuration of the product and the use of accessories for users with limitation in their:

- Sensory functions and the sensation of pain, consider extra checks of the pressure caused by the support provided by the product and its accessories.
- Movement function (e.g. experience involuntary movements).
- Ability to maintain a standing position, use the product with accessories (e.g. chest or back support).
- Ability to maintain the position of their head, consider to use accessories or to use a product that provide support to the positioning of the head.

Application areas

The product is for indoor use

Enclosed tools:

- 6 mm Allen key



Declaration of Conformity

This product conforms to the requirements of the Medical Devices Regulation (2017/745). The CE mark must be removed when rebuilding the product, when used in combination with a product from another manufacturer or when using other than original R82 spare parts and fittings. Further, this product conforms to the requirements according to:

- EN 12182



Disposal

When a product reaches the end of its lifetime, it should be separated by material type so that the parts can be recycled or disposed of properly. If required, please contact your local dealer for a precise description of each material. Please contact your local authorities to be informed of the options available for recycling in an environmentally-friendly way.

Accessories and spare parts

The products from R82 can be supplied with a variety of accessories including vests and belts which comply with the needs of the individual user. Spare parts can be ordered on request. Find the specific accessories on our website or contact your local dealer for further information.

R82 Warranty

R82 offers a 2-year warranty against defects in workmanship and materials and a 5-year warranty on breakage of the metal frame caused by defects in welds. The warranty would be adversely affected if the customer's responsibility of servicing and/or maintenance is not carried out according to the guidelines and intervals prescribed by the supplier and/or stated in the User Guide. For further information, we refer to the R82 homepage/download.

The lifetime of this product in normal use is 8 years if all maintenance and servicing is carried out in accordance with the manufacturer's instructions and demonstrably recorded.

The warranty is only granted in the country where the product was purchased and if the product can be identified by the serial number. The warranty does not cover accidental damage, including damage caused by misuse or neglect. The warranty does not extend to consumable items e.g. tires or upholstery, which are subject to normal wear and tear and need periodic replacement.

The warranty is null and void if other than original parts/accessories are used, or if the product has not been maintained, repaired or altered according to the guidelines and intervals prescribed by the supplier and/or stated in the User Guide. R82 reserves the right to inspect the product being claimed for and the relevant documentation before agreeing to the warranty claim, and to decide upon whether to replace or repair the defective product. It is the customer's responsibility to return the item being claimed for under warranty to the address of purchase.

Presales information

- support.r82.org

Safety

Signs, symbols and instructions placed on this product must never be covered or removed and must remain present and clearly legible throughout the entire lifetime of the product. Immediately replace or repair illegible or damaged signs, symbols and instructions. Contact your local dealer for instructions.

In case of an adverse event occurred in relation to the device, incidents should be reported to your local dealer and the national competent authority in a timely manner. The local dealer will forward information to manufacturer.

Caregiver

- Read the "User Guide" carefully before use and keep it for future reference. Incorrect use of this product may cause serious injury to the user
- This product contains small parts which could present a choking hazard if removed from their intended placing
- Always use the correct lifting techniques and aids for this purpose
- Never leave the user unattended in this product. Ensure permanent supervision by a caregiver
- Repair/replacements must only be made using new original R82 spare parts and fittings and carried out in accordance with the guidelines and service intervals prescribed by the supplier
- If there is any doubt as to the continued safe use of your R82 product or if any parts should fail, stop using the product immediately and contact your local dealer as soon as possible
- Ensure that moving parts does not squeeze or trap body parts when adjusting them
- Ensure that body parts are not trapped in openings for mounting of supports/ accessories.
- Transportation of the product whilst the user is in it is not allowed.

Environment

- Observe the surface temperature on the product, before placing an user in it. This goes especially for users with insensitive skin as they cannot feel the heat. If the surface temperature is above 41 °C then allow the product to cool before use
- Use this product on a level surface without any obstacles. Be aware of reduced maneuverability on slippery surfaces
- When using on inclines, please refer to measurements

User

- If the user is close to the max. load limit and/ or has a lot of involuntary movements, e.g. rocking, a larger size with a higher max. load or a different R82 product should be considered

Product

- Carry out all positional adjustments on the product and accessories and ensure that all knobs, screws and buckles are securely fastened before use. Keep all tools out of the reach of children
- Activate the brakes before placing the user into the product
- Ensure the stability of the product is maintained before placing the user in it
- Ensure the castors are fully-functional and secure before use
- Inspect the product and all of its accessories and replace any worn out parts before use
- Do not expose the gas spring to pressure or high temperatures. DO NOT puncture
- Do not expose the piston rod to scratches etc. It is important to use a cloth or the like, if tools are used to adjust the gas spring
- The footplate is for support only! The foot support does not have a weight bearing function
- This product is tested for resistance to ignition at level non-ignition in accordance with EN 1021-1 and EN 1021-2
- The product might lose its flame resistant characteristics if using other than original R82 cushioning
- This product is not to be occupied in a motor vehicle. The user must be positioned in a vehicle seat and the product must be stored in a luggage compartment
- The user must not occupy the product while it is being transported into or out of a vehicle by a lift

Service information

Maintenance of a medical device is wholly the responsibility of the owner of that device. Failure to maintain a device in accordance with the instructions may invalidate the device's warranty. Furthermore, failure to maintain a device may compromise the clinical condition or safety of users and/or their caregivers. Do not perform service and maintenance while the user is in the product.

1st Day

- Read the User Guide carefully before use and store it in a safe place for future reference

Daily

- Use a dry cloth to clean the product
- Visual inspection. Repair or replace any damaged or worn-out parts
- Ensure that all fasteners are in place and fitted correctly
- Check all fittings and buckles for signs of worn out parts
- Be aware of any MAX mark indications before adjustment

Weekly

- Check that all castors are moving freely and that all wheel locks/brakes are easily activated
- Wipe off any residue and dirt from the product using a cloth with warm water and a mild detergent/soap and dry before use
- Disinfect the product. please check the disinfection section in this User Guide for more information

Monthly

- All nuts and bolts on this product must be checked and tightened to avoid unnecessary failures
- Oil the swing-away parts. We recommend you use a professional lubricant system

Annually

- Inspect the frame for cracks or signs for worn-out parts and carry out annual service. Never use a product which appears to be substandard or faulty

Warewashing machine

This product can be washed at 60° using a mild detergent for 10 minutes in a washing machine designed for medical devices. Use the machine's drying function to dry the product.

Disinfection

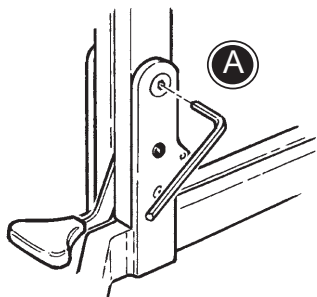
The product can be disinfected with a 70% disinfectant IPA solution. It is recommended to wipe off any residue and dirt from the product, using a cloth with warm water and a mild detergent/soap without chlorine and let it dry before disinfection.

Service interval

A detailed inspection of the product must be made every 12 months (every 6 months for heavy users) and every time the product is reissued for use. The inspection should be carried out by a technically competent person who has been trained in the use of the product.

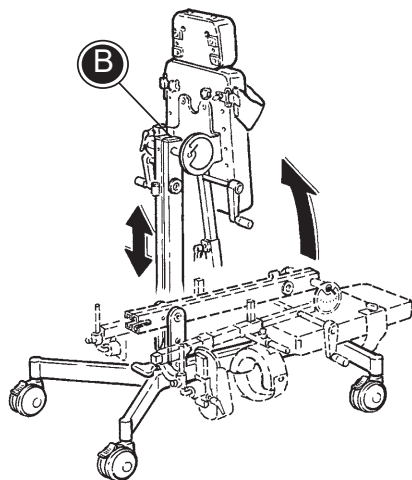


DEUTSCH

**In gebrauchnehmen**

Gazelle PS wird zusammengeklappt geliefert, folgen Sie die Beschreibung um Gazelle PS in Gebrauch zu nehmen:

1. Die 4 Radbremsen aktivieren.
2. Lehnen Sie sich leicht mit dem Fuß auf das Gestell und kippen Sie das Rückenliegebrett nach oben bis hin zu einer senkrechten Position. Es sollte einrasten.
3. In der senkrechten Position, muß die Schraube (A) befestigt werden. Benutzen Sie den beigelegten 6 mm Imbusschlüssel.

**Kopfplatte**

Motierung und Höhenverstellung:

- A. Beide Stäbe der Kopfplatte in die justierbare Brustauflage hinein schieben.
- B. Montieren Sie die Rändelschrauben in der Kopfplatte und die gewünschte Höhe kann eingestellt werden.

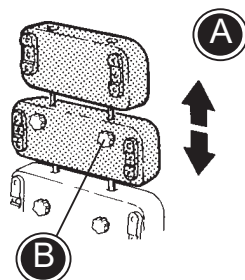
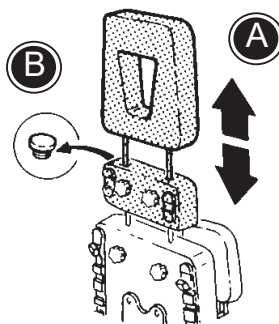
Es kann vom Vorteil sein, daß die Kopfplatte auf der Gazelle montiert ist, während Sie das Kind in der waagerechten Position plazieren. Die Kopfplatte kann dann entfernt werden, wenn das Kind aufrecht steht.

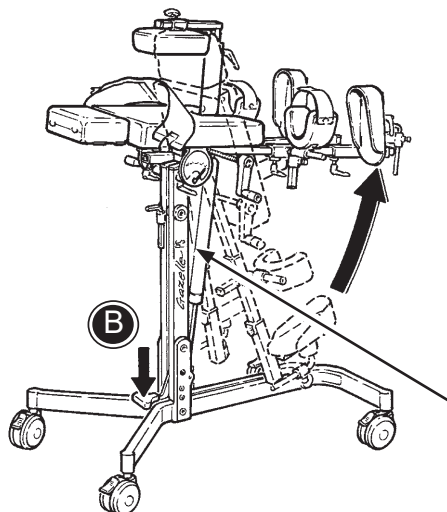
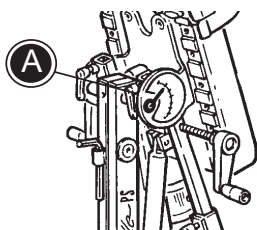
Zwischenstück

Höhenverstellung der Brustauflage und des Zwischenstückes:

Entfernen Sie die Brustauflage um das Zwischenstück zu montieren und montieren Sie dann das Zwischenstück und danach die Brustauflage (A).

Um die Höhe der Brustauflage und das Zwischenstück einzustellen lösen Sie die Rändelschrauben (B) und befestigen sie wieder, wenn Sie die richtige Höhe eingestellt haben.





Neigungs-verstellung

Neigungsmesser (A)

Die Gazelle PS kann stufenlos von einer senkrechten bis hin zu einer -15° waagerechten Position (Drainageliege) nur verstellt werden.

Durch leichtes Treten des Fußpedals (B) und Einstellung der Auflageplatte in die gewünschte Position.

Als Kindersicherung kann die Gazelle PS in der gewünschte Position gesichert werden, indem Sie den Federknopf (unten auf der Gasfeder) einrasten lassen (C).



- 05 Gefahr durch Quetschen

Individuelle abduktion

Die individuelle Abduktion kann von 0° bis 30° Grad justiert werden (A).

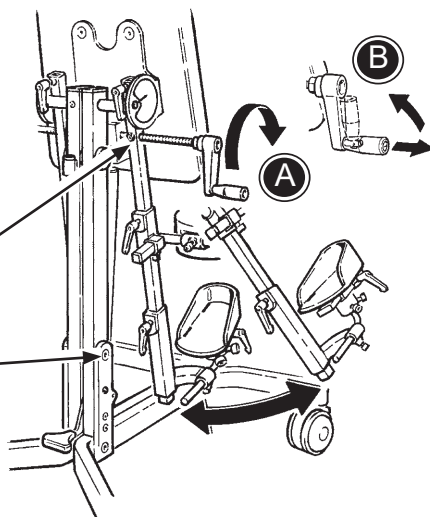
Der Griff der Kurbel läßt sich einklappen. Ziehen Sie dazu den Griff nach außen und klappen Sie ihn ein (B).

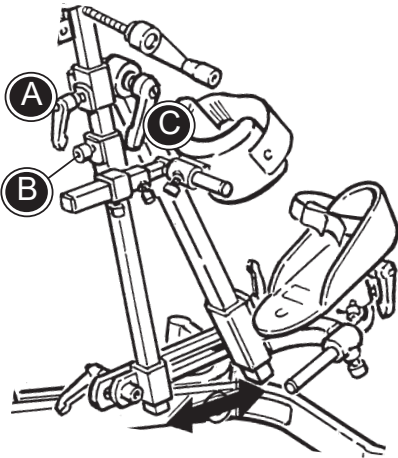


- 05 Gefahr durch Quetschen



- 05 Gefahr durch Quetschen





Kniepelotten

Als Standard wird Gazelle PS als Bauchschrägliegebrett geliefert, die Kniepelotten müssen deshalb für die Rückenlage gedreht werden:

1. Den Griff (A) lösen und die Fußschale abmontieren.
2. Die Inbusschraube (B) lösen und die komplette Kniepelotte abmontieren.
3. Die komplette Kniepelotte gegenüber montieren und anziehen.
4. Den Griff (C) oder die Inbusschraube (D) lösen, die Kniepelottenaufnahme 180° drehen und anziehen.
5. Die Schraube (E) lösen und die Kniepelotte für Rückenlage in Position bringen.

Die Kniepelotten sind mit dem 6 mm Inbusschlüssel einzustellen: Den Griff (C) und die Inbusschraube (D) lösen und die Kniepelotten in der Tiefe einstellen. Die Schraube (E) lösen und die Breite und die Neigung der Kniepelotten einstellen.

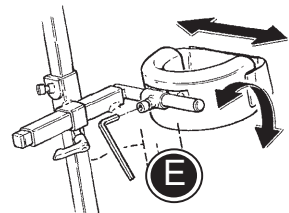
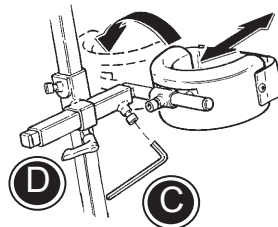
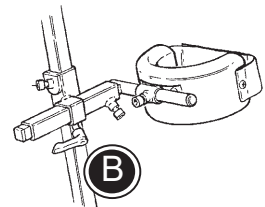
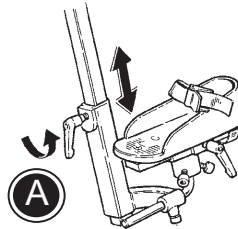
Die Höheneinstellung wird über die Schraube (B) justiert.

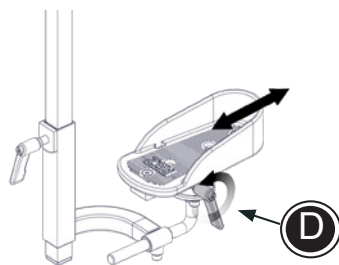
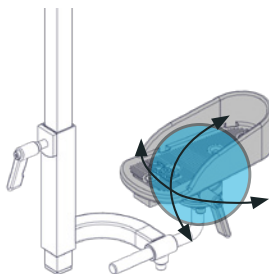
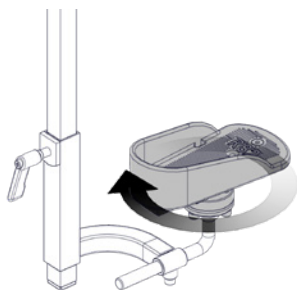
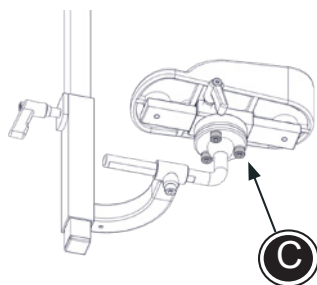
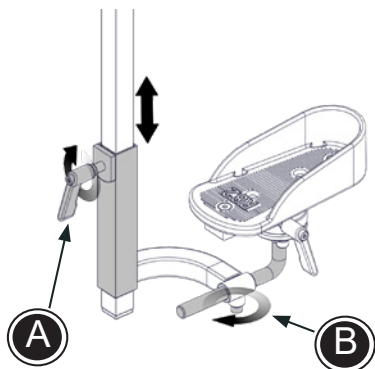
Kniewinkel-verstellung

Um die Stange der Kniewinkelverstellung auf die Abduktionsstange zu bauen, folgendes tun:

1. Den Griff (A) lösen und die Fußschale entfernen.
2. Die Inbusschraube lösen und die Kniepelotte entfernen.
3. Die Kniepelotte auf die Stange der Kniewinkelverstellung montieren. Die Stange mit dem Griff (A) fixieren.
4. Die Fußschale auf die Stange der Kniewinkelverstellung montieren.

Der Kniewinkel kann mittels des Griffes (B) in der Höhe eingestellt werden und die Neigung kann mittels des Griffes (C) eingestellt werden. Einstellen der Fußschale wird auf Seite 25 beschrieben.





Fußstütze

Zur Nutzung in Rückenlage:

Nach drehen der Knieelotten zur Nutzung in Rückenlage, die Fußstützen in der gleichen Seite montieren an der sie abgenommen wurden.

- 1) Die Fußstützen montieren und Griffschraube (A) anziehen.
- 2) Die Schraube (B) lösen um die Tiefe der Fußschale einzustellen.
- 3) Die Schrauben (C) lösen um die Fußschale um 180° zu drehen.
- 4) In der gewünschten Position die Schrauben wieder anziehen.

Die Fußschalen sind auf einem Kugelkopf montiert. Durch lösen der Schrauben (C) können verschiedene Winkel eingestellt werden.

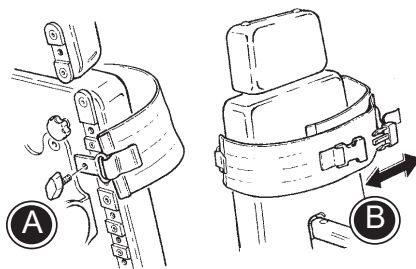
Die Tiefe der Fußschalen kann durch lösen der Griffschraube (D) oder der Inbusschraube (B) eingestellt werden.



Rumpfgurt

Der Rumpfgurt läßt sich je nach Wunsch auf die Basis- oder auf die Brustauflage montieren.

Der Gurt wird hinten mit den Rändelschrauben befestigt (A). Das Kind wird mittels des Klettverschlusses und des Steckschlößes (B) vorne befestigt.



Gesäßpelotte

Die Gesäßpelotte kann in Höhe (A) und Tiefe (B) eingestellt werden.

Vor dem einstellen des Kindes:

1. Die Gesäßpelotte abnehmen (C)
2. Die Aufnahme für die Gesäßpelotte durch lösen des Sicherungshalter (D)

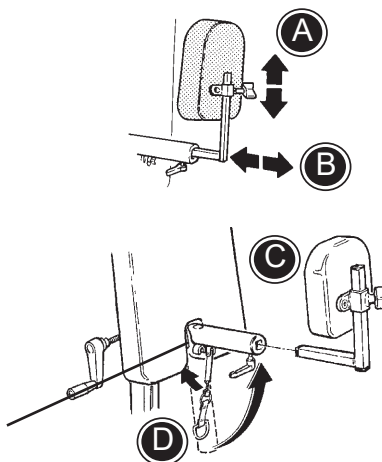
Einstellungen mit den Klemmschrauben sichern.

Das Kind darf nicht auf der Aufnahme für die Gesäßpelotte aufsitzen. Es sollten immer ein paar Zentimeter platz zwischen Kind und Aufnahme sein.

Denken Sie daran, die Gesäßpelottenhalterung nach dem Hochklappen wieder gründlich zu fixieren.



- 05 Gefahr durch Quetschen





Tisch / Tisch mit becken

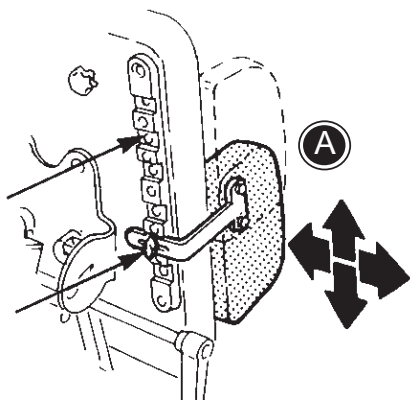
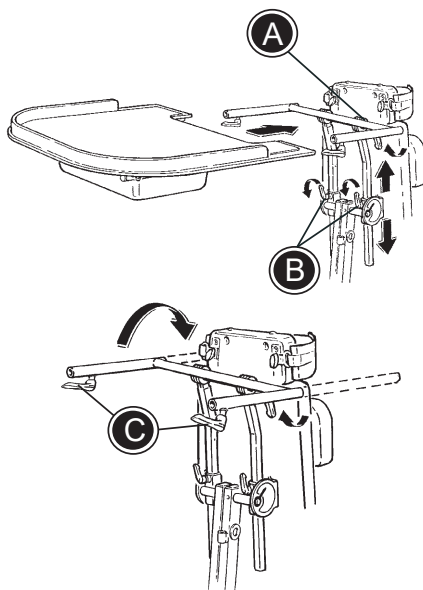
Die Klemmhebel (A) und (B) lösen und die Tischhalterung in die beiden Führungen am Rücken einstecken. Die Klemmhebel (A) und (B) wieder anziehen.

Die Klemmhebel (A) lösen und die Tischhalterung kann sowohl für Bauch- oder Rückenlage geschwenkt werden.

Den Tisch in die Aufnahme stecken und bei Erreichen der gewünschten Position die Klemmhebel (C) anziehen.

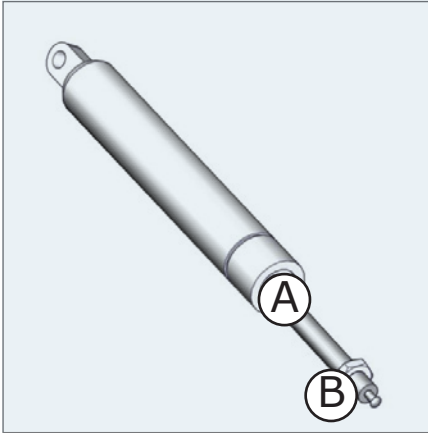
Die Klemmhebel (B) lösen um die Tischhöhe einzustellen. Die Klemmhebel (A) lösen um die Neigung des Tisches einzustellen.

Eine zusätzliche Tischplatte wird mit dem Tisch mit Becken geliefert, damit das Becken abgedeckt werden kann.



Seitenpelotten

Die Seitenpelotten werden auf die Basisplatte oder die Brustauflage montiert, so dienen sie als Unterstützung für den Rumpf und die Hüften. Höhen- und Breiterestellung werden über die Rändelschrauben justiert (A).



Einstellung von Gasfedern

Die Gazelle PS ist mit einer Gasfeder zur Höhen- oder Winkelverstellung ausgestattet.

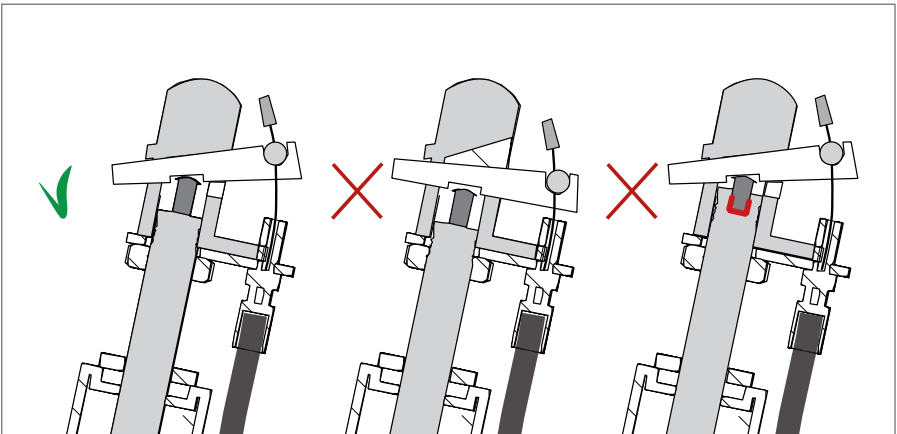
Nach einiger Zeit kann es notwendig sein, die Gasfeder neu einzustellen:

Die Einstellung ist nur notwendig, wenn

- Die Gasfeder sich selbst auslöst
- Die Gasfeder überhaupt nicht ausgelöst werden kann

Falls die Gasfeder sich selbst auslöst, lösen Sie die Mutter mit einem 17 mm Schraubenschlüssel. Drehen Sie die Kolbenstange gegen den Uhrzeigersinn um sie zu lösen. Die Mutter festziehen.

Falls die Gasfeder nicht ausgelöst werden kann, lösen Sie die Mutter mit einem 17 mm Schraubenschlüssel. Drehen Sie die Kolbenstange im Uhrzeigersinn um sie anzuziehen. Die Mutter festziehen.



Wir freuen uns, dass Sie sich für ein neues Produkt von R82 entschieden haben – einem weltweiten Anbieter von technischen Hilfsmitteln und Geräten für Kinder und Erwachsene mit besonderen Bedürfnissen. Damit Sie den vollen Funktionsumfang dieses Produkts nutzen können, lesen Sie bitte dieses Benutzerhandbuch, bevor Sie das Produkt verwenden, und bewahren Sie es sorgfältig auf.

Zweckbestimmung/Indikation

Bei dem Produkt handelt es sich um eine Stehhilfe für Kinder und Erwachsene mit Behinderungen.

Indikationen

Das Produkt kann von Kindern und Erwachsenen mit Behinderungen verwendet werden, deren Fähigkeit, eine stehende Position einzunehmen, eingeschränkt ist. Die Zielgruppe für das Produkt basiert auf Funktionsfähigkeit und anthropometrischen Eigenschaften. Sie hängt nicht von bestimmten Erkrankungen oder dem Alter des Benutzers ab.

Der Benutzer ist die Person, die in der Stehhilfe steht. Die Pflegeperson ist die Person, die die Stehhilfe bedient. Lassen Sie den Benutzer während der Verwendung dieses Produkts nie unbeaufsichtigt. Sorgen Sie für eine ständige Beaufsichtigung durch eine Pflegeperson. Die Verwendung des Geräts wird im Laufe des Tages häufiger unterbrochen, wenn der Benutzer sich hinlegt oder in einem anderen Hilfsmittel oder einem herkömmlichen Produkt sitzt.

Bestehende Anwendungsrisiken und Kontraindikationen

Es sind keine Kontraindikationen bekannt.

Sicherheitsvorkehrungen

Besondere Aufmerksamkeit sollte den Überlegungen zur Konfiguration des Produkts und der Verwendung von Zubehör durch Benutzer gewidmet werden, die unter Einschränkungen in folgenden Bereichen leiden:

- Bei Einschränkungen der sensorischen Funktionen und des Schmerzempfindens sollte der Druck, der durch die Stützwirkung des Produkts und seines Zubehörs ausgeübt wird, in regelmäßigen Abständen kontrolliert werden.
- Bewegungsfunktion (z. B. Auftreten von unwillkürlichen Bewegungen).
- Bei Einschränkungen der Fähigkeit, eine stehende Position beizubehalten, ist das Produkt mit Zubehör zu verwenden (z. B. Brust- oder Rückenstütze).
- Bei Einschränkungen der Fähigkeit, die Kopfposition beizubehalten, ist die Verwendung von Zubehör in Betracht zu ziehen oder ein Produkt zu verwenden, das die Positionierung des Kopfes unterstützt.

Einsatzorte

Das Produkt ist für die Verwendung im Innenbereich vorgesehen.

Mitgelieferte Werkzeuge:

- 6 mm Inbusschlüssel



Konformitätserklärung

Dieses Produkt entspricht den Anforderungen der Verordnung (EU) 2017/745 über Medizinprodukte. Die CE-Kennzeichnung muss entfernt werden, wenn das Produkt umgebaut, zusammen mit einem Produkt eines

anderen Herstellers verwendet oder mit anderen als den R82 Original-Ersatz- oder Zubehörteilen benutzt wird. Darüber hinaus entspricht dieses Produkt den Anforderungen gemäß:

- EN 12182



Recycling Information

Am Ende des Produktlebenszyklus, kann das Produkt durch das Trennen und Separieren der einzelnen Materialien entsorgt und recycled werden. Bitte kontaktieren Sie bei Bedarf die lokalen Behörden, um sich über die Möglichkeit der umweltfreundliche Wiederverwendung der einzelnen Materialien des Produktes zu informieren. Bitte kontaktieren Sie die lokalen Behörden, um sich über die Möglichkeiten einer umweltfreundlichen Wiederverwertung des gebrauchten Produktes zu informieren.

Zubehör und Ersatzteile

Das R82 Produkt kann mit einer Vielzahl von verschiedenen Zubehörteilen geliefert werden, um es an die individuellen Bedürfnisse des Nutzers optimal anzupassen. Ersatzteile sind auf Anfrage erhältlich. Sie finden die verschiedenen Ausführungen des Zubehörs auf unserer Homepage, fragen Sie Ihren Fachhändler nach weiteren Informationen.

R82 Garantie

R82 gewährt eine Garantie von 2 Jahren auf die Verarbeitung und das Material sowie eine Garantie von 5 Jahren auf das Metallgestell (gegen Bruchschäden an Schweißnähten). Die Garantie erlischt, wenn der Kunde seiner Verpflichtung zur täglichen Pflege und/oder Wartung gemäß den vom Hersteller vorgegebenen und/oder in der Bedienungsanleitung genannten Richtlinien und Intervallen nicht nachkommt. Weitere Informationen finden Sie auf der Homepage von R82 unter „Download“.

Nutzungsdauer: Die Lebensdauer dieses Produktes beträgt bei normalem Einsatz 8 Jahre unter der Voraussetzung, dass jeder Service und jede Wartung innerhalb der Intervalle des Wartungsplans des Herstellers durchgeführt und dokumentiert worden ist.

Die Gewährleistung besteht nur in dem Land, in dem das Produkt gekauft wurde und wenn sich das Produkt anhand seiner Seriennummer identifizieren lässt. Von der Garantie ausgeschlossen sind Unfallschäden sowie Schäden, die durch falsche Verwendung oder Fahrlässigkeit verursacht wurden. Die Garantie beinhaltet keine Teile, die einem Verschleiß oder einer normalen Abnutzung unterliegen, z.B. Reifen, Polster usw.. Diese Verschleißteile müssen regelmäßig überprüft und bei Bedarf getauscht werden.

Die Garantie erlischt, wenn andere als Originalteile/Originalzubehörteile verwendet werden oder wenn das Produkt nicht den Richtlinien und Abständen entsprechend gewartet, repariert oder verändert wird, die vom Lieferanten vorgeschrieben sind und/oder in der Bedienungsanleitung aufgeführt sind. R82 behält sich das Recht vor, das fragile Produkt sowie die relevanten Unterlagen in Augenschein zu nehmen, bevor ein Garantieanspruch anerkannt wird, und zu entscheiden, ob das defekte Produkt ausgetauscht oder repariert wird. Der Kunde ist verpflichtet, das fragile Produkt (zu dem der Garantieanspruch geltend gemacht wird) an die Kaufadresse zurückzugeben.

Vorverkaufsinformationen

- Support.r82.org

Sicherheitshinweise

Zeichen, Symbole und Anleitungen sind auf diesem Produkt angebracht und müssen auch während der gesamten Lebensdauer des Produktes angebracht bleiben und deutlich lesbar sein. Beschädigte, unlesbare oder entfernte Zeichen, Symbole oder Anleitung müssen sofort ersetzt werden. Setzen Sie sich hierzu mit dem zuständigen Fachhandel in Verbindung.

Im Falle eines unerwünschten Ereignisses, das mit dem Produkt zusammenhängt, melden Sie etwaige Vorfälle bitte umgehend Ihrem lokalen Händler und der zuständigen nationalen Behörde. Der lokale Händler leitet die entsprechenden Informationen an den Hersteller weiter.

Eltern, Therapeuten, Pflegedienst

- Lesen Sie diese Bedienungsanleitung aufmerksam vor dem ersten Gebrauch des Produktes und verwahren Sie diese für den späteren Gebrauch. Die Sicherheit des Nutzers kann beeinträchtigt werden, wenn Sie nicht den Anweisungen der Anleitung folgen.
- Dieses Produkt enthält kleine Teile, die bei Verschlucken eine Erstickungsgefahr darstellen können, wenn sie von ihrer vorgesehenen Platzierung entfernt werden.
- Nutzen Sie das Hilfsmittel immer nur zu dem Anwendungszweck, für den es von R82 entwickelt wurde
- Lassen Sie den Benutzer während der Verwendung dieses Produkts nie unbeaufsichtigt. Sorgen Sie für eine ständige Beaufsichtigung durch eine Pflegeperson.
- Für Reparaturen bzw. beim Austausch von Teilen dürfen nur neue Original R82 Ersatz- und Zubehörteile verwendet, die Bedienungseinleitung muss beachtet und die Intervalle für Wartungen, die durch den Lieferanten vorgegeben sind, müssen eingehalten werden
- Wenn Zweifel an der Sicherheit des genutzten R82 Produktes bestehen bzw. wenn Teile defekt oder fehlerhaft sind, stellen Sie bitte sofort die Nutzung des Produktes ein und informieren Sie umgehend, den für Sie zuständigen Fachhändler
- Stellen Sie bei der Einstellung der beweglichen Teile sicher, dass durch diese keine Körperteile gequetscht oder einklemmt werden
- Stellen Sie sicher, dass keine Körperteile in Öffnungen zur Anbringung von Stützen/Zubehör eingeklemmt werden.
- Das Produkt darf nicht transportiert werden, während der Benutzer sich in ihm befindet.

Umfeld

- Stellen Sie sicher, dass die Oberfläche des Produkts eine angenehme Temperatur hat, bevor Sie den Benutzer hineinsetzen. Dies gilt insbesondere für Benutzer mit unempfindlicher Haut, da diese eine eventuelle Hitzeeinwirkung nicht spüren können. Wenn die Oberflächentemperatur mehr als 41 °C beträgt, lassen Sie das Produkt vor der Nutzung abkühlen
- Nutzen Sie das Produkt nur auf ebenen Untergrund ohne Hindernisse bzw. anderen Unebenheiten.
- Bitte beachten Sie die eingeschränkte Manövrierfähigkeit auf glattem Untergrund
- Bitte beachten Sie die entsprechenden Angaben (siehe Abmessungen), wenn Sie dieses Produkt auf einem Untergrund mit Gefälle nutzen

Nutzer

- Wenn der Nutzer mit seinem Gewicht nah an der max. Belastbarkeit des Produktes ist und / oder er stärkere ungewollte Bewegungen hat, z.B. Spastiken, sollte überlegt werden, ob eine größere Größe des Produktes mit einem höheren Nutzergewicht oder ein anders R82 Produkte die bessere Wahl ist

Product

- Führen Sie alle Einstellung bzw. Anpassung der Zubehörteile zur Positionierung des Nutzers durch und überprüfen Sie, ob alle Schrauben, Handschrauben und Verschlüsse korrekt angezogen bzw. verriegelt sind, bevor das Produkt genutzt wird. Das Werkzeug darf sich nicht in der Reichweite des Nutzers befinden
- Betätigen Sie die Bremsen bevor der Nutzer im Produkt platziert wird
- Stellen Sie sicher, dass die Stabilität bzw. Standsicherheit des Produktes gewährleistet ist, bevor der Nutzer im Produkt platziert wird und die Bremsen
- Stellen Sie sicher, dass die Laufrollen vor dem Gebrauch voll funktionsfähig und sicher sind
- Überprüfen Sie das Produkt bzw. die Zubehörteile und ersetzen Sie abgenutzte Teile, bevor das Produkt genutzt wird
- Setzen Sie die Gasfeder nicht dem Druck oder hohen Temperaturen aus. NICHT aufbohren
- Achten Sie darauf, dass die Kolbenstange nicht zerkratzt wird usw. Wenn die Gasfeder mit Hilfe von Werkzeugen eingestellt wird, muss unbedingt ein Tuch oder Ähnliches verwendet werden
- Die Fußplatte darf nur als unterstützendes Hilfsmittel verwendet werden! Die Fußstütze hat keine Gewicht tragende Funktion
- Dieses Produkt wurde auf seine Beständigkeit gegen Entzündung oder gleichmäßige Nichtentzündung gemäß EN1021-1 und EN 1021-2 getestet
- Dieses Produkt kann seine schwer entflammaren Eigenschaften verlieren, wenn es in andere Polster als die original R82 Polster eingesetzt wird.
- Dieses Produkt ist nicht für den Transport im Fahrzeug mit dem Nutzer geeignet. Der Nutzer muss in einem geeigneten Autositz gesichert sein und das Produkt gesichert im Gepäckraum transportiert werden
- Der Nutzer darf sich nicht in dem Produkt befinden, wenn er über eine Hebebühne, Lift oder Rampe in oder aus einem Fahrzeug steigt bzw. gesetzt wird

Serviceinformationen

Die Verantwortlichkeit für die Wartung des medizinischen Hilfsmittels bzw. Therapiegerätes liegt in der Verantwortung des Eigentümers bzw. Besitzers des Produktes. Die Nichteinhaltung der Wartungen bzw. der Wartungsintervalle gemäß dem Zeitplan der Bedienungsanleitung des Produktes kann das Erlöschen der Garantie dieses Produktes zur Folge haben. Weiterhin kann die Nichteinhaltung der Wartungen zu einer Beeinträchtigung der Funktionstüchtigkeit führen bzw. die Sicherheit des Nutzers und / oder der Pflegekraft bzw. Begleitperson gefährden.

1. Tag

- Lesen Sie die Anleitung sorgfältig vor dem Gebrauch des Produktes und bewahren Sie diese für die spätere Verwendung auf

Täglich

- Benutzen Sie ein trockenes Tuch zur Reinigung
- Optische Inspektion. Defekte oder abgenutzte Teile müssen umgehend ersetzt oder repariert werden
- Versichern Sie sich, dass alle Befestigungen an ihrem Platz sind
- Versichern Sie sich, dass alle Befestigungen an ihrem Platz sind
- Überprüfung der Gurte, Westen, Verschlüsse auf Verschleisspuren
- Achten Sie bei alle Einstellungen auf die MAX Angaben bzw. Kennzeichnungen

Wöchentlich

- Überprüfen Sie, dass sich alle Rollen einwandfrei drehen und dass alle Rollenbremsen bzw. Rollenfeststeller einwandfrei funktionieren
- Nutzen Sie ein Tuch mit warmen Wasser und ein mildes Reinigungsmittel, um Schmutz zu entfernen und das Produkt zu reinigen. Trocknen Sie das Produkt ab, bevor es wieder genutzt wird
- Desinfizieren Sie das Produkt. Weitere Informationen hierzu erhalten Sie im Abschnitt „Desinfektion“ in diesem Benutzerhandbuch.

Monatlich

- Alle Schrauben, Muttern und anderen Verriegelungen müssen regelmäßig überprüft und festgezogen werden, um ungewollten Fehlern vorzubeugen
- Ölen Sie die beweglichen Teile, wir empfehlen ein professionelles Schmiermittel

Jährlich

- Überprüfen Sie den Rahmen und die Rahmenteile auf Verschleiß bzw. Nutzen Sie niemals ein Produkt mit festgestellten Fehlern oder Mängeln. Lassen Sie min. einmal im Jahr die Inspektion durchführen

Reinigung in einer Spezialwaschmaschine

Dieses Produkt kann, z.B. für die Aufbereitung für den Wiedereinsatz, in einer speziellen Waschmaschine, die für Medizinprodukte geeignet ist, gereinigt und desinfiziert werden. Es kann hierzu 10 Minuten bei 60 ° mit einem milden handelsüblichen Reinigungs- bzw. Desinfektionsmittel gewaschen werden. Das Produkt vor der erneuten Verwendung trockenen lassen

Desinfektion

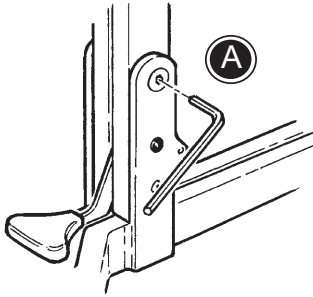
Das Produkt kann mit einer 70%igen Isopropanol-Desinfektionslösung desinfiziert werden. Es wird empfohlen, sämtliche am Produkt anhaftenden Rückstände und Schmutz mit einem Tuch mit warmem Wasser und einem milden Reinigungsmittel/einer milden Seife (chlorfreies Produkt) zu entfernen und das Produkt vor der Desinfektion trocken zu lassen.

Serviceintervalle

Eine umfassende Inspektion des Produktes muss alle 12 Monate durchgeführt werden (bei starker Beanspruchung bzw. schweren Nutzern alle 6 Monate) und zusätzlich jedes mal, wenn das Produkt für einen Nutzer verwendet wird. Die Inspektion muss von einer technischen Fachkraft durchgeführt werden, die für dieses Produkt geschult worden ist. Bitte informieren Sie im Falle einer Reparatur ihren Fachhändler.



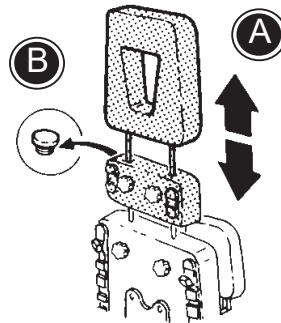
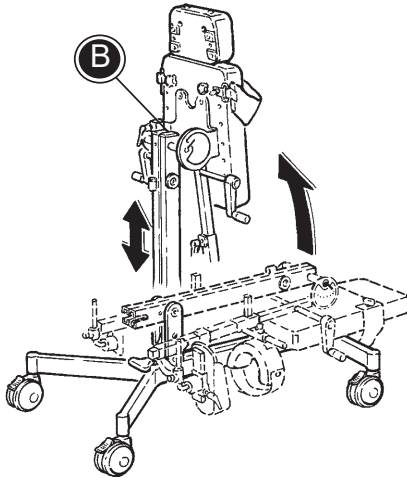
NEDERLANDS



Gebruiksklaar maken van de Gazelle PS

In de originele verpakking is de Gazelle PS ingeklapt. Voor het eerste gebruik dient deze rechtop gezet te worden.

1. Zet de vier wielen op de rem.
2. Zet de Gazelle PS recht op. Houd daarbij een voet op het onderframe. Laat het bovenframe vervolgens enigszins zakken in de insparing in het grondframe.
3. Draai vervolgens met de inbussleutel de inbusbout (A) stevig vast. De inbussleutel vindt u in de houder (B) op het bovenframe.



Hoofdsteun met gelaatsuitsparing

Montage:

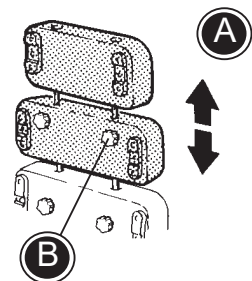
- Verwijder de zwarte dopjes op de verstelbare rompsteun. Steek de twee stangen van de hoofdsteun in de gaten.
- Draai vervolgens de twee zwarte knoppen stevig vast.

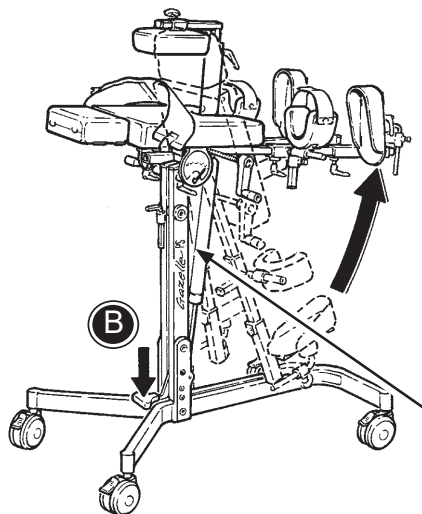
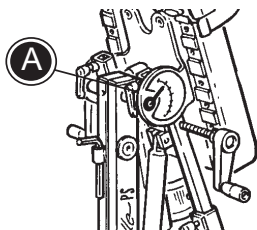
Soms is het beter eerst de hoofdsteun te plaatsen voordat u het kind, op de buik, (horizontaal) in de statafel plaatst. Nadat het kind in verticale positie is gebracht kan de hoofdsteun vervolgens worden verwijderd.

Rompondersteuning en verlenging

De Gazelle PS kan van een extra rompkussen worden voorzien (A).

Stel het rompkussen op de gewenste hoogte in en draai de knoppen (B) weer stevig vast.






Verstelling

Om de Gazelle PS in hoek te verstellen dient u de pedaal (B) met een voet in te trappen. Vervolgens brengt u de statafel in de gewenste hoek en laat de pedaal los.


De Gazelle kan traploos van een verticale (90°) stand naar een horizontale (180°) stand veresteld worden. De Gazelle kan daarna nog 15° verder worden doorgekanteld.


Als het kind in de gazelle PS staat dient u tijdens het verstellen de statafel met beide handen te begeleiden. Uw kind zou kunnen schrikken van een plotselinge kanteling. De pedaal van de kantelverstelling kan worden geblokkeerd (C).

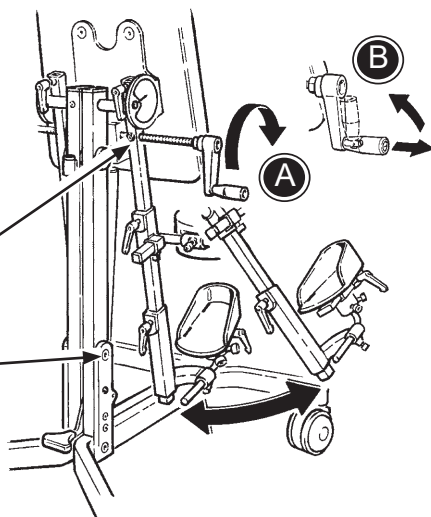
 - 05 Gevaar voor samendrukken

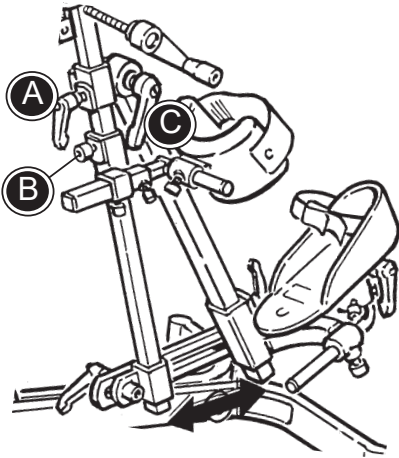
Abductie

Beide beensteunen van de Gazelle PS kunnen ieder 30 graden naar buiten worden gedraaid. Hiervoor dient u de beide handles (A) gebruiken. Nadat u de beide handles heeft gebruikt kunt u ze weer opklappen (B). Tegen ongewenst gebruik van andere kinderen.

 - 05 Gevaar voor samendrukken

 - 05 Gevaar voor samendrukken





Kniesteunen

De Gazelle PS wordt standaard met twee kniesteunen geleverd.

Deze kunnen gebruikt worden zowel in buik als in rugpositie.

Bij rugpositie:

1. Draai de handle (A) los en verwijder de voetsteun.
2. Draai de inbusbout (B) los en verwijder de complete kniesteun.
3. Bevestig de kniesteun aan de andere beenstang en draai de inbus bout weer stevig vast.
4. Draai het PUR gedeelte van de kniesteun (C) 180 graden en zet deze weer vast. (D)
5. Draai de bout (E) los en draai het PUR gedeelte van de kniesteun weer stevig vast.

Het een en ander dient u te verstellen met de bijgeleverde 6 mm inbussleutel.

Door (C) en (D) los te draaien kan de kniesteun in diepte worden ingesteld.

Door (E) los te draaien kan de kniesteun in breedte- en hoek worden veresteld.

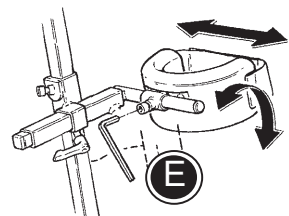
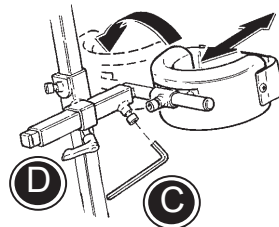
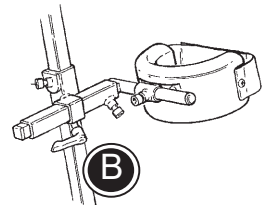
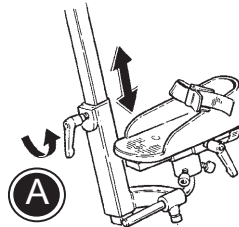
Door (B) los te draaien kan de kniesteun in hoogte worden ingesteld.

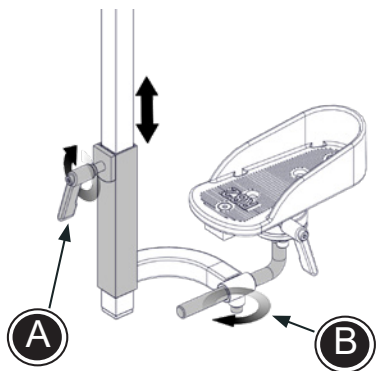
NB! Nadat u een instelling hebt verricht dient u de bout of snelspanner weer stevig vast te draaien.

Hoekverstelling van het onderbeen

Monteer de stang voor de onderbeenhoekverstelling op de volgende wijze:

1. Draai de handle (A) los om de voetsteun te verwijderen.
2. Draai de inbusbout van de kniesteun los en verwijder de kniesteun van de stang.
3. Monteer de kniesteun op de stang van de onderbeenhoekverstelling en draai de handle stevig vast (A).
4. Monteer de voetsteun op de stang van de hoekverstelling van het onderbeen. Verstel de hoogte van de onderbeenhoekverstelling d.m.v. de handle (B) B). Verstel de hoek d.m.v. handle (C) C). Hoekverstelling van de voetsteun: zie pagina 34.





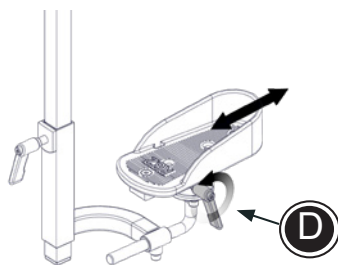
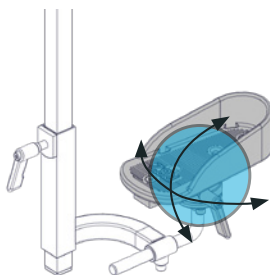
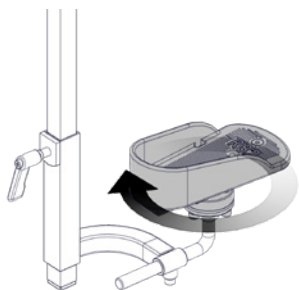
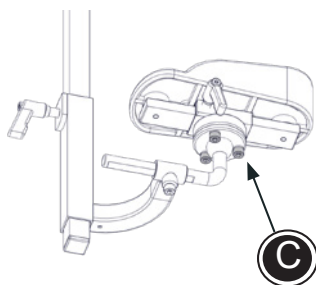
Voetsteunen

Voor gebruik van de Gazelle PS als rugstafel:
Nadat u de kniesteunen hebt omgedraaid dient u beide voetsteunen weer op dezelfde wijze terug te plaatsen.

1. Bevestig de voetsteunen en draai de snelspanner weer stevig vast. (A)
2. Draai bout (B) los en stel de gewenste diepte in.
3. Draai bout (C) los en draai de voetplaat 180°
4. Draai vervolgens de inbusbouten weer stevig vast.

De voetplaat is op een kogel geplaatst en kan in elke gewenste hoek en stand worden geplaatst. (C).

Door de inbusbouten (D) en (B) los te draaien kunt u de gewenste diepte van de voetsteun instellen.



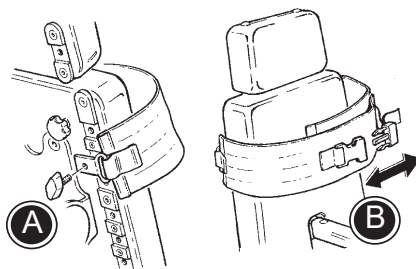


Borst fixatieband

De fixatieband dient in de daarvoor bestemde fixatiestrips/railsaan de achterzijde van de Gazelle PS te worden gemonteerd (A).

Nadat u de fixatieband op de gewenste hoogte hebt ingesteld dient u beide zwarte draaiknoppen stevig vast te draaien.

Als het kind in de gewenste positie op de Gazelle PS staat slaat u beide delen van de band over elkaar heen zodat het klittenband goed gefixeerd is. Klik daarna de gesp (B) op de fixatieband vast.

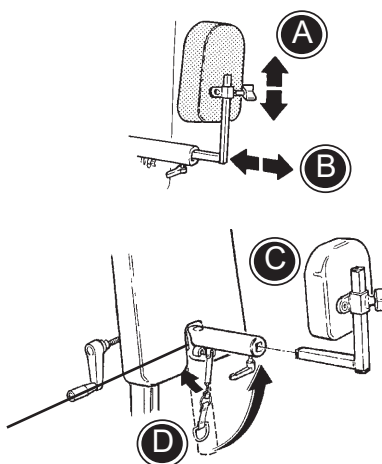


Rugsteun

De rugsteun is in hoogte- (A) en diepte (B) instelbaar. Draai nadat u de gewenste hoogte- en diepte hebt ingesteld beide knoppen stevig vast.

Alvorens u uw kind in de Gazelle PS plaatst dient u de rugsteun (C) weg te nemen, de insteekbuis te ontgrendelen en daarna naar beneden te klappen.

Nadat uw kind de juiste sta-positie heeft ingenomen klappt u de insteekbuis terug en drukt u de zekering terug in het klemmetje onder de insteekbeugel. Steek vervolgens de rugsteun in de insteekbuis en draai de zwarte knop stevig vast..



- 05 Gevaar voor samendrukken



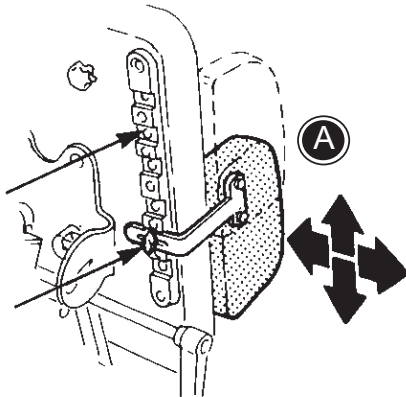
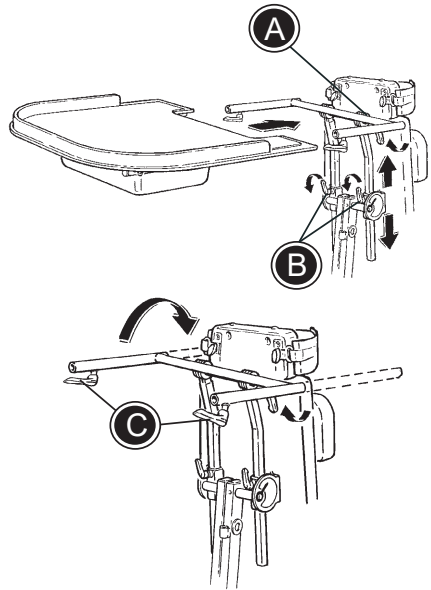
Werkblad

Draai de grote snelspanners (A) en (B) helemaal los. Schuif de twee bevestigingen van het werkblad in de daarvoor bestemde twee insteekbuizen aan de achterzijde van de Gazelle PS. Draai de grote snelspanners (A) en (B) weer stevig vast.

Bij gebruik als rug- of buikstatafel: draai de grote snelspanner (A) los en klap vervolgens de beugel van het werkblad naar voren of naar achteren, afhankelijk van het gebruik.

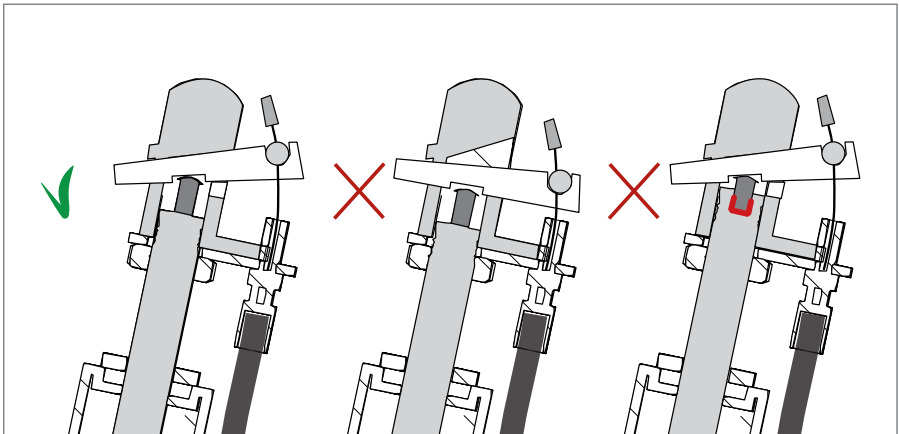
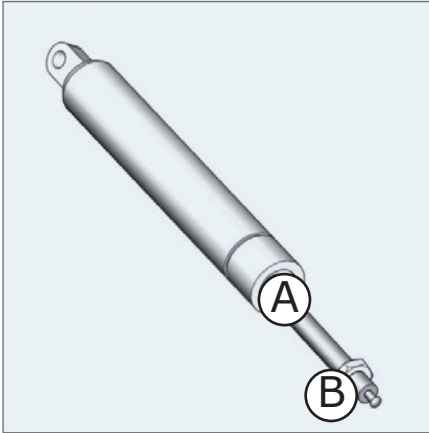
Schuif het werkblad in de insteekbuizen. Draai na het bereiken van de gewenste positie de grote snelspanners (C) weer vast.

Draai de snelspanners (B) los om de hoogte van het werkblad te verstellen. Draai de snelspanner (A) los om de hoek van het werkblad te verstellen.



Zijsteunen

Monteer de zijsteunen op de gewenste hoogte- en breedte, in de daarvoor bestemde fixatiestrips/rails aan de achterzijde van de Gazelle PS. Draai vervolgens beide zwarte draaiknoppen stevig vast.



Gasveer verstelling

Gazelle PS zijn uitgerust met een gasveer teneinde de hoogte- of hoek te kunnen bijstellen. Na enige tijd kan het nodig zijn de de gasveer te moeten bijstellen. Dit is alleen nodig indien:

- De gasveer niet meer vastgezet kan worden.
- De gasveer niet meer reageert op de bedieningshandle.

Als de gasveer niet meer in een bepaalde stand te blokkeren is (schuift langzaam uit) dient u eerst de moer A (zie tekening) met een 17mm steeksleutel los te draaien. Draai vervolgens de as links om (tegen de klok in) en draai de moer weer vast. Controleer of het probleem is verholpen. Herhaal deze handelingen zonedig (of vraag uw leverancier om hulp).

Als de gasveer volstrekt niet reageert op de bedieningshandle (schuift niet in- of uit) dient u de moer een 17mm steeksleutel los te draaien. Draai vervolgens de as rechts om (met de klok mee) en draai de moer weer vast. Controleer of het probleem is verholpen. Herhaal deze handelingen zonedig (of vraag uw leverancier om hulp).

Wij waarderen uw keuze voor een nieuw product van R82 – een wereldwijde leverancier van technische hulpmiddelen en instrumenten voor hulpbehoevende kinderen en volwassenen. Lees deze Gebruikershandleiding voorafgaande aan het gebruik goed door, zodat u volledig kunt profiteren van de opties die door dit product worden aangeboden. Bewaar de Gebruikershandleiding voor toekomstige referentie.

Bestemming

Het instrument is een staframe voor kinderen en volwassenen met handicaps.

Indicaties

Het instrument kan worden gebruikt door kinderen en volwassenen met handicaps die beperkingen ervaren in hun vermogen om te blijven staan. De doelgroep voor het instrument is gebaseerd op functioneel vermogen en antropometrie. Hij is niet gebaseerd op een specifieke gezondheidstoestand of leeftijd.

De gebruiker is de persoon die in het frame staat. De zorgverlener is de persoon die het frame bedient. Laat de gebruiker nooit zonder toezicht in dit product achter. Zorg dat de zorgverlener permanent toezicht houdt. Het gebruik van het instrument wordt in de loop van de dag meerdere keren stopgezet, wanneer de gebruiker ligt of zit in een ander hulpmiddel of een conventioneel product.

Contra-indicaties

Er zijn geen bekende contra-indicaties.

Voorzorgsmaatregelen

Speciale aandacht moet worden gegeven aan de overwegingen over de samenstelling van het product en het gebruik van accessoires voor gebruikers met beperking in hun:

- zintuiglijke functies en de gewaarwording van pijn: overweeg extra controles van de druk die wordt veroorzaakt door de steun die door het product en de bijbehorende accessoires wordt gecreëerd.
- Bewegingsfunctie (bijv. het ervaren van onvrijwillige bewegingen).
- vermogen om te blijven staan: gebruik het product met de accessoires (d.w.z. borst- of rugsteun).
- vermogen om de positie van hun hoofd te handhaven: overweeg het gebruik van accessoires of een product dat ondersteuning biedt voor de positionering van het hoofd.

Toepassingsgebieden

Het product is bedoeld voor gebruik binnenshuis.

Meegelieferd gereedschap:

- 6mm inbussleutel



Verklaring van overeenstemming

Dit product voldoet aan de vereisten van de Verordening medische hulpmiddelen (2017/45). Het CE-keurmerk moet worden verwijderd bij reconstructie van het product, wanneer het wordt gebruikt in combinatie met een product van een andere fabrikant of wanneer er andere dan originele R82-reserveonderdelen en -bevestigingen worden gebruikt. Verder voldoet dit product aan de vereisten conform:

- EN 12182



Recycle informatie

Wanneer een voorziening het einde van haar levensduur bereikt, dient het te worden gescheiden op verschillende materialen, zodat de onderdelen kunnen worden gerecycled of op een juiste wijze kunnen worden afgevoerd. Neem, indien nodig, contact op met de importeur voor een nauwkeurige beschrijving van elk materiaal.

Accessoires en reserve onderdelen

De voorzieningen van R82 kunnen worden uitgerust met diverse accessoires, die voldoen aan de behoefte van het kind/de tiener. Vervangende-onderdelen zijn beschikbaar op aanvraag. De specifieke accessoires vindt u op onze website. Neem contact op met uw dealer voor meer informatie.

R82 Garantie

R82 biedt 2 jaar garantie op gebreken in uitvoering en materialen en 5 jaar garantie op framebreuk veroorzaakt door lasfouten. De garantie kan nadelig worden beïnvloed, indien de dealer of ouders zijn/haar verantwoordelijkheid niet neemt ten aanzien van servicebeurten en/of dagelijks onderhoud conform de door R82 voorgeschreven en/of in de User Guide aangegeven richtlijnen en intervallen. Voor meer informatie verwijzen we naar de website van R82 onder de rubriek; Service > download.

De levensduur van deze voorziening bij normaal gebruik is 8 jaar, indien al het onderhoud wordt uitgevoerd in overeenstemming met instructies van de fabrikant en aantoonbaar zijn vastgelegd.

De garantie geldt alleen in het land waar het product is gekocht, en als de voorziening kan worden geïdentificeerd aan de hand van het serienummer. De garantie dekt geen schade door ongevallen, met inbegrip van schade veroorzaakt door onjuist gebruik of onachtzaamheid. De garantie heeft geen betrekking op gebruiksonderdelen zoals bijvoorbeeld banden en bekleding welke onderhevig zijn aan normale slijtage en op gezette tijden moeten worden vervangen.

Deze garantie vervalt indien andere dan niet-originele onderdelen/accessoires worden gebruikt of als het product niet is onderhouden, gerepareerd of gewijzigd volgens de richtlijnen en intervallen die door de leverancier worden voorgeschreven en/of worden vermeld in de gebruikershandleiding (User Guide). R82 behoudt zich het recht voor om de voorziening waarvoor een claim wordt ingediend inclusief de bijbehorende documentatie te onderzoeken alvorens de garantie claim te honoreren en/of te besluiten de defecte voorziening, accessoire of het onderdeel te vervangen of te repareren. De dealer dient het betreffende onderdeel waarvoor een claim wordt ingediend op te sturen naar het adres waar hij het heeft aangeschaft.

Voorverkoopinformatie

- Support.r82.org

Veiligheid

De op deze voorziening aangebrachte stickers, aanduidingen en instructies mogen nooit afgedekt of verwijderd worden en moeten gedurende de gehele levensduur van de voorziening op hun plek blijven zitten en duidelijk leesbaar zijn. Vervang of herstel onleesbare of beschadigde stickers, aanduidingen en instructies onmiddellijk. Neem contact op met de importeur voor instructies.

In geval van een ongewenste gebeurtenis met betrekking tot het apparaat, moeten incidenten tijdig worden gemeld aan uw lokale dealer en de nationale bevoegde autoriteit. De lokale dealer stuurt de informatie door naar de fabrikant.

Ouder/verzorgende

- Lees alle instructies en User Guide aandachtig door voor gebruik en bewaar deze als naslagwerk. Onjuist gebruik van deze voorziening kan leiden tot ernstig letsel aan het kind/de tiener
- Dit product bevat kleine onderdelen die ingeslikt kunnen worden. Verstikkingsgevaar als ze worden verwijderd van hun oorspronkelijke plaats
- Gebruik altijd de juiste tiltechnieken en tilhulpmiddelen
- Laat de gebruiker nooit zonder toezicht in dit product achter. Zorg dat een zorgverlener permanent toezicht houdt
- Reparaties/vervangingen mogen alleen worden gedaan met behulp van nieuwe originele R82-reserve-onderdelen en accessoires en volgens de richtlijnen en intervallen voorgeschreven door R82
- In geval van twijfel over het veilig kunnen gebruiken van uw voorziening of als er onderdelen niet juist functioneren, raden wij u aan om de voorziening niet langer te gebruiken en zo spoedig mogelijk contact op te nemen met uw dealer
- Let op dat er geen lichaamsdelen in de bewegende delen bekneld raken terwijl u die afstelt
- Zorg ervoor dat er geen lichaamsdelen vastzitten in openingen voor de montage van steunen/accessoires.
- Het is niet toegestaan om het product te vervoeren terwijl de gebruiker erin zit.

Omgeving

- Controleer de temperatuur van het oppervlak van het product voordat u een gebruiker erin laat plaatsnemen. Dit geldt met name voor gebruikers met een gevoelloze huid, omdat zij geen warmte kunnen voelen. Laat het product voor gebruik afkoelen als het oppervlak warmer is dan 41 °C
- Gebruik deze voorziening op een vlakke ondergrond zonder obstakels. Wees bedacht op een verminderde manoeuvreerbaarheid op gladde

wegen

- Bij gebruik op hellende ondergronden, verwijzen wij u naar de specificatie van de maatgegevens

Kind/tiener

- Als het kind/de tiener tegen het maximale gewicht aan zit en/of veel ongecontroleerde bewegingen maakt, dient u te overwegen om over te stappen op een grotere maat, met een hogere maximale belasting of te kiezen voor een andere voorziening

De voorziening

- Voer voor het eerste gebruik alle in/verstellingen uit aan de voorziening en accessoires en zorg ervoor dat alle knoppen, schroeven en gespen goed vastzitten. Houd alle gereedschappen buiten bereik van kinderen
- Activeer (wanneer aanwezig) de remmen voordat het kind/de tiener in de voorziening wordt geplaatst
- Controleer of de voorziening stabiel staat alvorens het kind/de tiener in de voorziening te plaatsen
- Zorg vóór gebruik dat de zwenkwielen volledig functioneel en veilig zijn
- Inspecteer de voorziening en alle accessoires regelmatig en vervang defecte/versleten onderdelen voor gebruik
- Stel de gasveer niet bloot aan druk en hoge temperaturen. DO niet doorboren.
- Zorg dat de "zuigerstang" niet wordt blootgesteld aan krassen. Gebruik bij voorkeur een (zachte) doek en geen scherp gereedschap voor het bijstellen van de gasveer
- De voetplaat dient alleen als steun! De voetsteun is niet bedoeld om gewicht te dragen.
- Dit product is getest op ontvlambaarheid in overeenstemming met EN 1021-1 en EN 1021-2
- Het product beantwoordt mogelijk niet langer aan de norm voor ontvlambaarheid indien andere dan de originele R82-kussens worden gebruikt.
- Deze voorziening mag niet gebruikt worden in een motorvoertuig. Het kind/de tiener dient plaats te nemen in een autostoel en de voorziening dient te worden opgeborgen in de bagageruimte
- Het kind/de tiener dient niet gebruikt te maken van de voorziening wanneer het in/uit het voertuig wordt getild met behulp van een liftplatform

Onderhoudsinformatie

Het onderhoud van de voorziening is geheel en al de taak van de bezitter van het hulpmiddel. Als een hulpmiddel niet volgens de instructies wordt onderhouden, kan dat de garantie op het hulpmiddel ongeldig maken. Verder kan het niet-onderhouden van een hulpmiddel de klinische toestand of veiligheid van het kind en/of de begeleider in gevaar brengen.

Vóór 1e gebruik

- Lees vóór gebruik van de voorziening de User Guide goed door en bewaar deze op een veilige plek als naslagwerk

Dagelijks

- Gebruik een droge doek om de voorziening te reinigen
- Visuele inspectie: herstel of vervang beschadigde of versleten onderdelen
- Controleer of alle fixaties aanwezig zijn en correct zijn aangebracht
- Controleer alle fixaties en gespen op tekenen van slijtage van onderdelen
- Let op eventuele maximaaanduidingen voordat u een in/verstelling gaat verrichten

Wekelijks

- Controleer (wanneer aanwezig) of alle zwenkwielen vrij kunnen bewegen en of alle wielvergrendelingen en remmen makkelijk kunnen worden geactiveerd
- Veeg resten en vuil weg met een doek die is uitgewrongen in warm water met een mild reinigingsmiddel/milde zeep zonder chloor, en maak het product voor gebruik droog
- Desinfecteer het product. Raadpleeg de sectie "Desinfectie" in deze gebruikershandleiding voor meer informatie.

Maandelijks

- Alle moeren, bouten en knoppen van deze voorziening moeten worden gecontroleerd en aangedraaid om losraken te voorkomen
- Doe wat smeermiddel op de wegzenkbare onderdelen. We raden aan een professioneel smeermiddel te gebruiken

Jaarlijks

- Inspecteer het frame op scheuren en werk de servicechecklist af. Gebruik nooit een voorziening welke gebreken vertoont. Raadpleeg de servicechecklist

Hulpmiddelen wasmachine

Dit product kan gedurende 10 minuten op 60 ° in een wasmachine voor medische hulpmiddelen schoongemaakt worden. Gebruikmakend van een mild schoonmaakmiddel of desinfectie schoonmaakmiddel zonder chloor. Laat het product drogen voor hergebruik.

Desinfectie

Het product kan worden gedesinfecteerd met een ontsmettingsmiddel met isopropylalcohol 70%. Het wordt aanbevolen om eventuele resten en vuil met een doek en warm water met een mild(e) wasmiddel/zeep zonder chloor van het product te verwijderen en het product te laten drogen voordat u gaat desinfecteren.

Service-interval

Elke 12 maanden dient de voorziening een gedetailleerde inspectie te ondergaan. (bij intensief gebruik elke 6 maanden) en elke keer wanneer de voorziening wordt herstrestrekt. De inspectie moet worden uitgevoerd door een technisch bevoegd persoon, die is opgeleid in het onderhoud van de voorziening. Neem contact op met uw lokale dealer voor reparatie instructies.

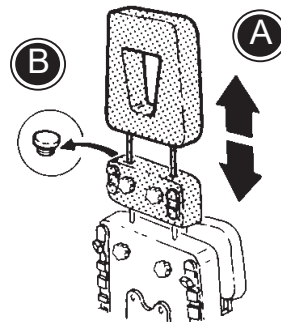
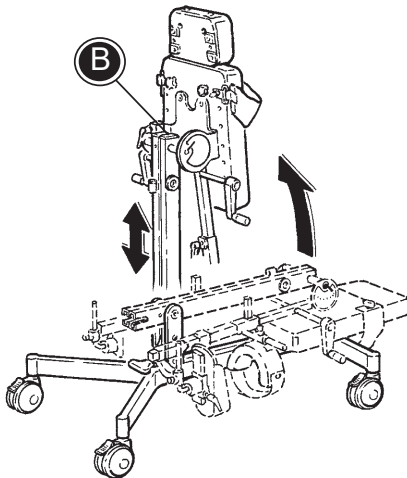
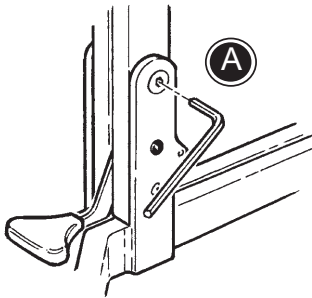


DANSK

Klar til brug

Gazelle PS leveres sammenklappet for at den skal fylde mindre under transporten. For at gøre din Gazelle PS klar til brug, bør nedenstående forklaring følges:

1. Start med at bremse hjulene.
2. Hold igen på gulvstellet med en fod, medens Gazelle PS vipkes op til lodret, ved at løfte i selve liggelejet. Sørg for at Gazelle PS "går i hak" i beslaget på gulvstellet.
3. Når Gazelle PS er i lodret position, spændes skruen (A) med medfølgende 6 mm unbraconøgle. Unbraconøglen er placeret bagpå Gazelle PS (B), så den altid er ved hånden, ved eventuelle justeringer.

**Ansigtsplade**

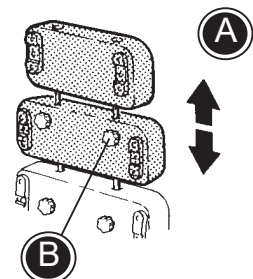
Montering af næseplade:

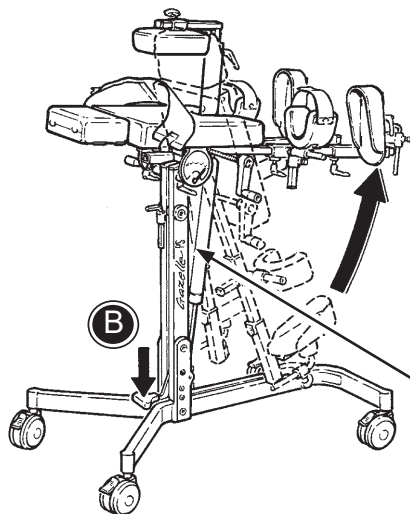
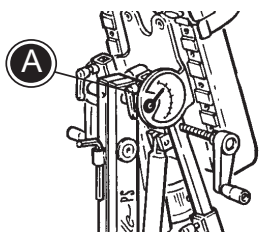
- A. Ansigtspladens to ben placeres i den justerbare brystplade.
- B. Fingerskruerne monteres i hullerne og der spændes til i den ønskede højde.

Det kan være en hjælp at have ansigtspladen monteret mens barnet placeres på lejet i vandret stilling. Ansigtspladen kan fjernes, når barnet er vippet til stående stilling.

Brystplade/Brystforlænger

På Gazelle PS kan der monteres brystplade og brystforlænger, som kan justeres i højden. Spænd fast bagpå ved hjælp af fingerskruerne (B).






Vinkling

Vinkelmåler (A)

Gazelle PS kan vinkles trinløst fra lodret til 15° under vandret (drainage stilling) ved tryk på fodpedal (B).

Som børnesikring, kan Gazelle PS låses fast i den ønskede vinkel. Træk ud og drej fjederknappen nederst på gasfjederen (C) så den låser og pedalen kan ikke længere trædes ned.


 - 05 Risiko for klemning

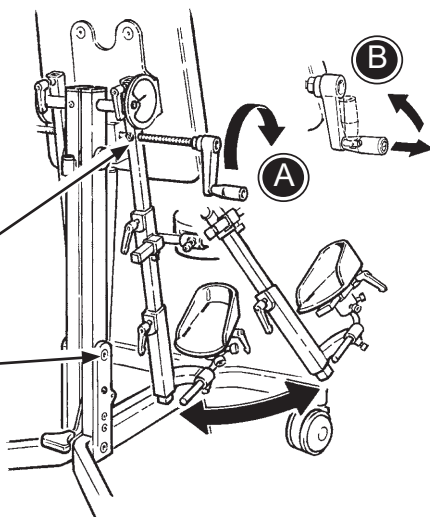
Individuel abduktion

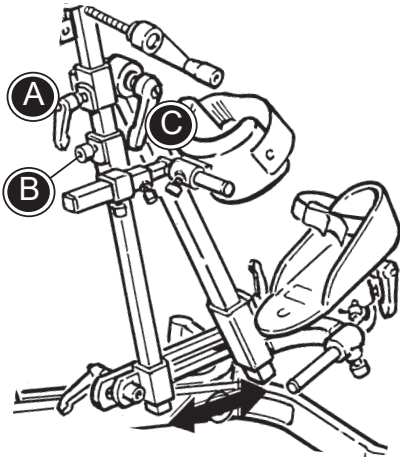
Benenes abduktion kan justeres individuelt fra 0° - 30° ved at dreje på håndtagene (A) på siden.

Svinggreb med vippehåndtag (B).

 - 05 Risiko for klemning

 - 05 Risiko for klemning





Knæstøtter

Som standard leveres Gazelle PS med knæstøtter monteret til brug for mavestående personer. For at vende knæstøtterne til brug for rygstående personer:

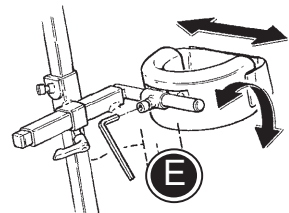
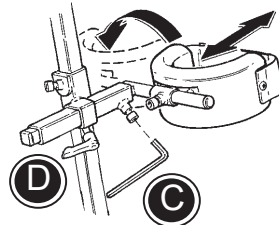
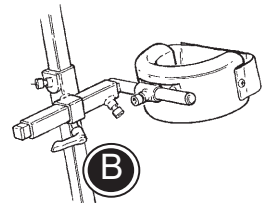
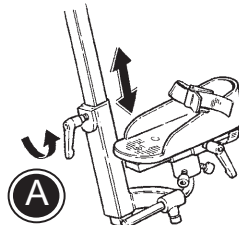
1. Afmonter fodstøtterne ved at løsne gantergrebet (A).
2. Hele knæstøtten afmonteres ved at løsne gantergrebet (B).
3. Montér hele knæstøtten på den modsatte side og spænd fast.
4. Løsn skrue (C) eller (D) og vend knæstøttebeslaget 180°. Spænd fast.
5. Løsn skrue (E) og knæstøtten drejes til brug for rygliggere.

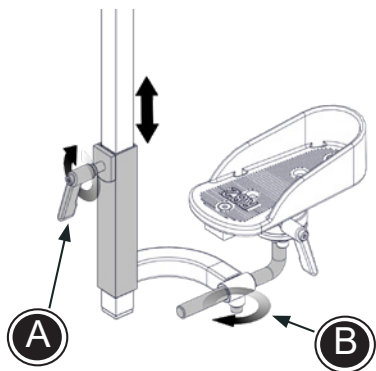
Knæstøtterne kan justeres ved hjælp af medfølgende 6 mm unbraconøgle. Ved at løsne skruerne (C) og (D) indstilles knæstøtten i dybden. Ved at løsne skruen (E) kan knæstøtterne indstilles i bredden samt vinkles. Højden på hele knæstøtten justeres ved hjælp af gantergrebet (B).

Underbensvinkling

Underbensvinklingen monteres på abduktionsstangen.

1. Afmonter fodstøtterne ved at løsne gantergrebet (A).
 2. Afmonter hele knæstøtten ved at løsne unbracoskruen (B).
 3. Montér knæstøtten på underbensvinklingen.
 4. Montér underbensvinklingen og spænd fast med gantergrebet (A).
 5. Montér fodstøtten på underbensvinklingen. Underensvinklingen kan højdejusteres ved hjælp af gantergrebet (A). Vinklingen justeres ved hjælp af gantergrebet (C).
- For justering af fodstøtten se afsnit om fodstøtter.





Fodstøtter

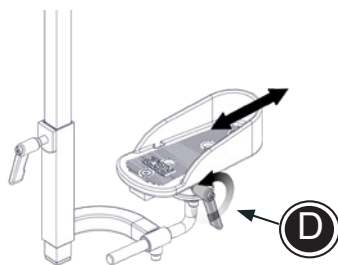
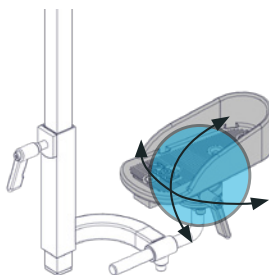
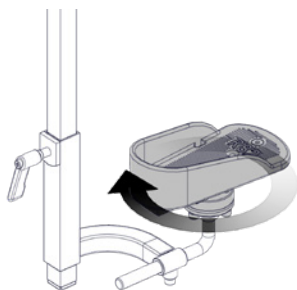
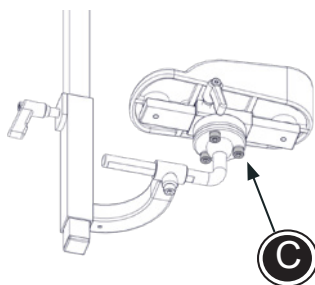
Til brug for rygstående:

Når knæstøtterne er vendt, skal fodstøtterne monteres i samme side som de blev afmonteret.

1. Montér fodstøtterne og spænd fast med ganter grebet (A).
2. Løsn skrue (B) og fodstøtten kan justeres i dybden.
3. Løsn skrue (C) og fodpladen kan drejes 180°.
4. Skrueerne spændes fast i den ønskede position.

Fodpladebeslaget er monteret på et kugleled. Dermed kan fodpladen justeres i forskellige vinkler, ved at løsne skrue (C).

Selve fodpladen kan justeres i dybden ved at løsne gantergrebet (D), eller ved unbracoskruen (B).

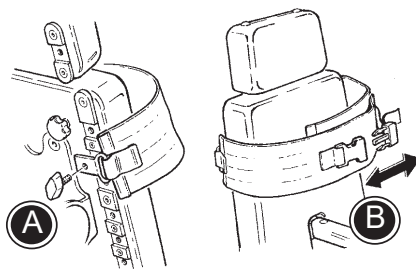




Ryggjord

Ryggjorden monteres bagpå bryststøtten eller basispladen afhængigt af hvor højt støtten ønskes.

Gjorden spændes fast bagpå ved hjælp af fingerskruerne (A) og foran ved hjælp af velcrobånd og et stikspænde (B).



DK

Halestøtte


Halestøtten kan justeres i højden (A) og i dybden (B).

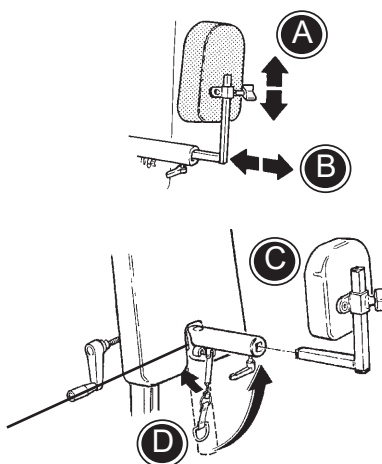
Før man placerer barnet:

1. Halestøtten fjernes (C)
2. Halestøtteholderen nedfældes ved træk i strop (D).

Fastgør i den ønskede position vha. håndtagene. Barnet må ikke sidde på halestøtten! Der skal være min. et par cm. afstand mellem barn og halestøtte-holder.

Husk at fiksere halestøtteholderen grundigt, når den igen slås op.

 - 05 Risiko for klemning





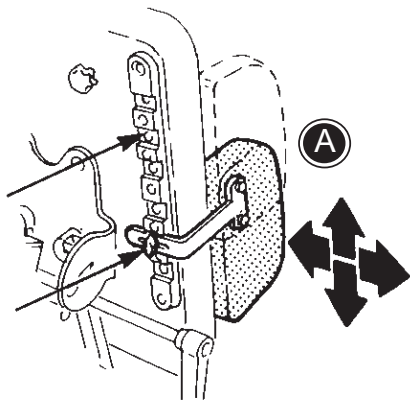
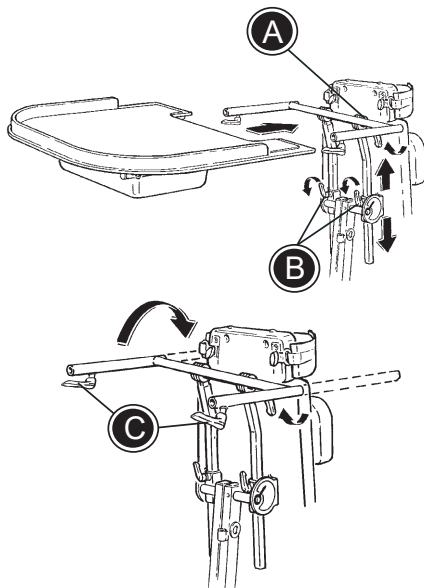
Bord / Baljebord

Bordbeslaget monteres i de to rør bagpå kropsstøtten. Gantergrebene (A) og (B) løsnes helt, bordbeslaget monteres og gantergrebene (A) og (B) spændes igen.

Gantergrebet (A) løsnes og bordbeslaget kan drejes, så det kan bruges til henholdsvis mave- eller rygstående.

Stængerne på bordpladen føres ind i bordbeslaget. Ved den ønskede position spændes til i begge sider vha. gantergrebene (C). Justér bordets højde vha. gantergrebene (B). Hældningen på bordet justeres vha. (A).

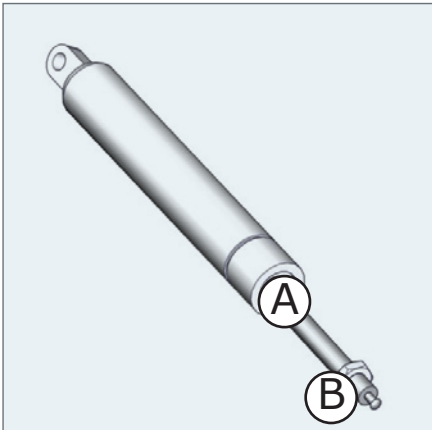
Baljebordet leveres altid med en ekstra plastplade, så det kan benyttes som almindeligt bord.



Sidestøtter

Sidestøtterne monteres på brystpladen som støtte for overkroppen eller på basispladen som støtte for krop og hofter.

De indstilles i højden og bredden og spændes fast ved hjælp af fingerskruerne (A).



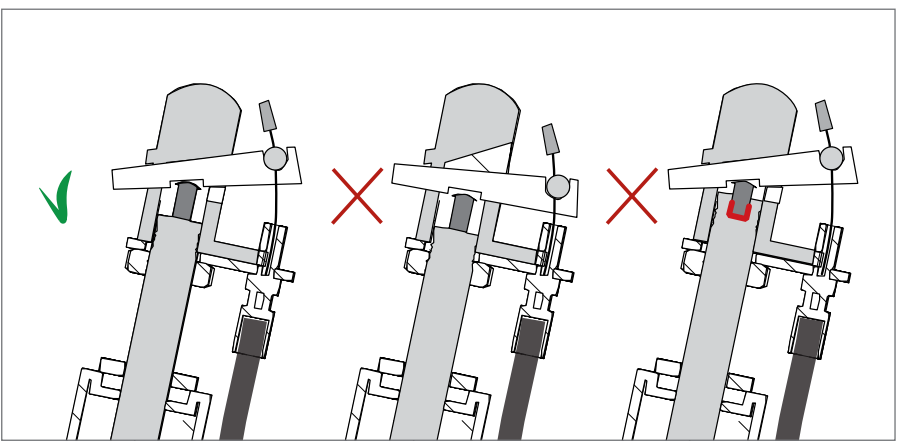
Justering af gasfjeder

Gazelle PS er udstyret med en gasfjeder for vinkeljustering. Efter nogen tid kan det være nødvendigt at justere gasfjederen. Justeringen er nødvendig når:

- Gasfjederen udløser sig selv
- Gasfjederen ikke kan udløses

Hvis gasfjederen udløser sig selv, løsnes møtrikken (B) med en 17 mm fastnøgle. Derefter drejes stempelstangen (A) mod uret for at løsne den. Spænd møtrikken (B) igen.

Hvis gasfjederen ikke kan udløses, løsnes møtrikken (B) med en 17 mm fastnøgle. Derefter drejes stempelstangen (A) med uret for at stramme den. Spænd møtrikken (B) igen.



DK

Tillykke med dit nye produkt fra R82 - en af verdens førende leverandører af hjælpemidler til børn og voksne med særlige behov. For at få fuldt udbytte af de muligheder, produktet tilbyder, anbefaler vi, at du læser denne brugervejledning før brug og gemmer den til fremtidig reference.

Formål

Produktet er en ståstøtte til børn og voksne med funktionsnedsættelser.

Indikationer

Produktet kan bruges af børn og voksne med funktionsnedsættelser, som har begrænset evne til at opretholde en stående stilling. Produktets målgruppe er baseret på funktionsevne og antropometri. Den er ikke baseret på særlige lidelser eller aldersgrupper.

Brugeren er den person, der står i ståstøtten. Hjælperen er den person, der betjener ståstøtten. Efterlad aldrig brugeren uden opsyn i dette produkt. Der skal altid være en hjælper til stede, som holder opsyn. Produktet bruges periodisk i løbet af dagen, når brugeren ikke ligger ned eller sidder i et andet hjælpemiddel eller almindeligt produkt.

Kontraindikationer

Der er ingen kendte kontraindikationer.

Forholdsregler

Vær særlig opmærksom på produktets konfiguration og brugen af tilbehør, hvis brugeren har begrænsninger vedrørende følgende:

- Sensorisk funktion og evne til at føle smerte. Kontroller trykpunkter fra produktets støtte og dets tilbehør ofte.
- Bevægelsesfunktion (f.eks. ufrivillige bevægelser).
- Evne til at opretholde en stående stilling. Brug produktet med tilbehør (f.eks. bryst- eller rygstøtte).
- Evne til at holde hovedet selv. Brug tilbehør eller et produkt, der giver støtte til at holde hovedet.

Anvendelsesområder

Produktet er til indendørs brug

Medfølgende værktøj;

- 6 mm unbraconøgle



Overensstemmelseserklæring

Dette produkt opfylder kravene i regulativet 2017/745, retningslinjer for medicinsk udstyr. CE-mærket skal fjernes ved ombygning af produktet, når det kombineres med et produkt fra en anden fabrikant eller ved anvendelse af andet end originale R82 reservedele og tilbehør. Dette produkt overholder endvidere kravene i henhold til:

- EN 12182



Bortskaffelse

Når et produkt når slutningen af sin livscyklus, bør det skilles ad, så de forskellige materialetyper kan genanvendes eller bortskaffes korrekt. Kontakt din lokale forhandler, hvis der er behov for en præcis beskrivelse af hvert materiale. Kontakt venligst de lokale myndigheder for mulighederne om miljøvenlig genanvendelse eller bortskaffelse i dit område.

Tilbehør og reservedele

Produkterne fra R82 kan forsynes med forskelligt tilbehør, som gør at produktet opfylder den enkelte brugers behov for støtte. Tilbehør og reservedele findes på vores hjemmeside, kontakt din lokale forhandler for yderligere information.

R82 Garanti

R82 yder 2 års garanti mod fejl i materialer og fejl opstået ved fremstillingen af produktet, samt 5 års garanti på stelbrud forårsaget af defekte svejsninger i metalstellet. Garantien vil være under forbehold af kundens ansvar for at overholde serviceeftersyn og vedligehold af produktet med de intervaller, som foreskrives af leverandøren og/eller angivet i User Guide. For yderligere information henvises der til support. R82.org

Levetiden for dette produkt er 8 år ved normal brug og hvis al vedligeholdelse og service udføres i overensstemmelse med producentens anvisninger samt påviseligt registreres.

Garantien ydes kun i det land hvor produktet er blevet købt, og hvis produktet kan identificeres ved hjælp af serienummeret. Garantien dækker ikke hændelig skade, herunder skade forårsaget af fejlagtig anvendelse eller forsømmelse. Garantien omfatter ikke forbrugsvarer f.eks. dæk eller polstring, som er genstand for normal slitage, og som skal udskiftes regelmæssigt.

Garantien dækker ikke, hvis der er anvendt andet end originale dele/tilbehør, eller hvis produktet ikke er vedligeholdt, repareret eller ændret i henhold til retningslinjer og intervaller angivet af leverandøren og/eller i User Guide. R82 forbeholder sig ret til at undersøge produktet, som er genstand for reklamation og den relevante dokumentation, før reklamationen accepteres under garanti, samt bestemme hvorvidt reklamationen skal føre til erstatning eller reparation af produktet. Det er kundens ansvar at returnere det reklamerede produkt under garanti til den adresse, hvor det er blevet købt.

Oplysninger om forsalg

- support.r82.org

Sikkerhed

Skilte, symboler og instruktioner placeret på dette produkt må aldrig blive dækket eller fjernet, og skal være læselige i hele produktets levetid. Ulæselige eller beskadigede tegn, symboler og instruktioner skal straks erstattes eller reparereres. Kontakt din lokale forhandler for vejledning.

I tilfælde af at der opstår en negative hændelse i forbindelse med enheden rettes henvendelse til den lokale forhandler og den nationale kompetente myndighed på rettidig måde. Den lokale forhandler vil viderebringe informationen til producenten.

Hjælper

- Denne User Guide bør læses omhyggeligt før brug og gemmes til fremtidig reference. Brugerens sikkerhed kan afhænge af, at anvisningerne i denne vejledning følges og at produktet anvendes korrekt
- Dette produkt indeholder små dele som kan udgøre kvælningssfare hvis de fjernes fra deres tiltænkte placering
- Brug altid korrekt løfteteknik og hjælpemidler til formålet
- Efterlad aldrig brugeren uden opsyn i dette produkt. Der skal altid være en hjælper til stede, som holder opsyn.
- Reparation/udskiftning må kun ske ved hjælp af nye originale R82 reservedele og tilbehør samt i overensstemmelse med leverandørens anvisninger
- Hvis der er tvivl om sikkerheden ved brug af dit R82 produkt, eller hvis dele skulle svigte, skal du omgående stoppe med at bruge produktet og kontakte din lokale forhandler
- Sørg for at bevægelige dele ikke klemmer eller indfanger kropsdele Når du justerer dem
- Sørg for, at kropsdele ikke fastklemmes i åbninger til montering af tilbehør.
- Transport af produktet, mens brugeren er i det er ikke tilladt.

Omgivelserne

- Check overfladetemperaturen på produktet, før du placerer en bruger i det. Dette gælder især for brugere med ufølsom hud, da de ikke kan mærke varmen. Hvis produktets overfladetemperaturen er over 41 ° C, så skal produktet køle af før brug
- Brug dette produkt på plane flader uden forhindringer. Vær opmærksom på reduceret manøvrerdygtighed på glatteoverflader.
- Tjek oplysningerne i målskemaet hvis produktet skal bruges på skrå veje

Bruger

- Hvis brugeren er tæt på maks. belastningen og/eller har mange ufrivillige bevægelser f.eks. rokkende, bør et produkt med større maks. belastning, eller et andet R82 produkt overvejes.

Produkt

- Efter enhver justering på produkt og tilbehør skal det sikres, at alle knapper, skruer og spænder er sikkerhedsmæssigt fastspændt før brug. Hold alle værktøjer utilgængelig for børn
- Bremsen skal aktiveres, før brugeren placeres
- Stabiliteten af produktet skal sikres, før brugeren placeres i det
- Sørg for at hjul er fuldt funktionelle og sikre før brug
- Undersøg produktet og alt tilbehør og udskift evt. slidte dele før brug
- Gasfjederen må ikke punkteres eller udsættes for høje temperaturer
- Stempelstangen må ikke skrammes. Det er vigtigt at bruge en klud eller lign. som beskyttelse, hvis der bruges værktøj til justering af gasfjederen
- Fodpladen er kun til support! Fodpladen har ikke en bærende funktion
- Dette produkt er testet for resistens overfor antændelse på ikke-antændelig niveau i henhold til EN 1021-1 og 1021-2
- Produktet kan miste sine flammebestandige karakteristika med andet end original R82 polstring
- Dette produkt må ikke anvendes i et motorkøretøj. Brugeren skal være placeret i et køretøjssæde og produktet skal opbevares i bagagerummet
- Brugeren må ikke opholde sig i produktet mens det, ved hjælp af en læssebagsmæk, bliver transporteret ind i eller ud af et motorkøretøj

Service information

Vedligeholdelse af medicinsk udstyr påhviler helt og holdent ejeren af det pågældende produkt. Undladelse af at vedligeholde et produkt i henhold til vejledningen kan medføre, at garantien bortfalder. Desuden kan undladelse påvirke den kliniske tilstand eller sikkerhed for brugeren og/eller plejeren.

1. dag

- Instruktionerne i denne User Guide bør læses omhyggeligt før brug og gemmes til fremtidig reference

Dagligt

- Brug en tør klud til at rengøre produktet
- Visuel inspektion. Reparer eller udskift beskadigede eller slidte dele
- Kontroller at alt udstyr er på plads og monteret korrekt
- Tjek alle seler, veste og spænder for tegn på slitage. Udskift hvis nødvendigt
- Vær opmærksom på evt. MAX-mærker før justering

Ugentligt

- Kontroller at alle hjul bevæger sig frit, og at alle låse/bremser let kan aktiveres
- Brug en klud med varmt vand og et mildt rengøringsmiddel til at aftørre snavs og skidt fra produktet. Tør efter med en tør klud
- Desinficere produktet. Se venligst afsnittet for desinfektion i denne brugervejledning for yderligere oplysninger

Månedligt

- For at undgå fejl skal alle møtrikker og bolte på dette produkt kontrolleres og efterspændes
- Alle svingbare dele skal tilføjes smøremiddel. Vi anbefaler at bruge et professionelt smøremiddel

Årligt

- Efterse stellet for synlige brud eller tegn på slitage. Brug aldrig et produkt, der viser tegn på fejl. Udfør årlig service

Vaskemaskine

Dette produkt kan vaskes i 10 minutter ved 60°, med et mildt rengørings- eller desinfektionsmiddel uden klor, i en maskine beregnet til medicinsk udstyr. Lad produktet tørre, før det bruges igen.

Desinfektion

Produktet kan desinficeres med en desinficerende 70 % IPA-opløsning. Det anbefales at aftørre produktet og fjerne eventuelle rester og snavs med en klud med varmt vand og et mildt rengøringsmiddel/sæbe uden klorin, og lad det tørre før desinficering.

Service interval

En detaljeret inspektion af produktet skal ske hver 12. måned (hver 6. måned for tunge brugere), samt hver gang produktet overdrages til en ny bruger. Inspektionen skal udføres af en teknisk kompetent person, der er uddannet i brugen af produktet.

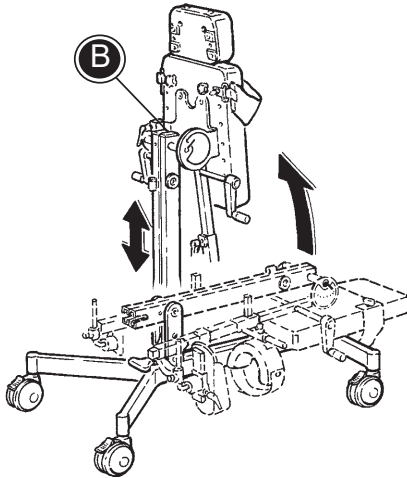
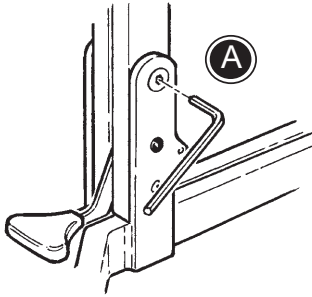


NORSK

Klar til bruk

Gazelle PS leveres sammenslått for at den skal ta mindre plass under transport. For å klargjøre produktet bør følgende gjøres:

1. Start med å bremse hjulene.
2. Hold imot med en fot på understellet mens produktet vipres opp til loddrett stilling ved å løfte selve liggeleiet. Sørg for at produktet "smetter inn" i beslaget på understellet.
3. Når produktet er i loddrett stilling strammes skruen (A) med den medfølgende 6 m.m. unbraconøkkelen. (B)



Ansiktsplate

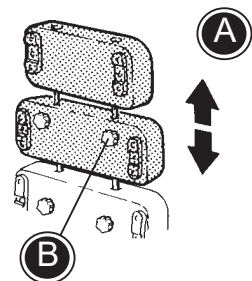
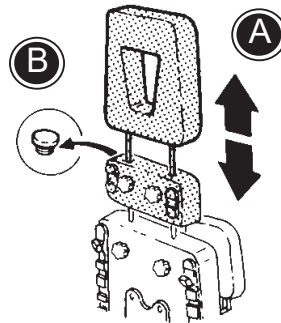
Montering av ansiktsplaten:

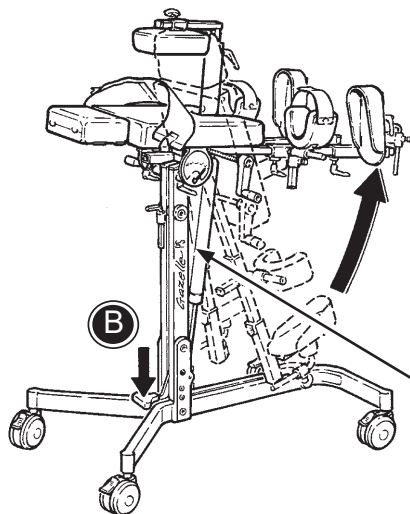
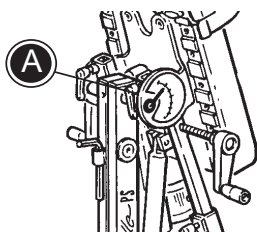
- A. Ansiktsplaten og hjelpehjulet plasseres i den justerbare brystplaten.
- B. Fingerskruene monteres i hullene og festes i ønsket høyde.

Det kan være en hjelp å ha ansiktsplaten montert mens barnet plasseres på ståstativet i vannrett stilling. Ansiktsplaten kan fjernes når barnet er vippt til stående stilling.

Brystplate/brystforlenger

På Gazelle PS kan det påmonteres en brystplate og brystforlenger som kan justeres i høyden (A). Spenn fast bak med fingerskruene (B).





Vinkling

Vinkelmåler (A).

Gazelle PS kan vinkles trinnløst fra loddrett til 15° under vannrett (drenasjeleie) ved å trykke på fotpedalen (B).

Som barnesikring kan Gazelle PS låses fast i ønsket vinkel. Trekk ut og dreii fjærknappen nederst på gassfjæren (C) slik at den låses og pedalen ikke lenger kan trykkes ned.

 - 05 Klemfare

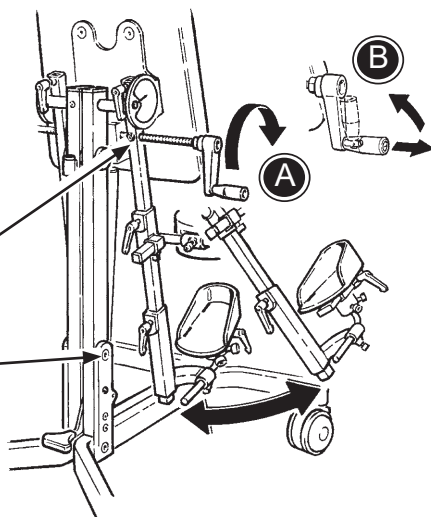
Individuell abduksjon

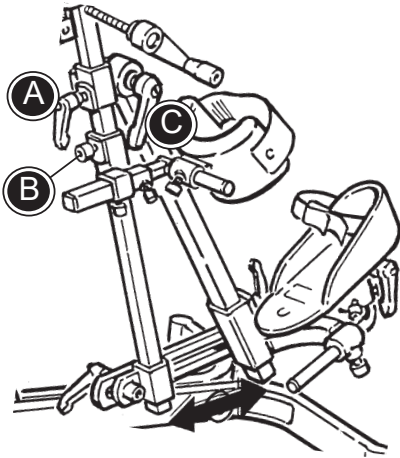
Benenes abduksjon kan justeres individuelt fra 0° - 30° ved at dreije på håndtagene (A) på siden.

Svinggreb med vippehåndtag (B).

 - 05 Klemfare

 - 05 Klemfare





Knestøtter

Gazelle PS leveres som standard med knestøtter montert til bruk for mavestående barn. Gjør følgende for å vende knestøttene til bruk for ryggstående barn:

1. Ta av fotstøttene ved å løsne gantegrepet (A).
2. Hele knestøtten demonteres ved å løsne gantegrepet (B).
3. Monter hele knestøtten på motsatt side og spenn fast.
4. Løsne skruen (C) og gantegrepet (D) og vend knestøttebeslaget 180°. Spenn fast.
5. Løsne skruen (E) slik at knestøtten kan dreies til bruk for ryggstående.

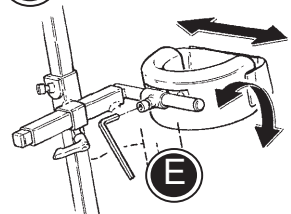
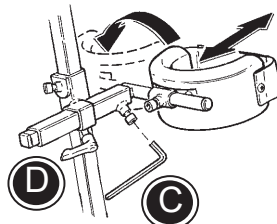
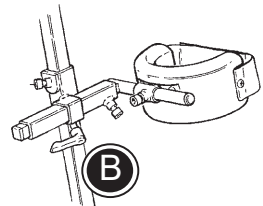
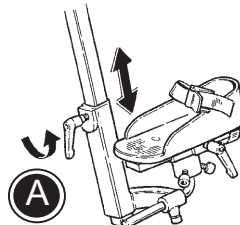
Knestøtten kan justeres med den 6m.m. unbraconøkkelen. Ved å løsne skruene (C) og (D), innstilles knestøtten i dybden. Ved å løsne skruen (E) kan knestøtten innstilles i bredden samt vinkles. Høyden på hele knestøtten justeres med gantegrepet (B).

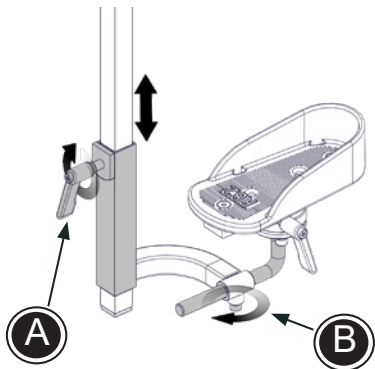
Benstøttevinkling

Montering av benstøtterne:

1. Ta av fotstøttene ved å løsne gantegrepet (A).
2. Knestøtten kan fjernes ved å løsne unbraconskruen (B).
3. Monter knestøtten på benstøtterne.
4. Monter benstøtterne og fest med gantegrepet (A).
5. Monter fotstøtten på benstøtten.
6. Benstøttevinklingen kan høydejusteres med gantegrepet (A). Vinklingen justeres med gantegrepet (C).

For justering av fotstøtten, se avsnitt om fotstøtter.





Fotstøtter

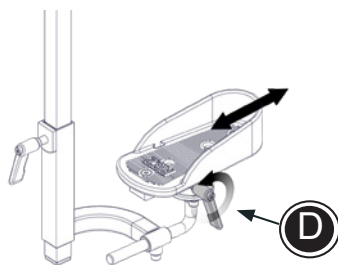
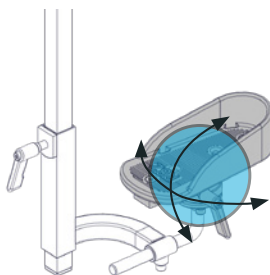
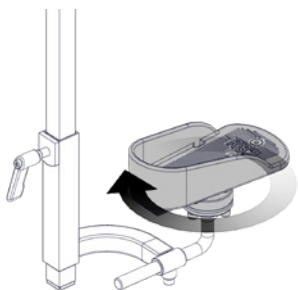
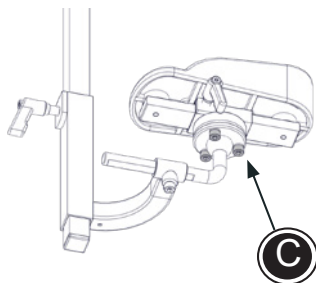
Til bruk for ryggstående:

Når knestøttene er vendt skal fotstøttene monteres i samme side som de ble montert av.

1. Monter fotstøttene og fest dem med gantegrepet (A).
2. Løsne skruen (B) så kan fotstøtten justeres i dybden.
3. Løsne skruen (C) så kan fotplaten dreies 180°
4. Skruene festes i ønsket stilling.

Fotplatebeslagene er montert på et kuleledd. Dermed kan fotplaten justeres i forskjellige vinkler ved å løsne skruene (C).

Selve fotplaten kan justeres i dybden ved å løsne gantegrepet (D) eller med unbraconøkkelen (B).

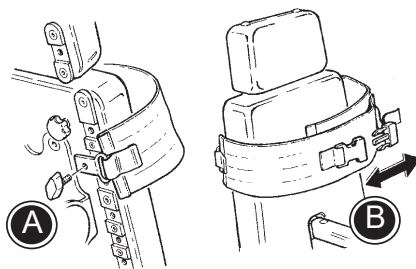




Ryggbånd

Ryggbåndet monteres bak på bryststøtten eller basisplaten, alt avhengig av hvor høyt støtten ønskes.

Båndet festes bak med fingerskruene(A), borrelås og spenne (B).



NO

Bakstøtte

Bakstøtten kan justeres i høyden (A) og dybden (B).

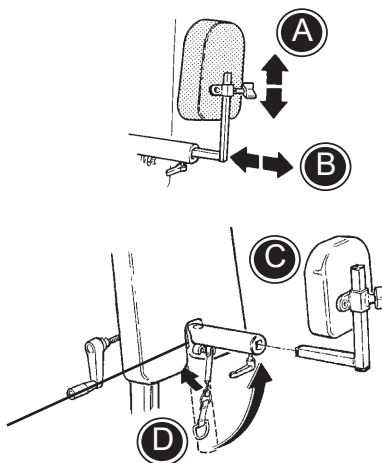
Før barnet plasseres må:

1. Bakstøtten fjernes (C)
2. Holderen til bakstøtten felles ned ved å trekke i stroppen (D).

Fest bakstøtten i ønskes stilling med håndtakene. Vær oppmerksom på at barnet ikke "sitter" på bakstøtten. Det skal være noen cm. avstand.

Husk å feste bakstøtten godt når den slås opp.

 - 05 Klemfare





Bord / baljebord

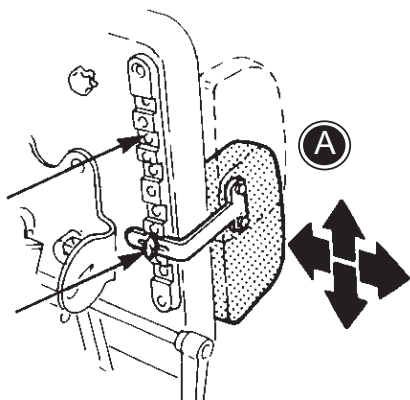
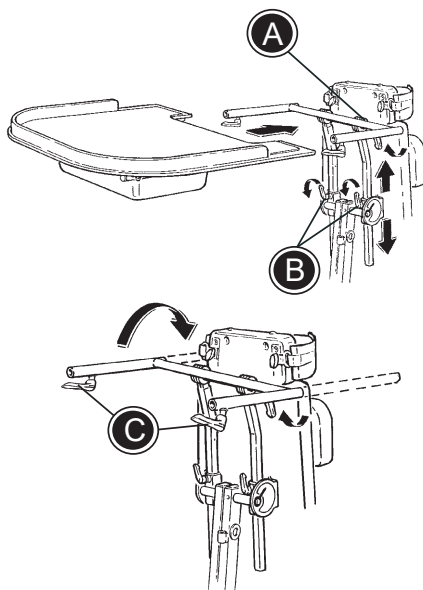
Bordbeslaget monteres i de to rørene bak på kroppsstøtten. Gantergrepene (A) og (B) løsnes helt, bordbeslaget monteres og gantergrepene skrues fast igjen.

Gantergrepet (A) løsnes og bordbeslaget kan dreies slik at det kan brukes henholdsvis til mage- eller ryggstående.

Stengene på bordplaten føres inn i bordbeslaget. Ved korrekt posisjon skrues gantergrepene (C) fast i begge sider.

Juster bordhøyden ved hjelp av gantergrepene (B). Bordet vinkles ved hjelp av (A).

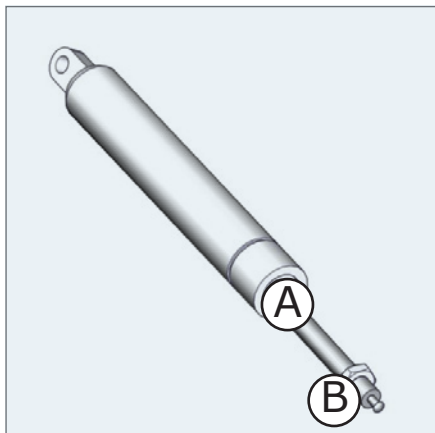
Baljebordet leveres alltid med en ekstra plastplate så det kan benyttes som vanlig bord.



Sidestøtter

Sidestøttene monteres på brystplaten som støtte for overkroppen, eller på basisplaten som støtte for kropp og hofter.

De innstilles i høyde og bredde og festes med fingerskruene (A).



Justering av gassfjær

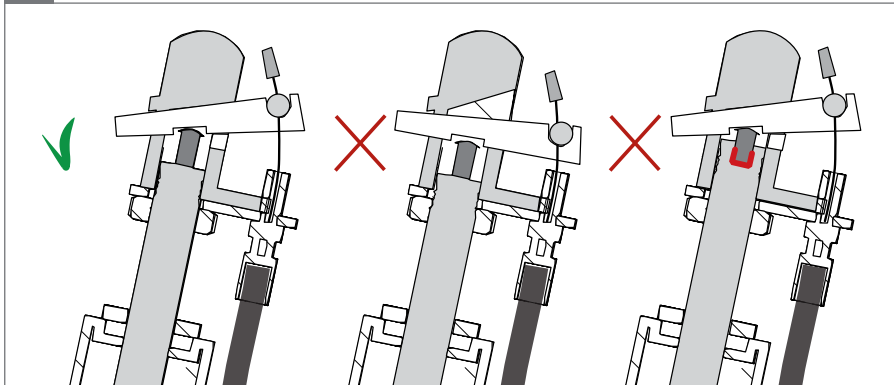
Gazelle PS er utstyrt med en gassfjær for vinkeljustering. Etter en tid kan det være nødvendig å justere gassfjæren. Justering er nødvendig når:

- Gassfjæren utløser seg selv
- Gassfjæren ikke kan utløses

Hvis gassfjæren utløser seg selv løsnes mutteren (B) med en 17 m.m. fastnøkkel. Deretter dreies stempelstangen (A) mot klokken for å løsne den. Fest mutteren (B) igjen .

Hvis gassfjæren ikke kan utløses løsnes mutteren (B) med en 17 m.m. fastnøkkel. Deretter dreies stempelstangen (A) med klokken for å stramme den. Fest mutteren (B) igjen.

2.



Vi setter pris på at du velger et nytt produkt fra R82 - verdensomfattende leverandør av tekniske hjelpemidler og anordninger for barn og voksne med spesielle behov. Les bruksanvisningen før bruk for å få maksimal nytte av alle mulighetene som dette produktet gir, og ta vare på bruksanvisningen for senere bruk.

Tiltenkt bruk

Utstyret er en ståramme for barn og voksne med funksjonshemninger.

Indikasjoner

Utstyret kan brukes av barn og voksne med funksjonshemninger og som har problemer med å stå oppreist. Målgruppen for utstyret er basert på funksjonalitet og antropometri. Den er ikke basert på spesifikk helsetilstand eller alder.

Brukeren er personen som står i rammen. Pleieren er personen som betjener rammen. La aldri brukeren være uten tilsyn i dette utstyret. Pleieren må kunne overvåke kontinuerlig. Utstyret vil ikke bli brukt hele dagen, da brukeren flere ganger i løpet av dagen vil legge seg ned eller sitte i et annet hjelpemiddel eller et konvensjonelt produkt.

Kontraindikasjoner

Det finnes ingen kjente kontraindikasjoner.

Forholdsregler

Vær spesielt oppmerksom på hvordan produktet konfigureres og bruken av tilbehør for brukere med begrensninger når det gjelder:

- Sanssefunksjoner og smertefølelse. Gjør ekstra undersøkelser av trykk som følge av støtten fra produktet og tilbehøret.
- Bevegelighet (f.eks. utilsiktede bevegelser).
- Mulighet til å beholde en oppreist posisjon. Bruk produktet med tilbehør (f.eks. bryst- eller ryggstøtte).
- Mulighet til å beholde hodeposisjonen. Vurder å bruke tilbehør eller et produkt som gir hjelp til plassering av hodet.

Bruksområder

Produktet er ment for bruk innendørs

Medfølgende verktøy;

- 6 mm unbraconøkkel



Samsvarserklæring

Dette produktet samsvarer med kravene i forordningen for medisinsk utstyr (2017/745). CE-merket skal fjernes ved ombygging av produktet, hvis det brukes i kombinasjon med et produkt fra en annen produsent, eller ved bruk av andre reservedeler og utstyr enn originalt R82-utstyr. Dette produktet samsvarer også med kravene i:

- EN 12182



Resirkuleringsinformasjon

Når et produkt skal kasseres, bør materialene inndeles etter type, slik at delene kan resirkuleres eller avhendes på en forskriftsmessig måte. Hvis nødvendig, ta kontakt med din lokale forhandler for en presis beskrivelse av hvert materiale. Ta kontakt med lokale myndigheter vedrørende muligheter for resirkulering, eller en annen miljøvennlig måte å avhende et brukt produkt på.

Tilbehør og reservedeler

Produkter fra R82 kan leveres med en rekke tilbehør som tilfredsstillende enkelte brukers behov. Reservedeler er tilgjengelige, og bestilles på kundens forespørsel. Finn det spesifikke tilbehør på vår hjemmeside, eller kontakt din lokale forhandler for ytterligere informasjon.

R82 Garanti

R82 gir en 2 års garanti mot feil i utførelse og materialer og en 5 års garanti mot brudd i metallrammen som skyldes feil i sveisearbeidet. Garantien kan påvirkes negativt hvis kundens ansvar for å utføre service og/eller daglig vedlikehold ikke blir overholdt i samsvar med de retningslinjene og intervallene som er foreskrevet av leverandøren og/eller slik det framgår av User Guide. For ytterligere informasjon henviser vi til hjemmesiden for R82 under nedlastinger.

Produktets levetid ved normal bruk er 8 år, hvis alt vedlikehold og service utføres i henhold til produsentens anvisninger, og kan dokumenteres. Garantien er bare gyldig i landet der produktet ble kjøpt, og hvis produktet kan identifiseres med serienummeret. Garantien dekker ikke tilfeldig skade, inkludert skade forårsaket ved feil bruk eller forsømmelse. Garantien omfatter ikke slitedeler f.eks. dekk eller polstring, som er utsatt for normal slitasje, og som skal skiftes regelmessig.

Garantien anses som ugyldig hvis andre enn originale deler/tilbehør er brukt, eller hvis produktet ikke har vært vedlikeholdt, reparert eller endret i samsvar med retningslinjene og intervallene som er foreskrevet av leverandøren og/eller oppgitt i User Guide. R82 forbeholder seg retten til å inspisere det produkt som det er kommet klage på, samt relevant dokumentasjon, før garantikravet aksepteres, og for å avgjøre om det defekte produktet kan bli erstattet eller reparert. Det er kundens ansvar å returnere varen som skal repareres i garantitiden til adressen hvor det er kjøpt.

Informasjon før salg

- Support.r82.org

Sikkerhet

Merker, symboler og instruksjoner som er plassert på dette produktet skal aldri tildekkes eller fjernes, og må være til stede og lett leselige i hele produktets levetid. Uleselige eller skadede merker, symboler og instruksjoner skal erstattes eller repareres umiddelbart. Kontakt din lokale forhandler for å få instruksjoner.

Hvis det skulle oppstå en negativ hendelse knyttet til enheten, skal hendelsen rapporteres til din lokale forhandler og de nasjonale kompetente myndighetene så raskt som mulig. Den lokale forhandleren vil videregående informasjonen til produsenten.

Omsorgsperson

- Les bruksanvisningen nøye før bruk, og oppbevar den for fremtidig referanse. Feil bruk av dette produktet kan forårsake alvorlig skade på brukeren
- Dette produktet inneholder små deler som kan utgjøre kvelningsfare hvis de fjernes fra sin tiltenkte plassering
- Bruk alltid riktig løfteteknikk og hjelpemidler for formålet
- La aldri brukeren være uten tilsyn i dette utstyret. Pleieren må kunne overvåke kontinuerlig
- Reoparasjon/utskifting må kun foretas ved hjelp av nye originale R82 reservedeler og beslag og utføres i samsvar med retningslinjene og serviceintervallene som er foreskrevet av leverandøren
- Hvis du er i tvil til om at produktet er trygt å bruke, eller om noen av delene skulle svikte, skal bruk av produktet opphøre umiddelbart. Kontakt din lokale forhandler så snart som mulig
- Pass på at bevegelige deler ikke klemmer eller klyper kroppsdeler når de justeres
- Pass på at ingen kroppsdeler setter seg fast i åpningene for montering av støtteenheter/tilbehør.
- Det er ikke tillatt å transportere produktet mens brukeren befinner seg i det.

Miljø

- Kontroller overflatetemperaturen på produktet før brukeren plasseres i det. Dette gjelder spesielt brukere med ufølsom hud, fordi de ikke kan føle varmen. Hvis overflatetemperaturen er høyere enn 41 °C, må produktet kjøles ned før bruk
- Bruk dette produktet på jevnt underlag uten hindringer. Vær oppmerksom på redusert manøvringssevne på glatt underlag
- Når brukt på hellende underlag, se målskjema

Bruker

- Dersom brukerens vekt er nær anbefalt maks-vekt, og / eller har mange ukontrollerte bevegelser som f.eks. rokking, bør et produkt i en større størrelse med høyere maks-vekt, eller et annet R82 produkt, vurderes

Produkt

- Utfør alle posisjonelle justeringer på produkt og tilbehør, og sørg for at alle knotter, skruer og spenner er godt festet før bruk. Oppbevar alt verktøy utilgjengelig for barn
- Aktiver bremsene før brukeren plasseres i produktet
- Påse at stabiliteten av produktet opprettholdes før du plasserer brukeren i det
- Kontroller at svinghjulene fungerer som de skal og er sikre før bruk
- Kontrollerer produkt og alt tilbehør, og erstatt eventuelle utslitte deler før bruk
- Ikke utsett gassfjæren for trykk eller høye temperaturer. MÅ IKKE perforeres. (gjennomhulles)
- Stempelstangen må ikke skades. Det er viktig å bruke en klut eller lignende som beskyttelse, når det brukes verktøy ved justering av gassfjæren
- Fotplaten er kun ment som støtte! Fotstøtten tåler ikke å belastes med vekt
- Produktet er testet for antennelighet iht. EN 1021-1 og EN 1021-2, og er klassifisert som ikke-antennelig
- Produktet kan imidlertid miste flammemotstanden hvis det brukes andre puter enn de originale R82-putene
- Dette produktet skal ikke brukes i kjøretøy. Brukeren skal være plassert i et bilsete, og produkt skal være stuet i bagasjerommet
- Brukeren skal ikke sitte i produktet mens det blir flyttet inn i eller ut av et kjøretøy på en løfterampe.

Serviceinformasjon

Vedlikehold av medisinsk utstyr er eierens ansvar. Hvis det er mangelfullt vedlikehold av produktet i henhold til bruksanvisningen, kan dette ugyldiggjøre garantier knyttet til produktet. Ytterligere unnlatelse av vedlikeholdet kan påvirke den kliniske tilstanden eller sikkerheten for brukere og / eller deres omsorgspersoner.

1. dag

- Les bruksanvisningen nøye før bruk og oppbevar den på et trygt sted for fremtidig referanse

Daglig

- Bruk en tørr klut til å rengjøre produktet
- Visuell inspeksjon. Reparer eller bytt skadede eller slitte deler
- Pass på at alt utstyr er på plass og korrekt montert
- Kontroller alt utstyr og spenner for tegn på utslitte deler
- Vær oppmerksom på eventuelle MAX merker før justering

Ukentlig

- Sjekk at alle hjulene beveger seg fritt og at alle hjul- låser / bremses lett kan aktiveres
- Tørk av rester og smuss på produktet med en klut som er vridd opp i varmt vann og mildt vaskemiddel/såpe uten klor, og tørk produktet før bruk
- Desinfiser produktet. Du finner mer informasjon i delen om desinfeksjon i denne brukerveiledningen.

Månedlig

- Alle muttere og bolter på dette produktet må kontrolleres og strammes for å unngå unødvendige feil
- De utsvingbare delene skal oljes. Vi anbefaler å bruke et profesjonelt smøremiddel

Årlig

- Kontroller rammen for synlige brudd eller tegn på slitasje. Bruk aldri et produkt som viser tegn på feil. Gjennomfør årlig service

Rengjøring

Dette produktet kan vaskes i 10 minutter på 60° i vaskemaskin beregnet for vask av medisinsk utstyr, ved bruk av mildt vaskemiddel eller desinfeksjonsmiddel uten klorin. Det er viktig å la utstyret tørke ordentlig før bruk.

Desinfeksjon

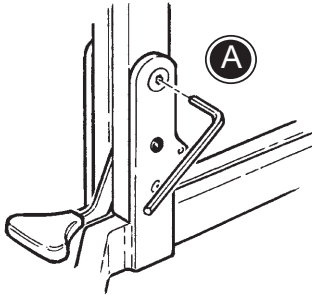
Produktet kan desinfiseres med en 70 % desinfiserende IPA-løsning. Det anbefales å tørke av rester og smuss på produktet med en klut med varmt vann og mildt vaskemiddel/såpe uten klor, og la produktet tørke før bruk

Service-intervall

En grundig kontroll av produktet skal gjøres hver 12 måned (for tunge brukere: hver 6 måneder) og hver gang produktet tas i bruk på nytt. Kontrollen skal gjennomføres av en teknisk kompetent person som har fått opplæring i bruk av produktet. Kontakt din lokale leverandør for instruksjon om reparasjoner.

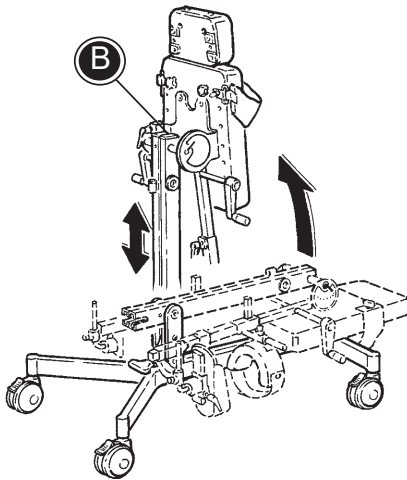


SVENSKA

**Klar til använda**

Gazelle PS levereras ihopfäld för att ta mindre plats vid transport. För att din Gazelle PS ska kunna användas ska följande anvisning följas:

1. Bromsa alla hjul.
2. Sätt ena foten på underredet, medan Gazelle PS fälls upp till lodrät position. Lyft upp liggdelen. Se till att Gazelle PS hamnar rätt i beslaget på under redet.
3. När Gazelle PS är i lodrät position skruvas skruven (A) fast med medföljande 6 mm insexnyckel. Insexnyckeln är placerad bakpå Gazelle PS (B), så att den alltid finns till hands vid eventuella justeringar.

**Dyna med andningshål**

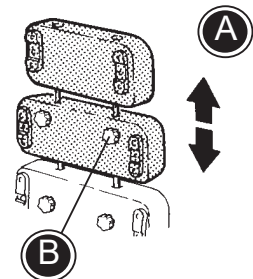
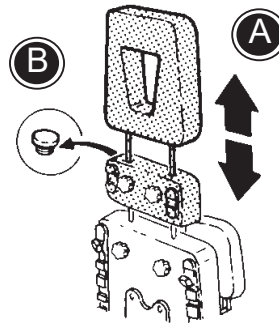
Montering av dyna med andningshål:

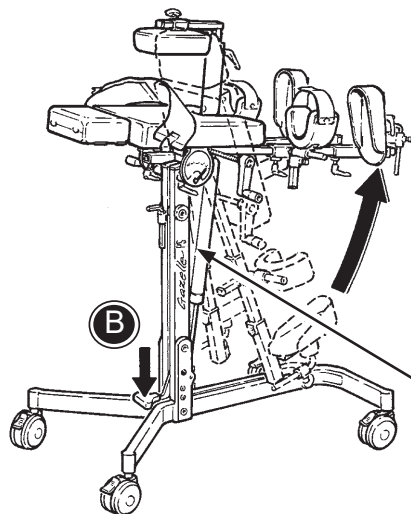
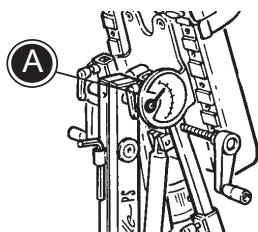
- A. Dynans två stag placeras i förlängningsdelen efter att plastpluggarna har avlägsnats.
- B. Rattarna monteras i hålen och spänns fast i önskad höjd.

Dyna med andningshål kan vara en hjälp när barnet placeras på Gazelle PS i vågrätt läge. Den kan sedan tas bort när barnet är tippat till stående ställning.

Förlängningsdel

Förlängningsdelarna kan höjjusteras (A).
Spänn fast med hjälp av rattarna (B).





Vinkling

Vinkelmått (A).

Gazelle PS kan vinklas steglöst från lodrätt till -15° (dränageställning) genom att trycka på fotpedalen (B).

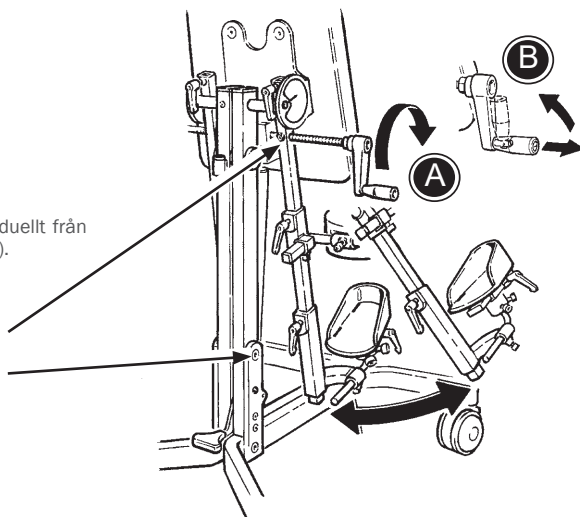
Som barnsäkring kan Gazelle PS låsas fast i den önskade vinkeln. Den nedersta skivan vid fotpedalen (C) skruvas ast och pedalen kan inte längre tryckas ned.

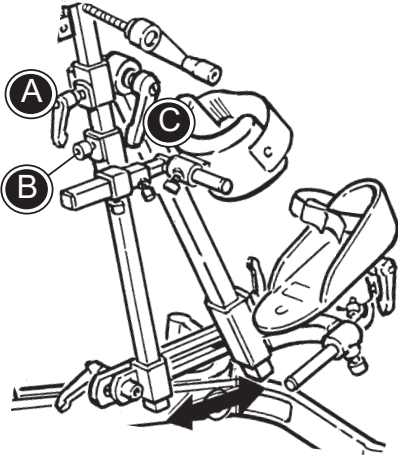


Individuell abduktion

Benens abduktion kan justeras individuellt från 0° - 30° genom att veva på handtag (A).

Invikbart handtag på veven (B).





Knästöd

Som standard levereras Gazelle PS med knästöd monterade för magstående personer. För att vända knästöden för användning av ryggstående personer:

1. Montera av fotstöden genom att lossa låsvredet (A).
2. Hela knästöden monteras av genom att lossa låsvredet (B).
3. Montera hela knästöden på motsatta sidan och spänn fast.
4. Lossa insexskruven (C) eller (D) och vänd knästödsstaget 180°. Spänn fast.
5. Lossa insexskruven (E) och knästödet vänds till användning för ryggstående.

Knästöden kan justeras med hjälp av medföljande 6 mm insexnyckel. Genom att lossa insexskruvarna (C) och (D) ställs knästöden in i djupet. Genom att lossa insexskruven (E) kan knästöden ställas in i bredd samt vinklas. Höjden på hela knästödet justeras med hjälp av låsvredet (B).

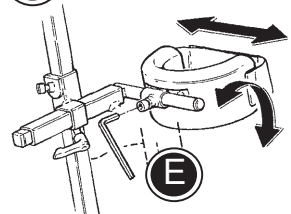
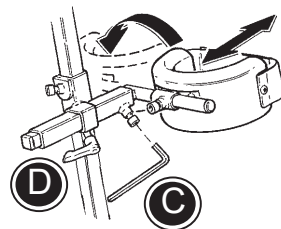
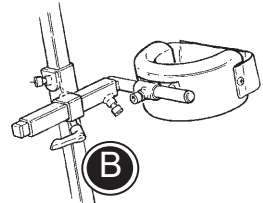
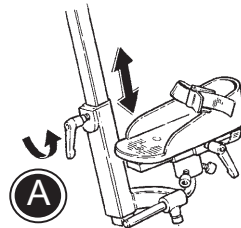
Underbensvinkling

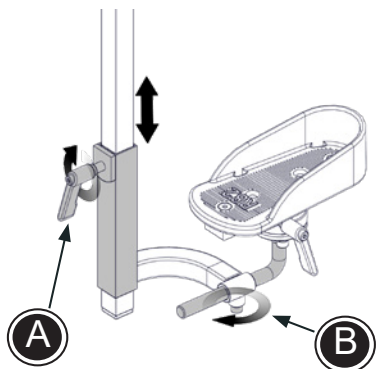
Underbensvinklingen monteras på abduktionsstaget.

1. Montera av fotstöden genom att lossa låsvredet (A).
2. Montera av hela knästödet genom att lossa låsvredet (B).
3. Montera knästöden på underbensvinklingen.
4. Montera underbensvinklingen och spänn fast det med låsvredet (A).
5. Montera fotstöden på underbensvinklingen.

Underbensvinklingen kan höjjusteras med hjälp av låsvredet (A). Underbensvinklingen justeras med hjälp av låsvredet (C).

För justering av fotstöden se avsnittet om fotstöd.





Fotplattor

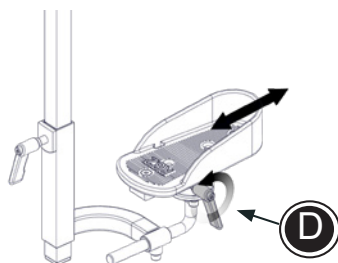
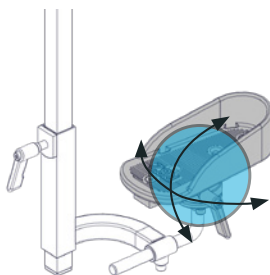
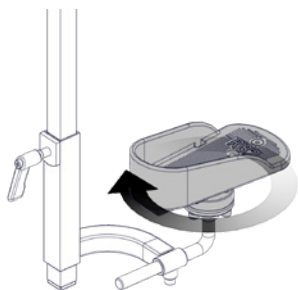
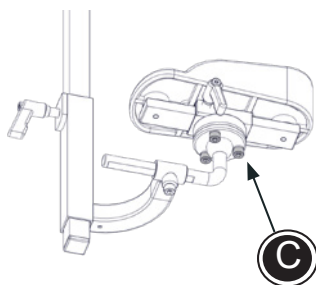
För ryggstående:

När knästöden är vända ska fotstöden monteras på samma sida som de monterades av från.

1. Montera fotstöden och spänn fast med låsvredet (A).
2. Lossa insexskruven (B) och fotstöden kan justeras i djupled.
3. Lossa insexskruvarna (C) och fotstödet kan vändas 180°.
4. Insexskruvarna späns fast i den önskade positionen.

Beslaget till fotplattan är monterat på en kulle. Därför kan fotplattan justeras i olika vinklar genom att lossa insexskruvarna (C).

Själva fotplattan kan regleras i djup genom att lossa låsvredet (D) eller med insexskruven (B).

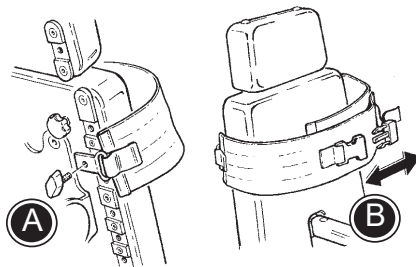




Bälte

Bältet kan monteras på förlängningsdelen eller på basplattan beroende på hur högt stödet behövs.

Bältet spänns fast bakpå med hjälp av ratarna (A). Bältet spänns frampå med hjälp av kardborreband och stikspänne (B).



Ryggstöd

Ryggstödet kan justeras i höjd (A) och i djup (B).
Innan man placerar barnet:

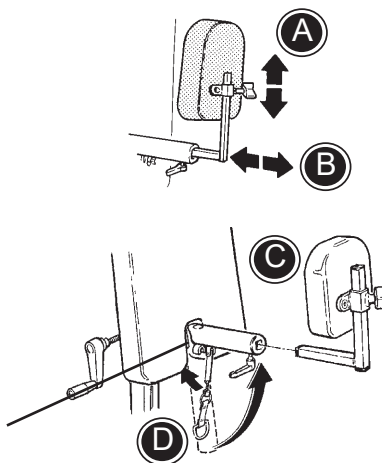
1. Ryggstödet tas av (C).
2. Ryggstödshållaren fälls ner genom att dra i remmen (D).

Lås fast i önskad position med hjälp av vreden. Var uppmärksam på att barnet inte "sitter" på ryggstödshållaren. Det ska vara ett avstånd på minst ett par cm.

Kom ihåg att fixera ryggstödet noga, när den fälls upp igen.



- 05 Klämrisk





Bord / lekbord

Skruva loss låsvreden (A) och (B) helt och montera beslaget i de två rören bak på. Dra åt låsvreden (A) och (B) igen.

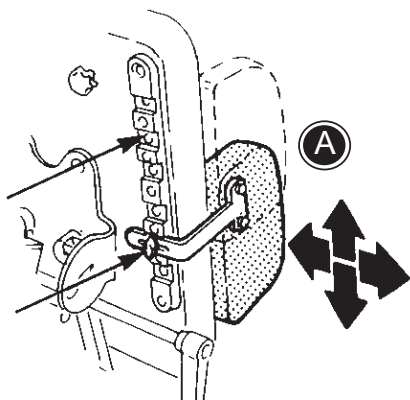
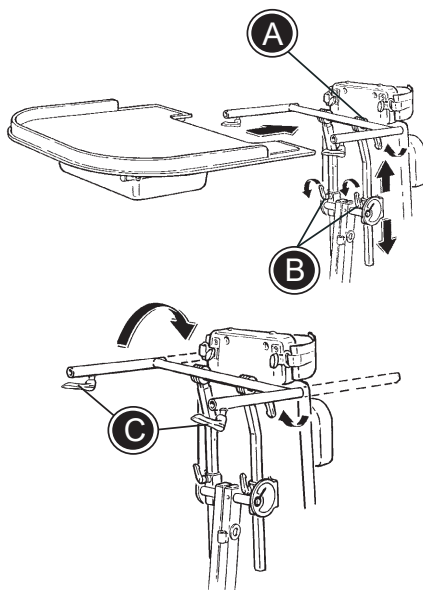
Skruva loss låsvredet (A) och bordsbeslaget kan vändas så det kan användas till antingen mag- eller ryggstående.

Montera bordet på bordsbeslaget. Vid den önskade positionen drar man åt på båda sidorna med låsvredet (C).

Höjden på bordet kan regleras genom att lossa vredet (B).

Lutningen på bordet kan regleras genom att lossa vredet (A).

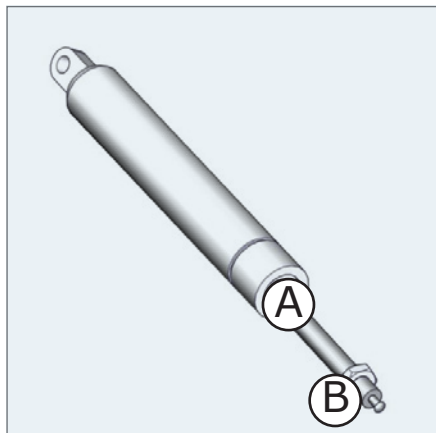
Lekbordet levereras alltid med en plastplatta så att det kan användas som ett vanligt bord.



Sidostöd

Sidostöden monteras på förlängningsdelen som stöd för överkroppen eller på basplattan som stöd för bål och höfter.

De regleras i höjd och bredd och spänns fast med hjälp av rattarna (A).



Justering av gaskolv

Gazelle PS är utrustade med gaskolv, ex vinkel- och höjjustering.

Efter en tid kan man behöva justera gaskolven. Justeringen är nödvändig när:

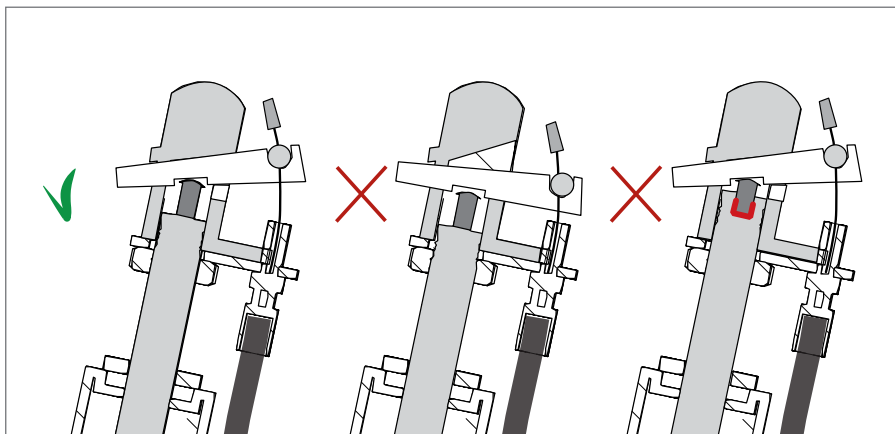
Gaskolven utlöser sig själv

Gaskolven inte kan utlösas överhuvudtaget.

Om gaskolven utlöser sig själv, lossar man muttern med en 17 mm nyckel. Spänn genom att vrida kolven medturs. Dra åt muttern igen.

Om gaskolven inte kan utlösas överhuvudtaget, lossar man muttern med en 17 mm nyckel. Lossa genom att vrida kolven mots. Dra åt muttern igen.

SV



Vi uppskattar att du väljer en ny produkt från R82, en global leverantör av tekniska hjälpmedel och anordningar för barn och vuxna med särskilda behov. Läs denna användarhandbok före användning och spara den för framtida behov, för att dra full nytta av valmöjligheterna som erbjuds genom denna produkt.

Avsett ändamål

Enheten är en stående ram för barn och vuxna med funktionsnedsättning.

Indikationer

Enheten kan användas av barn och vuxna med funktionsnedsättningar som har begränsad förmåga att bibehålla stående position. Målgruppen för enheten baseras på funktionsförmåga och antropometri. Den baseras inte på ett specifikt hälsotillstånd eller ålder.

Användaren är personen som står i ramen. Vårdgivaren är personen som manövrerar ramen. Lämna aldrig användaren utan tillsyn i denna produkt. Säkerställ att användaren permanent övervakas av en vårdgivare. Användningen av enheten kommer att avbrytas flera gånger om dagen då användaren ligger ner eller sitter i en annan hjälpanordning eller en konventionell produkt.

Kontraindikationer

Det finns inga kända kontraindikationer.

Försiktighetsåtgärder

Särskild uppmärksamhet ska ägnas åt hänsyn till produktens konfiguration och användningen av tillbehören för användare med begränsningar av:

- Sina sensoriska funktioner och smärtkänsla. Överväg extra kontroller av trycket orsakat av stödet som ges av produkten och dess tillbehör.
- Rörelsefunktion (t.ex. upplever ofrivilliga rörelser).
- Förmågan att bibehålla stående position. Använd produkten med tillbehör (t.ex. stöd för bröstkorg och rygg).
- Förmågan att bibehålla huvudets läge. Överväg att använda tillbehör eller en produkt som ger stöd åt huvudets läge.

Användningsområden

Produkten är avsedd för inomhusbruk.

Medföljande verktyg:

- 6 mm insexnyckel



Deklaration om överensstämmelse

Denna produkt uppfyller kraven i förordningen för medicintekniska produkter (2017/745). CE-märkningen måste tas bort när produkten byggs om, används i kombination med produkter från en annan tillverkare eller vid användning av reservdelar och utrustning som inte är R82-

originaldelar. Denna produkt uppfyller även kraven i:

- EN 12182



Information om återvinning

En uttjänt produkt ska plockas isär och sorteras efter materialslag så att delarna kan återvinnas eller kasseras på rätt sätt. Du kan kontakta din lokala återförsäljare för en exakt beskrivning av varje material. Vänligen kontakta dina lokala myndigheter för information om möjligheterna för återvinning eller ett miljövänligt sätt att kasta använd produkt.

Tillbehör och reservdelar

Det finns flera olika tillbehör till produkten från R82. Tillbehören är anpassade för varje brukares behov. Reservdelar kan fås på begäran. De specifika tillbehören finns på vår webbplats och du kan kontakta din lokala återförsäljare för ytterligare information.

R82-garanti

R82 lämnar en 2-årsgaranti med avseende på brister som orsakats av tillverkningsfel eller bristfälligt material och en 5-årsgaranti när det gäller brott på metallramen orsakade av bristfälliga svetsfogar. Det kan ha en negativ inverkan på garantin om kunden underlåter att utföra erforderlig service och/eller dagligt underhåll i enlighet med riktlinjerna och föreskrivna intervall som anges av leverantören och/eller i User Guide. För mer information – se R82:s webbplats/nedladdning.

Livslängden för produkten vid normal användning är åtta år om allt underhåll och all service registreras och utförs enligt tillverkarens anvisningar.

Garantin gäller endast i det land där produkten har köpts, och om produkten kan identifieras med ett serienummer. Garantin täcker inte skada genom olyckshändelse, inklusive skada orsakad av felaktig användning eller försumelse. Garantin omfattar inte förbrukningsartiklar, t.ex. däck eller klädsel, som utsätts för normalt slitage och behöver bytas ut regelbundet.

Garantin blir ogiltig om andra delar än originaldelar används, eller om produkten inte har underhållits, reparerats eller ändrats i enlighet med riktlinjerna i våra instruktioner och enligt de intervaller som rekommenderas av leverantören och/eller anges i vår User Guide. R82 förbehåller sig rätten att granska både den produkt som garantianspråket gäller och relevant dokumentation innan garantianspråket godkänns, samt att avgöra om den defekta produkten ska repareras eller bytas ut. Kunden ansvarar för att returnera den produkt som garantianspråket avser till inköpsstället.

Information om förhandsförsäljning

- Support.r82.org

Säkerhet

Skyltar/etiketter, symboler och instruktioner på produkten får aldrig täckas över eller tas bort, utan måste förbli synliga och möjliga att läsa under hela produktens livslängd. Byt ut eller lappa ihop oläsliga eller skadade skyltar/etiketter, symboler och instruktioner omgående. Kontakta din lokala återförsäljare för instruktioner.

Om en biverkning uppstår i samband med produkten ska den utan dröjsmål rapporteras till den lokala återförsäljaren och den behöriga nationella myndigheten. Den lokala återförsäljaren kommer att vidarebefordra informationen till tillverkaren.

Vårdare

- Läs igenom User Guide noggrant före användning och behåll dem för framtida behov. Om produkten används felaktigt kan brukaren skadas allvarligt
- Den här produkten innehåller små delar som kan utgöra en kvävningsrisk om de tas bort från deras avsedda plats
- Använd alltid korrekt lyftteknik och hjälpmedel som är lämpliga för ändamålet
- Lämna aldrig användaren utan tillsyn i denna produkt. Säkerställ att användaren permanent övervakas av en vårdgivare.
- Vid reparation/byte av delar får endast nya originaldelar och originaltillbehör från R82 användas, och arbetet måste utföras i enlighet med de riktlinjer och intervall som föreskrivs av leverantören
- Avbryt användningen av produkten och kontakta din lokala återförsäljare så fort som möjligt om något inträffar som gör att din produkt från R82 inte känns säker eller om några delar går sönder
- Se till att inga kroppsdelar kläms eller fastnar i de rörliga delarna när de justeras
- Se till att inga kroppsdelar fastnar i öppningar för montering av stöd/tillbehör.
- Produkten får inte transporteras medan brukaren befinner sig i den. Produkten får användas för kortare transporter förutsatt att brukaren sitter tryggt fastspänd i den. Undvik att köra över hinder under transporten.

Miljö

- Kontrollera hur varm produkten är på ytan innan brukaren placeras i den. Detta är särskilt viktigt för brukare med okänslig hud eftersom de inte känner värmen. Låt produkten svalna innan den används om ytan är varmare än 41 °C.
- Använd produkten på ett plant underlag som är fritt från hinder. Var uppmärksam på att manövreringen kan försämrats vid halt

underlag

- Se mått vid användning på sluttande vägar

Brukare

- Om brukarens vikt ligger nära produktens maxvärden och/eller om brukaren gör många ofrivilliga rörelser, t.ex. gungar, kan det vara lämpligt att i stället välja en större storlek, som klarar av högre belastning, eller en annan produkt från R82

Produkt

- Gör alla lägesinställningar för produkten och tillbehören och kontrollera att alla vred, skruvar och spännen sitter fast ordentligt före användning. Förvara alla verktyg utom räckhåll för barn
- Aktivera bromsarna innan brukaren placeras i produkten
- Kontrollera produktens stabilitet innan du placerar brukaren i den
- Kontrollera att hjulen och däcken fungerar och är säkra innan användning
- Kontrollera produkten och alla tillbehör och byt ut alla utslitna delar innan användning
- Utsätt inte gasfjädern för tryck eller höga temperaturer. Punktera EJ. Se till att pistonstången inte repas
- Det är viktigt att använda en trasa eller liknande om verktyg används vid justering av gasfjädern
- Fotplattan finns endast för att ge stöd! Fotstödet är inte konstruerat för att bära upp någon vikt.
- EN 1021-1 och EN 1021-2 Produkten har provats gällande antändlighet och är icke-antändlig enligt
- Produkten kan förlora sina flamhämmande egenskaper om den används med stoppning som inte kommer från R82
- Produkten ska inte användas inuti fordon. Brukaren måste sitta i ett bilsäte och produkten ska förvaras i bagageutrymmet
- Brukaren får inte befinna sig i produkten när den transporteras in i eller ut ur ett fordon med hjälp av en baggavellyft.

Serviceinformation

Underhållet av en medicinteknisk produkt är helt ägarens ansvar. Om instruktionerna gällande underhåll inte följs kan detta göra att garantin upphör att gälla. Dessutom kan underlåtenhet att underhålla produkten äventyra det kliniska tillståndet eller säkerheten för brukare och/eller vårdare.

Första dagen

- Läs igenom bruksanvisningen noggrant före användning och behåll den för framtida behov

Dagligen

- Använd en torr trasa för att rengöra produkten
- Visuell inspektion. Reparera eller byt ut eventuella skadade eller utslitna delar
- Se till att alla fästen sitter där de ska och har monterats på rätt sätt
- Kontrollera att inga fästen och spännen är utslitna
- Observera eventuella MAX-markeringar innan justering

Varje vecka

- Kontrollera att alla hjulen rör sig fritt och att alla hjullås/-bromsar lätt slås till
- Använd en trasa som doppats i varmt vatten med mildt rengöringsmedel/tvål utan blekmedel och som vridits ur för att torka bort skräp och smuts. Torka torrt före användning.
- Desinfektera produkten; mer information finns i avsnittet om desinfektion i denna bruksanvisning

Varje månad

- Alla muttrar och bultar på denna produkt måste kontrolleras och dras åt för att undvika onödiga fel
- Olja de svängbara delarna. Vi rekommenderar att du använder ett professionellt system för smörjning

Årligen

- Kontrollera att ramen inte har några sprickor och utför punkterna på checklistan för service. Använd aldrig en produkt där något fel misstänks. Vänligen se checklistan för service

Rengöring

Denna produkt kan tvättas i 10 minuter vid 60 ° i tvättmaskinen som är avsedda för att tvätta medicintekniska produkter, med ett mildt rengöringsmedel eller desinfektionsmedel utan klor. Det är viktigt att låta din utrustning torka ordentligt innan du använder.

Desinfektion

Produkten kan desinficeras med en 70 % isopropanollösning. Vi rekommenderar att man använder en trasa som doppats i varmt vatten med mildt rengöringsmedel/tvål utan blekmedel för att torka bort skräp och smuts. Låt torka före desinficering.

Serviceintervall

En utförlig kontroll av produkten måste göras en gång om året (en gång i halvåret vid mer frekvent användning) och varje gång som produkten tas i bruk efter uppehåll. Kontrollen bör utföras av en tekniskt kunnig person som har utbildats i hur produkten används. Kontakta din hjälpmedelscentral för instruktioner om reparationer t ex arbete med punktering.

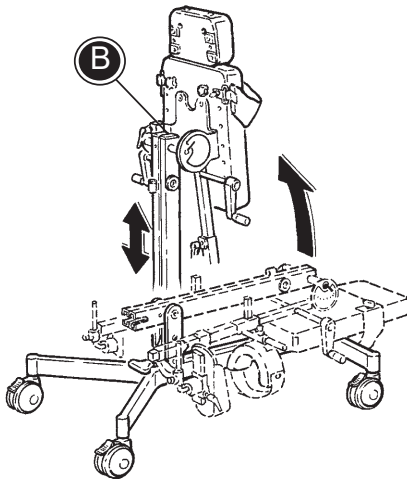
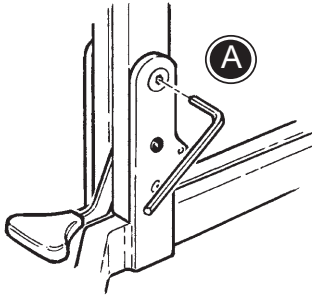


SUOMI

Käyttövalmiiksi

Gazelle PS toimitetaan kokoontaitettuna tilan säästämiseksi kuljetuksen aikana. Noudata alla olevaa ohjetta Gazelle PS:n taittamiseksi auki:

1. Varmista, että kaikki neljä pyörää ovat lukitut.
2. Paina jalalla alustarunkoa, jolloin Gazelle PS nousee pystyasentoon. Varmista, että Gazelle PS istuu tarkasti alustarungolla olevaan kannattimeen.
3. Kiristä ruuvi (A) mukana toimitteulla 6 mm:n kuusiokoloavaimella Gazelle PS:n ollessa pystyasennossa. Kuusiokoloavain on sijoitettu Gazelle PS:n mukaan (B) ja on aina saatavilla säätöjen tekemiseksi.

**Pääntuki kasvo-aukolla**

Kasvoaukolla varustetun pääntuen asentaminen:

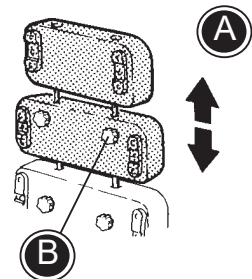
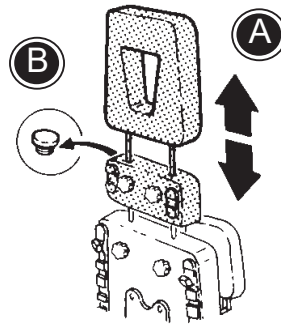
- A. Kaksi pidiketankoa kulkevat säädettävän vartaloituksen läpi kahden muovitulpan poistamisen jälkeen.
- B. Rajoittimet voidaan ruuvata paikoilleen, kun säädettävään vartaloitukseen on leikattu aukot.

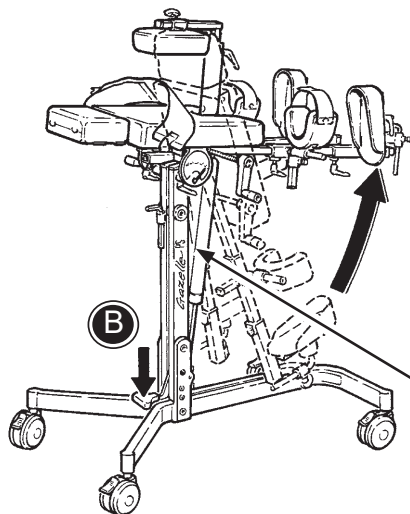
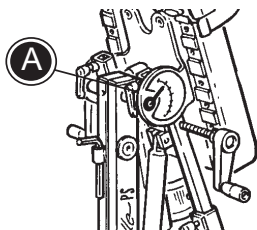
Saattaa olla hyödyllistä asentaa kasvoaukolla varustettu pääntuki ennen lapsen sijoittamista vaakasuorassa olevalle alustalle. Irrota pääntuki, kun alusta nostetaan pystyasentoon.

Vartaloituki ja jatke

Korkeussäädettävä vartaloituki ja jatke voidaan asentaa Gazelle PS:ään (A).

Kiristä takana olevat ruuvit (B).





Kallistussäätö

Kulma-asteikko (A)

Säädä Gazelle PS:n kallistusta pystysuorasta 15°:een vaakasuoran alapuolelle painamalla jalkapoljinta (B).

Jalkapoljin voidaan turvallisuuden vuoksi lukita haluttuun kallistusasemaan. Kierrä kaasujousen alapäässä olevaa painiketta ja Gazelle PS lukittuu (C).

 - 05 Puristumisvaara

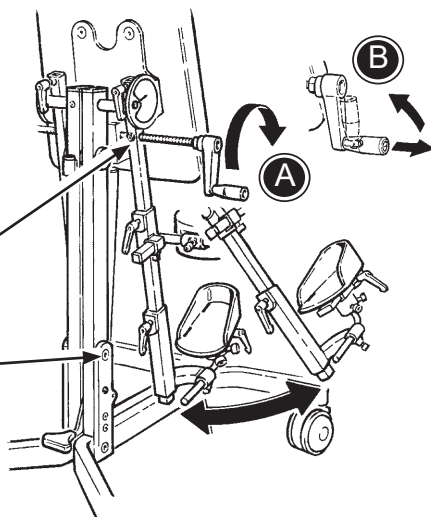
Itsenäinen abduktio

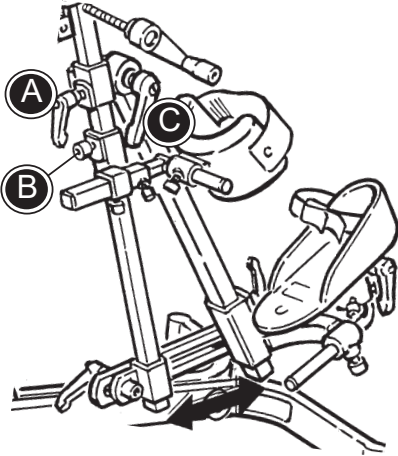
Abduktiota säädetään 0° - 30° kiertämällä molemmilla puolin olevaa kahvaa (A).

Sisäänvedettävä kahva kallistuksensäätöä varten (B).

 - 05 Puristumisvaara

 - 05 Puristumisvaara





Polvituki

Gazelle PS:n perustoimitukseen kuuluvat polvituet eteenpäinseisovien lasten käytettäväksi. Käännä polvituet ympäri niiden käyttämiseksi selinseisovia lapsia varten:

1. Avaa vipua (A) jalkatukien irrottamiseksi.
2. Avaa vipua (B) koko polvitukirakennelman irrottamiseksi.
3. Asenna koko polvitukirakennelma vastakkaiselle puolelle ja kiristä vivulla.
4. Käännä polvituen kannatinta 180° avaamalla ruuveja (C) ja (D).
5. Avaa ruuvia (E) ja käännä polvituki ympäri selinseisovia lapsia varten.

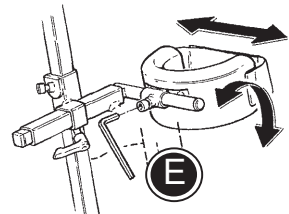
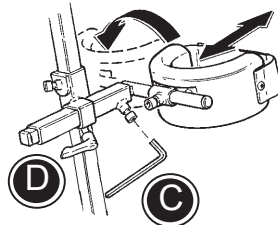
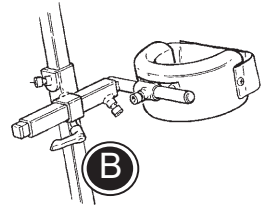
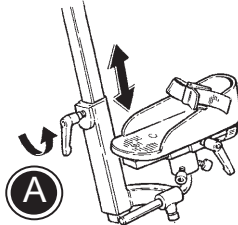
Säädä polvitukea mukana toimitetulla 6 mm:n kuusiokoloavaimella. Avaa ruuveja (C) ja (D), ja polvitukien syvyyttä voidaan säätää. Avaamalla ruuvia (E) polvituet säätävät leveyssuunnassa ja kallistukseltaan. Säädä koko polvitukirakennelman korkeutta vivulla (B).

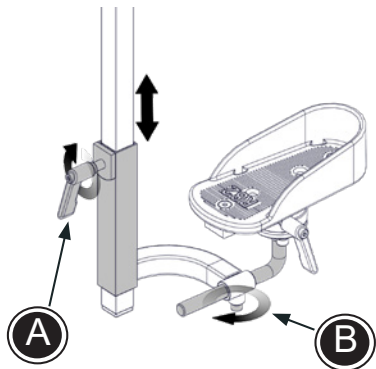
Säären kulmasäätö

Asenna säären kulmasäätöön käytettävä tanko abduktiotankoon seuraavasti:

1. Avaa kahvaa (A) tuen poistamiseksi.
2. Avaa kuusiokoloruuvia (B) polvitukien irrottamiseksi.
3. Asenna polvituki säären kulmasäätimen tankoon ja kiristä kahva (A).
4. Asenna jalkatuki säären kulmasäätimen tankoon.

Säädä säären kulmasäätimen korkeutta kiertämällä kahvaa (B) ja säädä kulmaa kiertämällä kahvaa (C). Jalkatuen säätämisen osalta katso sivu 16.





Jalkatuki

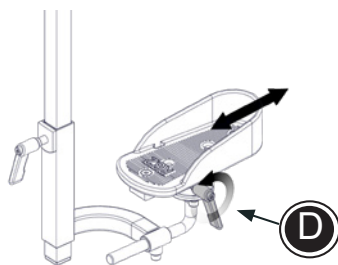
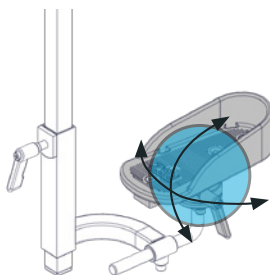
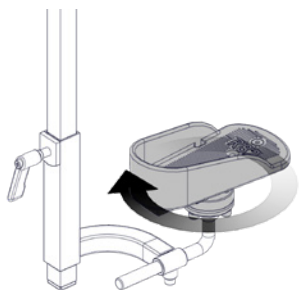
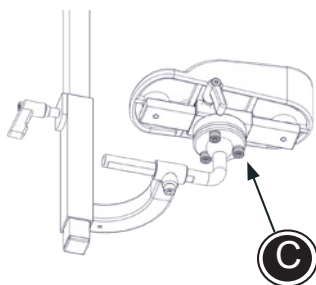
Selinsisäisistä varten:

Kun polvituki käännetään, on jalkatuki asennettava samalle puolelle, josta ne purettiin.

1. Asenna jalkatuet ja kiristä vipu. (A).
2. Avaa ruuvia (B) ja säädä jalkatuen korkeus.
3. Avaa ruuveja (C) ja käännä jalkatukea 180°.
4. Kiristä ruuvit vaadittuun asentoon.

Jalkatuen kannatin asennetaan niveleen. Tämän avulla jalkalevyä voidaan säätää eri kulmiin avaamalla ruuveja (C).

Levyä voidaan säätää syvyyssuunnassa avaamalla vipua (D) tai avaamalla ruuvia (B).

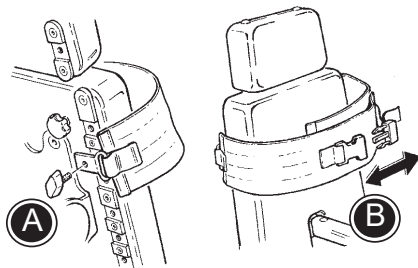




Hihna

Asenna hihna vartalon tuen päälle tai pohjalevyyn riippuen siitä, missä tukea tarvitaan.

Hihna asennetaan taakse (A) ja kiinnitetään edestä tarranauhalla ja pikalukitussojella (B).



FIN

Selkätuki

Selkätukea voidaan säätää korkeus- (A) ja syvyysuunnassa (B).

Ennen lapsen asettamista:

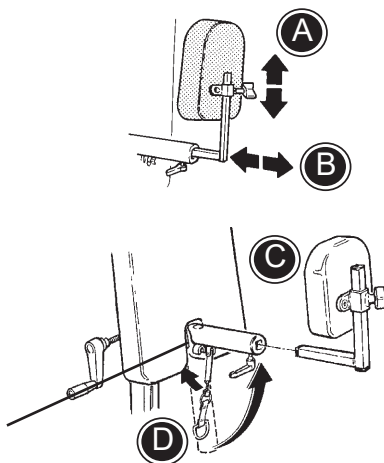
1. Irrota selkätuki (C).
2. Taita selkätuen kannatin alas avausketjusta (D) vetämällä.

Kiristä vivuilla.

Lapsi ei saa istua selkätuen kannattimella. Lapsen ja kannattimen välissä on aina oltava muutamia senttimetrejä.

HUOM! Noudata varovaisuutta selkätukea uudelleen asentaessasi.

 - 05 Puristumisvaara





Pöytä kaukalolla tai ilman

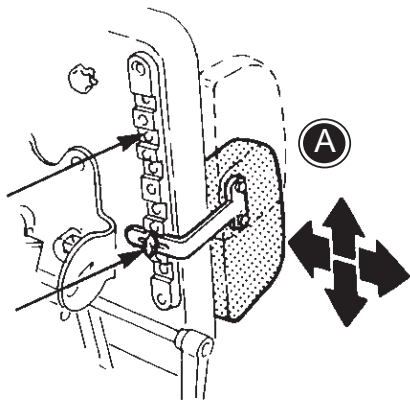
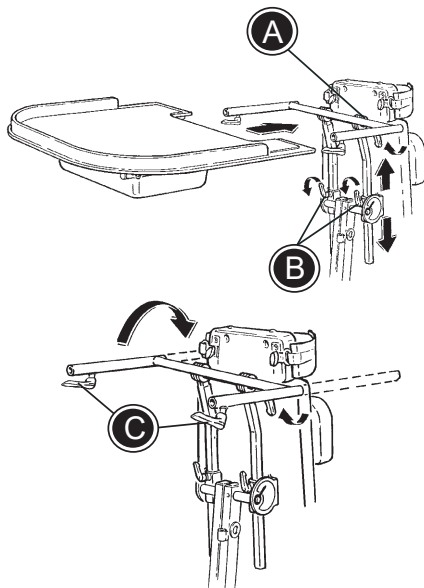
Avaa suuret kahvat (A) ja (B) kokonaan ja sijoita pöydän kannatin kahteen selkänöjässä olevaan putkeen. Kiristä suuret kahvat (A) ja (B) uudelleen.

Avaa suurta kahvaa (A) ja pöytärakennelmaa voidaan kääntää ympäri 180 astetta joko päin- tai selinseisomisasentoa varten.

Aseta pöytä asennusputkiin. Kun haluttu kohta on saavutettu, kiristä suuret kahvat (C).

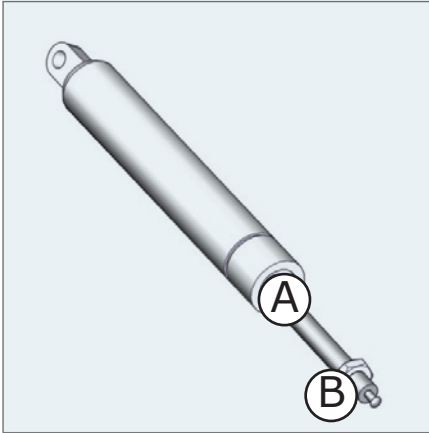
Avaa kahvoja (B) pöydän korkeuden säätämiseksi. Avaa kahvaa (A) pöydän kallistuksen säätämiseksi.

Kaukalolla varustettu pöytä toimitetaan lisäksi tulevalle kansilevyllä, joten sitä voidaan käyttää normaalina pöytänä.



Sivutuki

Asenna sivutuet vartalotukeen sopivan tuen saamiseksi ylävartalolle, tai pohjalevyyn kehon ja lonkkien tukemiseksi. Sivutuet ovat säädettävissä korkeus- ja leveysuunnassa (A).



Kaasujousen säätäminen

Gazelle PS on varustettu kaasujousella kallistuksensäätöä varten. Jonkin ajan kuluttua se saattaa vaatia säätämistä. Säätäminen on tarpeen, kun:

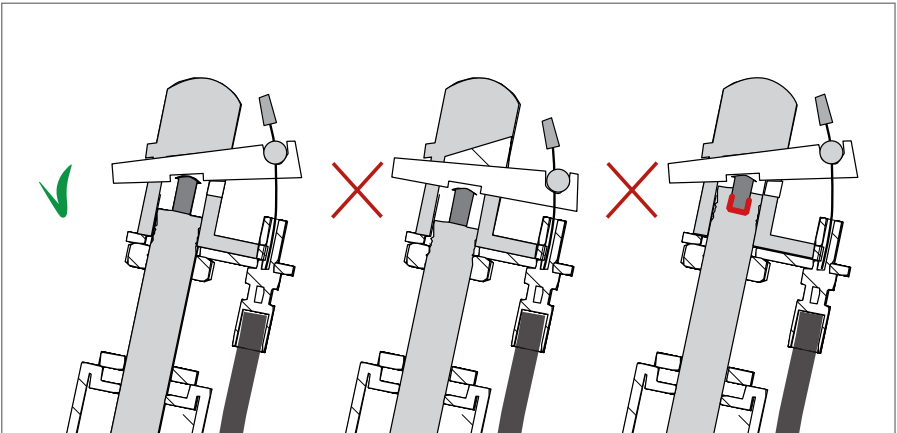
Kaasujousi avautuu itsestään

Kaasujousi ei avaudu lainkaan

Mikäli kaasujousi avautuu itsestään, avaa mutteria (B) 17 mm:n kiintoavaimella. Kierrä tankoa (A) myötäpäivään sen kiristämiseksi. Kiristä mutteri (B) uudelleen.

Ellei kaasujousi avaudu lainkaan, avaa mutteria (B) 17 mm:n kiintoavaimella. Kierrä tankoa (A) i vastapäivään sen avaamiseksi. Kiristä mutteri (B) uudelleen.

FIN



Kiitos, että olet valinnut uuden tuotteen R82:lta - maailmanlaajuiselta lasten ja aikuisten erityistarpeiden teknisten apuvälineiden ja laitteiden toimittajalta. Saadaksesi täyden hyödyn tämän tuotteen tarjoamista mahdollisuuksista lue tämä käyttöopas ennen tuotteen käyttöä ja säästä se myöhempää käyttöä varten.

Käyttötarkoituksella

Laite on seisontakehikko toimintarajoitteisille lapsille ja aikuisille.

Käyttöaiheet

Laitetta voivat käyttää toimintarajoitteiset lapset ja aikuiset, joiden on vaikea säilyttää seisoma-asento. Laitteen kohderyhmä perustuu toimintakykyyn ja antropometriaan. Se ei perustu tiettyyn terveystilaan tai ikään.

Käyttäjä on keuhkon sisällä seisova henkilö. Hoitaja on keuhkkoa ohjaava henkilö. Älä koskaan jätä käyttäjää valvomatta tähän tuotteeseen. Varmista, että hoitaja valvoo käyttäjää koko ajan. Tämän laitteen käyttö keskeytyy useampia kertoja päivässä käyttäjän maassa tai istuessa toisessa apulaitteessa tai tavanomaisessa tuotteessa.

Vasta-aiheet

Tuotteelle ei ole tiedossa vasta-aiheita.

Varotoimet

Erityistä huomiota tulee kiinnittää tuotteen kokoonpanoon ja lisävarusteiden käyttöön sellaisten käyttäjien kohdalla, joilla on rajoitteita:

- aistitoiminnoissa ja kivun aistimisessa. Harkitse tuotteen ja sen lisävarusteiden antaman tuen aiheuttaman paineen lisätarkistuksia.
- Liikkuminen (esim. pakkoliikkeit).
- kyyvyssä säilyttää seisoma-asento. Käytä laitetta lisävarusteiden (esim. rinta- tai selkätuki) kanssa.
- kyyvyssä säilyttää pään asento. Harkitse lisävarusteiden tai pään asentoa tukevan tuotteen käyttöä.

Käyttöalueet

Tuote on tarkoitettu sisäkäyttöön.

Mukana toimitettavat työkalut:

- 6 mm:n kuusiokoloavain



CE-todistus

Tämä tuote on lääkinnällisiä laitteita koskevan asetuksen (2017/745) vaatimusten mukainen. CE-merkintä on poistettava, jos tuote kootaan uudelleen, jos sitä käytetään yhdessä toisen valmistajan tuotteen kanssa tai jos käytetään muita kuin alkuperäisiä R82-varaosia tai -varusteita. Lisäksi tämä tuote on seuraavien vaatimusten mukainen:

- EN 12182



Kierrätys

Tuotteen saavutettua lopullisen käyttöiän, materiaalisosat tulee erotella erikseen kierrätystä tai hävitystä varten. Tarvittaessa ota yhteyttä paikalliseen myyjään varmistaaksesi oikean materiaalin. Ota yhteyttä lähimpään ympäristöpisteeseen, varmistaaksesi materiaalin oikean jättemääräysten mukaisen kierrätyksen.

Lisävarusteet ja varaosat

R82 tuotteet voidaan toimittaa erilaisilla lisävarusteilla, vastaten käyttäjän yksilölliseen tarpeeseen. Varaosat ovat saatavilla tilauksesta. Erikoisvarusteet löytyvät nettisivustoltamme tai lisätietoja saa paikalliselta edustajalta.

R82-takuu

R82 tarjoaa 2 vuoden takuun työn laadun ja materiaalivirheiden osalta ja 5 vuoden takuun hitsausliitosvikojen aiheuttamien metallirungon murtumien osalta. Takuu vaarantuu, mikäli asiakkaan vastuuta huoltamisesta ja/tai päivittäisestä kunnossapidosta ei kanneta toimittajan määräämien ja/tai User Guide esitettyjen ohjeiden ja määräaikaisten mukaisesti. Lisätietojen osalta viittaamme R82:n kotisivuihin/latauksiin.

Tämän tuotteen kestoikä on 8 vuotta normaalkikäytössä, jos kaikki kunnossapito- ja huoltotoimet on tehty toimittajan ohjeiden ja ohjeistuksen mukaisesti.

Takuu on voimassa vain tuotteen ostomaassa, jota varten se on valmistettu ja tuote voidaan tunnistaa sarjanumeron avulla. Takuu ei kata vahinkovaurioita, eikä väärinkäytön tai huolimattomuuden aiheuttamia vaurioita. Takuu ei kata kuluvia osia esim. renkaita tai verhoilua, jotka ovat alttiina normaalille kulumiselle ja jotka on ajoittain vaihdettava uusiin.

Takuu raukeaa, jos käytetään muita kuin alkuperäisiä varaosia tai tarvikkeita, jos tuotetta ei ole pidetty kunnossa tai korjattu oikein tai jos tuotteeseen on tehty muita kuin valmistajan hyväksymä tai käyttöohjeessa kuvattuja muutoksia (User Guide). R82 varaa oikeuden tarkastaa takuuvaatimuksen kohteena oleva tuote ja asiaankuuluva dokumentaatio ennen takuuvaatimukseen suostumista ja tehdä päätös siitä, vaihdetaanko viallinen tuote uuteen vai korjataanko se. Takuuvaatimuksen kohteena olevan tuotteen palauttaminen ostopaikan osoitteeseen on asiakkaan vastuulla.

Ennakkomyyntitietoja

- Support.r82.org

Turvallisuus

Tuotteen merkkejä, symboleja ja ohjeita ei saa peittää tai siirtää, ja ne tulee olla selkeästi esillä ja luettavissa koko tuotteen käyttöajan ajan. Vaihda tai korjaa välittömästi epäselvät tai vahingoittuneet merkit, symbolit ja ohjeet. Ota yhteyttä paikalliseen edustajaan.

Mikäli laitteeseen liittyviä haittatapahtumia ilmenee, niistä on ilmoitettava paikalliselle jälleenmyyjälle ja kansalliselle toimivaltaiselle viranomaiselle mahdollisimman pian. Paikallinen jälleenmyyjä välittää tiedot valmistajalle.

Vårdare

- Lukekaa kaikki ohjeet ennen käyttöä ja pitäkää ne tallessa tulevaa käyttöä varten. Tuotteen väärinlainen käyttö voi aiheuttaa käyttäjälle vakavan vamman
- Tämä tuote sisältää pieniä osia, jotka voivat aiheuttaa tukehtumisvaaran, jos ne irrotetaan paikoiltaan.
- Käytä aina tarkoitukseen sopivaa nostotekniikkaa ja apuvälinettä
- Älä koskaan jätä käyttäjää valvomatta tähän tuotteeseen. Varmista, että hoitaja valvoo käyttäjää koko ajan
- Korjauksissa/vaihoissa saa käyttää ainoastaan R82 alkuperäisiä varaosia, ja säätäminen ja välien asetukset saadaan tehdä ainoastaan toimittajan ohjeistuksen mukaisesti
- Mikäli R82 tuotteessa on ongelma tai mikä tahansa osa on rikkoontunut, lopettakaa tuotteen käyttö heti ja ottakaa välittömästi yhteyttä paikalliseen edustajaan
- Varmista, etteivät liikkuvat osat säädettäessä purista mitään kehon osia tai estä niiden liikuttamista
- Varmista, ettei kehonosia jää puristuksiin tukien/varusteiden asennusaukkoihin.
- Tuotteen kuljettaminen käyttäjän ollessa kyydissä ei ole sallittua.

Ympäristö

- Tarkasta tuotteen pinnan lämpötila ennen käyttäjän asettamista siihen. Tämä koskee erityisesti käyttäjiä, joiden ihossa ei ole tuntoa, koska he eivät tunne kuumuutta. Jos pinnan lämpötila on yli 41 °C, anna tuotteen jäähtyä ennen käyttöä.
- Turvallisuuden ja mukavuuden vuoksi siirrä tuote pois auringosta ja viilennä tuote ennen käyttöä
- Käytä tuotetta esteettömällä alustalla. Tiedosta että liukkaat tiet heikentävät ohjattavuutta

Käyttäjä

- Jos käyttäjä on lähellä maksimiarvoja ja/ tai hänellä on runsaasti hallitsemattomia liikkeitä esim.huojumista, tulee harkita suurempaa kokoa R82 tuotteesta

Tuote

- Tarkista ennen käyttöä, että kaikki kiinnitykset ja säädöt sekä osat ovat oikein ja paikoillaan. Pidä kaikki työkalut lasten ulottumattomissa
- Laita jarrut päälle ennen kuin sijoitat lapsen apuvälineeseen
- Varmista tuotteen vakaus ennen kuin sijoitat lapsen apuvälineeseen
- Varmista ennen käyttöä, että pyörät ovat täysin toimivat ja kiinnitetty hyvin
- Tarkasta tuote ja kaikki osat, vaihda kuluneet osat ennen käyttöä
- Älä naarmuta mäntää; on tärkeätä käyttää liinaa tai vastaavaa, mikäli kaasujousten säätämiseen käytetään työkaluja
- Älä expose Kaasujousta paineelle tai korkeille lämpötiloille. Älä riko.
- Jalkalevy on tarkoitettu ainoastaan tueksi! Jalkatuessa ei ole painoa kannattelevaa toimintoa.
- Tämän tuotteen syttymättömyys on testattu syttymättömällä tasolla EN-1021-1- ja EN 1021-2 määräysten mukaisesti
- Tämä tuote voi menettää tulenkkestävyysominaisuutensa, jos sitä käytetään yhdessä muiden kuin alkuperäisten R82-pehmusteiden kanssa
- Tämä tuote ei ole tarkoitettu moottorijoneuvoksi. Käyttäjä sijoitetaan autonistuimeen ja tuote pakataan auton tavaratilaan
- Tuotetta ei saa käyttää silloin kun sitä lastataan autoon tai autosta pois.

Huoltotietoja

Tämän lääkintälaitteen kunnossapitovastuu on laitteen omistajalla. Laitteen ohjeistuksen mukaisen kunnossapidon laiminlyönti voi aiheuttaa takuun mitätöinnin. Lisäksi kunnossapidon laiminlyönti voi vaarantaa laitteen tai käyttäjän ja/tai huoltajan turvallisuutta.

1.päivänä

- Lue käyttöohjeet huolellisesti ennen käyttöä ja säilytä ohjeet tulevaa käyttöä varten

Päivittäin

- Puhdistus kuivalla puhtaalla liinalla
- Visuaalinen tarkastus. Korjaa/vaihda vaurioituneet tai kuluneet osat
- Huolehdi, että kaikki kiinnikkeet ovat paikoillaan ja kunnolla kiinni
- Tarkista kaikki säädöt ja soljet, ettei ole kulumisen merkkejä
- Tiedosta maksimimerkinnot ennen hienosäätöä

Viikoittain

- Tarkista, että kaikki pyörät liikkuvat vapaasti ja kaikki pyörän lukitukset/jarrut toimivat helposti
- Pyyhi tuotteesta kaikki jäämät ja liat lämpimässä vedessä ja kloorittomassa miedossa pesuaineessa/saippuassa kostutetulla liinalla ja kuivaa ennen käyttöä
- Desinfioi tuote. Katso lisätietoja tämän käyttöohjeen desinfiointia käsittelevästä luvusta.

Kuukausittain

- Kaikki ruuvit ja pultit tulee tarkistaa ja kiristää, jotta vältetään tarpeettomat vahingot
- Öljyä liikkuvat osat. Suosittelemme käyttämään ammattikäyttöön tarkoitettua voiteluöljyä

Vuosittain

- Tarkasta rungon kunto halkeamien tai kuluneiden osien osalta ja huolehdi vuosihuollosta. Älä koskaan käytä viallista tuotetta

Tuotteen konepesu

Tämä tuote voidaan pestä 60° 10 minuuttia käyttäen mietoa pesuainetta tai desinfioida ilman klooria pesulaitteessa, joka on suunniteltu lääkinällisten laitteiden pesemiseen. Anna tuotteen kuivua ennen uudelleenkäyttöä.

Desinfektion

Tuote voidaan desinfioida 70-prosenttisella IPA-desinfiointinesteellä. Suositeltavaa on pyyhkiä tuotteesta kaikki jäämät ja liat lämpimässä vedessä ja kloorittomassa miedossa pesuaineessa/saippuassa kostutetulla liinalla ja antaa tuotteen kuivua ennen desinfiointia.

Huoltoväli

Tuotteen yksityiskohtainen tarkastus on tehtävä joka 12 kuukausi (kovassa käytössä oleva tuotejoka 6 kuukausi) ja joka kerta kun tuote on otettu uudelleenkäyttöön. Tarkastuksen tulee tehdä valtuutettu huoltohenkilö. Ota yhteys paikalliseen jälleenmyyjään saadaksesi korjausohjeita.

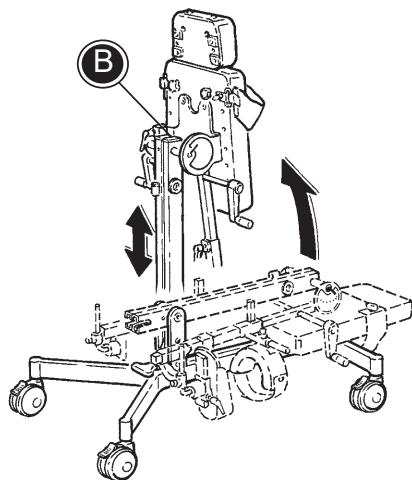
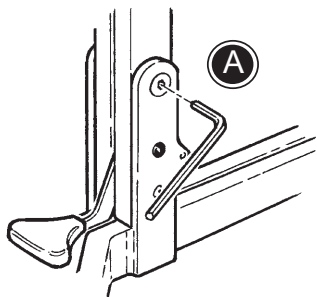


ESPAÑOL

Listo para usar

El Gazelle PS se entrega plegado para minimizar lo máximo posible sus dimensiones durante el transporte. Siga las siguientes instrucciones para desplegar el Gazelle PS:

1. Asegúrese de que las cuatro ruedas están bloqueadas.
2. Ejerza presión con el pie sobre el chasis del Gazelle PS conforme se despliega hasta la posición vertical. Asegúrese de que el Gazelle PS encaja exactamente en las fijaciones del chasis.
3. Con el Gazelle PS una posición vertical, utilice la llave Allen de 6 mm adjunta para apretar el tornillo (A). La llave Allen se coloca en el Gazelle PS (B) para tenerla siempre a mano cuando sea necesario realizar cualquier ajuste.



Reposacabezas con apertura facial

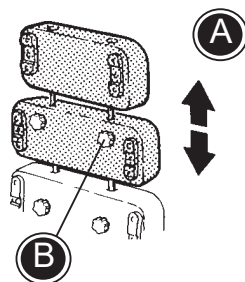
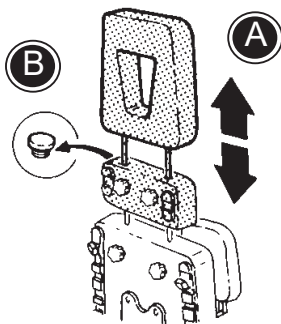
Montaje del reposacabezas con apertura facial:

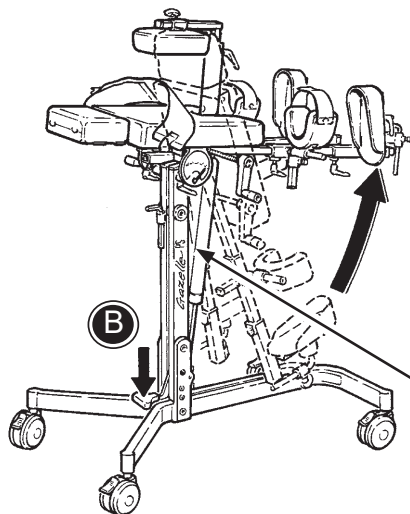
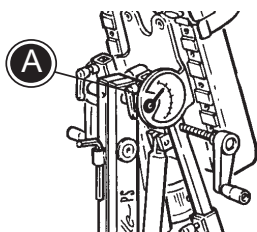
- A. Pasar las dos barras de sujeción a través del soporte ajustable para el tronco tras retirar los dos tapones de plástico.
- B. Los pomos de posicionamiento se pueden atornillar en sus posiciones tras hacer unos cortes en el soporte ajustable para el tronco.

Puede ser útil montar el reposacabezas con apertura facial antes de situar al niño sobre la mesa en posición horizontal. Retirar el reposacabezas al elevar la mesa a la posición vertical.

Soporte para el tronco y extensión

El soporte para el tronco ajustable en altura y la extensión pueden montarse en el Gazelle PS (A). Apretar los tornillos en la parte trasera (B).





Inclinación

Indicador de grados (A)

Ajustar el ángulo del Gazelle PS desde la posición vertical hasta 15° en posición horizontal pisando el pedal (B).

Por seguridad, el pedal puede bloquearse en el ángulo deseado. Gire el botón que hay en el extremo inferior del resorte de gas para bloquear el Gazelle PS (C).

⚠ - 05 = Riesgo de aplastamiento

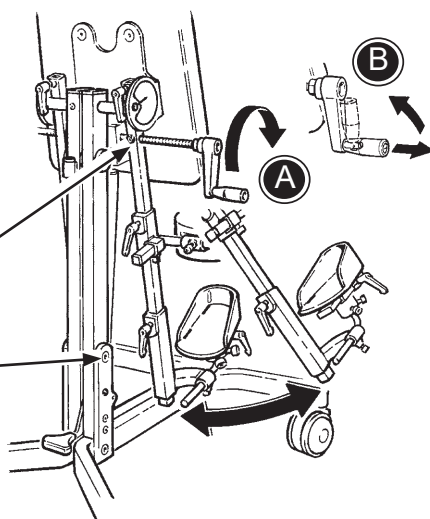
Abducción independiente

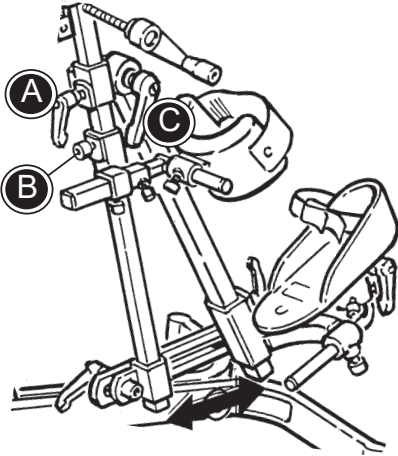
Ajuste de la abducción 0° - 30° girando la manivela que hay a ambos lados (A).

Manivela retráctil para ajuste de inclinación (B).

⚠ - 05 = Riesgo de aplastamiento

⚠ - 05 = Riesgo de aplastamiento





Soporte para la rodilla

De forma estándar, el Gazelle PS se entrega con los soportes para las rodillas para niños posicionados de frente. Gire los soportes para las rodillas para poder usarlos con niños posicionados de espalda:

1. Afloje la palanca (A) para retirar el reposapiés.
2. Afloje la palanca (B) para retirar la unidad de los reposapiés completa.
3. Monte la unidad del soporte para las rodillas completa en el lado opuesto y fíjelo con la palanca.
4. Gire la sujeción del soporte para la rodilla 180° aflojando los tornillos (C) y (D).
5. Afloje el tornillo (E) y gire el soporte para la rodilla para niños posicionados de espalda.

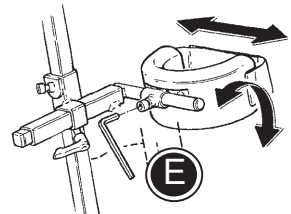
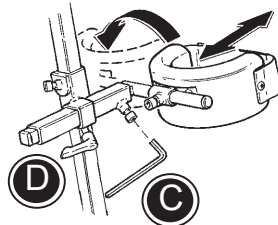
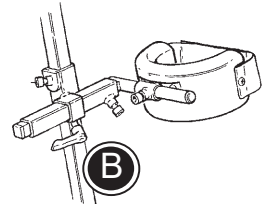
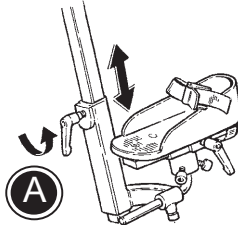
Ajuste el soporte para la rodilla con la llave Allen de 6 mm adjunta. Afloje los tornillos (C) y (D) para poder ajustar los soportes para las rodillas en profundidad. Al aflojar el tornillo (E), es posible ajustar la anchura y ángulo de los soportes para las rodillas. Utilice la palanca (B) para ajustar la altura de la unidad del soporte para las rodillas completa.

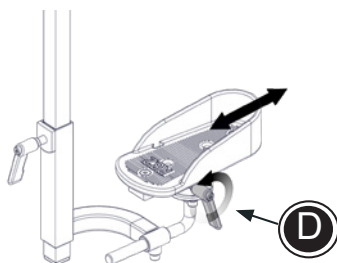
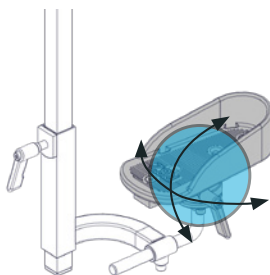
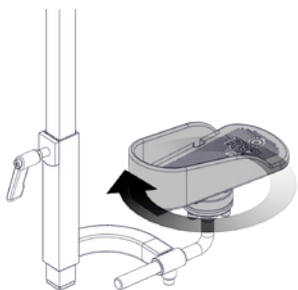
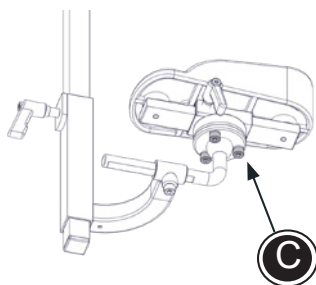
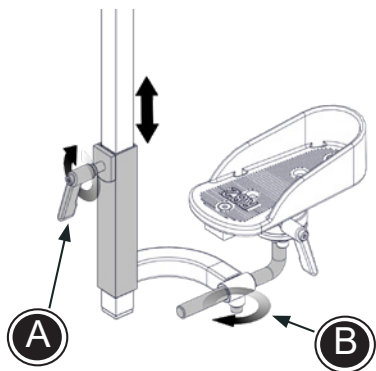
Inclinación de la extremidad inferior del cuerpo

Monte la barra para la inclinación de la extremidad inferior del cuerpo en la barra de abducción del modo siguiente:

1. Afloje la palanca (A) para retirar el soporte.
2. Afloje el tornillo Allen (B) de retirar los soportes para las rodillas.
3. Monte el soporte para las rodillas en la barra de inclinación de la extremidad inferior y apriete la palanca (A).
4. Monte el reposapiés en la barra de inclinación de la extremidad inferior.

Ajuste la altura de la inclinación de la extremidad inferior girando la palanca (B) y ajustando la inclinación girando la palanca (C). Para ajustar el reposapiés, consulte la página 16.





Reposapiés

Para usar con niños posicionados de espalda:

1. Cuando haya girado el soporte para la rodilla, debe montar el reposapiés en el mismo lado del que se desmontó.
2. Monte los reposapiés y apriete la palanca (A).
3. Afloje el tornillo (B) y ajuste la profundidad del reposapiés.
4. Afloje los tornillos (C) y gire el reposapiés 180°.
5. Apriete los tornillos en la posición deseada.

La montura del reposapiés se monta en la articulación. Esta permite ajustar el reposapiés en diferentes ángulos aflojando los tornillos (C).

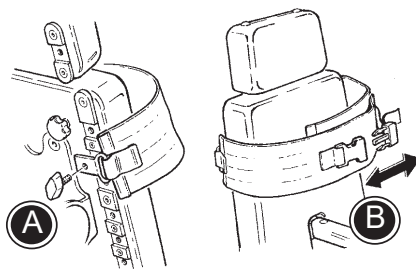
La profundidad del reposapiés se puede ajustar en profundidad aflojando la palanca (D) o el tornillo Unbrako (B).



Cincha

Monte la cincha en el soporte para el tronco o en la placa básica teniendo en cuenta los puntos donde se requiere apoyo.

La cincha se monta por detrás (A) y se sujeta por delante con velcro y un cierre rápido (B).



ES

Soporte para la espalda

El soporte para la espalda se ajusta en altura (A) y en profundidad (B).

Antes de colocar al niño:

1. Retire el soporte para la espalda (C)
2. Incline la sujeción del soporte para la espalda tirando de la cadena de liberación (D).

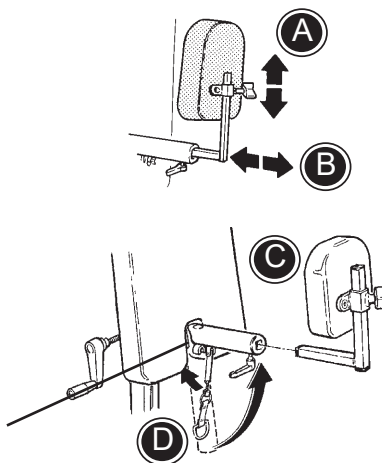
Fijela con las palancas.

El niño no debe sentarse sobre la montura del soporte para la espalda. Siempre deben quedar un espacio de unos centímetros entre el niño y la montura.

Tenga cuidado al volver a instalar el soporte para la espalda.



-05 = Riesgo de aplastamiento





Mesa con / sin cubeta

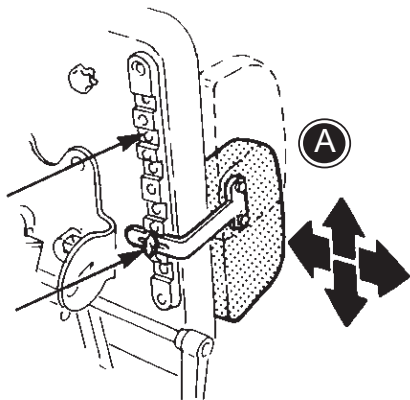
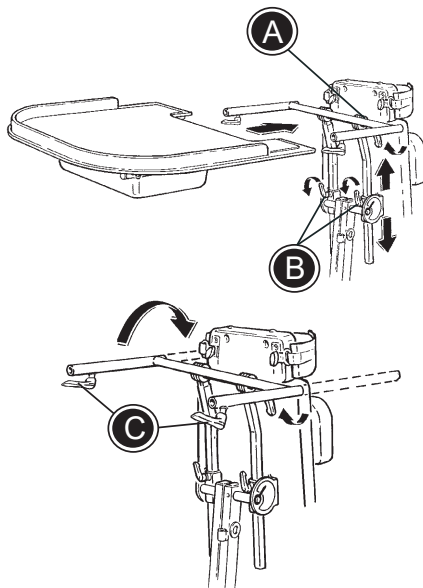
Aflove completamente las palancas grandes (A) y (B) y coloque la montura de la mesa en los dos tubos que hay en la parte trasera. Vuelva a apretar las palancas grandes (A) y (B).

Aflove la palanca grande (A) y podrá girar la montura de la mesa hasta 180° para uso en prono o supino.

Coloque la mesa en los tubos de la montura. Cuando se alcance la posición deseada, apriete las palancas grandes (C).

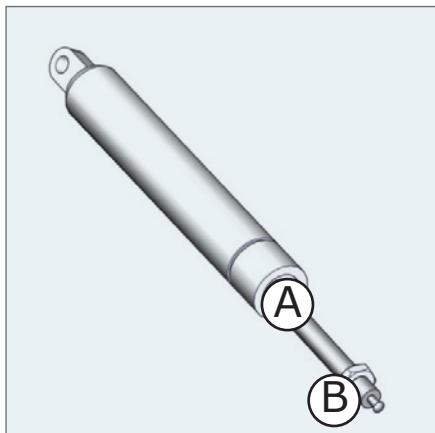
Aflove las palancas (A) para ajustar la altura de la mesa. Aflove la palanca (A) para ajustar el ángulo de la mesa.

La mesa con cubeta se entrega con una tapa adicional que puede utilizarse como una mesa estándar.



Soporte lateral

Monte los soportes laterales en el soporte para el tronco para proporcionar el apoyo correcto en la extremidad superior del cuerpo o bien, en la placa básica de soporte de cuerpo y caderas. Los soportes laterales son ajustables en altura y anchura (A).



Ajuste del resorte de gas

El Gazelle PS está equipado con un resorte de gas para ajuste del ángulo de inclinación. Es posible que, tras un tiempo de uso, sea necesario ajustarlo. El ajuste solo es necesario si:

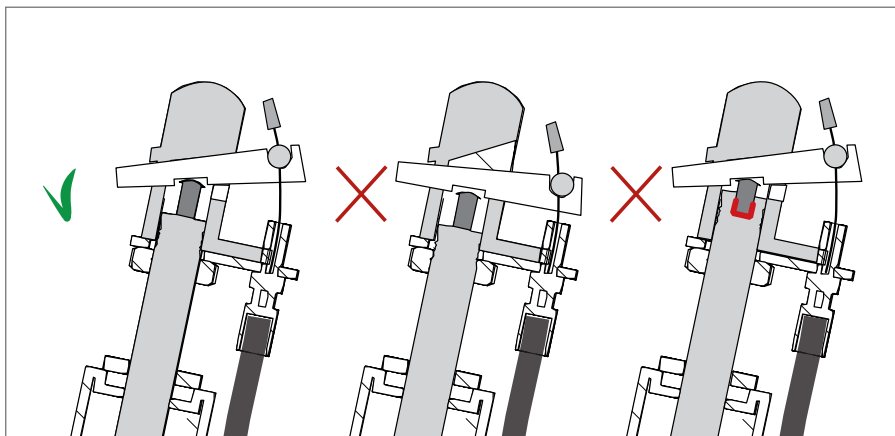
El resorte de gas se desbloquea solo

El resorte de gas no se puede desbloquear

Si el resorte de gas se desbloquea solo, afloje la tuerca (B) con una llave de 17 mm. Gire la barra (A) a la izquierda para aflojarlo. Vuelva a apretar la tuerca (B).

Si el resorte de gas no se desbloquea, afloje la tuerca (B) con una llave de 17 mm. Gire la barra (A) a la izquierda para apretarlo. Vuelva a apretar la tuerca (B).

ES



Le agradecemos que haya elegido un nuevo producto de R82, un proveedor internacional de dispositivos y recursos técnicos para niños y adultos con necesidades especiales. Para aprovechar plenamente las opciones que ofrece este producto, lea este Manual de usuario antes de utilizarlo y consérvelo para futuras consultas.

Finalidad prevista

El dispositivo es un bipedestador para niños y adultos con discapacidades.

Indicaciones

El dispositivo está previsto para niños y adultos con discapacidades que presenten limitaciones en su capacidad para mantener una posición erguida. El paciente objetivo del dispositivo se basa en la capacidad funcional y la antropometría. No se basa en ningún problema de salud o edad específicos.

El usuario es la persona que utiliza el bipedestador para mantenerse erguido. El cuidador es la persona que opera el bipedestador. No deje al usuario de este producto sin supervisión. Asegúrese de que el cuidador vigile en todo momento al usuario durante el uso. El uso del dispositivo se interrumpirá más veces durante el día cuando el usuario se acueste o se siente en otro dispositivo de asistencia o en un producto convencional.

Contraindicaciones

No existen contraindicaciones conocidas.

Precauciones

Prestar especial atención a las consideraciones sobre la configuración del producto y el uso de los accesorios para los usuarios con limitaciones que afecten a:

- sus funciones sensoriales y la sensación de dolor, considere la posibilidad de realizar controles adicionales de la presión provocada por el soporte proporcionado con el producto y sus accesorios,
- Función motriz (p. ej., presentar movimientos involuntarios).
- su capacidad para mantener una posición erguida, utilice el producto con accesorios (p. ej., soportes para el tórax o la espalda).
- su capacidad para mantener la cabeza erguida, considere el uso de accesorios o un producto que proporcione apoyo a la colocación de la cabeza.

Lugares de uso

El producto se ha previsto para su uso en interiores

Herramientas incluidas;

- llaves allen de 6 mm

CE Declaración de Conformidad

Este producto cumple los requisitos de la Regulación sobre los productos sanitarios (2017/745). El marcado CE deberá retirarse si el producto se reconstruye, si se utiliza junto con un producto de otro fabricante o si se utilizan piezas de recambio o accesorios distintos a los originales de R82. Además, este producto cumple los requisitos conforme a:

- EN 12182



Desecho y reciclaje

Cuando este producto llegue al término de su vida útil, deben de separarse las partes del mismo según el tipo de material para poder ser reciclados o desechados correctamente. Si es necesario, póngase en contacto con su distribuidor local para obtener una descripción exacta de cada material. Para obtener información acerca de cómo reciclar su producto de manera respetuosa con el medio ambiente, por favor, contacte con las autoridades locales.

Accesorios y recambios

Los productos de R82 pueden ser suministrados con una variedad de accesorios que se ajusten a las necesidades individuales de cada usuario. Las piezas de repuesto se pueden pedir por encargo. Puede encontrar accesorios específicos en nuestra página web o contactar con su distribuidor local para más información.

Garantía R82

R82 ofrece una garantía de 2 años contra los defectos de fabricación y de los materiales y una garantía de cinco años en caso de rotura del bastidor metálico por causa de defectos en la soldadura. La garantía no será válida si el cliente no cumple con la responsabilidad de llevar a cabo los servicios de reparación y/o mantenimiento diario de acuerdo con las directrices y los intervalos prescritos por el proveedor y/o tal y como se indica en el User Guide. Encontrará más información para descargar en la página de inicio de R82.

Póngase en contacto con su distribuidor para obtener instrucciones sobre reparaciones. La vida útil de este producto en su uso normal es de 8 años si todo el mantenimiento y las reparaciones se llevan a cabo de acuerdo con las instrucciones del fabricante y demostraciones registradas.

La garantía solo se concede en el país donde se adquirió el producto, y si el producto puede ser identificado por el número de serie. La garantía no cubre los daños accidentales, incluyendo los daños ocasionados por el mal uso o negligencia. La garantía no se extiende en los artículos de consumo como los neumáticos o la tapicería, que están sujetos a un desgaste normal y necesitan ser reemplazados periódicamente.

La garantía perderá su validez y quedará anulada si emplean piezas/accesorios no originales de R82 o si el producto no se mantiene, repara o modifica del modo indicado en las instrucciones y con la frecuencia indicada por el proveedor y/o en la User Guide. R82 se reserva el derecho de inspeccionar el producto reclamado y de la documentación pertinente antes de aceptar la reclamación de la garantía, para decidir sobre si es necesario reparar el producto defectuoso. Es responsabilidad del cliente retornar el artículo por el que se reclama la garantía a la dirección de la compra.

Información preventiva

- Support.r82.org

Seguridad

Los signos, símbolos e instrucciones colocados en este producto no deben ser cubiertos o retirados y deben permanecer presentes y fácilmente legibles a lo largo de toda la vida útil del producto. Reemplace o repare de inmediato los signos ilegibles o dañados, los símbolos y las instrucciones. Póngase en contacto con su distribuidor local para obtener instrucciones.

Si se ha producido un evento adverso con el dispositivo, deberá ser comunicado a su distribuidor local y a la autoridad nacional competente de la manera oportuna. El distribuidor local remitirá la información al fabricante.

Cuidador

- Lea atentamente todas las instrucciones e User guide antes de usar el producto y consérvelas para futuras referencias. El uso incorrecto de este producto puede causar lesiones graves al usuario
- Este producto contiene piezas pequeñas que podrían presentar riesgo de asfixia si se retiran del lugar donde están instaladas.
- Use siempre las técnicas correctas de levantamiento y las ayudas para este fin
- No deje al usuario de este producto sin supervisión. Asegúrese de que el cuidador vigile en todo momento al usuario durante el uso.
- Las reparaciones y los recambios sólo deben hacerse con piezas nuevas y originales de repuesto y accesorios de R82 y de acuerdo con las directrices y los intervalos de mantenimiento prescritos por el proveedor
- Si tiene alguna duda sobre la continuación del uso seguro del producto de R82 o si alguna pieza falla, deje de usar el producto de inmediato y contacte con su distribuidor local tan pronto como sea posible
- Asegúrese de que las piezas móviles no puedan apretar o aprisionar ninguna parte del cuerpo durante su ajuste.
- Asegúrese de que ninguna parte del cuerpo quede atrapada en las aberturas de montaje de los soportes o accesorios.
- No está permitido el transporte del producto mientras el usuario se encuentre colocado en él.

Medio ambiente

- Observe la temperatura de la superficie del producto antes de colocar a un usuario en él. Este factor se debe tener especialmente en cuenta para usuarios con insensibilidad cutánea, dado que no pueden sentir el calor. Si la temperatura de la superficie es superior a 41 °C, deje que el producto se enfríe antes de utilizarlo.
- Use este producto en una superficie llana y libre de obstáculos. Esté atento a reducir la maniobrabilidad cuando se encuentre en superficies resbaladizas
- Cuando use este producto en las pendientes, por favor, consulte la tabla de medidas

Usuario

- Si el usuario está cerca del límite de carga máximo y/o tiene muchos movimientos involuntarios, p.e. balanceos, será conveniente considerar otro producto de R82 con un tamaño más grande y un máximo superior

Producto

- Realice todos los ajustes de posicionamiento del producto y los accesorios y asegúrese que todos los tiradores, tornillos y hebillas quedan bien sujetos antes de su uso. Mantenga todas las herramientas fuera del alcance de los niños
- Active los frenos antes de colocar al usuario en el producto
- Asegúrese de la estabilidad del producto antes de colocar al usuario en el mismo
- Asegúrese del correcto funcionamiento y la seguridad de las ruedas y los neumáticos antes de su uso
- Inspeccione el producto y todos sus accesorios y reemplace las piezas desgastadas antes de su uso
- No exponga el resorte de gas a presión o a altas temperaturas. NO perforar.
- No exponga el émbolo del pistón a arañazos o similares. Es impotante que utilice un trapo como protección cuando efectúe regulaciones que necesiten herramientas en el pistón de gas
- El reposapiés solo se debe utilizar a modo de soporte, ya que no permite soportar peso.
- Este producto ha sido sometido a pruebas de resistencia a la ignición conforme a EN 1021-1 e EN 1021-2
- El producto podría perder sus características de resistencia al fuego si se utiliza con otros cojines distintos a los originales de R82
- Este producto no está preparado para ser usado dentro de un vehículo de motor. El usuario deberá ser colocado en un asiento del vehículo y el producto deberá ser almacenado en un compartimento de equipaje
- El usuario no debe utilizar el producto mientras está siendo transportado dentro o fuera de un vehículo mediante una plataforma elevadora

Información de mantenimiento

El mantenimiento de un dispositivo médico es responsabilidad total del propietario de ese dispositivo. En caso de no mantener un dispositivo de acuerdo con las instrucciones la garantía del mismo puede quedar invalidada. Además, la falta de mantenimiento de un dispositivo puede poner en peligro el estado clínico o la seguridad de los usuarios y/o de sus cuidadores.

1r Día

- Lea la Guía del usuario detenidamente antes de usar el producto y guárdela en un lugar seguro para futuras consultas

Diariamente

- Utilice un paño seco para limpiar el producto
- Inspeccione visualmente el producto y repare o reemplace las piezas dañadas o desgastadas del mismo
- Asegúrese de que todas las piezas estén en su lugar y colocadas correctamente
- Asegúrese de que todas las piezas estén en su lugar y colocadas correctamente
- Preste atención a cualquier indicio de marca máxima antes de la revisión

Semanalmente

- Asegúrese de que todas las ruedas se mueven libremente y que todos los seguros de las ruedas y los frenos se activan fácilmente
- Elimine cualquier residuo de suciedad del producto utilizando un paño escurrido con agua templada y un detergente/jabón suave sin cloro. Seque el producto antes de utilizarlo.
- Desinfecte el producto. Para obtener más información al respecto, consulte el apartado dedicado a la desinfección de esta guía de uso.

Mensualmente

- Todas las tuercas y los pernos de este producto deben ser revisados y ajustados para evitar fallos
- Lubrique las piezas de distancia basculante. Le recomendamos que utilice un sistema de lubricación profesional

Anualmente

- Inspeccione el marco de las grietas o signos de desgaste de las piezas y realice el servicio de mantenimiento anual. Nunca utilice un producto que parezca deficiente o defectuoso

Lavado a máquina

Este producto puede lavarse de 10 minutos a una temperatura máxima de 60° en una máquina especialmente diseñada para dispositivos médicos, utilizando un detergente suave o un desinfectante sin cloro. Por favor, compruebe que el producto esté completamente seco antes de volver a utilizarlo.

Desinfección

El producto, puede desinfectarse con una solución de alcohol isopropílico desinfectante al 70 %. Se recomienda eliminar cualquier residuo o suciedad del producto utilizando un paño humedecido en agua caliente y un jabón/detergente suave sin cloro. Seque el producto antes de desinfectarlo.

Revisiones de Mantenimiento

Debe realizarse una inspección detallada del producto cada 12 meses (cada 6 meses para los usos intensivos) y cada vez que se vuelve a restaurar el producto para su uso. La inspección debe ser realizada por una persona técnicamente competente que haya sido entrenada en el uso del producto.

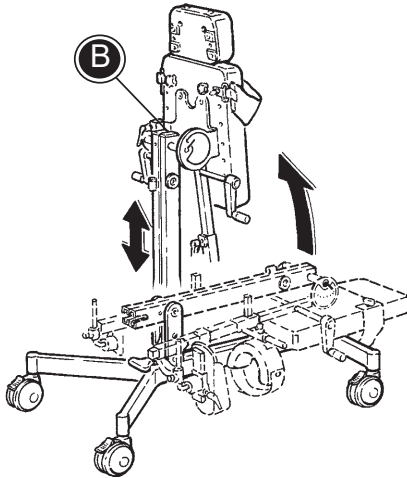
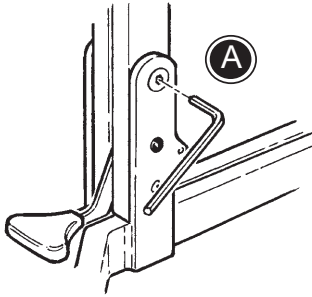


FRANÇAIS

Prêt à l'emploi

Le modèle Gazelle PS est livré replié afin d'occuper un minimum d'espace pendant le transport. Suivez la description ci-après pour déplier le Gazelle PS :

1. Vérifiez que les quatre roues sont bloquées.
2. Appuyez avec votre pied sur le cadre inférieur tandis que vous faites passer le Gazelle PS en position verticale. Veillez à ce que le Gazelle PS soit parfaitement ajusté dans le cadre inférieur.
3. Une fois que le Gazelle PS est en position verticale, utilisez la clé Allen de 6 mm incluse pour serrer la vis (A). La clé Allen est placée sur le Gazelle PS (B) et se trouve toujours à portée de main pour effectuer des réglages.



Support pour la tête avec ouverture faciale

Montage du support pour la tête avec ouverture faciale :

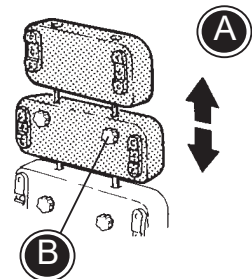
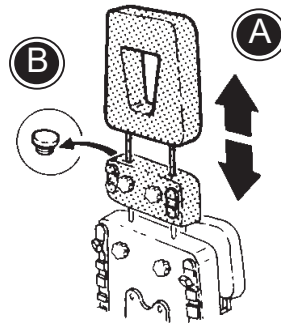
- A. Les deux barres de retenue passent par le support de tronc ajustable après retrait des deux bouchons en plastique.
- B. Les boutons de positionnement peuvent être vissés en place après que vous ayez découpé dans le support de tronc réglable.

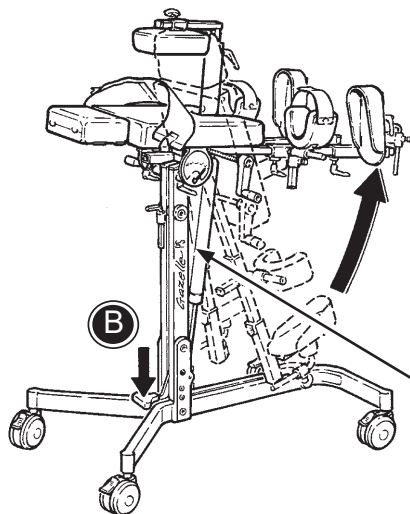
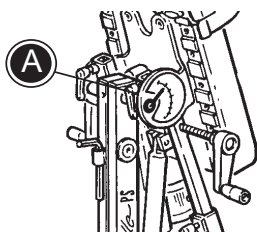
Il peut être utile de monter le support pour la tête avec l'ouverture faciale avant de placer l'enfant sur la table en position horizontale. Retirez le support pour la tête lorsque la table est mise en position verticale.

Support pour le tronc et extension

Il est possible de monter un support pour le tronc réglable en hauteur et une extension sur le Gazelle PS (A).

Serrez les vis sur le dossier (B).





Inclinaison

Indicateur de degré (A)

Ajustez l'angle du Gazelle PS de la position verticale à 15° sous l'horizontale en appuyant sur la pédale (B).


Dans un but de sécurité, vous pouvez bloquer la pédale à l'inclinaison voulue. Tournez le bouton vers l'extrémité inférieure du vérin à gaz pour verrouiller le Gazelle PS (C).

 - 05 Risques de pincement

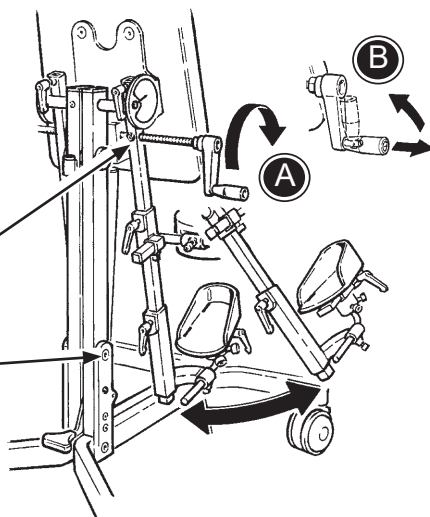
Abduction indépendante

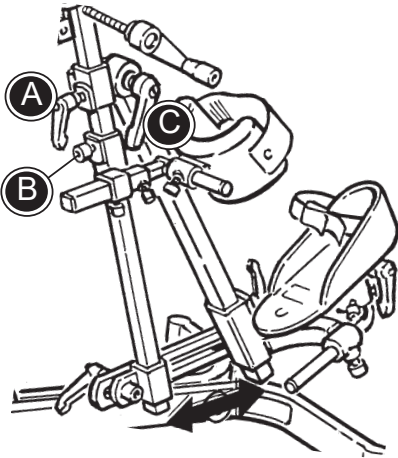
Réglage de l'abduction de 0° à 30° en tournant la poignée des deux côtés (A).

Poignée rétractable pour le réglage de l'inclinaison (B).

 - 05 Risques de pincement

 - 05 Risques de pincement





Support des genoux

Le Gazelle PS est livré de série avec les supports pour les genoux montés de sorte à être utilisés par des enfants atteints de lésion postérieure. Pour les inverser afin de pouvoir les utiliser pour un enfant atteint de lésion antérieure :

1. Desserrez la poignée (A) pour retirer les supports des pieds.
2. Desserrez la poignée (B) pour retirer l'unité complète de support des genoux.
3. Montez l'unité complète de support de genoux du côté opposé et serrez à l'aide de la poignée.
4. Tournez la fixation du support de genou de 180°, en desserrant les vis (C) et (D).
5. Desserrez la vis (E) et tournez autour du support de genou, pour les enfants atteints de lésion antérieure.

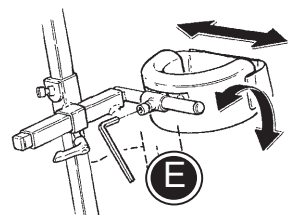
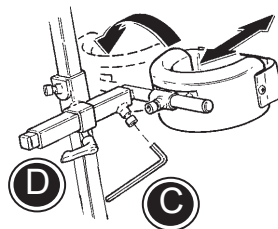
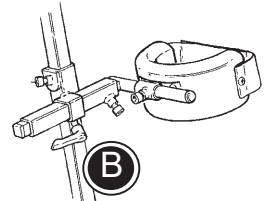
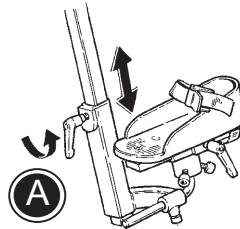
Réglez le support de genou à l'aide de la clé Allen 6 mm. Desserrez les vis (C) et (D) et les supports de genoux sont réglables en profondeur. Desserrez la vis (E) pour ajuster les supports de genoux en largeur et inclinaison. Utilisez la poignée (B) pour régler la hauteur de l'unité de support des genoux en entier.

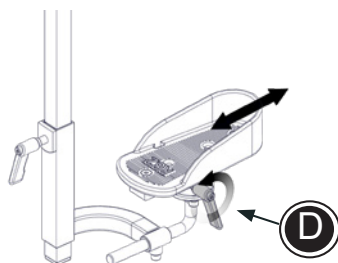
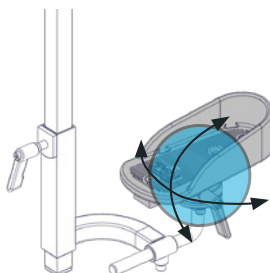
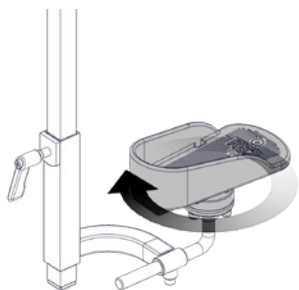
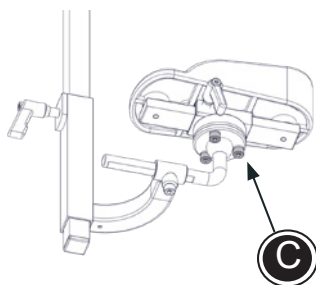
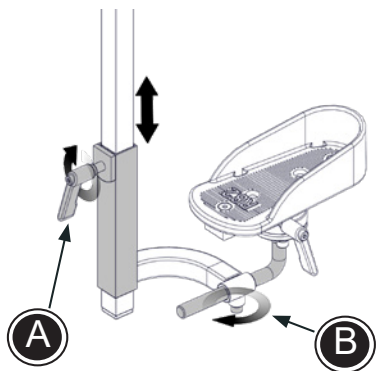
Inclinaison des jambes

Montez la barre pour l'inclinaison des jambes sur la barre d'abduction, comme suit :

1. Desserrez la poignée (A) pour retirer le support.
2. Desserrez la vis Allen (B) pour retirer les supports de genou.
3. Montez le support de genou sur la barre pour l'inclinaison de la jambe et serrez la poignée (A).
4. Montez le support de pied sur la barre pour l'inclinaison de la jambe.

Réglez la hauteur de l'inclinaison de la jambe en tournant la poignée (B) et réglez l'inclinaison en tournant la poignée (C). Pour ajuster le support de pied, reportez-vous à la page 16.





Support des pieds

Pour les utilisateurs atteints d'une lésion antérieure :

1. Lorsque les supports pour les genoux sont tournés, les supports des pieds doivent être montés dans le même sens que celui dans lequel ils ont été démontés.
2. Montez les supports de pieds et serrez la poignée. (A).
3. Desserrez la vis (B) et ajustez la profondeur du support de pied.
4. Desserrez les vis (C) et tournez le repose-pied de 180°.
5. Serrez les vis dans la position demandée.

Le support de la plaque du repose-pied est monté sur le joint. Ainsi, la plaque du repose-pied peut être réglée selon différents angles en desserrant le vis (C).

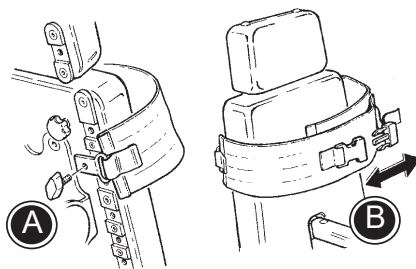
Pour régler la plaque en profondeur, desserrez la poignée (D), ou la vis unbrako (B).



Bande

Montez la bande sur le support pour le tronc ou sur la plaque de base selon l'endroit où le support s'avère nécessaire.

La bande est montée sur le dossier (A) et serrée à l'avant à l'aide de velcro et d'une fixation bar boucle (B).



FR

Support de dos


Le support de dos est réglable en hauteur (A) et en profondeur (B).

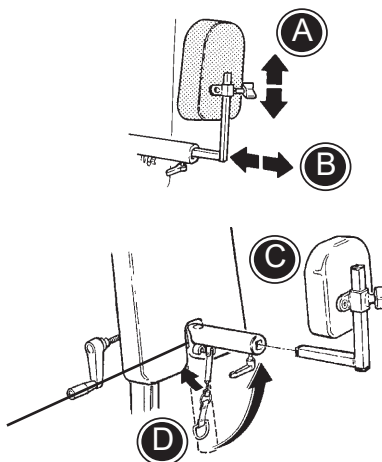
Avant de placer l'enfant :

1. Retirez le support de dos (C)
2. Rabattez la fixation du support de dos pour tirer la chaîne de dégagement (D).

Serrez à l'aide des poignées. Faites attention à ce que l'enfant ne s'assoit pas sur le montant du support de dos. Il doit toujours y avoir quelques centimètres entre l'enfant et le montant.

NB ! Faites attention lorsque vous remontez le support de dos.

 - 05 Risques de pincement





Plateau avec/sans cuvette

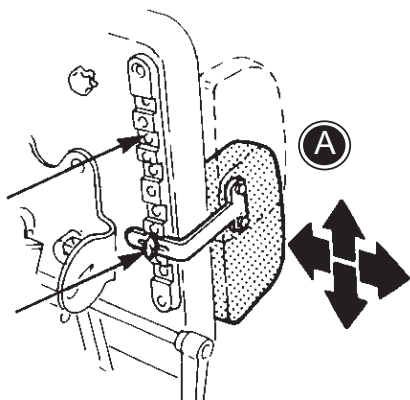
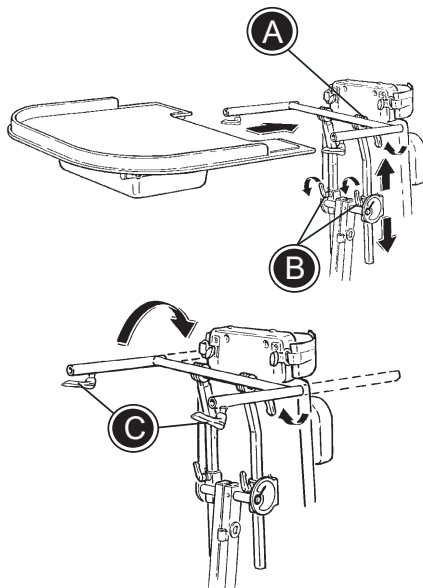
Desserrer complètement les grosses poignées (A) et (B) et placer la pièce de montage de la tablette dans les 2 tubes du dossier. Resserrer les grosses poignées (A) et (B).

Desserrer la grosse poignée (A) et la pièce de montage de la tablette peut être tournée de manière à être utilisée en pronation ou en supination.

Mettre la tablette dans sa pièce de montage. Serrer les grosses poignées (C) lorsque la tablette est dans la position souhaitée.

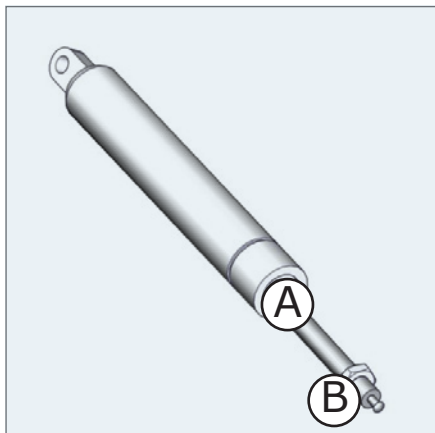
Desserrer les 2 poignées (B) pour régler la hauteur de la tablette. Desserrer la poignée A pour régler l'inclinaison de la tablette.

Le plateau avec cuvette est livré avec un plateau supplémentaire, de façon à pouvoir l'utiliser comme un plateau normal.



Support latéral

Montez les supports latéraux sur le support de tronc pour apporter le bon soutien à la partie supérieure du corps ou sur la plaque de base pour soutenir le corps et les hanches. Les supports latéraux sont réglables en hauteur et en profondeur (A).



Réglage du vérin à gaz

Le Gazelle PS est équipé d'un vérin à gaz permettant de régler l'inclinaison. Au bout d'un moment, il peut être nécessaire de l'ajuster. Cette opération est nécessaire dans les cas suivants :

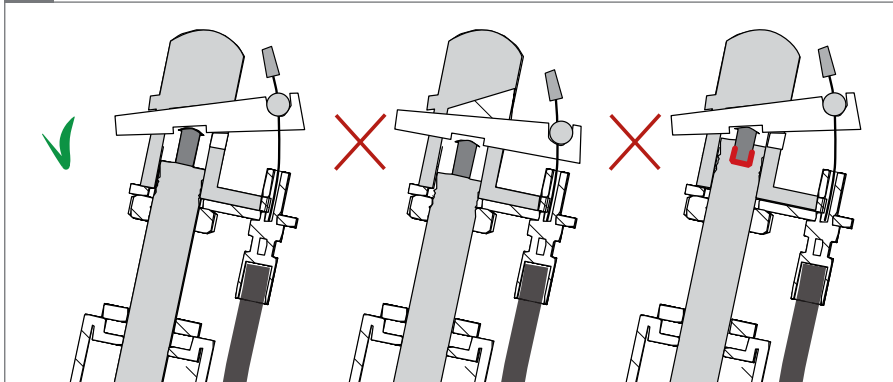
Le vérin à gaz se relâche

Le vérin à gaz ne peut pas être relâché

Si le vérin à gaz se relâche, desserrez l'écrou (B) à l'aide d'une clé 17 mm. Tournez la barre (A) dans le sens des aiguilles d'une montre pour serrer. Resserrez l'écrou (B).

Si le vérin à gaz ne se relâche pas, desserrez l'écrou (B) à l'aide d'une clé 17 mm. Tournez la barre (A) dans le sens inverse des aiguilles d'une montre pour desserrer. Resserrez l'écrou (B).

2.



Félicitations pour l'acquisition de votre nouveau produit R82, fabricant mondialement reconnu pour ses appareils et solutions techniques d'aide destinés aux enfants et adultes handicapés. Afin de profiter pleinement des options offertes par ce produit, avant utilisation veuillez lire le présent manuel que vous conserverez ensuite pour référence ultérieure.

Destination

Le produit est un cadre de verticalisation pour les enfants et les adultes handicapés.

Indications

L'appareil peut être utilisé par des enfants et des adultes handicapés qui éprouvent des difficultés à maintenir une position debout. Le groupe cible du dispositif est fonction de la capacité fonctionnelle et de l'anthropométrie. Il ne repose en aucun cas sur l'état de santé et l'âge.

L'« utilisateur » désigne la personne utilisant le cadre pour se tenir debout. Le « soignant » désigne la personne actionnant le cadre. Ne jamais laisser un utilisateur de ce produit sans surveillance. S'assurer d'une supervision permanente par un soignant. L'appareil ne sera pas utilisé en continu. À plusieurs reprises au cours de la journée, l'utilisateur sera allongé ou assis dans un autre appareil fonctionnel ou un produit conventionnel.

Contre-indications

Il n'y a pas de contre-indications connues.

Précautions

Une attention particulière doit être accordée aux considérations relatives à la configuration du produit et à l'utilisation d'accessoires pour les utilisateurs limités dans :

- leurs fonctions sensorielles et la sensation de douleur : des contrôles supplémentaires de la pression provoquée par le soutien apporté par le produit et ses accessoires doivent être réalisés ;
- Mouvements (par exemple, mouvements non contrôlés)
- leur capacité à maintenir une position debout : complétez le produit avec des accessoires (par exemple, un dispositif de soutien de la poitrine ou du dos) ;
- leur capacité à maintenir la position de leur tête : envisagez l'utilisation d'accessoires ou d'un produit aidant au positionnement de la tête.

Domaines d'application

Le produit est destiné à une utilisation en intérieur.

Outils Inclus:

- clefs Allen 6mm



Déclaration de Conformité

Ce produit est conforme aux exigences du règlement sur les dispositifs médicaux (2017/745). Le marquage CE doit être retiré si le produit est modifié, ou s'il est utilisé en combinaison avec un produit d'un autre fabricant ou avec des pièces de rechange et accessoires autres que ceux d'origine R82. En outre, ce produit est conforme aux

exigences en vertu de :

- EN 12182



Information concernant le recyclage

Lorsqu'un produit a atteint sa fin de vie, il doit être démantelé par type de matériau constituant, afin que chaque partie soit recyclée ou correctement jetée. Si nécessaire, contacter votre revendeur afin d'avoir des précisions sur chaque matériau constituant. Pour toute information sur le recyclage ou la mise au rebut de ce produit, contacter le service de la mairie compétent, et/ou le service local d'élimination des déchets.

Accessoires et pièces détachées

Les appareils R82 peuvent être fournis avec une grande variété d'accessoires à choisir en fonction des besoins individuels des utilisateurs. Les pièces détachées sont disponibles sur commande. Pour toute commande d'accessoire spécifiques, ou demande d'information, contacter votre revendeur.

Garantie R82

R82 offre une garantie de deux ans contre les défauts de fabrication et de matériaux ainsi qu'une garantie de 5 ans sur la rupture du cadre en métal provoquée par des défauts au niveau des soudures. La garantie peut être rendue caduque si la responsabilité du client consistant en un entretien et/ou une maintenance quotidienne n'est pas exécutée conformément aux instructions et aux intervalles prescrits par le fournisseur et/ou indiqués dans le User Guide. Pour plus d'informations, nous nous reportons à R82 homepage/download (page d'accueil R82/téléchargement).

Lors d'une utilisation normale, la durée de vie de ce produit est de 8 ans si l'entretien et la maintenance ont été effectués selon les instructions du fabricant. Chaque entretien doit être répertorié et enregistré.

La garantie est uniquement applicable dans le pays où le produit a été acheté et s'il peut être identifié par le numéro de série. La garantie ne couvre pas les avaries accidentelles, notamment celles provoquées par une mauvaise utilisation ou par négligence. La garantie ne s'étend pas aux pièces d'usure comme les pneus ou bien le revêtement du produit qui soumis à une utilisation normale doivent être changés régulièrement

La garantie est nulle est non avenue si des pièces/ accessoires non d'origine sont utilisés, ou si le produit n'a pas été entretenu, réparé ou modifié conformément aux instructions et aux intervalles précisés par le fournisseur et/ou indiqués dans le User Guide. R82 se réserve le droit d'inspecter le produit, objet d'une réclamation, ainsi que de s'informer sur les conditions d'utilisation de ce dernier, avant d'agréer une prise en charge sous garantie et de décider s'il convient de remplacer ou réparer le produit défectueux. Il incombe au client de retourner l'article sur lequel porte la garantie à l'adresse d'achat. La garantie est fournie par R82 ou ultérieurement par un distributeur R82.

Informations relatives à la prévente:

- Support.r82.org

Sécurité

Les pictogrammes et les symboles, indiqués sur ce produit ne doivent en aucun cas être masqués ou retirés et doivent restés présents et clairement lisibles durant toute la durée de vie du produit. Ces symboles ou instructions doivent être immédiatement remplacés en cas de destruction ou d'illegibilité. Contacter votre distributeur local pour toute information.

En cas d'événement indésirable associé au dispositif, tout incident doit être rapporté rapidement à votre revendeur et à l'autorité nationale compétente. Votre revendeur transmettra l'information au fabricant.

Accompagnant

- Lire soigneusement la notice d'utilisation (NU) avant utilisation et la ranger dans un endroit sécurisé pour s'y référer ultérieurement
- Ce produit contient des petites pièces qui, si elles sont détachées de leur emplacement, peuvent constituer un risque de suffocation.
- Toujours utiliser des aides et techniques de transfert adéquates
- Ne jamais laisser un utilisateur de ce produit sans surveillance. S'assurer d'une supervision permanente par un soignant.
- Les réparations et remplacements de pièces doivent être faits uniquement avec pièces originales R82 et installées selon les instructions du fabricant et/ou de la notice d'utilisation
- En cas de doute sur la sécurité lors de l'utilisation de votre produit R82, ou en cas de défaut, il est conseillé d'arrêter immédiatement l'utilisation de l'appareil et de contacter dès que possible votre revendeur local
- Veiller à ce que les pièces mobiles ne coïncident pas les parties structurelles lors de leur ajustement
- Veillez à ce que des parties du corps ne se coïncident pas dans les ouvertures prévues pour la fixation des supports et des accessoires.
- Le produit ne doit pas être occupé durant son transport.

Environnement

- Vérifiez la température de la surface du produit, avant d'y placer un utilisateur, en particulier pour les utilisateurs atteints d'insensibilité cutanée, car ils ne peuvent pas sentir la chaleur. Si la température de la surface dépasse les 41 °C, laissez refroidir le produit avant de l'utiliser.
- Utiliser cet appareil sur une surface plane et sans obstacle. La maniabilité est réduite sur des surfaces humides
- Lors de l'utilisation sur une surface en pente, se référer aux à la table de mesures

Utilisateur

- Si l'utilisateur a un poids proche de l'indication de charge maximum du produit, et s'il est sujet à beaucoup de mouvement involontaires il est préférable de prendre le modèle avec indication de charge supérieure ou un autre produit R82 plus adapté

Produit

- Faire tous les réglages posturaux, installer les accessoires sur l'appareil en s'assurant que toutes les mollettes, vis et boucles sont correctement serrées avant d'installer l'utilisateur dans l'appareil. Conserver les outils hors de la portée des enfants
- Toujours mettre les freins avant d'installer l'enfant dans l'appareil
- S'assurer de la bonne stabilité de l'appareil avant d'installer l'enfant dedans
- Veillez à ce que les roulettes soient entièrement fonctionnelles et sécurisées avant utilisation.
- Toujours inspecter l'appareil et ses accessoires, et remplacer les pièces éventuellement usées ou détériorées avant utilisation
- Ne pas exposer le ressort à gaz à une pression ou à des températures élevées. NE PAS percer.
- N'exposez pas la tige du piston aux éraflures, etc. Il est important d'utiliser un chiffon ou similaire, si des outils sont utilisés pour ajuster le vérin à gaz
- Le repose-pieds sert uniquement de soutien ! Il ne dispose d'aucune force portante.
- Ce produit a été testé pour la résistance à l'inflammation au niveau zéro inflammation conformément à EN 1021-1 et EN 1021-2
- Le produit peut perdre ses caractéristiques de résistance aux flammes s'il est utilisé dans d'autres produits que les coussins R82 d'origine
- Cet appareil ne doit pas être occupé durant son transport dans un véhicule à moteur. L'utilisateur doit être installé dans le siège du véhicule et l'appareil doit être mis dans le compartiment réservé aux bagages
- L'utilisateur ne doit pas être dans l'appareil lorsque celui-ci est placé ou retiré d'un véhicule à l'aide d'une plateforme élévatrice.

Informations relatives à l'entretien

La maintenance d'une aide technique médicale est pleinement sous la responsabilité du propriétaire de ce produit. La garantie appliquée au produit peut être invalidée au cas où l'entretien et la maintenance n'ont pas été accomplis de façon conforme à la notice d'instruction. De plus un défaut de maintenance peut compromettre les conditions cliniques ou la sécurité des usagers et/ou de leurs assistants.

1er jour

- Lire attentivement la notice d'utilisation (User Guide) avant la mise en route et la conserver pour un usage ultérieur.

Quotidiennement

- Utiliser un chiffon sec pour nettoyer le produit
- Inspection visuelle. Réparer ou remplacer toute pièce endommagée ou usée
- Faire attention à ce que toutes les fixations soient en place et correctement fixées
- Vérifier qu'il n'y ait pas de traces d'usure sur toutes les pièces des fixations et des boucles
- Prendre conscience de toute marque d'indication Maximum avant réglage

Hebdomadaires

- Vérifier que toutes les roulettes fonctionnent librement et que tous les verrouillages de roues/ freins s'activent facilement
- Nettoyez les éventuels résidus et saletés présents sur le produit à l'aide d'un chiffon imprégné d'eau chaude et de savon/détergent doux sans eau de Javel. Séchez avant utilisation.
- Désinfectez le produit, veuillez consulter la section désinfection de ce Guide d'utilisation pour en savoir plus.

Mensuellement

- Tous les boulons, vis et écrous de ce produit doivent être vérifiés et resserrés pour éviter tout risque superflu
- Graisser les parties pivotantes. Un système lubrifiant professionnel par est recommandé

Annuellement

- Inspecter le châssis en vue de déceler d'éventuelles fissures et appliquer la liste de contrôle. Ne jamais utiliser un produit qui présente des défauts. Merci de se référer à la liste de contrôle

Lavage en machine

Ce produit peut être lavé pendant 10 minutes à 60°, à l'aide d'un détergent doux ou d'un désinfectant sans chlore, dans une machine conçue pour les appareils médicaux. Laissez sécher le produit avant de le réutiliser.

Désinfection

Le produit peuvent être désinfectés avec une solution d'AIP à 70 %. Il est recommandé de nettoyer les éventuels résidus et salissures présents sur le produit à l'aide d'un chiffon imprégné d'eau chaude et de savon/détergent doux sans eau de Javel et de laisser sécher avant désinfection.

Fréquence d'entretien

Une inspection détaillée du produit doit être faite tous les 12 mois (tous les 6 mois lors d'un usage intensif) de même qu'à chaque fois que l'appareil est redistribué. L'inspection doit être faite par un technicien compétent ayant été formé à l'utilisation de cet appareil. Contacter votre revendeur pour les indications de réparation.

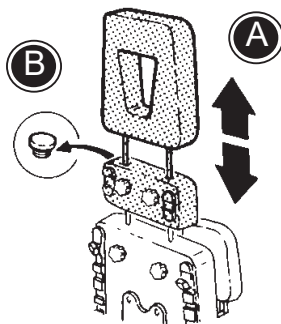
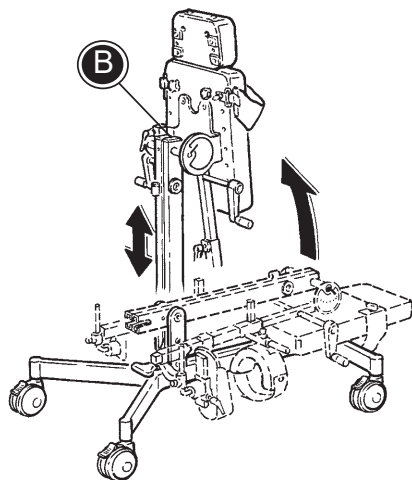
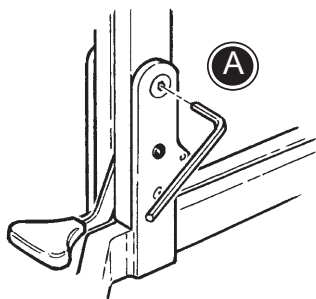


ITALIAN

Pronto all'uso

Gazelle PS viene consegnato ripiegato, per occupare il minor spazio possibile durante il trasporto. Per aprire Gazelle PS, seguire le istruzioni seguenti:

1. Accertarsi che le quattro ruote siano bloccate.
2. Premere con il piede sul telaio inferiore, mentre Gazelle PS viene sollevato in posizione verticale. Assicurarsi che Gazelle PS sia inserito esattamente nel raccordo sul telaio inferiore.
3. Con Gazelle PS in posizione verticale, utilizzare la chiave a brugola da 6 mm in dotazione per fissare la vite (A). La chiave a brugola è posta su Gazelle PS (B) ed è sempre a portata di mano per eventuali regolazioni.

**Poggiatesta con apertura facciale**

Montaggio del poggiatesta con apertura facciale

A. Le due barre di sostegno passano attraverso il supporto regolabile per il tronco dopo la rimozione di due tappi di plastica.

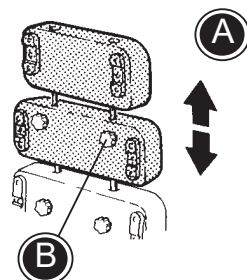
B. Le manopole di posizionamento possono essere avvitate in posizione dopo aver praticato delle aperture nel supporto regolabile per il tronco.

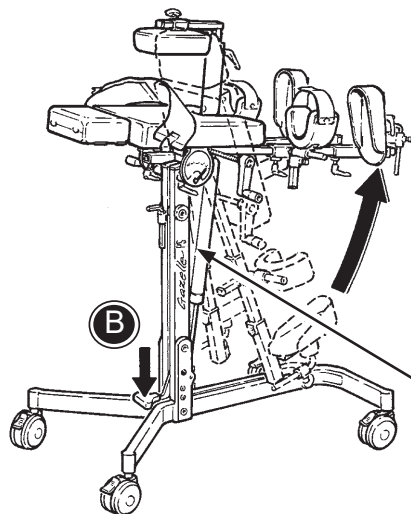
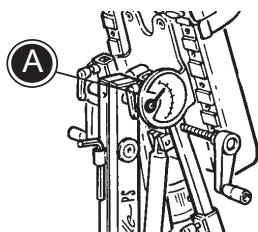
Può essere utile montare il poggiatesta con apertura facciale prima di posizionare il bambino sul tavolo in posizione orizzontale. Rimuovere il poggiatesta quando il tavolo è sollevato in posizione verticale.

Prolunga e supporto per il tronco

Su Gazelle PS è possibile montare una prolunga e un supporto per il tronco regolabili in altezza (A).

Fissare le viti sullo schienale (B).






Angolazione

Indicatore di grado (A)

Regolare l'angolo di Gazelle PS dalla posizione verticale a 15° sotto l'orizzontale premendo il pedale (B).


Per sicurezza, il pedale può essere bloccato nella posizione angolare desiderata. Ruotare il pulsante all'estremità inferiore della molla a gas e Gazelle PS si blocca (C).


 - 05 Pericolo di schiacciamento

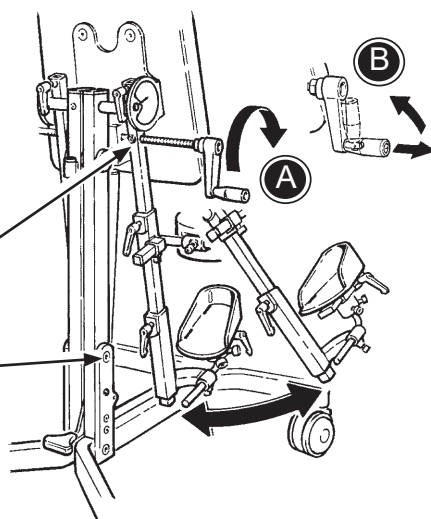
Abduzione indipendente

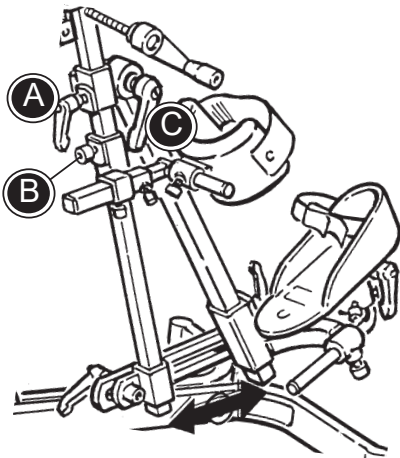
Regolare l'abduzione da 0° a 30°, ruotando l'impugnatura su entrambi i lati (A).

Impugnatura retrattile per la regolazione dell'inclinazione (B).

 - 05 Pericolo di schiacciamento

 - 05 Pericolo di schiacciamento





Supporto per ginocchia

Gazelle PS viene fornito di serie insieme ai supporti per ginocchia montati per essere utilizzati da bambini in posizione frontale. Girare i supporti per ginocchia, per poterli usare in senso contrario:

1. Allentare l'impugnatura (A) per rimuovere i supporti per piedi.
2. Allentare l'impugnatura (B) per rimuovere l'unità completa di supporto per ginocchia.
3. Montare l'unità completa di supporto per ginocchia sul lato opposto e fissarla con l'impugnatura.
4. Ruotare il raccordo per il supporto per ginocchia di 180°, allentando le viti (C) e (D).
5. Allentare la vite (E) e girare il supporto per ginocchia per posizionare il bambino all'indietro.

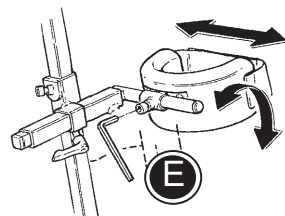
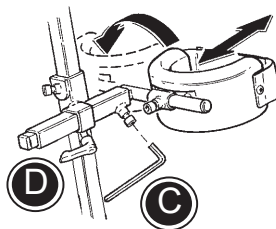
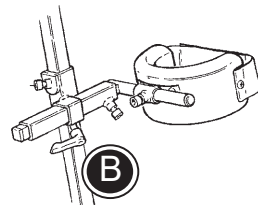
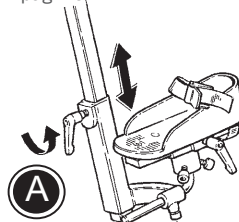
Regolare il supporto per ginocchia con la chiave a brugola da 6 mm in dotazione. Allentare le viti (C) e (D) e i supporti per ginocchia sono regolabili in profondità. Allentando la vite (E), si potranno regolare i supporti per ginocchia in larghezza e angolazione. Utilizzare l'impugnatura (B) per regolare l'altezza dell'unità completa di supporto per ginocchia.

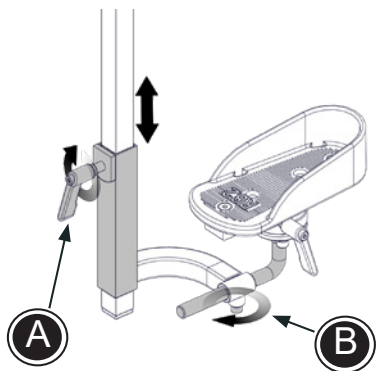
Angolazione della parte inferiore della gamba

Montare la barra per l'angolazione della parte inferiore della gamba sulla barra di abduzione come segue:

1. Allentare l'impugnatura (A) per rimuovere il supporto.
2. Allentare la vite a brugola (B) per rimuovere i supporti per ginocchia.
3. Montare il supporto per ginocchia sulla barra per l'angolazione della parte inferiore della gamba e serrare l'impugnatura (A).
4. Montare il supporto per piedi sulla barra per l'angolazione della parte inferiore della gamba.

Regolare l'altezza dell'angolazione della parte inferiore della gamba girando l'impugnatura (B) e regolare l'angolazione girando l'impugnatura (C). Per regolare il supporto per piedi, consultare pag. 16.





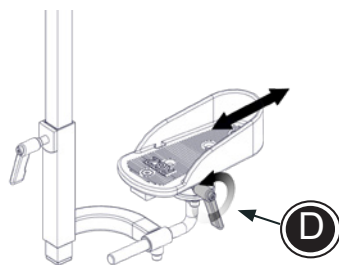
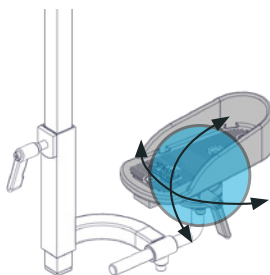
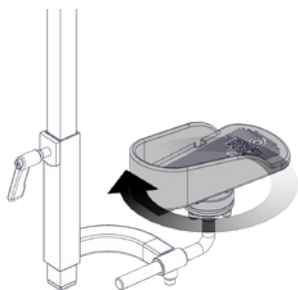
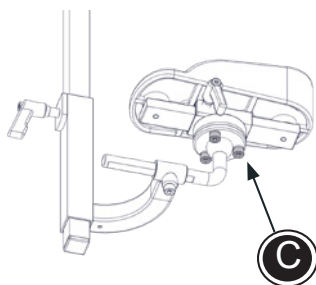
Supporto per piedi

Per l'uso in posizione inversa:

1. una volta girati i supporti per piedi, tali supporti devono essere montati sullo stesso lato in cui sono stati smontati.
2. Montare i supporti per piedi e serrare l'impugnatura. (A).
3. Allentare la vite (B) e regolare la profondità del supporto per piedi.
4. Allentare le viti (C) e ruotare il supporto per piedi di 180°. Serrare le viti nella posizione desiderata.

Il supporto della pedana è montato sul giunto. In questo modo la pedana può essere regolata in diverse angolazioni allentando le viti (C).

La piastra può essere regolata in profondità allentando l'impugnatura (D) o la vite a brugola (B).

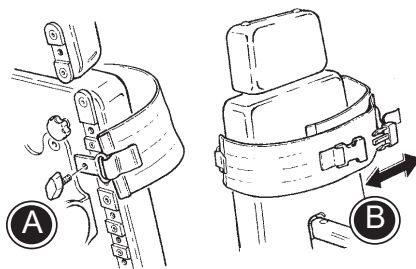




Cinghia

Montare la cinghia sul supporto per il tronco o sulla piastra di base considerando dove è necessario il supporto.

La cinghia viene montata sullo schienale (A) e fissata nella parte frontale con il velcro e un dispositivo di bloccaggio a scatto (B).



Schienale

Lo schienale è regolabile in altezza (A) e in profondità (B).


Prima di posizionare il bambino

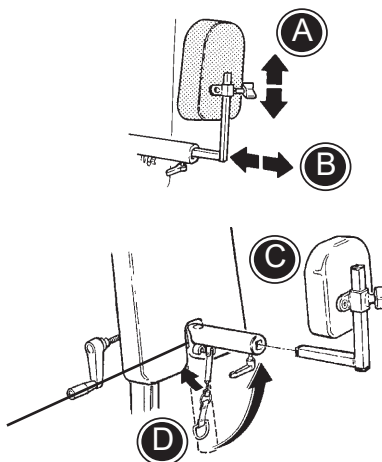
1. Rimuovere lo schienale (C).
2. Abbassare il raccordo per lo schienale tirando la catena a sgancio (D).

Fissare con le impugnature.

Il bambino non deve sedersi sul supporto per lo schienale. Tra il bambino e il supporto, mantenere sempre una distanza di un paio di centimetri.

N.B.: prestare attenzione durante il reinserimento dello schienale.

 - 05 Pericolo di schiacciamento





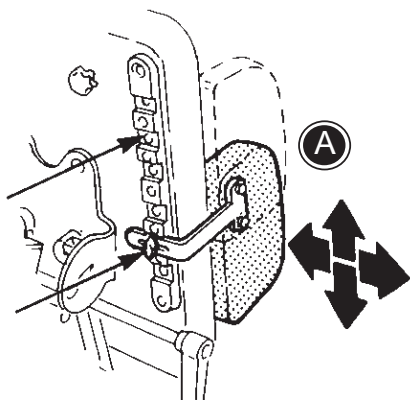
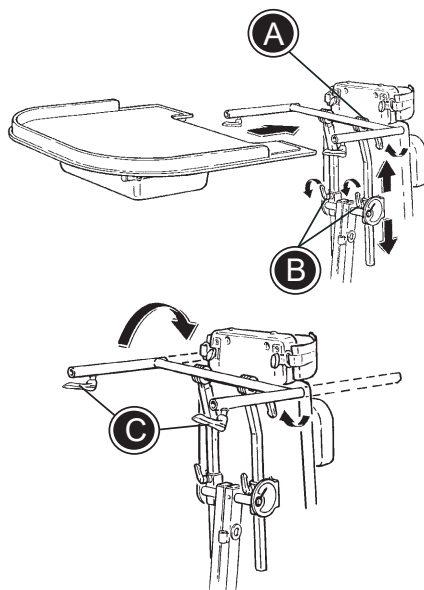
Tavolino con/senza vaschetta

Allentare completamente le impugnature grandi (A) e (B) e posizionare il supporto del tavolino nei due tubi sullo schienale. Fissare nuovamente le impugnature grandi (A) e (B).

Allentare l'impugnatura grande (A) e il supporto del tavolino può essere ruotato di 180 gradi per l'uso in posizione prona o supina.

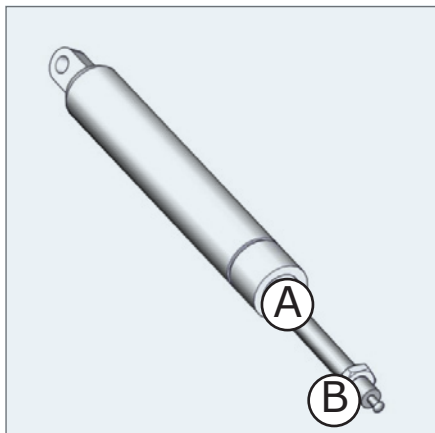
Posizionare il tavolino nei relativi tubi di supporto. Una volta raggiunta la posizione desiderata, fissare le impugnature grandi (C). Allentare le impugnature (B) per regolare l'altezza del tavolino. Allentare l'impugnatura (A) per regolare l'angolo del tavolino.

Il tavolino con vaschetta viene fornito con una piastra di copertura aggiuntiva, in modo da poter essere utilizzato come un tavolino normale.



Supporto laterale

Montare i supporti laterali sul supporto per il tronco per fornire il giusto sostegno alla parte superiore del corpo o sulla piastra di base per sostenere il corpo e i fianchi. I supporti laterali sono regolabili in altezza e profondità (A).



Regolazione della molla a gas

Gazelle PS è dotato di una molla a gas per la regolazione dell'inclinazione. Con il passare del tempo, è possibile che la molla vada regolata. La regolazione è necessaria quando:

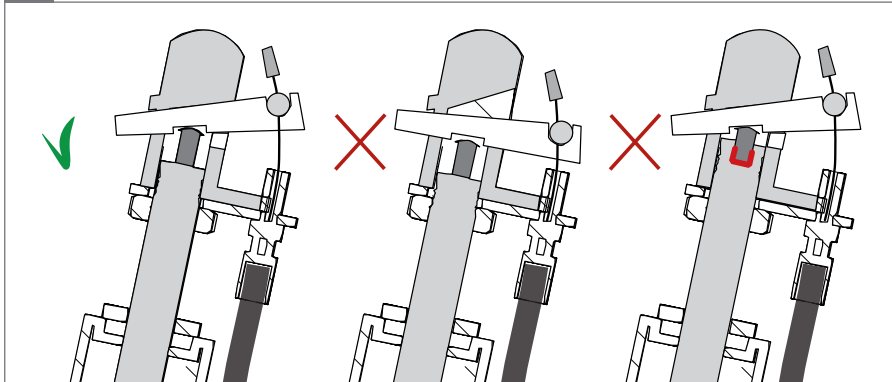
La molla a gas si sblocca

La molla a gas non può essere sbloccata

Se la molla a gas si sblocca, allentare il dado (B) con una chiave da 17 mm. Ruotare la sbarra (A) in senso antiorario per allentarla. Fissare nuovamente il dado (B).

Se la molla a gas non può essere sbloccata, allentare il dado (B) con una chiave da 17 mm. Ruotare la sbarra (A) in senso orario per fissarla. Fissare nuovamente il dado (B).

2.



IT

Grazie per aver scelto un nuovo prodotto R82, fornito a livello mondiale di ausili e applicazioni tecnologiche per bambini e adulti con bisogni speciali. Per beneficiare appieno delle possibilità offerte da questo prodotto, leggere questo Manuale d'uso prima dell'utilizzo e conservarlo per riferimenti futuri.

Destinazione

Il dispositivo è uno stabilizzatore per stazione eretta per bambini e adulti con disabilità.

Indicazioni

Il dispositivo può essere utilizzato da bambini e adulti con disabilità che incontrano limitazioni nella capacità di mantenere una posizione eretta. Il gruppo di destinatari del dispositivo varia in base alle capacità funzionali e all'antropometria e non in base a una condizione di salute specifica o all'età.

Per utente si intende la persona che si trova nello stabilizzatore per stazione eretta. Per assistente si intende la persona che aziona lo stabilizzatore. Non lasciare mai l'utente incustodito su questo prodotto. Assicurarsi che l'utente sia sempre sorvegliato da un assistente. L'uso del dispositivo può essere interrotto più volte durante la giornata, quando l'utente è sdraiato o seduto su un altro dispositivo assistito o su un altro prodotto convenzionale.

Controindicazioni

Non ci sono controindicazioni note.

Precauzioni

È necessario prestare particolare attenzione alla configurazione del prodotto e all'uso degli accessori da parte di utenti con limitazioni di:

- funzioni sensoriali e sensazione di dolore: eseguire controlli ulteriori della pressione causata dal supporto fornito dal prodotto e dai suoi accessori;
- Funzione motoria (ad es. esecuzione di movimenti involontari).
- capacità di mantenere la posizione eretta: utilizzare il prodotto con gli accessori (ad es. supporto per il torace o per la schiena);
- capacità di mantenere la posizione della testa; prendere in considerazione l'uso degli accessori o l'uso di un prodotto che supporti il posizionamento della testa.

Area di applicazione

Il prodotto è destinato all'uso in interni

Attrezzi inclusi:

- Brugole da 6 mm



Dichiarazione di conformità

Questo prodotto è conforme ai requisiti del Regolamento dispositivi medici (2017/745). Qualora il prodotto fosse modificato, utilizzato in combinazione con un prodotto di un altro produttore o utilizzato con ricambi e accessori non originali R82, il marchio CE deve essere rimosso. Inoltre, questo prodotto è conforme ai requisiti secondo:

- EN 12182



Smaltimento

Quando un prodotto raggiunge la fine della sua vita, deve essere separato in base al tipo di materiali che lo compongono, in modo che le parti possano essere riciclate o smaltite correttamente. Se necessario, si prega di contattare il rivenditore locale per una descrizione precisa di ogni materiale. Si prega di contattare e chiedere informazioni alle autorità locali relativamente alle opzioni disponibili per il riciclaggio nel rispetto dell'ambiente.

Accessori e ricambi

I prodotti R82 possono essere forniti con un'ampia varietà di accessori per soddisfare le esigenze del singolo utente. I pezzi di ricambio possono essere ordinati su richiesta. Gli accessori specifici possono essere cercati sul nostro sito oppure contattando il rivenditore locale per ulteriori informazioni.

R82 Warranty

R82 offre una garanzia di 2 anni su difetti di fabbricazione e dei materiali e 5 anni di garanzia per le rotture delle parti metalliche della struttura, se causate da difetti di saldatura. La garanzia può decadere se la responsabilità del cliente relativa a una cura e/o la manutenzione giornaliera non viene effettuata secondo le linee guida e gli intervalli prescritti da parte del fornitore e/o indicati nel User Guide. Per ulteriori informazioni, fare riferimento alla homepage R82 - sezione Download.

La durata di questo prodotto con utilizzo normale è di 8 anni, se tutta la manutenzione e gli interventi vengono effettuati secondo le istruzioni del produttore e testimoniate da documentazione.

La garanzia è valida solo nel paese in cui è stato acquistato il prodotto, e se il prodotto può essere identificato dal numero di serie. La garanzia non copre i danni accidentali, compresi i danni causati da uso improprio o negligenza. La garanzia non si estende alle parti consumabili, come ad esempio gli pneumatici o le imbottiture, che sono soggetti a normale usura e necessitano di sostituzioni periodiche.

La garanzia è nulla se non vengono utilizzati accessori e parti originali, o se la manutenzione, la riparazione e l'alterazione del prodotto non sono state effettuate secondo le linee guida e gli intervalli prescritti da parte del fornitore e/o indicati nella User Guide. R82 si riserva il diritto di ispezionare il prodotto del reclamo e la relativa documentazione prima di accettare la richiesta di garanzia e di decidere se sostituire o riparare il prodotto difettoso. È responsabilità del cliente restituire il prodotto per il quale viene richiesto reclamo in garanzia all'indirizzo di acquisto.

Información preventiva

- Support.r82.org

Sicurezza

Segni, simboli e istruzioni poste su questo prodotto non devono mai essere coperti o rimossi e devono rimanere presenti e chiaramente leggibili per l'intera vita del prodotto. Sostituire o riparare immediatamente segni, simboli e istruzioni illeggibili o danneggiati. Contattate il vostro rivenditore locale per le istruzioni.

Qualora si verificino eventi avversi correlati al dispositivo, segnalare tempestivamente gli incidenti al rivenditore locale e all'autorità nazionale competente. Il rivenditore locale inoltrerà le informazioni al produttore.

Assistente

- Leggere attentamente le istruzioni prima dell'uso e conservarle per riferimento futuro. L'uso non corretto di questo prodotto può causare gravi lesioni per l'utente
- Questo prodotto contiene componenti di piccole dimensioni che potrebbero costituire un pericolo di soffocamento se rimossi dalla posizione prevista
- Usare sempre le tecniche di sollevamento corrette e gli aiuti per questo scopo
- Non lasciare mai l'utente incustodito su questo prodotto. Assicurarsi che l'utente sia sempre sorvegliato da un assistente.
- Riparazioni/sostituzioni devono essere effettuate utilizzando ricambi e accessori nuovi e originali R82, e devono essere realizzate in conformità con le linee guida e gli intervalli di manutenzione prescritti dal fornitore
- In caso di dubbi relativamente ad un utilizzo in sicurezza continua del prodotto R82 o se qualsiasi sua parte dovesse rompersi, smettere di usare il prodotto immediatamente e contattare il rivenditore locale il più presto possibile
- Accertarsi che le parti mobili non schiaccino o intrappolino parti del corpo durante la regolazione
- Verificare che nessuna parte del corpo resti intrappolata nelle aperture per il montaggio di sostegni/accessori.
- Non è consentito trasportare il prodotto mentre l'utente lo sta utilizzando.

Ambiente

- Verificare la temperatura della superficie del prodotto prima di farvi salire un utente. Questo vale soprattutto per utenti con la pelle insensibile, che non riescono a percepire il calore. Se la temperatura della superficie supera i 41 °C, lasciare raffreddare il prodotto prima dell'uso
- Usare questo prodotto su una superficie piana e senza ostacoli. Fare attenzione alla ridotta manovrabilità sulle strade scivolose
- Quando viene utilizzato su pendenze, per garantire stabilità fare riferimento alla tabella dimensionale

Utente

- Se l'utente ha peso vicino alla portata massima e/o compie molti movimenti involontari, come ad esempio un dondolio, è consigliato utilizzare il prodotto in una misura più grande e con portata massima più elevata, o considerare un diverso prodotto R82

Prodotto

- Eseguire tutte le regolazioni per il posizionamento dell'utente sul prodotto e il montaggio degli accessori assicurandosi che tutte le manopole, viti e fibbie siano fissate saldamente prima dell'uso. Tenere tutti gli strumenti fuori dalla portata dei bambini
- Attivare i freni prima di posizionare l'utente sul prodotto
- Assicurarsi che il prodotto sia stabile prima di posizionare l'utente
- Assicurarsi che le ruote sono pienamente operativi e sicuro prima dell'uso
- Controllare il prodotto e tutti i suoi accessori e sostituire eventuali parti usurate prima dell'uso
- Non esporre la molla a gas a pressione o ad alte temperature. Non forare
- Non esporre lo stelo del pistone a gas a graffi ecc. È importante utilizzare un panno o simili per proteggerlo quando si utilizzano degli attrezzi per regolare il pistone a gas
- Il poggiatesta serve unicamente come supporto! La funzione del poggiatesta non è quella di portare pesi.
- Questo prodotto è risultato ignifugo in conformità agli standard EN 1021-1 e EN 1021-2
- Questo prodotto potrebbe perdere le proprie caratteristiche ignifughe se usato con prodotti diversi dagli originali cuscini R82
- Questo prodotto non deve essere utilizzato per il trasporto in un autoveicolo. L'utente deve essere posizionato sul sedile dell'auto e il prodotto trasportato nel vano bagagli
- L'utente non deve essere posizionato sul prodotto mentre questo viene trasportato all'interno o all'esterno di un veicolo tramite piattaforma

Informazioni sull'assistenza

La manutenzione di un dispositivo medico è completa responsabilità del proprietario del dispositivo. La mancata manutenzione del dispositivo in conformità con le istruzioni può invalidare la garanzia del dispositivo. Inoltre, la non corretta manutenzione del dispositivo può compromettere la salute o la sicurezza degli utenti e/o dei loro accompagnatori.

Primo Giorno

- Leggere le User Guide attentamente prima dell'utilizzo e conservarle in un luogo sicuro per future consultazioni

Quotidiana

- Usare un panno asciutto per pulire il prodotto
- Ispezione visiva. Riparare o sostituire le parti danneggiate o usurate
- Assicurarsi che tutti i dispositivi di fissaggio siano a posto e montati correttamente
- Controllare che non ci siano segnali di parti usurate in tutti i raccordi e le fibbie
- Fare riferimento a tutte le indicazioni di "max" prima di qualsiasi regolazione

Settimanale

- Controllare che tutte le ruote si muovano liberamente e che tutti i dispositivi di bloccaggio e freno delle ruote possano essere facilmente attivati
- Rimuovere con un panno umido e un detergente delicato eventuali residui e lo sporco dal prodotto e far asciugare prima dell'uso
- Disinfettare il prodotto. Per ulteriori informazioni, consultare la sezione Disinfezione del presente Manuale d'uso.

Mensile

- Tutti i dadi e bulloni di questo prodotto devono essere controllati e serrati per evitare danni inutili
- Lubrificare i dispositivi swing-away. Si consiglia di utilizzare un prodotto lubrificante professionale

Annuale

- Controllare il telaio per crepe o segni di parti logorate ed effettuare manutenzione annuale. Non utilizzare mai un prodotto scadente o difettoso

Lavaggio a macchina

Questo prodotto può essere lavato per 10 minuti a 60 °, con un detergente delicato o un disinfettante senza cloro, in una macchina progettata per il lavaggio dei dispositivi medici. Si prega di lasciare asciugare il prodotto prima di riutilizzarlo.

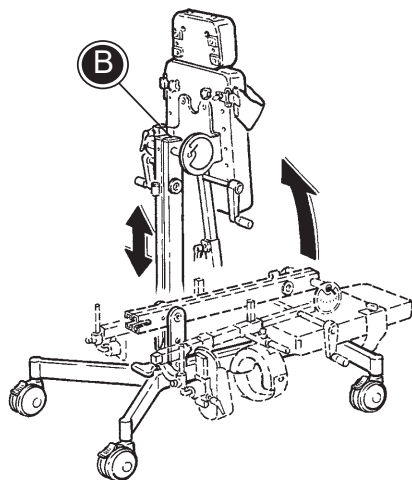
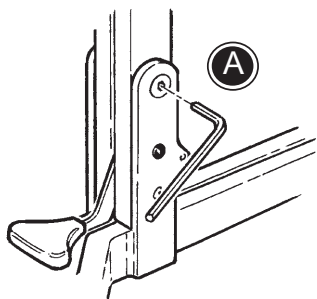
Disinfezione

Il prodotto può essere disinfettato con una soluzione di alcol isopropilico al 70%. Si consiglia di rimuovere i residui di sporizia dal prodotto con un panno inumidito con acqua calda e un detersivo/sapone delicato privo di cloro e lasciar asciugare prima della disinfezione.

Intervalli di manutenzione

Il prodotto deve essere ispezionato in modo dettagliato ogni 12 mesi (ogni 6 mesi per gli utenti di peso elevato) e ogni volta che il prodotto viene regolato nuovamente per l'uso. Il controllo deve essere effettuato da un tecnico competente con formazione specifica per l'utilizzo del prodotto. Contattare il proprio rivenditore locale per le istruzioni di riparazione, come per esempio sistemare una foratura dei pneumatici.

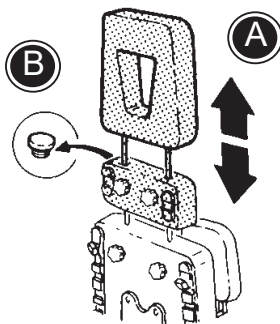
PORTUGUÊS



Pronto a usar

O Gazelle PS é entregue encartado para ocupar o menos de espaço possível durante o transporte. Siga a descrição abaixo para desdobrar o seu Gazelle PS:

1. Certifique-se de que as quatro rodas estão travadas.
2. Com o seu pé, faça pressão sobre a estrutura contra o chão, enquanto o Gazelle PS se ergue na posição vertical. Garanta que o Gazelle PS encaixa exatamente nos elementos de na estrutura no quadro base.
3. Com o Gazelle PS na posição vertical, utilize a chave Allen de 6 mm fornecida para apertar o parafuso (A). A chave Allen deve ser guardada no Gazelle PS (B) e estar sempre à mão para ajustes.



Apoio de cabeça com abertura facial

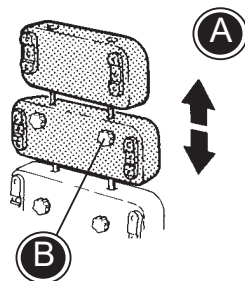
Montagem do apoio de cabeça com abertura facial:

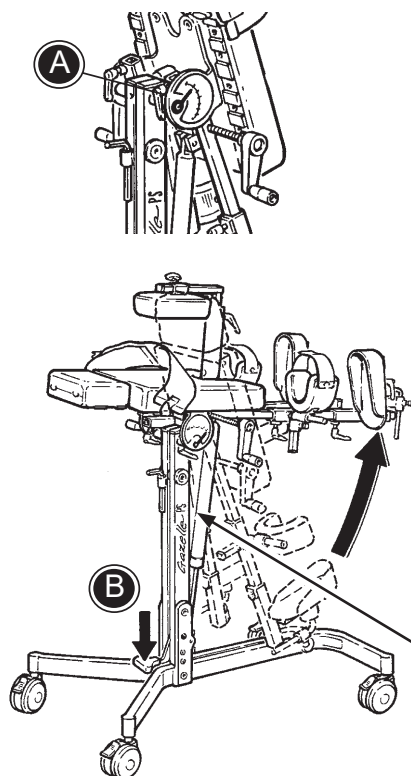
1. As duas barras de retenção são inseridas pelo suporte ajustável de do tronco após a remoção de dois bujões de plástico.
2. Os botões de posicionamento podem ser enroscados no seu lugar depois de ajustar o suporte encaixes para o tronco.

Pode ser útil montar o apoio de cabeça com abertura facial antes de colocar a criança na placa, na posição horizontal. Remova o apoio da cabeça quando a placa estiver na posição vertical.

Suporte de o tronco e extensão

O suporte de o tronco ajustável em altura e a extensão podem ser montados no Gazelle PS (A). Aperte os parafusos na parte posterior (B).






Ângulos

Indicador de graus (A)

Ajuste o ângulo do Gazelle PS desde a vertical para 15° até a horizontal, pressionando o pedal (B).


Como segurança, o pedal pode ser bloqueado na posição do ângulo desejado. Rode o botão na extremidade inferior da mola a gás e o Gazelle PS bloqueia (C).

 - 05 = Riscos de compressão

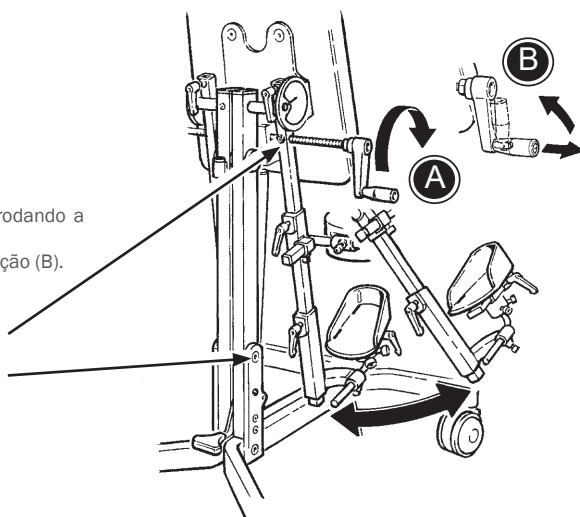
Abdução independente

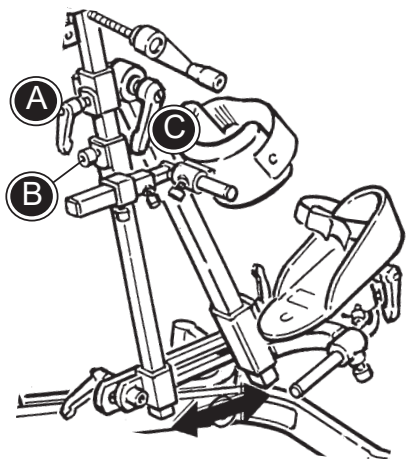
Ajuste de abdução entre 0° e 30°, rodando a manivela para ambos os lados (A).

Manivela retrátil para ajuste de inclinação (B).

 - 05 = Riscos de compressão

 - 05 = Riscos de compressão





Bloqueadores de joelho

O Gazelle PS é entregue como modelo padrão com os suportes dos joelhos montados para ser utilizado por crianças viradas para a frente. Rode os suportes dos joelhos para que possa ser utilizado por crianças viradas de costas:

1. Solte a manivela (A) para remover os apoios de pés.
2. Solte a manivela (B) para remover a unidade bloqueadores de joelhos completo.
3. Monte a unidade de Bloqueadores de joelhos completo no lado oposto e aperte com a manivela.
4. Rode o elemento de fixação para o joelho em 180°, desapertando os parafusos (C) e (D).
5. Desaperte o parafuso (E) e rode o suporte de joelho para as crianças viradas de costas.

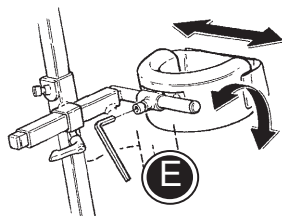
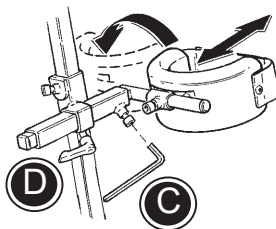
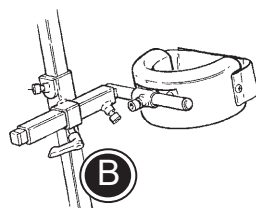
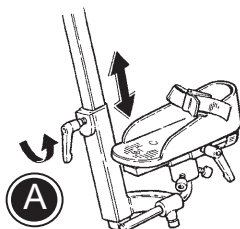
Ajuste o bloqueador de joelho com a chave Allen de 6 mm fornecida. Desaperte os parafusos (C) e (D) e os bloqueador de joelho podem ser ajustados em profundidade. Ao desapertar o parafuso (E), os bloqueador de joelho ajustam-se em largura e ângulo. Utilize a manivela (B) para ajustar a altura da unidade de bloqueadores de joelhos completa.

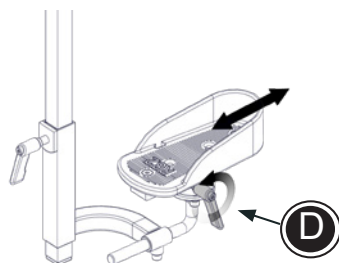
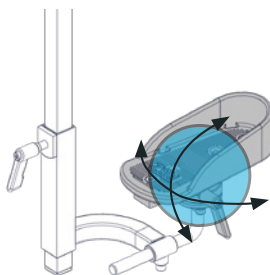
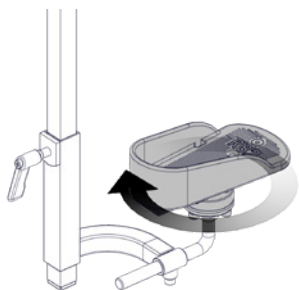
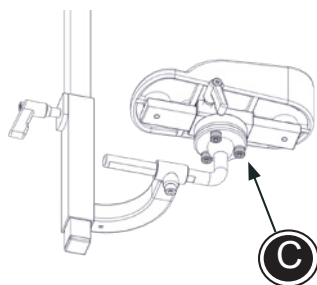
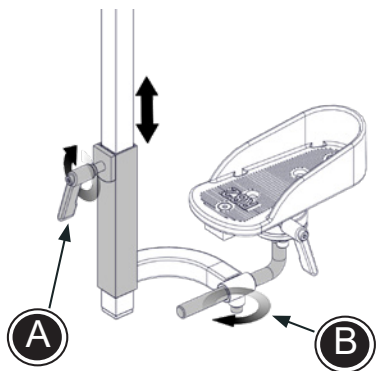
Angulação da perna

Monte a barra para a angulação da perna na barra de abdução, tal como se segue:

1. Solte a manivela (A) para remover o suporte.
2. Desaperte o parafuso Allen (B) para remover o suporte do joelho.
3. Monte o suporte do joelho na barra para a angulação da perna e aperte a manivela (A).
4. Monte o suporte do pé na barra para a angulação da perna.

Ajuste a altura de angulação da perna ao rodar a manivela (B) e ajuste a angulação ao rodar a manivela (C). Para ajustar o suporte do pé, consulte a página 16.





Apoio de pé

Para utilização na posição decúbito dorsal:

1. Quando os bloqueadores de joelhos são rodados, os apoios de pés têm de ser montados no mesmo lado em que foram desmontados.
2. Monte os apoios de pés e aperte a manivela. (A).
3. Desaperte o parafuso (B) e ajuste a profundidade do apoio de pé.
4. Desaperte os parafusos (C) e rode o apoio de pé em 180°.

Aperte os parafusos na posição necessária.

O suporte da placa de pé é montado no elemento articulado. Desta forma, a placa do pé pode ser ajustada em diferentes ângulos ao desapertar os parafusos (C).

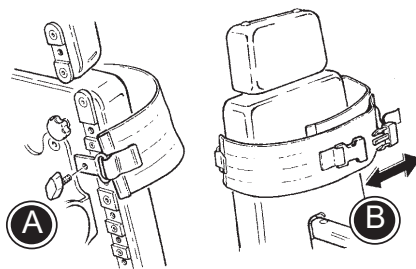
A placa pode ser ajustada em profundidade ao soltar a manivela (D) ou o parafuso Allen (B).



Faixa

Monte a faixa no suporte do tronco ou na placa base, tendo em consideração onde o suporte for necessário.

A faixa é montada na parte posterior (A) e apertada à frente com velcro e fivela de encaixe (B).



Encosto

O encosto é ajustável em altura (A) e em profundidade (B).

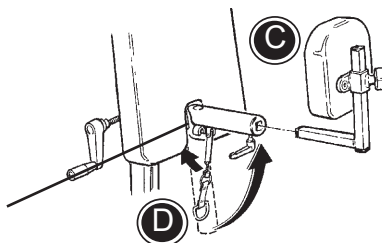
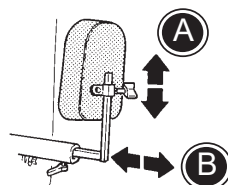
Antes de colocar a criança:

1. Remova o encosto (C)
2. Vire para baixo a peça de fixação do encosto, puxando pela correia (D).

Aperte com as manivelas.

A criança não pode sentar-se no hardware de montagem do encosto. Deve existir sempre uns quantos centímetros entre a criança e o hardware de montagem.

Dê atenção ao recolocar o encosto.



- 05 = Riscos de compressão



Tabuleiro com / sem recipiente

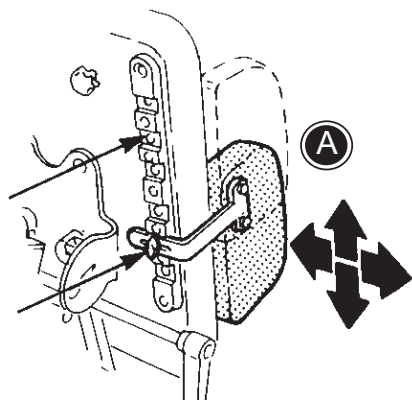
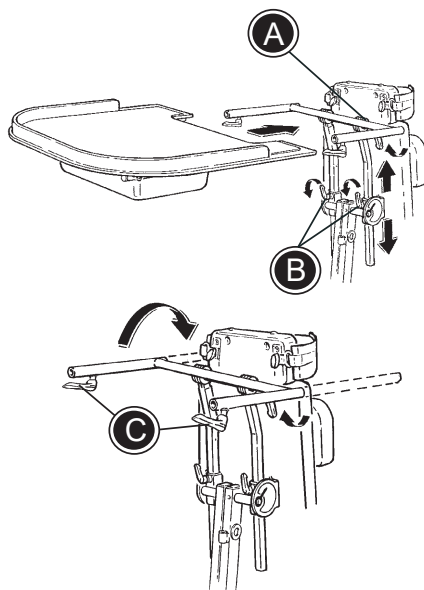
Solte as manivelas grandes (A) e (B) completamente, e fixe o tabuleiro nos dois tubos no lado posterior. Aperte as manivelas grandes (A) e (B) novamente.

Solte a manivela grande (A) e o hardware do tabuleiro pode ser rodado 180 graus tanto para um uso na posição de decúbito ventral como de decúbito dorsal.

Insira o tabuleiro nos tubos de fixação. Quando tiver alcançado a posição desejada, aperte as duas manivelas grandes (C).

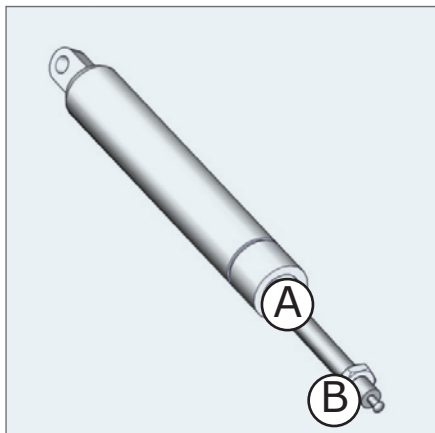
Solte as manivelas (B) para ajustar a altura do tabuleiro. Solte a manivela (A) para ajustar o ângulo do tabuleiro.

O tabuleiro com recipiente é fornecido com uma placa de cobertura extra para poder ser utilizado como um tabuleiro normal.



Suporte lateral

Monte os suportes laterais no encosto para oferecer o suporte adequado à parte superior do corpo ou, na placa base, para apoiar o corpo e a bacia. Os suportes laterais são ajustáveis em altura e em largura (A).



Ajustar o hidráulico

O Gazelle PS está equipado com hidráulico para ajuste do ângulo. Passado algum tempo, poderá requerer ajuste. O ajuste é necessário quando:

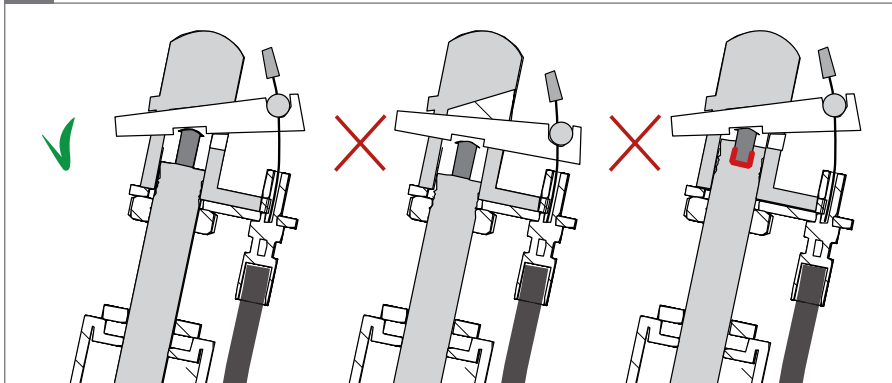
Atua por si mesmo

O hidráulico não atua

Se o hidráulico atuar por si mesmo, desaperte a porca (B) com uma chave inglesa de 17 mm. Rode a haste (A) no sentido anti-horário. Volte a apertar a porca (B).

Se o hidráulico não atuar, desaperte a porca (B) com uma chave inglesa de 17 mm. Rode a haste (A) no sentido horário para apertar. Volte a apertar a porca (B).

2.



PT

Agradecemos a sua escolha de um novo produto da R82 - um fornecedor mundial de equipamentos auxiliares técnicos e de aparelhos para crianças e adultos com necessidades especiais. Para tirar o máximo partido das opções oferecidas por este produto, leia este Manual do Utilizador antes da utilização do dispositivo e guarde-o para consulta futura.

Finalidade

O dispositivo é um verticalizador para crianças e adultos portadores de deficiência.

Indicações

O dispositivo pode ser utilizado por crianças e adultos portadores de deficiência que apresentem limitações na sua capacidade de manter a posição em pé. O grupo alvo para o dispositivo baseia-se na capacidade funcional e antropometria. Não se baseia numa condição de saúde ou idade específica. O utilizador é a pessoa em pé no verticalizador. O prestador de cuidados é a pessoa que opera o verticalizador. Nunca deixe o utilizador sem vigilância neste produto. Assegure a supervisão permanente por um prestador de cuidados. A utilização do dispositivo será interrompida mais vezes durante o dia, em que utilizador ficará deitado, ou sentado, noutro dispositivo auxiliar ou produto convencional.

Contraindicações

Não existem contraindicações conhecidas.

Precauções

Deve ser dada especial atenção às considerações sobre a configuração do produto e à utilização de acessórios por utilizadores com limitação:

- Nas suas funções sensoriais e sensação de dor; pondere verificações adicionais da pressão causada pelo suporte fornecido com o produto e os respetivos acessórios.
- Função de movimento (por exemplo, realizar movimentos involuntários).
- Na sua capacidade de manter uma posição em pé; utilize o produto com acessórios (por exemplo, o suporte do peito ou das costas).
- Na sua capacidade de manter a posição da cabeça; pondere a utilização de acessórios ou um produto que forneça suporte ao posicionamento da cabeça.

Áreas de aplicação

O produto destina-se a uma utilização em ambiente interior

Ferramentas incluídas;

- Chave Allen 6 mm



Declaração de conformidade

Este produto está em conformidade com os requisitos do regulamento relativo aos dispositivos médicos (2017/745). A marca CE tem de ser retirada quando o produto for reconstruído, quando for utilizado em combinação com um produto de outro fabricante ou quando forem utilizados acessórios e peças sobresselentes que não sejam

os originais R82. Além disso, este produto está em conformidade com os requisitos de acordo com:

- EN 12182



Eliminação

Quando um produto atinge o fim do seu tempo de vida útil, este deve ser separado por tipo de materiais para que as peças possam ser recicladas ou eliminadas corretamente. Se necessário, queira contactar o seu revendedor local para obter a descrição exata de cada material. Queira contactar as suas autoridades locais para se informar das opções disponíveis para reciclagem de forma a ser um procedimento ecológico.

Acessórios e peças sobresselentes

Os produtos R82 podem ser fornecidos com uma variedade de acessórios que satisfazem as necessidades do utilizador individualmente. As peças sobresselentes podem ser obtidas mediante pedido. Queira encontrar acessórios específicos na nossa página da internet ou contacte o seu revendedor local para mais informações.

Garantia R82

R82 oferece 2 anos de garantia relativa a defeitos de fabrico e nos materiais e 5 anos de garantia relativa à rotura da estrutura em metal causada por defeitos nas soldas. A garantia será afetada de forma adversa se o cliente não cumprir a sua responsabilidade de reparar e/ou realizar a manutenção diária de acordo com as orientações e os intervalos determinados pelo fornecedor e/ou dispostos no User Guide. Queira visitar a página da R82 na internet e proceder aos respetivos downloads para obter mais informações.

O tempo de vida útil deste produto é normalmente de 8 anos se for bem conservado e se se realizar a manutenção necessária de acordo com as instruções do fabricante e com registo documentado.

A garantia apenas é válida no país onde o produto foi adquirido e se o produto puder ser identificado pelo seu número de série. A garantia não cobre danos acidentais, incluindo danos provocados por utilizações indevidas ou por atos de negligência. A garantia não é extensível a consumíveis, por exemplo, pneus ou artigos estofados, que estão sujeitos ao desgaste normal através do seu uso e que precisam de ser periodicamente substituídos.

A garantia é nula e fica sem efeito se forem utilizados outros acessórios/peças que não sejam originários da R82, ou se o produto não tiver sido conservado, reparado ou modificado de acordo com as indicações e os intervalos determinados pelo fornecedor e/ou dispostos no User Guide (guia do utilizador). A R82 reserva-se o direito de inspecionar o produto reclamado e a documentação relevante antes de aceitar a reivindicação de garantia, e de decidir se deve substituir ou reparar o produto com defeito. É responsabilidade do cliente devolver o produto reivindicado sob garantia no endereço onde o adquiriu.

Informação pré-venda

- Support.r82.org

Segurança

Os sinais, os símbolos e as instruções existentes neste produto não podem ser cobertos ou removidos e têm de permanecer bem legíveis ao longo de todo o tempo de vida útil do produto. Substitua ou repare imediatamente os sinais, os símbolos e as instruções ilegíveis ou danificados. Contacte o seu revendedor local para obter instruções.

No caso de ocorrência de um evento adverso em relação ao dispositivo, os incidentes devem ser comunicados ao seu revendedor local e à autoridade nacional competente em tempo oportuno. O revendedor local reencaminhará as informações ao fabricante.

Prestador de cuidados

- Leia todas as instruções e User Guide atentamente antes de utilizar o produto e conserve-as para futura consulta. A utilização incorreta deste produto pode provocar ferimentos graves ao utilizador
- Este produto contém pequenas peças que podem apresentar risco de asfixia se forem retiradas do seu respetivo local
- Utilize sempre as técnicas de elevação corretas e os aparelhos auxiliares para este efeito
- Nunca deixe o utilizador sem vigilância neste produto. Assegurar a supervisão permanente por um prestador de cuidados
- É imprevisível realizar os trabalhos de reparação/substituição com base na utilização de novas peças sobresselentes e ferragens originárias da R82 e de acordo com as orientações e os intervalos de manutenção determinados pelo fornecedor
- Se tem dúvidas relativas à segurança em continuar a utilizar o seu produto R82 ou se alguma das peças falhar, pare de utilizar este produto imediatamente e contacte o seu revendedor local o mais rapidamente possível
- Certifique-se de que as peças móveis não apertam nem prendem as partes do corpo ao ajustá-las
- Certifique-se de que nenhuma parte do corpo fica presa nas aberturas para montagem de apoios/acessórios.
- O transporte do produto com o utilizador no seu interior não é permitido.

Ambiente

- Observe a temperatura da superfície do produto antes de colocar um utilizador no seu interior. Esta observação aplica-se aos utilizadores com pele sem sensibilidade, uma vez que não conseguem sentir o calor. Se a temperatura de superfície for superior a 41 °C, permita que o produto arrefeça antes de utilizar
- Utilize este produto em superfícies sem quaisquer obstáculos. Esteja atento a manobras de reduções em percursos escorregadios
- Para utilizá-lo em superfícies inclinadas, consulte Medidas

Utilizador

- Se o utilizador se aproximar do peso máximo e/ou fizer muitos movimentos involuntários como, por exemplo, balançar, deve considerar-se um tamanho maior que suporte mais peso ou um produto R82 diferente

Produto

- Realize todos os ajustes em termos de posição no produto e nos acessórios e assegure-se de que todos os puxadores, parafusos e fivelas estão bem apertados antes de utilizar. Mantenha todos os instrumentos fora do alcance das crianças
- Ative os travões antes de acomodar o utilizador no produto
- Certifique-se de que é mantida a estabilidade do produto antes de acomodar o utilizador no mesmo
- Verifique se as rodas se encontram totalmente funcionais e seguras antes do seu uso
- Inspeccione o produto e todos os seus acessórios e substitua quaisquer peças gastas antes de utilizá-lo
- Não exponha a mola a pressão ou a altas temperaturas. NÃO perfure.
- Não exponhas a biela a arranhões, etc. É importante a utilização dum pano ou semelhante, se as ferramentas forem utilizadas para ajustar a mola e gás
- A placa para os pés destina-se apenas a apoio! O apoio para os pés não possui uma função de suporte de peso
- Este produto foi testado quanto à resistência à ignição a nível de não ignição de acordo com as normas EN 1021-1 e EN 1021-2
- O produto pode perder as suas características de resistência às chamas se forem utilizadas almofadas que não sejam originárias da R82
- Este produto não se adequa para acomodar o utilizador num veículo automóvel. O utilizador tem de ser acomodado numa cadeira auto própria e o produto guardado no compartimento da mala
- O utilizador não pode ser acomodado no produto enquanto é transportado para dentro ou para fora de um veículo com rampa elevatória

Informações do serviço

A manutenção de um dispositivo médico é da total responsabilidade do proprietário desse dispositivo. A não realização da manutenção de um dispositivo de acordo com as instruções pode invalidar a garantia sobre o dispositivo. Além disso, se não realizar a manutenção de um dispositivo, poderá comprometer a condição clínica ou a segurança dos utilizadores e/ou seus prestadores de cuidados.

Primeiro dia

- Leia as User Guide atentamente antes de utilizar o produto e guarde-as em local seguro para futura consulta

Diariamente

- Utilize um pano seco para limpar o produto
- Inspeção visual. Repare ou substitua quaisquer peças danificadas ou gastas
- Certifique-se de que todos os fechos estão no sítio e corretamente engatados
- Verifique em todas as ferragens e fivelas se há peças com sinais de desgaste
- Esteja ciente de quaisquer marcas indicadoras de "máx." antes de ajustar

Semanalmente

- Verifique se todos os rodízios se movem sem problemas e se todos os travões/bloqueios de rodas podem ser facilmente ativados
- Limpe quaisquer resíduos e sujidade do produto utilizando um pano embebido em água quente e com um detergente/sabão suave, sem cloro, e seque antes de utilizar.
- Desinfete o produto. Consulte a secção sobre desinfecção neste Manual do utilizador para obter mais informações

Mensalmente

- Todas as porcas e parafusos deste produto devem ser verificadas e apertadas para evitar problemas desnecessários
- Lubrifique as peças oscilantes. Recomendamos que utilize um sistema lubrificante profissional como

Anualmente

- Inspeccione o quadro quanto à existência de fissuras ou peças com sinais de desgaste e proceda à sua manutenção anual. Nunca utilize um produto que aparentemente não cumpra as normas ou esteja deficiente

Lavagem na máquina de lavar roupa

Este produto pode ser lavado por 10 minutos a 60°, utilizando um detergente neutro e desinfetante sem cloro, numa lavagem de máquina unicamente destinada a estes dispositivos médicos. Por favor deixe o produto secar antes de utilizar.

Desinfecção

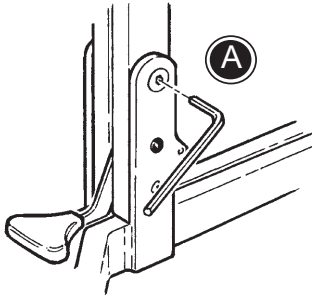
O produto pode ser desinfetado com uma solução IPA desinfetante a 70%. Recomendamos que limpe quaisquer resíduos e sujidade do produto utilizando um pano embebido em água quente e com um detergente/sabão suave, sem cloro, e seque antes de desinfetar.

Intervalos de manutenção

Deve ser realizada uma inspeção detalhada do produto de 12 em 12 meses (e de 6 em 6 meses para utilizadores pesados) e sempre que o produto for relançado para utilização. A inspeção deve ser realizada por um profissional técnico competente que tenha realizado formação na utilização deste produto. Contacte o seu representante local para instruções ou reparações.



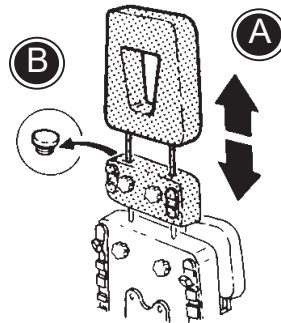
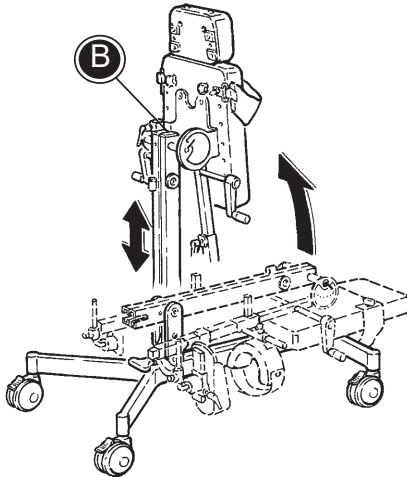
ČESKY



Příprava k užití

Gazelle PS je při doručování složen, aby zabral co nejméně místa při přepravě. Pro rozložení výrobku Gazelle PS se řiďte následujícími pokyny:

1. Ujistěte se, že všechna čtyři kola jsou zamčena.
2. Tlačte rám nohou k zemi a vytáhněte Gazelle PS do vertikální polohy. Ujistěte se, že výrobek přesně zapadne do fitinku na rámu na podlaze.
3. Když je výrobek ve vertikální poloze, použijte přiložený 6 mm šestihranný klíč k upevnění šroubu (A). Šestihranný klíč je umístěn na výrobku Gazelle PS (B) a tak je vám vždy nablízku.



Opěrka hlavy a obličejový průzor

Montáž opěrky hlavy obličejovým průzorem:

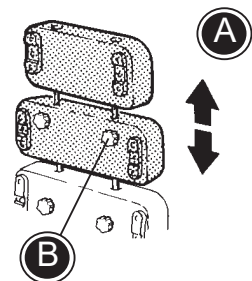
- A. Po odstranění dvou umělohmotných zástrček vsuňte dvě zbývající vzpěry do nastavitelné opěry trupu.
- B. Nastavitelná tlačítka lze našroubovat na místo poté, co vystřiháte otvory v nastavitelné opěrce trupu.

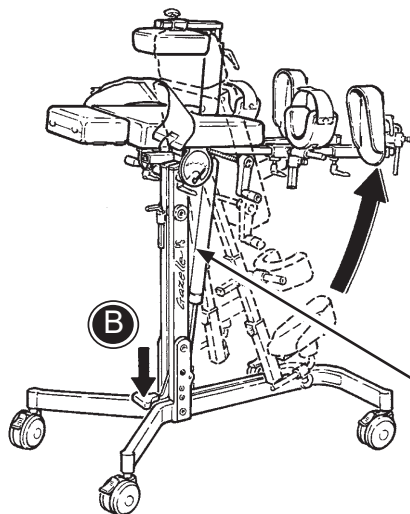
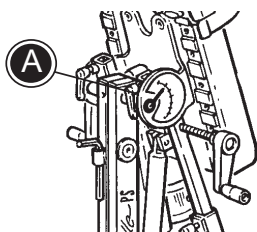
Je lepší připevnit opěrku hlavy s obličejovým průzorem před umístěním dítěte na stůl v horizontální poloze. Odstraňte opěrku hlavy, když je stůl ve vertikální poloze.

Opěra trupu a nastavení

Výškově nastavitelná opěra trupu a nastavení lze připevnit na výrobek Gazelle PS (A).

Připevněte šrouby na opěradlo (B).





Nastavení úhlu

Ukazatel stupně (A)

Nastavte úhel Gazelle PS z vertikální polohy do 15° pod horizontální sešlápnutím pedálu (B).

Pro bezpečnost lze pedál blokovat v požadovaném úhlu polohy. Otočte kolečkem na spodním konci pneumatické pružiny na zámčích Gazelle PS (C).

 - 05 Nesprávně použití

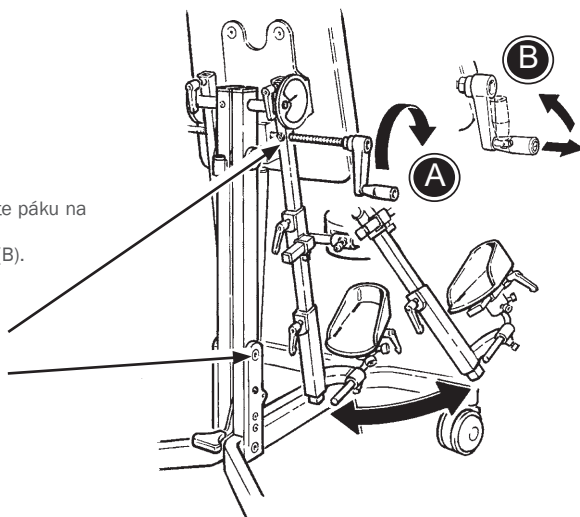
Individuální abdukce

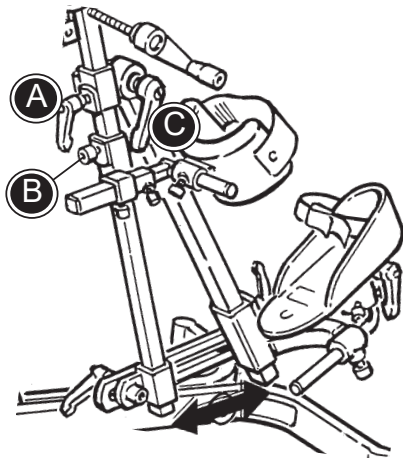
Pro nastavení abdukce 0° - 30° otočte páku na obou stranách (A).

Zatáhněte páku pro nastavení sklonu (B).

 - 05 Nesprávně použití

 - 05 Nesprávně použití





Opěrka kolien

Výrobek Gazelle PS je standardně dodáván s opěrkami kolien pro děti stojícími čelem vpřed. Pro děti stojící čelem vzad opěrky kolien otočte:

1. Uvolněte páčku (A) pro odstranění opěrek nohou.
2. Uvolněte páčku (B) pro odstranění celé jednotky opěrky kolien.
3. Připevněte celou jednotku opěrky kolien na druhé straně a utáhněte páčku.
4. Otočte fitink pro opěrku kolien o 180o uvolněním šroubů (C) a (D).
5. Uvolněte šroub (E) a otočte opěrku kolien pro děti stojící čelem vzad.

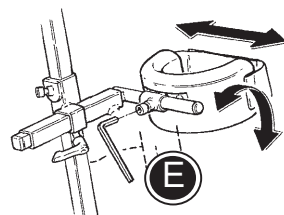
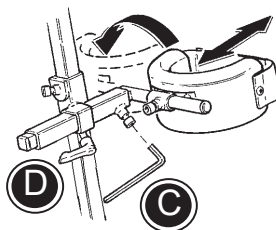
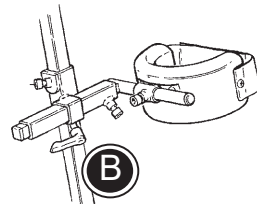
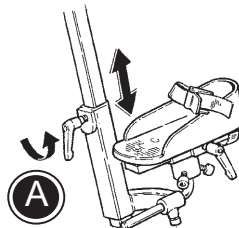
Nastavte opěrky kolien přiloženým 6 mm šestihřanným klíčem. Uvolněte šrouby (C) a (D) a opěrky kolien jsou hloubkově nastavitelné. Uvolněním šroubu (E) nastavíte šířku a úhel opěrek kolien. Použijte páčku (B) k nastavení výšky celé jednotky opěrky kolien.

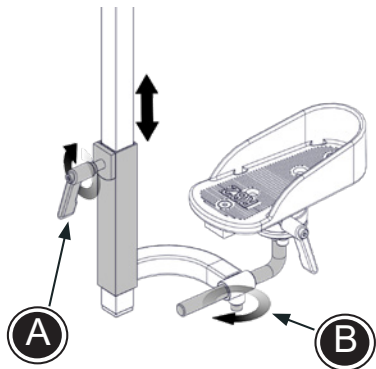
Nastavení úhlu dolní části nohou

Připevněte vzpěru pro nastavení úhlu dolní části nohou na abdukční vzpěru následovně:

1. Uvolněte páku (A) pro vyjmutí opěry
2. Uvolněte šestihřanný šroub (B) pro vyjmutí opěrky kolien.
3. Připevněte opěrku kolien na vzpěru pro nastavení úhlu spodní části nohou a páčku utáhněte (A).
4. Připevněte opěru na vzpěru pro nastavení úhlu spodní části nohou.

Nastavte výšku nastavení úhlu spodní části nohou otočením páčky (B) a nastavte úhel otočením páčky (C). Nastavení podnožky viz strana 16.





Opěrka nohou

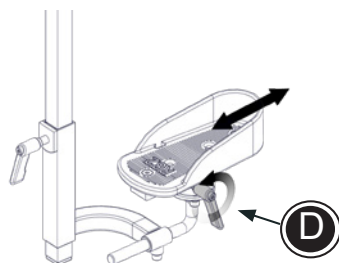
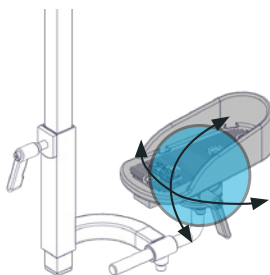
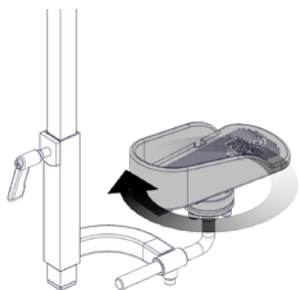
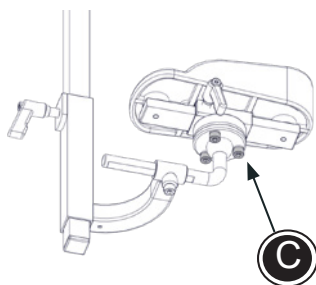
Pro postoj zády:

1. Po otočení opěrky kolen musejí být opěrky nohou připevněny na stejné straně, ze které byly odstraněny.
2. Připevněte opěrky nohou a utáhněte páčku. (A).
3. Uvolněte šroub (B) a nastavte hloubku opěrky nohou.
4. Uvolněte šrouby (C) a otočte opěrku nohou o 180°.

Utáhněte šrouby v požadované poloze

Upevnění opěrky nohou je připevněno na kloubu. Tím lze opěrku nohy nastavit do různým úhlů povolením šroubů (C).

Desku lze nastavit do hloubky uvolněním páčky (D), či uvolněním šroubu (B).

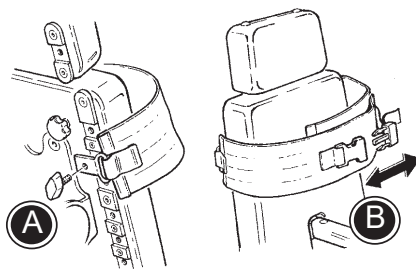




Pás

Připevňte pás na opěrku trupu či na základní desku podle potřeby opěry.

Pás je připoután na opěradle (A) a upevněn vpředu suchým zipem a fitinkem střelkového zámku (B).



Opěra křížové kosti

Opěra křížové kosti je nastavitelná do výšky (A) a hloubky (B).

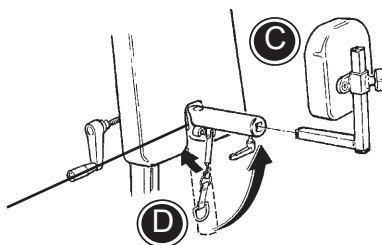
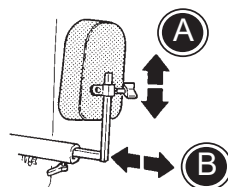
Než dítě umístíte:

1. Odstraňte opěru zad (C)
2. Složte fitink pro opěradlo zatažení uvolňovacího řetězu (D).

Utáhněte klíčky. Dbejte, aby dítě "nesedělo na" podstavci pro opěru zad. Vždy musí zůstat pár centimetrů mezi dítětem a podstavcem.

POZNÁMKA! Upravujte opěru zad opatrně.

 - 05 Nesprávně použití





Tác s / bez mísy

Povolit celkem velké páčky (A) a (B) a držák tácu umístit ve dvou trubkách v zadní části. Utáhnout páčky (A) a (B).

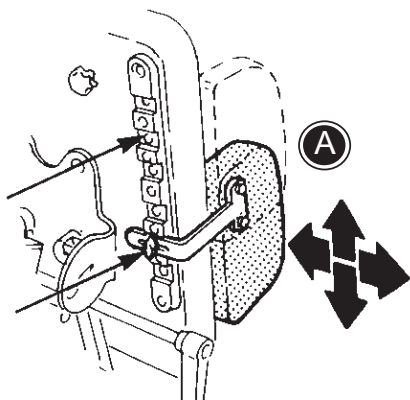
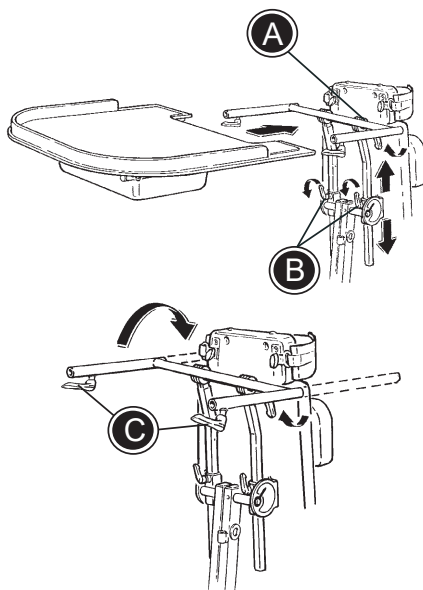
Po povolení páčky (A) držák tácu může být umístěn do pronační nebo supinační pozice.

Umístit tác v držáku. Kdy bude ve správné poloze, utáhnout velké páčky (C).

Pro nastavení výšky tácu povolit páčky (B).

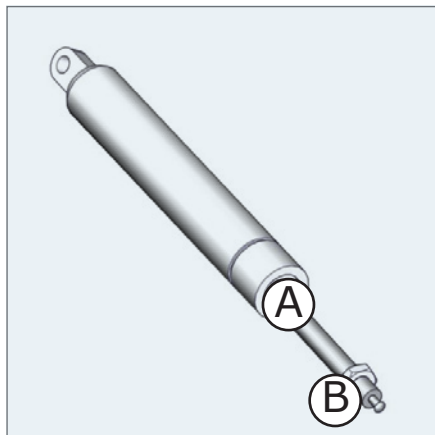
Pro nastavení úhlu tácu povolit páčky (A).

Tác s miskou je dodáván s extra deskou, aby mohl být používán jako klasický tác.



Postranní opěrky

Připevněte postranní opěrky na opěru trupu tak, abyste poskytli správnou oporu horní části těla či na základní desku tak, abyste poskytli oporu těla a bokům. Postranní opěrky jsou nastavitelné do výšky a šířky (A).



Nastavení plynového pístu

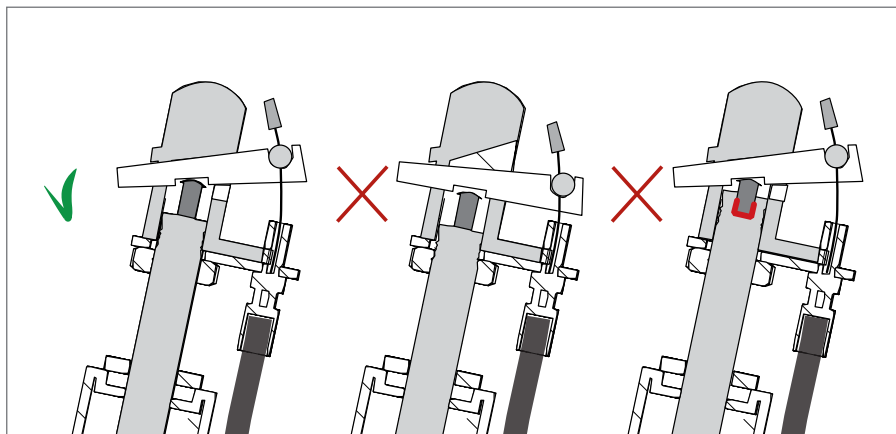
Gazelle PS je vybavena plynovým pístem pro nastavení úhlu. Po chvíli může být nutné jej upravit. Úprava je nutná, když:

Plynový píst se uvolňuje

Plynový píst nelze uvolnit.

Pokud se plynový píst uvolní, povolte matici (B) s 17 mm klíčem. Otočte lištu (A) vlevo pro uvolnění. Znovu utáhněte matici (B).

Pokud se plynový píst neuvolní, povolte matici (B) s 17 mm klíčem. Otočte lištu (A) doprava, abyste jej utáhli. (A) doprava, abyste jej utáhli. (B).



Vážíme si toho, že jste si vybrali nový produkt společnosti R82 - globálního dodavatele technických pomůcek a zařízení pro děti a dospělé se zvláštními potřebami. Abyste mohli plně využít možností, které tento produkt nabízí, přečtěte si prosím tuto příručku pro uživatele a uložte si ji, abyste se k ní mohli v budoucnu vrátit.

Určeným účelem

Zařízení je rám určený ke stání pro děti a dospělé s handicapem.

Indikace

Zařízení je možno používat pro děti a dospělé s handicapem, jejichž schopnost udržet se v pozici ve stoje je omezena. Cílová skupina pro použití tohoto zařízení je založena na funkční schopnosti a antropometrii. Není založena na specifickém zdravotním stavu nebo věku.

Uživatelem je osoba, která v rámu stojí. Pečovatelem je osoba, která rám obsluhuje. Nikdy nenechávejte uživatele umístěného v tomto produktu bez dozoru. Zajistěte stálý dohled pečovatele. Používání zařízení se během dne několikrát přeruší, když bude uživatel ležet, sedět na jiném podpurném zařízení nebo na konvenčním produktu.

Kontraindikace

Žádné kontraindikace nejsou známy.

Výstraha!

Je třeba věnovat zvláštní pozornost vyhodnocení konfigurace produktu a použití doplňků u uživatelů s omezeními:

- Senzoricky a dotazem na pocit bolesti zhodnoťte možnost další kontroly, pokud jde o tlak, způsobený podpěrami, které jsou součástí produktu a jeho příslušenství.
- Funkce pohybu (např. neúmyslné pohyby).
- Pro schopnost udržet polohu ve stoje použijte produkt společně s příslušenstvím (např. podpěru hrudníku nebo zad).
- S ohledem na schopnost udržení polohy hlavy zvažte použití příslušenství nebo použití produktu, který poskytuje oporu držení polohy hlavy.

Oblasti použití

Produkt je určen k použití v interiéru.

Příložené nářadí:

- 6 mm imbusový klíč



Prohlášení o shodě

Tento výrobek splňuje požadavky nařízení Evropského parlamentu a Rady 2017/745 o zdravotnických prostředcích. Značka CE musí být odstraněna při přestavbě výrobku, při jeho užití v kombinaci s výrobkem jiného výrobce nebo při použití jiných než původních náhradních a spojovacích dílů R82. Tento výrobek rovněž splňuje požadavky v souladu s:

- EN 12182



Informace o recyklaci

Pokud produkt dosáhne konce své životnosti, měl by být rozebrán a rozříděn dle materiálů, takže materiály mohou být recyklovány. V případě potřeby kontaktujte Vašeho místního distributora a vyžádejte si specifikaci jednotlivých materiálů. Kontaktujte prosím místní úřady pro informace o možnostech recyklace nebo likvidace použitého produktu způsobem, šetrným k životnímu prostředí.

Doplňky a náhradní díly

Výrobky R82 mohou být dodávány s celou řadou doplňků, které se volí individuálně dle potřeb uživatele. Náhradní díly se dají objednat. Volte doplňky dle nabídky na našich webových stránkách nebo kontaktujte místního dodavatele.

R82 Záruka

Společnost R82 poskytuje 2letou záruku na vady materiálu a vady vzniklé při výrobě a 5letou záruku na zlomení kovového rámu v důsledku vadných svárů. Záruka může být nepříznivě ovlivněna zanedbáním odpovědnosti ze strany zákazníka při provádění servisu či každodenní údržby v souladu s pokyny a v intervalech předepsaných dodavatelem či uvedených v návodu. Další informace naleznete na domovské stránce společnosti R82 v části Ke stažení.

Životnost výrobku je normálně 8 let, pokud se dodržují všechny kontroly a servisy v souladu s návodem výrobce.

Záruka platí pouze v zemi, ve které byl produkt zakoupen a jestliže jej lze identifikovat podle výrobního čísla. Záruka se nevztahuje na náhodné poškození včetně poškození způsobené nesprávným použitím či nedbalostí. Záruku nelze rozšířit na díly, jež nejsou odolné, podléhají běžnému opotřebení a vyžadují pravidelnou výměnu.

Záruka ztrácí platnost použitím jiných než originálních dílů či příslušenství, anebo jestliže výrobek nebyl udržován, opravován či upravován v souladu s pokyny a intervaly předepsanými dodavatelem nebo dle informací uvedených v uživatelské příručce. Společnost R82 si před uznáním garančních nároků vyhrajuje právo na prohlídku výrobku s příslušnou dokumentací a na rozhodnutí, zda bude vadný výrobek vyměněn či opraven. Výrobek, na nějž je uplatňován garanční nárok, je zákazník povinen předat na adresu místa nákupu.

Předprodejní informace

- Support.r82.org

Bezpečnost

Znaky, symboly a instrukce umístěny na tomto zařízení nesmějí být nikdy trvale zakryty nebo odstraněny a musí být udržovány v původním stavu po celou dobu životnosti výrobku. Ihned vyměňte nebo opravte poškozené znaky, symboly a instrukce. Kontaktujte Vašeho místního dodavatele pro bližší informace.

V případě nepříznivé události související se zařízením je třeba závady včas oznámit místnímu prodejci a příslušnému vnitrostátnímu orgánu. Místní prodejce předá informace výrobci.

Pečovatel

- Před používáním si pozorně přečtěte návod a instrukce a uchovejte je i pro budoucí používání. Nesprávné používání tohoto výrobku může zapříčinit vážné poranění uživatele
- Tento produkt obsahuje malé části, které by mohly představovat riziko udušení, pokud by se dostaly z určeného místa
- Vždy používejte správnou techniku zvedání a správné pomůcky pro tento účel
- Nikdy nenechávejte uživatele umístěného v tomto produktu bez dozoru. Zajistěte soustavný dohled pečovatele
- Při opravách musí být použity pouze nové originální díly R82 v souladu s návodem a musí být dodržovány intervaly prohlídek předepsány výrobcem
- Pokud máte pochybnost o bezpečném používání výrobku, okamžitě jej přestaňte používat a ihned kontaktujte Vašeho místního dodavatele
- Dbejte na to, aby pohyblivé součásti při nastavování nestiskly nebo nezachytily části těla
- Dávejte pozor, aby se žádné části těla nezachytily v otvorech pro montáž opěrek/ příslušenství.
- Není dovoleno přepravovat produkt s uživatelem upevněným k němu.

Prostředí

- Před umístěním uživatele na produkt zkontrolujte povrchovou teplotu produktu. Zejména to platí u uživatelů s necitlivou kůží, kteří necítí teplo. Pokud povrchová teplota překročí 41 °C, před použitím nechte produkt vychladnout.
- Zařízení používejte na rovném podkladu bez překážek. Buďte si vědomi omezené ovladatelnosti na kluzkých cestách
- Při používání tohoto výrobku na svazích nahlédněte do tabulky velikostí, kde nalezete údaje o stabilitě

Uživatel

- Pokud se hmotnost uživatele blíží maximální povolené a nebo má nekontrolovatelné pohyby jako např. kymáčení se, větší velikost s vyšší povolenou maximální zátěží nebo jiné zařízení R82 by mělo být zvaženo

Výrobek

- Dbejte správného nastavení výrobku a doplňků a ujistěte se, že všechny šrouby, matice a spony jsou správně dotaženy a zabezpečeny. Nářadí uchovávejte mimo dosah dětí
- Při umístění uživatele do výrobku tento zabrzděte
- Ujistěte se o stabilitě zařízení před umístěním uživatele do něj
- Ujistěte se, že všechna kola jsou před započatím používání v pořádku
- Kontrolujte zařízení a doplňky a případné opotřebené díly vyměňte
- Plynovou pružinu nevystavujte tlaku a vysokým teplotám. POZOR NA PRORAŽENÍ
- Zamezte poškrábání či jinému poškození pístnice. Při používání nářadí k seřízení plynové pružiny je důležité použít hadr či podobnou pomůcku
- Stupátko slouží pouze jako opěrka! Není určeno k nesení větší zátěže.
- Tento výrobek byl testován na odolnost vůči zápalnosti na úrovni nezápalné dle EN 1021-1 a EN 1021-2
- Použitím jiných než originálních podušek R82 může výrobek své ohnivzdorné vlastnosti ztratit
- Toto zařízení nesmí být používáno ve vozidle. Uživatel musí být umístěn v sedačce a zařízení uloženo do ložného prostoru vozidla
- Uživatel nesmí používat zařízení během nakládání do vozidla pomocí zvedací plošiny na vozidle

Servisní informace

Údržba zdravotnického zařízení je zcela na odpovědnosti majitele daného zařízení. Pokud nebude údržba zařízení prováděna dle pokynů, může to vést ke zneplatnění záruky, vztahující se na dané zařízení. Dále může nedostatečná údržba tohoto zařízení poškodit klinický stav nebo bezpečnost uživatelů a / nebo osob o ně pečujících.

1. den

- Před použitím si pečlivě přečtěte všechny pokyny k použití návodu a uschovejte je, abyste do nich mohli nahlédnout v budoucnu.

Každodenně

- Výrobek čistěte čistým hadříkem
- Vizualní kontrola. Opravte či vyměňte všechny poškozené nebo opotřebené díly
- Dávejte pozor, aby byly všechny úchyty na místě a správně osazené
- Kontrolujte známky opotřebení na všech úchytech a přezkách
- Před nastavením věnujte pozornost všem značkám, označujícím maxima

Týdně

- Zkontrolujte, zda se všechna kolečka volně otáčejí a zda se všechny zámky / brzdy koleček snadno aktivují
- Před použitím odstraňte zbytky nečistot z produktu vlhkým hadříkem namočeným v teplé vodě s jemným čisticím prostředkem/mýdlem neobsahujícím chlor.
- Vydezinfikujte produkt. Více informací naleznete v části věnované dezinfekci v tomto návodu.

Měsíčně

- Všechny matice a šrouby na tomto produktu je třeba zkontrolovat a dotáhnout, abyste se vyhnuli závadám
- Naklápěcí části mažte. Doporučujeme používat profesionální lubrikační systém

Ročně

- Prohlédněte rám zařízení zda nevykazuje poškození nebo praskliny nebo náznaky abnormálního opotřebení. Nikdy nepoužívejte výrobek, který tyto závady vykazuje

Omyvatelné zařízení

Tento výrobek je možno strojně mýt po dobu 10 minut při 60 °, při použití neagresivních mycích prostředků bez obsahu chlóru. K mytí musí být použito zařízení k tomu určené. Po mytí nechte výrobek před dalším používáním uschnout.

Dezinfekce

Produkt bez doplňků lze dezinfikovat v 70% dezinfekčním roztoku IPA. Před dezinfekcí doporučujeme z produktu odstranit zbytky a nečistoty hadříkem namočeným v teplé vodě s jemným čisticím prostředkem/mýdlem neobsahujícím chlor.

Servisní intervaly

Detailní kontrola zařízení se musí provádět každých 12 měsíců (u hmotnějších uživatelů každých 6) a pokaždé musí být zařízení schváleno pro další používání. Kontrolu musí provádět technicky zdatný pracovník, který je k tomuto proškolen. Kontaktujte Vašeho místního dodavatele za účelem opravy.





R82 A/S

Parallevej 3
8751 Gedved
Denmark
Tel +45 79 68 58 88
Fax +45 75 66 51 92
etac.com
facebook.com/R82global/

DISTRIBUTOR:

M1110

Reserving our rights for printer's error or discontinued products
Please find an updated edition on our website etac.com
The design and patents are all registered design and patents of R82.

© 2013 R82 A/S All rights reserved The R82 logo and the icons are registered trademarks of R82 A/S