

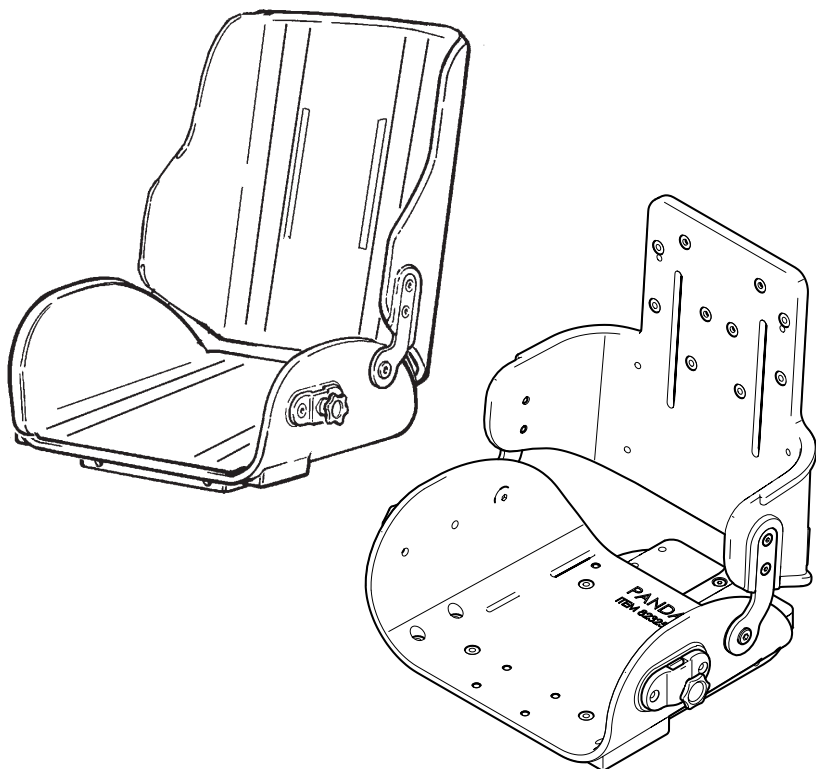


# User manual

## Panda Futura

**R82**<sup>®</sup>  
by Etac

M1050 - 2024-04-30 - Rev. 15.0



[www.etac.com](http://www.etac.com)

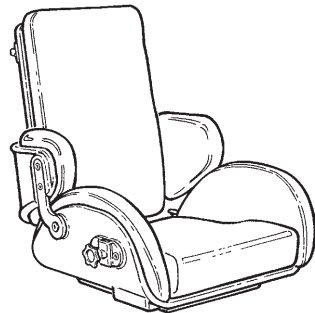


# panda futura<sup>™</sup>

English manual

## CONTENTS

General .....	3
Safety .....	4
Service & maintenance information .....	5
Product identification .....	6
Measurements .....	8
Symbols .....	9
Transfer .....	9
Accessories .....	10
Seats - Mounting / dis-mounting the seat .....	11
Back recline / Back extension.....	12
Head support .....	13
Push brace / Push handles.....	14
Side supports / Swing-away side supports.....	15
Seat extension.....	15
Footrest / Pommel .....	16
Arm rests and tray .....	17
Mounting fixlocks .....	18
Vest and cross vest / Sternum belt .....	19
5-point belt / Chest belt.....	20
Hip belt / Y-hip strap .....	21
Pelvis harness / Ankle straps.....	22
Foot straps / Hand cuff .....	23
H-belt / Thermo bag / Rain cape with hood .....	24



## General

We appreciate your choice of a new product from R82 - a worldwide supplier of technical aids and appliances for children and teenagers with special needs. To fully benefit from the options offered by this product please read this User Guide before use and save it for future reference.

### Intended purpose

The device is a modular seating system for children and adults with disabilities.

### Indications

The device can be used by children and adults with disabilities, who lack the ability to maintain a seated position. The target group for the device is based on functional ability and not a specific health condition or age.

The user is the person sitting in the device. The caregiver is the person operating the device. Never leave the user unattended in this device. Ensure permanent supervision by a caregiver.

The use of the device will be discontinued more times during the day where the user will be lying down, standing or sitting in another assistive device or a conventional product.

For transportation the device is suitable for children and adults in the weight range of 22 kg to specified max user weight for transportation.

### Contra indications

There are no known contra indications

### Precautions

Special attention should be given to the considerations about the configuration of the product and the use of accessories for users with limitation in their:

- sensory functions and the sensation of pain consider extra checks of the pressure caused by the support provided by the device and its accessories.
- movement function (e.g. experience involuntary movements), consider using a device with a dynamic backrest.
- ability to maintain a seated position, use the product with accessories (e.g. side supports, vests, belts or arm supports and a tray).
- ability to maintain the position of their head, consider to use accessories or to use a product that provides support to the positioning of the head.

### Application areas

The product is for indoor and outdoor use

### Enclosed tools:

- 5 mm Allen key

### Declaration of Conformity

This product conforms to the requirements of the Medical Devices Regulation (2017/745).

The CE mark must be removed when:

- Rebuilding the device
- Using the device outside the intended purpose and declaration of conformity
- Using other than original R82 spare parts and fittings.

When combining the device with other devices, the combination must not change the intended purpose of the devices or modify the devices in such a way that compliance with the applicable requirements may be affected. The person / company responsible for the combination of the devices must ensure that the applicable requirements are fulfilled.

Applicable requirements examples:

- Material safety (biocompatibility, flammability), mechanical safety (stability, squeezing hazards, inter connection), electrical safety.



### Disposal

When a product reaches the end of its lifetime, it should be separated by material type so that the parts can be recycled or disposed of properly. If required, please contact your local dealer for a precise description of each material. Please contact your local authorities to be informed of the options available for recycling in an environmentally-friendly way.

### Accessories and spare parts

The products from R82 can be supplied with a variety of accessories including vests and belts which comply with the needs of the individual user. Spare parts can be ordered on request. Find the specific accessories on our website or contact your local dealer for further information.

### R82 Warranty

[www.etac.com/support](http://www.etac.com/support)

### Presales information and instructions

Presales information and instructions are available at [www.etac.com](http://www.etac.com), under your product, in the documents section.



## Safety

Signs, symbols and instructions placed on this product must never be covered or removed and must remain present and clearly legible throughout the entire lifetime of the product. Immediately replace or repair illegible or damaged signs, symbols and instructions. Contact your local dealer for instructions.

Any adverse event in relation to the device must be reported to your local dealer and the national competent authority in a timely manner. The local dealer will forward information to manufacturer.

## Caregiver

- Read the “User Guide” carefully before use and keep it for future reference. Incorrect use of this product may cause serious injury to the user.
- This product contains small parts which could present a choking hazard if removed from their intended placing.
- Always use the correct lifting techniques and aids for this purpose.
- Never leave the user unattended in this product. Ensure permanent supervision by an adult.
- Repair/replacements must only be made using new original R82 spare parts and fittings and carried out in accordance with the guidelines and service intervals prescribed by the supplier.
- If there is any doubt as to the continued safe use of your R82 product or if any parts should fail, stop using the product immediately and contact your local dealer as soon as possible.
- Information regarding frame and seat combinations including max. load in combination can be found at: etac.com.
- Information about transportation can be found in the document “M1460 Transportation in Motor Vehicles” supplied with the product.
- Inspect the product and all of its accessories and replace any worn out parts before use.
- Do not expose the piston rod to scratches etc. It is important to use a cloth or the like, if tools are used to adjust the gas spring.
- This product is tested for resistance to ignition at level non-ignition in accordance with EN 1021-1, EN 1021-2 and ISO 7176-16.
- The product might lose its flame resistant characteristics if using other than original R82 cushions.
- The product is approved for transportation in vehicles according to ISO 7176-19. More information can be found in the document “M1460 Transportation in Motor Vehicles” supplied with the product.
- In accordance with ISO 7176-19 Annex D, the product is evaluated regarding the ability to accommodate vehicle-anchored pelvic and shoulder belts. The device receives an overall score of “Good”.
- In accordance with ISO 16840-4:2009 annex D the product is evaluated regarding the overall seating system accommodation. The product receives a score of “Good”

## Environment

- Observe the surface temperature on the product, before placing an user in it. This goes especially for users with insensitive skin as they can not feel the heat. If the surface temperature is above 41 °C then allow the product to cool before use.

## User

- If the user is close to the max. load limit and/or has a lot of involuntary movements, e.g. rocking, a larger size with a higher max. load or a different R82 product should be considered.

## Product

- Carry out all positional adjustments on the product and accessories and ensure that all knobs, screws and buckles are securely fastened before use. Keep all tools out of the reach of children.
- Ensure the stability of the product is maintained before placing the user in it.

## Service & maintenance information

Service and maintenance of a medical device is wholly the responsibility of the owner of that device.

Failure to service and maintain a device in accordance with the instructions may invalidate the device's warranty. Furthermore, failure to service and maintain a device may compromise the clinical condition or safety of users and/or their caregivers. Do not perform service and maintenance while the user is in the product. Contact the local dealer for assistance, if needed, in setting up, using or how to perform service and maintenance of the device.

### Lifetime

The lifetime of this product in normal use is 8 years if all maintenance and servicing is carried out in accordance with the manufacturer's instructions and demonstrably recorded.

### Reuse

This product and its accessories/components are suitable for reuse.

### Refurbishment for reuse

Before reuse or changing the user, follow the service checklist, maintenance and washing instructions and carry out regular inspections.

### Service interval

The frequency of inspection may be altered depending upon use and wear. It is recommended that the product is inspected yearly, every time the product is re-issued for use and after a long-term storage (more than 4 months). The inspection should be carried out by a person who understands the use of the product.

### Service checklist:

Check and adjust the following as per their intended use:

- Back recline and the handle for locking the back in position.
- Accessories can be inserted and locked in the fittings in the top of the back, using the knob and handles mounted in the fittings.
- Inserts for fittings in the back and seat is in good condition
- Nuts and bolts on the product are tightened
- Fittings and buckles for signs of worn out parts
- Product for cracks or signs for worn-out parts
- All labels on the product are intact

Repair or replace any damaged or worn out parts.

### Maintenance

Before every use it is recommended to:

Wipe off any residue and dirt from the product, using a cloth with warm water and a mild detergent/soap without chlorine and let it dry before use carry out a visual inspection, for any damaged or worn-out parts.

### Washing

#### Main product

This product can be washed at 60° using a mild detergent for 10 minutes in a washing machine

designed for medical devices. Use the machine's drying function to dry the product. Unmount all accessories and wash them separately.

#### Fabric and covers

The cover can be washed at max. 40 °C using a mild detergent in a washing machine.

Separate foam and cover before wash.

#### Foam

The foam inserts must only be washed by hand. Use warm water and a mild detergent/soap without chlorine and let all parts dry before use.

During and after washing the foam, do not bend, squeeze or wring it, as it may negatively affect the shape.

#### Handwash

This product and its accessories can also be washed by hand. Use warm water and a mild detergent/ soap without chlorine and let all parts dry before use.

#### Disinfection

The product can be disinfected with a 70% disinfectant IPA solution. It is recommended to wipe off any residue and dirt from the product, using a cloth with warm water and a mild detergent/soap without chlorine and let it dry before disinfection.

#### Materials

- Aluminium
- Plastic
- Stainless steel
- Steel
- Fabric
- Foam

#### Surface treatment

The following surface treatment processes were used to protect against corrosion:

- Lacquered surfaces = Polyester powder coating or ED-coating
- Non-lacquered aluminium parts = Anodized coating
- Non-lacquered steel surfaces = Galvanized.







## MEASUREMENTS

	Effective seat depth mm (inch)	Effective seat width mm (inch)	Backrest height mm (inch)	Armrest to seat distance mm (inch)	Mass device kg (lb)
Panda Active, size 2	240 (9 ½")	220 (8¾")	350 (13¾")	130-180 (5-7")	5.2 (11.5)
Panda Active, size 2½	280 (11")	250 (9¾")	380 (15")	130-180 (5-7")	5.6 (12.3)
Panda Active, size 3	310 (12¼")	290 (11½")	400 (15¾")	130-240 (5-9½")	6.2 (13.7)
Panda Active, size 4	360 (14¼")	320 (12½")	450 (17¾")	130-240 (5-9½")	7.5 (16.5)
Panda Standard, size 1	220 (8¾")	220 (8¾")	290 (11½")	130-180 (5-7")	5.7 (12.5)
Panda Standard, size 2	240 (9½")	220 (8¾")	390 (15¼")	130-180 (5-7")	5.7 (12.5)
Panda Standard, size 2½	280 (11")	250 (9¾")	410 (16¼")	130-180 (5-7")	6.2 (13.7)
Panda Standard, size 3	310 (12¼")	290 (11½")	440 (17¼")	130-240 (5-9½")	7.3 (16.1)
Panda Standard, size 4	360 (14¼")	320 (12½")	535 (21")	180-240 (7-9½")	8.7 (19.2)

	Max user mass kg (lb)	Max user mass at transportation kg (lb)	Backrest angle	Front location of armrest structure mm (inch)	Max rated load
Panda Active, size 2	30 (66.1)	-	(-4') - (27')	280 (11")	37.2 (82)
Panda Active, size 2½	50 (110.2)	-	(-10') - (20')	280 (11")	57.6 (126.9)
Panda Active, size 3	50 (110.2)	-	(-9') - (27')	370 (14½")	58.2 (128.3)
Panda Active, size 4	60 (132.3)	-	(-6') - (17')	480 (19")	69.5 (153.2)
Panda Standard, size 1	30 (66.1)	-	(-3') - (28')	280 (11")	37.7 (83.1)
Panda Standard, size 2	30 (66.1)	30 (66.1)	(-15') - (32')	280 (11")	37.7 (83.1)
Panda Standard, size 2½	50 (110.2)	50 (110.2)	(-10') - (35')	280 (11")	58.2 (128.3)
Panda Standard, size 3	50 (110.2)	50 (110.2)	(-5') - (36')	370 (14½")	59.3 (130.7)
Panda Standard, size 4	60 (132.3)	57 (125.7)	(-5') - (30')	370 (14½")	70.7 (155.8)

---

**Symbols**


---



For indoor and outdoor use

---



Consult instructions

The latest version of the instructions is always available on the Etac website and can be printed in larger sizes

---



Warning

This symbol appears in the User Guide along with a number referring to the instructions below. It draws attention to situations where the product or the user or carer's safety may be in danger

01 = Entrapment Hazards

02 = Tilting Hazards

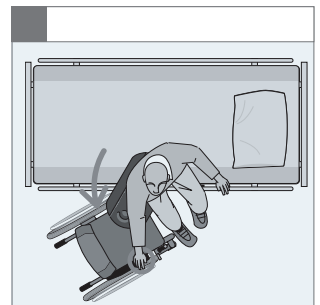
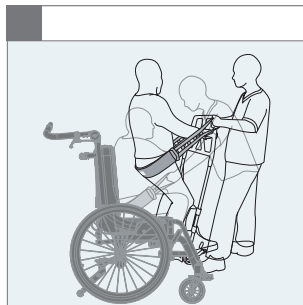
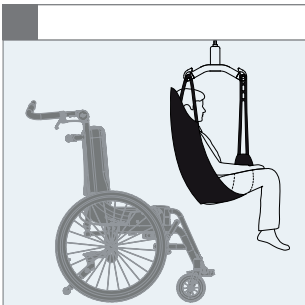
03 = Transportation in motor vehicles




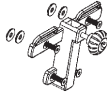
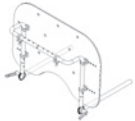
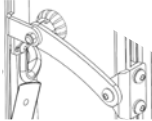
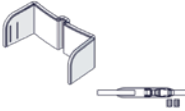

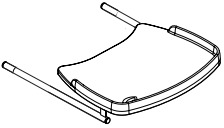
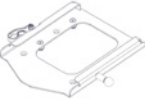

05 = Squeezing Hazard

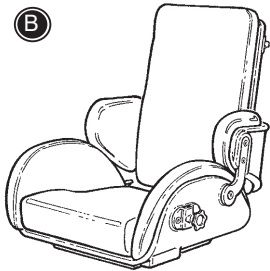
---

## TRANSFER

Always use the correct transfer and lifting techniques for this purpose.



			
	9996097901		9996097738
	9996097699		N/A
	9996097128		N/A
	9996097338		N/A
	9996097339		N/A
	9996097699		N/A
	9996097714		N/A
	9996097720		N/A



## SEATS

The Panda Futura seat is available as (A) STANDARD in 5 sizes and as (B) ACTIVE in 4 sizes.

The ACTIVE seat is shaped to allow greater upper extremity movement and is ideal for more active children.

The STANDARD seat is shaped with sides, which give the child more support and less movement possibilities. A child's support requirements will determine which model is most appropriate. Both models are prepared for the large range of accessories.

## MOUNTING / DISMOUNTING THE SEAT

### To mount the seat:

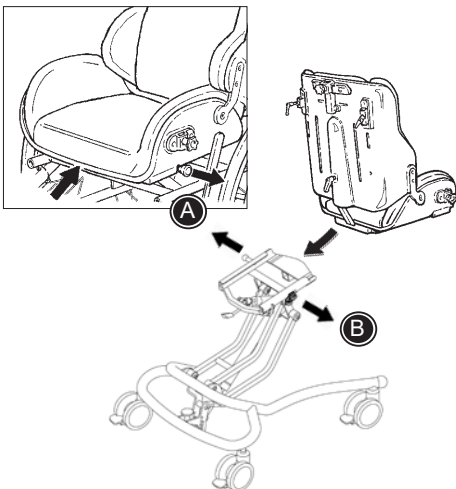
Place the seat in the adapter and push it all the way back, until it „clicks” into place.



Do not use the first hole it „clicks” into. This is just the „safety hole” which will „catch” the seat if the knob accidentally should pop out of its right hole.

### To dismantle the seat:

Unlock the red handle (B). Pull out the knob (A), pull the seat forward, and lift at the same time.



## BACK RECLINE

Loosen the handle (A) to recline the back.



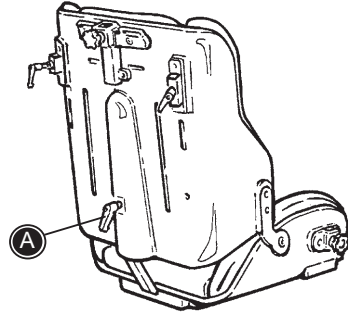
Firmly grab the back of the chair before loosening the handle to prevent sudden recline.



When reclining the back, please be careful not to get fingers caught between the back and the seat.



Warning 05 Squeezing hazard between the back and a frame/pushbrace when adjusting the back angle



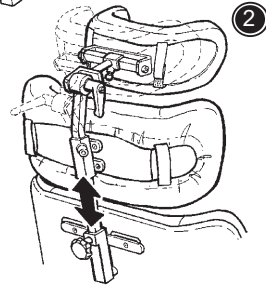
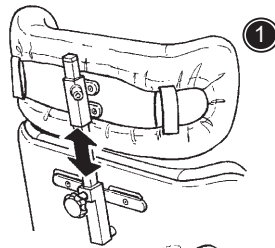
## BACK EXTENSION

1) Height adjustment of the back extension.

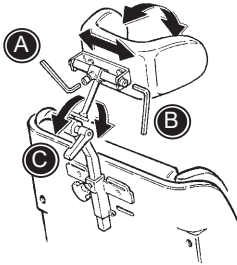
2) Mounting a head support and back extension together. Head support bar is used as a through bar.



When adjusting the back extension, please be careful not to get fingers caught between the back of the chair and the back extension.



## HEAD SUPPORT



A) Lateral adjustment of the head support.

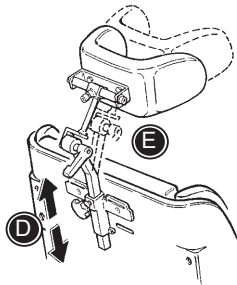
B) Angling the head support.

C) Angling the arm of the head support.

D) Height adjustment.



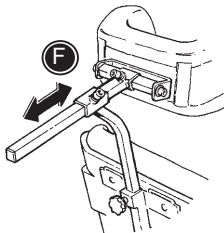
A, B, C and D have to be loose, to make correct head support adjustments. When the correct position is determined, tighten A, B, C and D.



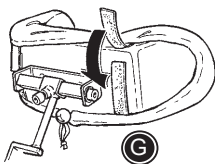
E) The head support bar can be turned 180° for additional anterior support.

F) A head support with „Swan-neck“ bar is available if the standard bar does not provide enough anterior support.

G) Mount the cover on the head support.



Warning 05 Squeezing hazard between the head support and frame/pushbrace when adjusting the back



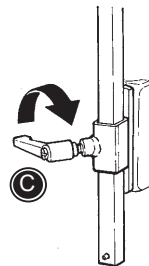
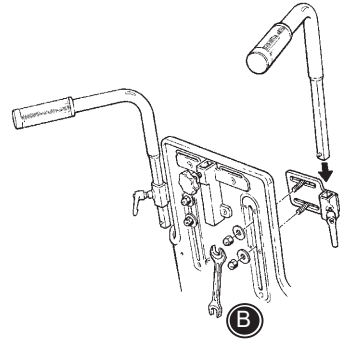
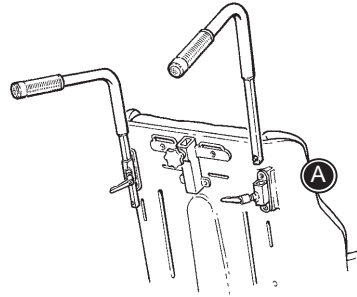
## PUSH BRACE / PUSH HANDLES

### Panda Standard:

The fittings are mounted on the back using the Allen key (A). The push brace/push handles are mounted in their fittings on the seat back. Fasten with the handle (C).

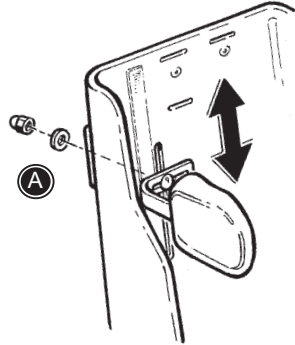
### Panda Active:

Start by mounting the fittings in the back rest as shown (B). Place the handles in the fittings and tighten carefully (C).



## SIDE SUPPORTS

Remove the back cushion and mount the side supports in the slots in the seat back (A).



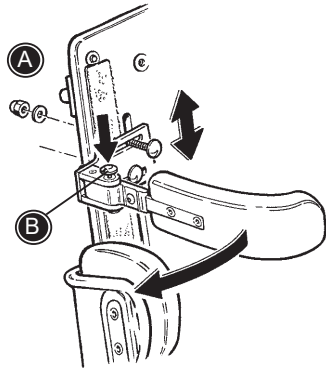
## SWING-AWAY SIDE SUPPORTS

Remove the back cushion and mount the swing-away side supports in the slots (A) in the seat back.

The swing-away side supports are released by pressing the red button (B) and then swing away.



The carer should check and oil the swing away parts occasionally - at least every 3 months.



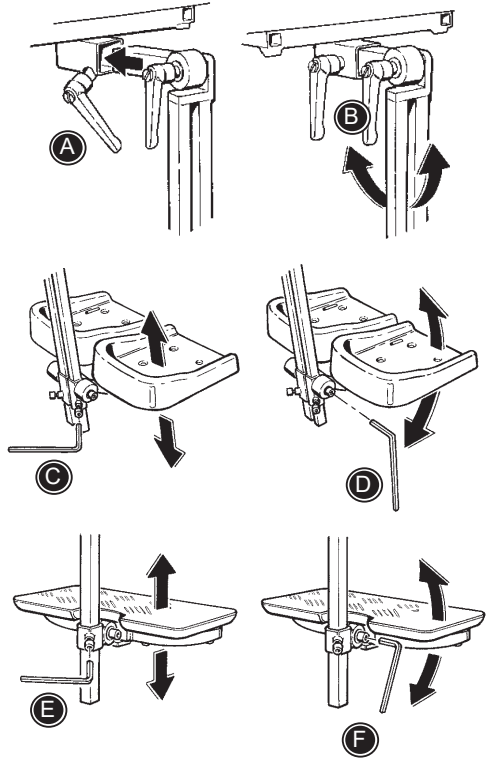
## SEAT EXTENSION

The seat extension is inserted in the adapter under the seat and placed in the wanted position. Fasten with the handle (A).



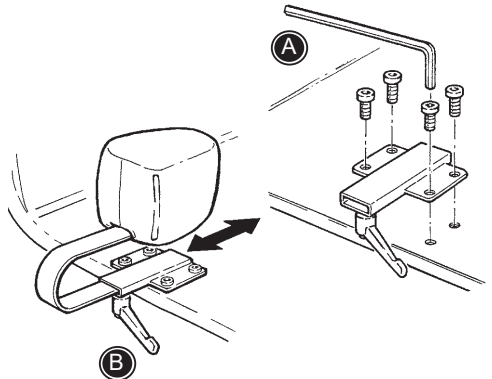
## FOOTREST/ FOOTBOARD

- A) Use the clamping handle to mount and depth adjust the footrest bar.
- B) Use the handle to angle the footrest bar.
- C) Use a 6 mm Allen key to height adjust the footrest.
- D) Use a 6 mm Allen key to angle the footrest.
- E) Use a 6 mm Allen key to height adjust the footboard.
- F) Use a 6 mm Allen key to angle the footboard.



## POMMEL

- A) The mounting hardware is attached with a 6 mm Allen key.
- B) The pommel is mounted in the hardware and is adjustable in depth by using the handle.




## ARM RESTS AND TRAY


A) Height adjustment of the arm rests.


B) Adjustment of the tray, sideways.

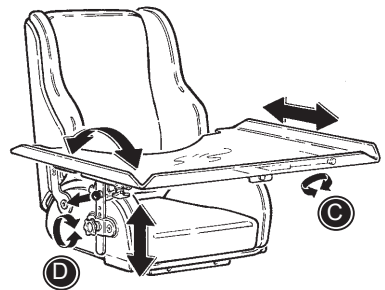
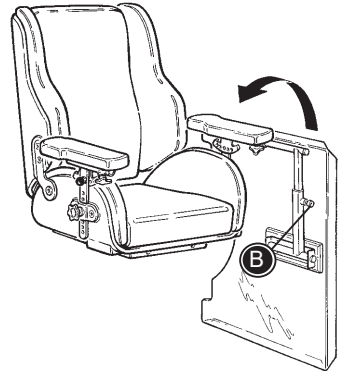
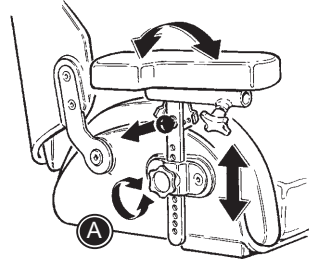
C) Depth adjustment of the tray.

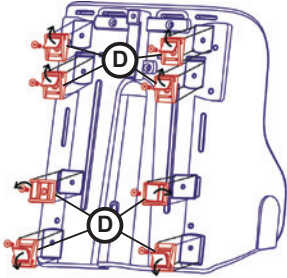
D) Angling the tray, by angling the arm rests.

 The tray can only be mounted on a Panda Futura equipped with arm rests.

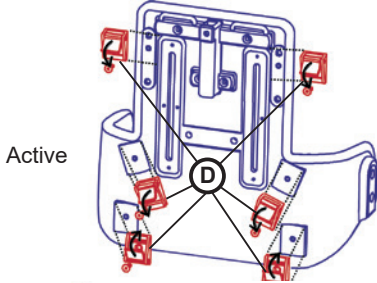
 When adjusting the arm rest, please be careful not to get fingers caught between the chair and the armrest.

 Do not carry the product by the armrests.

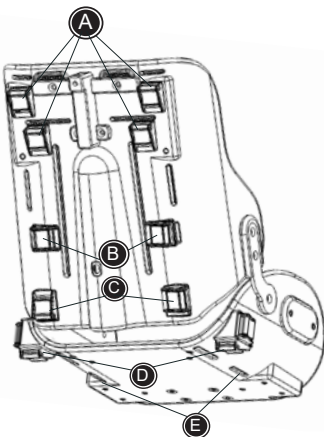
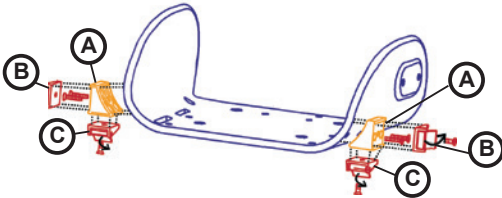




Standard



Active



## MOUNTING FIXLOCKS

Fixlocks can be installed on the Panda seat to easily and quickly fasten and adjust the strap tie-downs. The hip belts (85427-x), abduction belts (89112-x and 89108-x), 5-point belts (89665-x), chest harness (85428-x) and belt/cross vests (89625-x) can then be fastened quickly and in the correct position. An Allen key is required to install them.

### Mounting on the back:

- \* Six fixlocks (D) are attached to the backrest with Allen screws. The upper two fixlocks can also be set to a lower position so that the strap tie-downs can be guided through the cushions (after they have been cut).
- \* The belt/cross vest's strap tie-downs and the 5-point belt can then be guided through the slits and fastened with the fixlocks.

### Note:

The strap tie-downs may be shortened to the correct length after installation (please ensure the ends are edge-melted).

### Mounting on the seat:

- \* On each side of the seat one synthetic adapter block (A) is installed with two Allen screws.
- \* One fixlock (B) is installed on both sides of the seat with an Allen screw for the hip belts and the abduction belt (abduction model (89108).
- \* If the T-model abduction belt (89112) is installed, an additional fixlock (C) is added on both sides of the bottom. They are installed with an Allen screw (set B).
- \* If the 5-point belt is used, two additional fixlocks (C) are installed on the upper side of the backrest.

## VEST AND CROSS VEST

Mount the fixlocks in the back. See page 18.

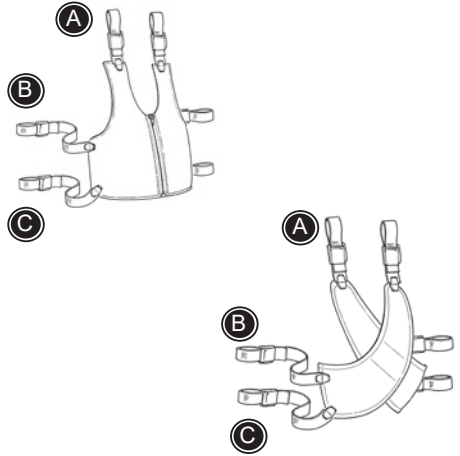
The vest and cross vest can be opened and closed by using the buckles and the zipper.

Follow the instructions below, with help from page 18.

- \* Mount the shoulder straps in the belt fittings on the upper back. (A)
- \* Mount the upper straps in the sides in the belt fittings on the back (B).
- \* Mount the lower straps in the sidest in the belt fittings on the lower back (C).



Take care that all the fixations and adjustments are placed and fitted correctly and check it on a regular basis.



## STERNUM BELT

Mount the fixlocks in the back. See page 18.

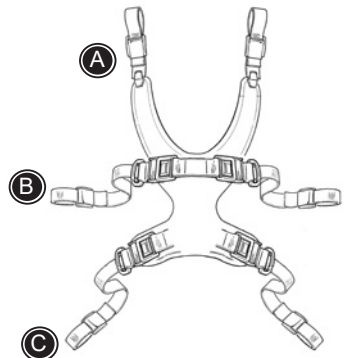
The sternum belt can be opened and closed by using the buckles.

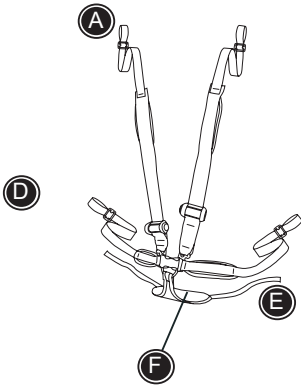
Follow the instructions below, with help from page 18.

- \* Mount the shoulder straps in the belt fittings on the upper back. (A)
- \* Mount the upper straps in the sides in the belt fittings on the back (B).
- \* Mount the lower straps in the sidest in the belt fittings on the lower back (C).



Take care that all the fixations and adjustments are placed and fitted correctly and check it on a regular basis.





## 5-POINT BELT

Mount the fixlocks in the back. See page 18.

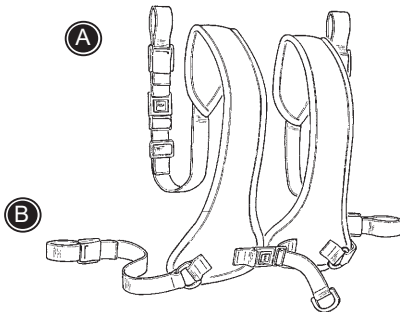
The 5-point belt can be opened and closed by using the buckles.

Follow the instructions below, with help from page 18.

- \* Mount the straps (E) in the belt fittings in the seat or in the belt fittings (D).
- \* Place the user in the chair, sitting on the "triangle" (F).
- \* The straps (D) in the sides are led through the slides in the seat and mounted in the belt fittings in the seat.
- \* The shoulder straps are mounted in the belt fittings on the upper back (A).



Take care that all the fixations and adjustments are placed and fitted correctly and check it on a regular basis.



## CHEST BELT

Mount the fixlocks in the back. See page 18.

The chest belt can be opened and closed by using the buckles.

Follow the instructions below, with help from page 18.

- \* Mount the shoulder straps in the belt fittings on the upper back. (A)
- \* Mount the straps in the sides in the belt fittings on the back (B).



Take care that all the fixations and adjustments are placed and fitted correctly and check it on a regular basis.

## HIP BELT

Mount the fixlocks in the seat. See page 18.

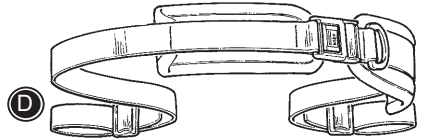
The hip belt can be opened and closed by using the buckles.

Follow the instructions below, with help from page 18.

\* Mount the straps in the belt fittings under the seat (D).



Take care that all the fixations and adjustments are placed and fitted correctly and check it on a regular basis.



## Y-HIP STRAP

Mount the fixlocks in the seat. See page 18.

The Y-hip strap can be opened and closed by using the buckles.

Follow the instructions below, with help from page 18.

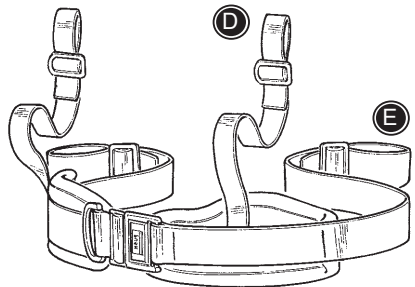
\* Mount the straps in the belt fittings under the seat (D).

\* Mount the straps (E) in the front slides in the seat.

E and D can be exchanged.



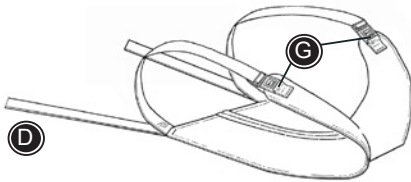
Take care that all the fixations and adjustments are placed and fitted correctly and check it on a regular basis.



## PELVIS HARNESS

Mount the fixlocks in the seat. See page 18.

Follow the instructions below, with help from page 18.



- \* Open the buckles (G).
- \* Mount the straps (D) in the belt fittings under the seat (D).
- \* Place the user on the harness and close the buckles (G) over the thighs.



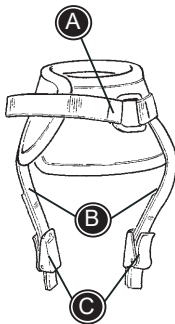
Take care that all the fixations and adjustments are placed and fitted correctly and check it on a regular basis.

## ANKLE STRAPS

The ankle straps can be opened and closed by using the velcro or the buckle (A).

Follow the instructions below for mounting.

- \* Remove the buckles (C).
- \* Pull the straps (B) through the slides in the foot plates.
- \* Mount the buckles (C) again and make sure the straps do not slide off.



Take care that all the fixations and adjustments are placed and fitted correctly and check it on a regular basis.

## FOOT STRAPS

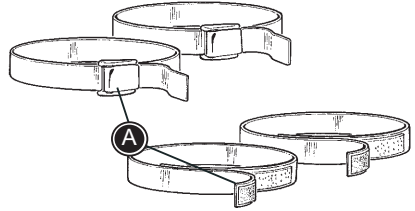
The foot straps can be opened and closed by using the velcro or the buckle (A).

Follow the instructions below for mounting.

- \* Open the straps and pull them (A) through the slides in the foot plates.
- \* Close the straps around the users foot.



Take care that all the fixations and adjustments are placed and fitted correctly and check it on a regular basis.



## HAND CUFF

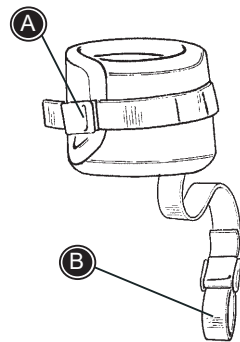
The hand cuff can be opened and closed by using the buckle (A).

Follow the instructions below for mounting.

- \* Mount the hand cuff around the users wrist.
- \* Mount the strap (B) around the arm rest bar.



Take care that all the fixations and adjustments are placed and fitted correctly and check it on a regular basis.





# R82<sup>®</sup>

by Etac

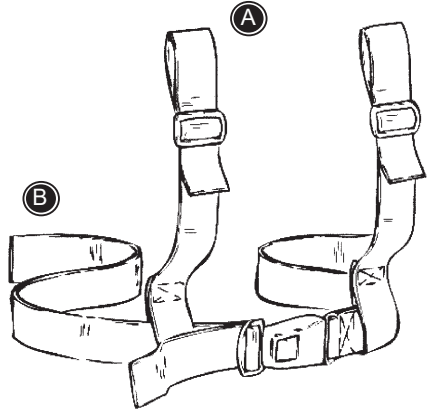
## H-BELT

Mount the fixlocks in the back. See page 18.

The H-belt can be opened and closed by using the buckle.

Follow the instructions below, with help from page 18.

- \* Mount the shoulder straps in the belt fittings on the upper back. (A)
- \* Mount the straps in the sides in the belt fittings on the back (B).



Take care that all the fixations and adjustments are placed and fitted correctly and check it on a regular basis.

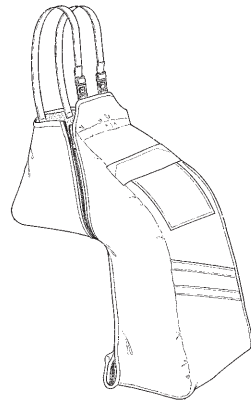
## THERMO BAG

- \* Place the thermo bag in the chair.
- \* Unzip the bag in the sides and place the user in it.
- \* Zip it again.

There is velcro slides in the sides of the bag, which make it possible also to use a hip belt.



Take care that all the fixations and adjustments are placed and fitted correctly and check it on a regular basis.



## RAIN CAPE WITH HOOD

The raincape goes over the back of the seat. Around the users body and under the footrest. In this way it also covers the chair.



Take care that all the fixations and adjustments are placed and fitted correctly and check it on a regular basis.



**Etac Ltd.**

Unit 60, Hartlebury Trading Estate,  
Hartlebury, Kidderminster,  
Worcestershire, DY10 4JB  
+44 121 561 2222



**Gelbart AG**

Tribschenstraße 64  
CH-6005 Luzern  
+41 41 367 70 17



**R82 A/S**

Parallelvej 3

DK-8751 Gedved



+45 796 858 88



R82@etac.com



www.etac.com

