

**ORMESA®**  
• MADE IN ITALY SINCE 1980 •

**STANDY**



# STANDY<sup>®</sup>

## A smart stander for your well-being.

**Standy by Ormesa is a standing frame for adults and teens** with various levels of ability and autonomy, and it is able to ensure an excellent verticalization.

**Safe, versatile, easy to adjust:** it provides **stability and comfort in every situation**, thanks to a set of accessories designed to meet the particular needs of each user.

PRODUCT  
MARKED 

STANDY is a MEDICAL DEVICE that COMPLIES WITH THE SAFETY REQUIREMENTS defined with the REGULATION (EU) 2017/745

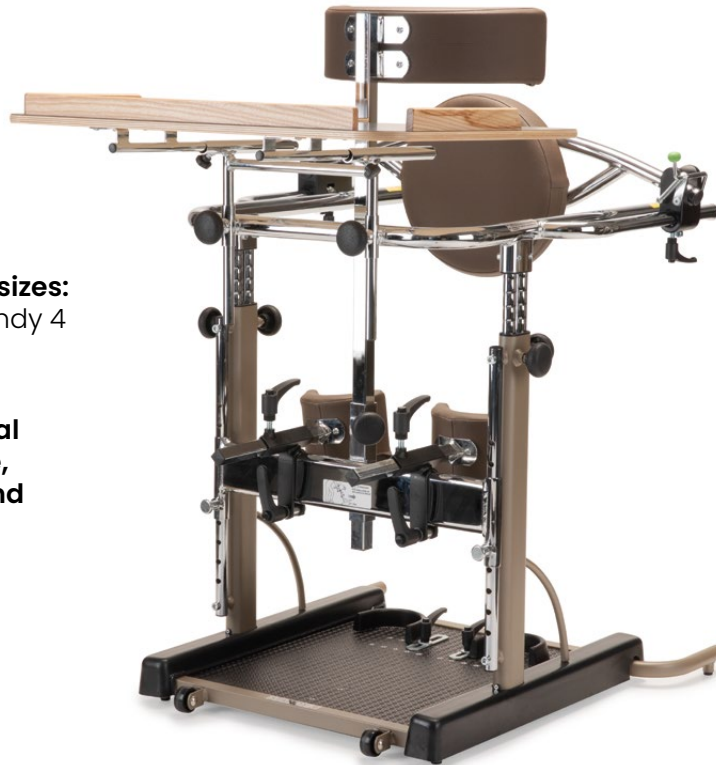


# Ergonomic

## Innovative and functional design

**Standy is available in two sizes:**  
Standy 3 for teens and Standy 4 for adults.

The use of **Standy**  
**facilitates the physiological**  
**verticalization of the spine,**  
**improving head control and**  
**horizontal gaze.**



STANDY 3



STANDY 4

# Designed to improve your daily life

The use of **Standy**, in addition to the benefits concerning the functionality of the osteoarticular system and the maintenance of muscle elasticity, **facilitates the use of the upper limbs** thanks to the containment secured by the supports to the knees, pelvis and trunk.

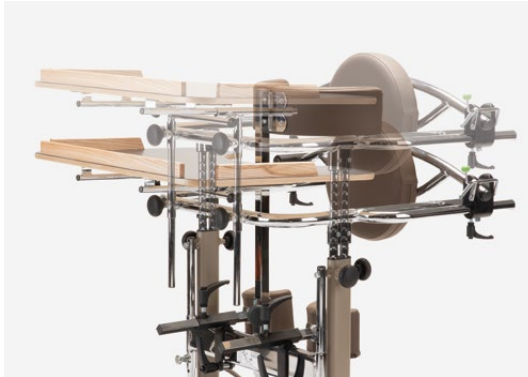
These features help to improve hand function and play an **essential role** in the implementation of **reaching skills**, making the Standy a **fundamental ally for the improvement of the upper limbs** function in everyday life.





INSTRUCCIONES DE USO  
- Ajustar el respaldo y el reposabrazos de acuerdo a las instrucciones de uso.  
- ATENCIÓN! Leer y comprender las instrucciones de uso y mantenimiento.

# Technical features and adjustments



## Frame

no edge frame, in order to enable trunk rotation and side-arm motion. Height adjustable frame with “safety locking system”.



## Tools free

adjustment without tools but with special knobs, designed by Ormesa, with effective and safe grip. The knobs effectively maintain tightening thanks to an internal mechanism that does not mark and ruin the tube.



## Padded thoracic support

adjustable in height.



## Tray

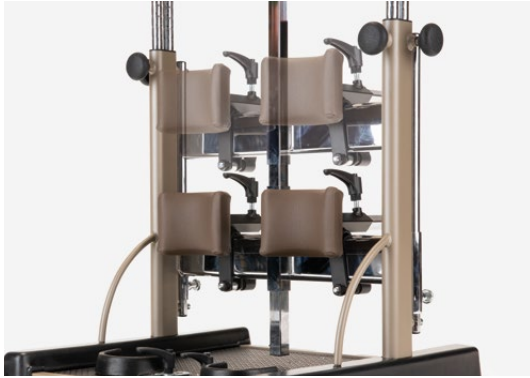
removable and adjustable in height and depth.



## Padded back support

adjustable in depth with safety lock.





## Padded knee pads

adjustable in width, depth and height.



## Heel stops

adjustable in width and depth.



## Anti-slip footrest

with wheels for moving without user.



# Components



**865 Headrest**  
adjustable in height, tilt, back and forwards.



**857 Side support for the pelvis**



**945 Handle to open the back support**



**861 4 wheel set with brake**



**902 Front footrests with straps**

# Standy sizes and weight

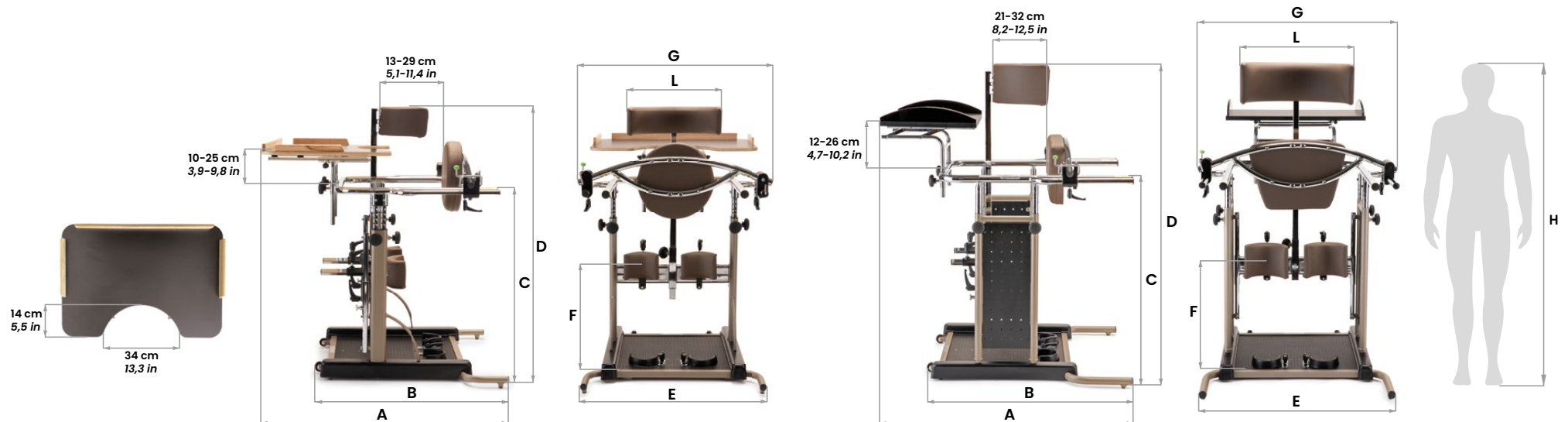
- A: length encumbrance
- B: base length encumbrance
- C: footrest to back support height
- D: footrest to thoracic support height
- E: base width encumbrance
- F: footrest to knee pads height
- G: width encumbrance
- L: thoracic support width
- H: user height
- Total weight
- Maximum load

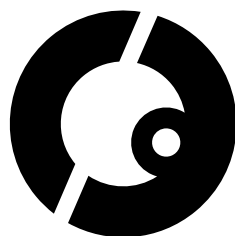
## standy 3

89 cm ~ 35 in  
 76 cm ~ 29,2 in  
 from 63 to 93 cm ~ from 24,8 to 36,6 in  
 from 81 to 121 cm ~ from 31,8 to 47,6 in  
 69 cm ~ 27,1 in  
 from 24 to 49 cm ~ from 9,4 to 19,2 in  
 74 cm ~ 29,1 in  
 30 cm ~ 11,8 in  
 from 110 to 160 cm ~ from 43,3 to 62,9 in  
 30 kg ~ 66,1 lb  
 90 kg ~ 198,4 lb

## standy 4

100 cm ~ 39,3 in  
 85 cm ~ 33,4 in  
 from 72 to 106 cm ~ from 28,3 to 41,7 in  
 from 84 to 129 cm ~ from 33 to 50,7 in  
 79 cm ~ 31,1 in  
 from 30 to 57 cm ~ from 11,8 to 22,4 in  
 80 cm ~ 31,4 in  
 39 cm ~ 15,3 in  
 from 135 to 180 cm ~ from 53,1 to 70,8 in  
 38 kg ~ 83,7 lb  
 120 kg ~ 264,5 lb





 complies with MDR (EU) 2017/745

COMPANY WITH  
QUALITY SYSTEM  
CERTIFIED BY DNV GL  
= ISO 13485 =

---

**Ormesa srl** - Via delle Industrie 6/8 | 06034 Foligno (PG) - ITALY  
Tel. +39 0742 22927 | FAX +39 0742 22637 | [info@ormesa.com](mailto:info@ormesa.com)

**[www.ormesa.com](http://www.ormesa.com)**