

JAY[®]

ZIP BACK

JAY[®] Zip Back

IMPORTANT CONSUMER INFORMATION

NOTICE: This manual contains important instructions that must be passed on to the user of this product. Please do not remove this manual before delivery to the end user.

SUPPLIER: This manual must be given to the user of this product.

USER: Before using this product, read this entire manual and save for future reference.

WARRANTY REGISTRATION: To validate the warranty on this product, please complete and return the postcard attached to the enclosed instruction and warranty booklet.

Owner's Manual

Respaldo JAY[®] Zip

INFORMACIÓN IMPORTANTE PARA EL CONSUMIDOR

AVISO: Este manual contiene instrucciones importantes que deben ser entregadas al usuario de este producto. Por favor no retire este manual antes de la entrega al usuario.

DISTRIBUIDOR: Este manual debe ser entregado al usuario de este producto.

USUARIO: Antes de usar este producto, lea este manual en su totalidad y guárdelo para futura referencia.

REGISTRO DE LA GARANTÍA: Para validar la garantía de este producto, favor de llenar y devolver la tarjeta que se adjunta en el folleto de instrucciones y garantía que se incluye.

Manual de instrucciones

Dossier JAY[®] Zip

INFORMATIONS IMPORTANTES DESTINÉES AU CONSOMMATEUR

AVIS : Ce manuel contient des instructions importantes qui doivent être communiquées à l'utilisateur de ce produit. Prière de ne pas le retirer avant livraison.

FOURNISSEUR : Ce manuel doit être remis à l'utilisateur de ce produit.

UTILISATEUR : Avant d'utiliser ce produit, lisez entièrement ce manuel et conservez-le pour référence ultérieure.

ENREGISTREMENT DE LA GARANTIE : pour valider la garantie sur ce produit, merci de compléter et de retourner la carte attachée au guide d'instruction et de garantie.

Manuel d'instructions



ENGLISH

Introduction	3
Maintenance and Cleaning	4
Fitting the Back to the Chair.....	5
Installation	6
Adjustment.....	7
Transit Safety	8
Removal and Replacement.....	9
Warranty	9

ESPAÑOL

Introducción	10
Mantenimiento y Limpieza.....	11
Colocación del Respaldo en la Silla.....	12
Instalacion.....	13
Adjuste	14
Seguridad en Transito.....	15
Retirada y Nueva Colocación.....	16
Garantia.....	16

FRANÇAIS

Introduction	17
Entretien et nettoyage	18
Montage du dossier sur le fauteil.....	19
Montage	20
Reglage	21
Sécurité à l'arrière d'un véhicule.....	22
Depose et remise en place	23
Garantie.....	23

Sunrise Medical recommends that a clinician such as a doctor or therapist experienced in seating and positioning be consulted to determine if a Zip Back is appropriate. Backs should only be installed by an authorized Sunrise Medical supplier.

THE JAY ZIP BACK

The JAY Zip Back is designed to provide the important benefits of a proper back support for a wide variety of pediatric users. It is designed to provide simple, comfortable and effective support to help maximize function and increase sitting tolerance. In addition, it is light-weight, durable and easy to use.

Maximum user weight: 165 lbs

⚠️ WARNING

Installing a back support on a wheelchair may affect the center of gravity of the wheelchair and may cause the wheelchair to tip backwards potentially resulting in injury.

Always assess for the potential need for anti-tippers or amputee axle adapter brackets to be added to the wheelchair to help increase stability.

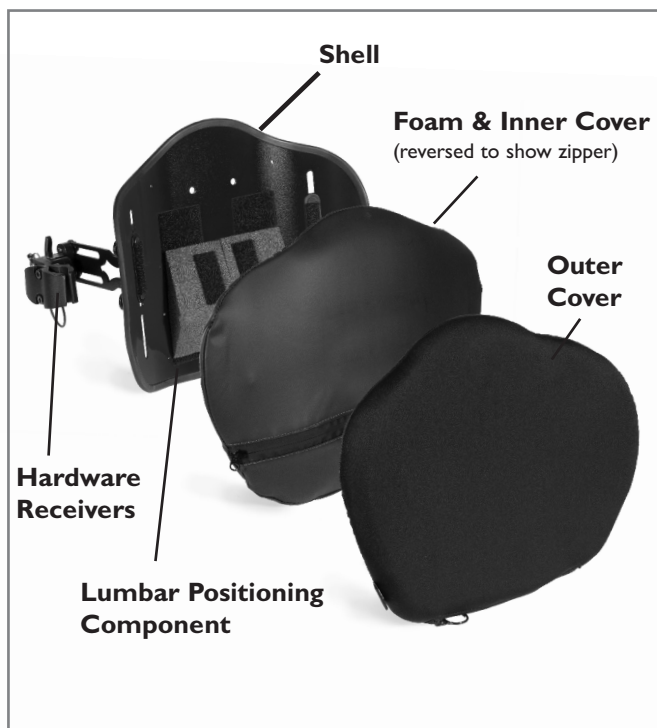
⚠️ WARNING

Do not use the back to push or lift wheelchair. Improper use may cause the back to unexpectedly detach from the wheelchair.

⚠️ WARNING

Do not use the back handle to lift wheelchair. It is intended only for back removal.

ZIP BACK



MAINTENANCE

Sunrise recommends that all fasteners be checked for wear, such as loose bolts or broken components every 6 months. Loose fasteners should be retightened according to the installation instructions. All fasteners should be tightened to torque specifications as stated in the hardware installation section. Contact your authorized Sunrise Medical supplier immediately to replace any broken components. Do not continue to use the system after identifying loose or broken components.

NOTE- Wrench has been included with the back for your convenience.

EASY CLEANING

NOTE- When disassembling the back for cleaning, note the position of the Velcro® Lumbar Positioning Components for correct reassembly.

To clean back cover

Remove cover by detaching Velcro. Detach cover from back shell. Locate zipper on bottom of the cover and unzip. Remove foam with inner cover and turn cover inside out. Zip cover closed to avoid snagging. Machine wash in warm water (50°C). Drip or tumble dry on low heat.

NOTE: Do not dry clean covers or use industrial washers and dryers to clean cover. Do not steam autoclave. Do not bleach.

Reinsert the foam with inner cover into the cover. Please note, the base has two layers of foam. When reinserting the foam, ensure that the thinner, firmer, light grey foam is facing the shell and the softer foam is facing the user. Once the foam is secured inside the cover, zip cover closed.






To clean back shell and Inner Cover

Shell and inner cover may be wiped clean with soap and water. No other maintenance should be required.

To clean positioning components

Positioning components can be wiped clean with soap and water. Do not immerse positioning components underwater.

If you have any additional questions regarding cleaning procedures, please contact your authorized Sunrise Medical dealer.

Laundry Care Symbols	
	Machine wash in warm water (50° C)
	Only non-chlorine bleach, when needed
	Drip dry
	Do not iron
	Do not dry clean

DETERMINING COMPATIBILITY

Wheelchair Types

The Zip Back is designed to be compatible with most wheelchairs with the following exceptions:

Wheelchairs that are angularly adjustable, recline or tilt and result in a back angle greater than 60 degrees from the vertical should not be used.

⚠ WARNING

Use with these types of wheelchairs may cause the back to accidentally disconnect from the wheelchair resulting in a fall and the potential for serious injury.

Wheelchair Dimensions

The JAY Zip back is designed to replace the wheelchair's sling upholstery. Prior to installation determine if the wheelchair used has compatible back canes, by measuring the width between your back canes as seen in Figure 1. Then using that measurement, check Table 1 to determine if the back will fit your chair.

Next check that the back canes are a compatible diameter. The JAY back hardware can be mounted on wheelchair backcanes ranging from 3/4" to 1 1/8". Measure your back canediameter (Fig. 2) and refer to Table 2 to ensure your backcanes are compatible.

If you cannot determine that the back canes are compatible please contact your authorized Sunrise Medical provider or Sunrise Medical customer service.

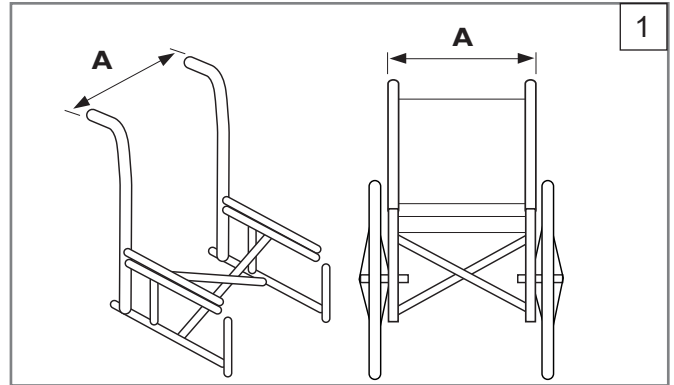
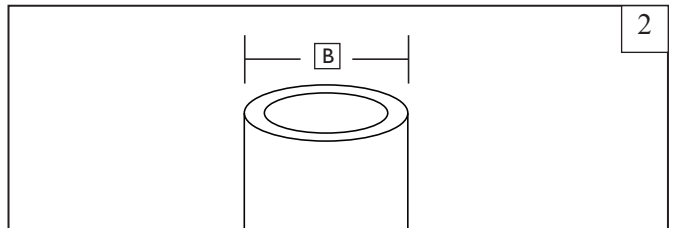


Table 1

Zip Back Width* (all contours)	Width of back canes from outside to outside of the tubes (Fig. 1-A)			
	Minimum width		Maximum width	
	inch	cm	inch	cm
8"	7.7	19.6	9.3	23.6
10"	9.7	24.6	11.3	28.7
12"	11.7	29.7	14.3	36.3
14"	13.7	34.9	16.3	41.3

* Back Width is identified in your back's part number.
Example: JZIPB10S is a 10" wide back.



Back Width (all contours)	Cane diameter (B)			
	Minimum width		Maximum width	
	inch	cm	inch	cm
8" - 14"	3/4	1.9	1 1/8	2.85

A. JAY (RH) HARDWARE

Please read the following instructions before beginning the installation. To install the Zip back, with RH hardware, it is best to begin without a user in the wheelchair. Once the back has been installed the user can be seated back in the wheelchair for minor adjustments.

1. Tools required (included with the JAY Zip back):

- 4mm hex key
- 10mm box end wrench

B. BACK HARDWARE INSTALLATION 3 4 5 6

1. Remove existing back components

- Remove the existing wheelchair back according to the wheelchair manufacturer's instructions.
- Remove any pre-existing back hardware or components.

2. Locating the hardware receivers

- The backshell should come with mounting brackets (A) attached.
- Visually determine the optimum clamp receiver location (B) on the back canes. The mounting hardware should be at approximately equal heights on each back post (Fig. 3), and parallel to the seat frame (Fig. 4).

NOTE—A higher location on the back canes are generally better.

3. Attaching the Hardware receivers

- Using the 4mm hex key, Loosen the clamp screws (Fig. 5) (C)

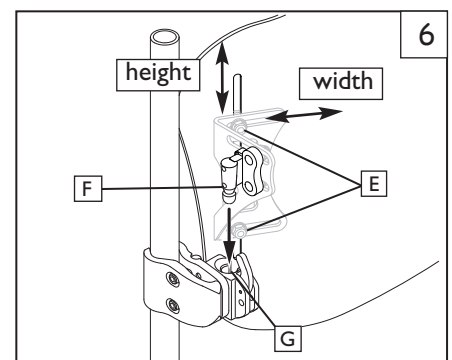
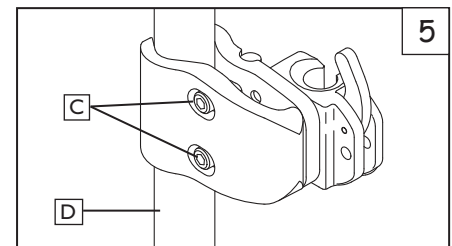
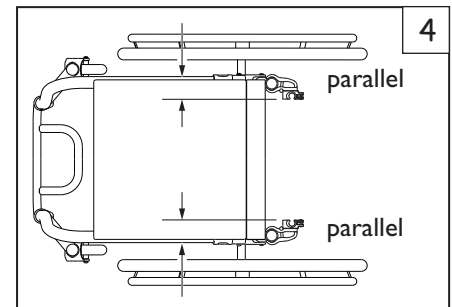
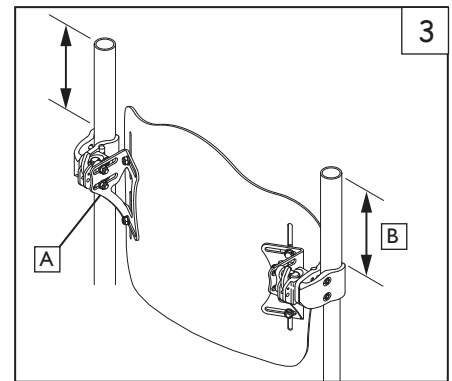
NOTE—For Large tube diameters, the clamp screws may have to be removed completely.

- Attach and align the receiver to the wheelchair back canes (D).
- Hand tighten the clamp screws (C).
- The receivers may require additional lateral adjustments to ensure proper alignment.

4. Attaching and aligning the Zip Back shell.

- Using a 10mm wrench, loosen the bracket nuts (E), and mounting pin bolts (H) until the hardware can move easily in all directions.
- Attach the Zip Back to the hardware receivers by inserting left and right mounting pins (F) in the left and right receivers (G).
- Locate the back to the approximate location, relative to both the chair and the user.
- Tighten bolts on the inside of the mounting pin (F). The recommended torque specification is 100-110 in/lbs. (11.3-12.4 Nm)
- Once all components have been properly aligned, tighten the clamp screws (C) to approximately 75-85 in-lbs (8.5-9.3 Nm).
- Finish by inserting the locking pin into the receiver, and releasing a few times to ensure smooth operation.

NOTE—Back depth and angle may require additional adjustment to ensure proper fit to the user.



C. ADJUSTING HEIGHT, DEPTH, AND ANGLE 7

Once the initial installation is complete, adjustments can be made with the user seated in the chair for a personalized fit. Make sure that the user does not apply full to the back until the hardware has been fully tightened to the specified torque requirements.

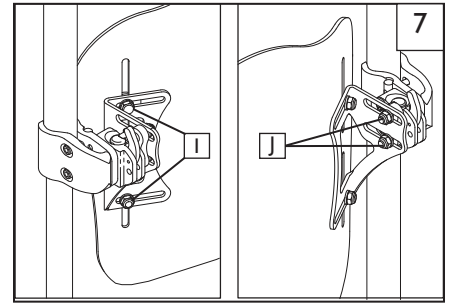
1. Height adjustment

- a. With the user seated in the chair, identify the correct height for the back.
- b. Have the user slide forward slightly, and using a 10mm wrench loosen the nuts (I).
- c. Move back to the correct height, and tighten the nuts to 75-85 in-lbs, or (8.5-9.3 Nm)

2. Depth and angle adjustment

Once the initial installation is complete, adjustments can be made with the user seated in the chair for a personalized fit. Hardware allows for 2 inches of anterior depth adjustment, 2.75 inches with reversing right and left mounting pins.

- a. Using a 10mm wrench, loosen the left and right hex screws (J) on the bracket slots.
- b. Adjust the depth and/or angle settings and securely tighten the screws to lock in the adjustment. Recommended torque specification is 100-110 in-lbs or (11.3 -12.4 Nm).
- c. If additional depth is needed, remove the J3 back from the receivers. Remove the screws(K) from the receiver using a 4mm hex key and reposition the hardware to the desired depth.
- d. After adjusting to the correct depth, tighten the screws to 25-35 in-lbs (2.8 - 4 Nm).



E. CHECK OUT

WARNING

Ensure that all hardware has been properly tightened according to suggested specifications.

- a. Make sure the Back Support is locked, and the locking pin is inserted into the receiver.
- b. Check that the Back Support can be attached smoothly and securely, by attaching and removing the assembly several times.
- c. Double check fit and comfort for the user before putting the Back Support into use.
- d. Failure to follow this check out procedure could result in injury and/or damage to your Back Support and/or components.

BACK TRANSIT SAFETY

This back has been dynamically tested for use in a motor vehicle. Please follow all installation, use and maintenance instructions within this manual as well as the transit instructions listed below.

WARNINGS

1. If possible and feasible, the rider should transfer to the Original Equipment Manufacturer vehicle seat and use the vehicle restraints.
2. The distance between the top of the user's shoulder and the top of the back shell should not exceed 3" (7.6 cm).
3. The wheelchair must be labeled as appropriate for use as a seat in a motor vehicle, dynamically tested to the performance requirements of ISO Standard 7176-19 and installed, used and maintained according to the manufacturer's instructions.
4. If the original wheelchair seat was replaced, the new seat must be approved for wheelchair transit, installed and used as indicated in the manufacturer's instructions.
5. The Wheelchair Tiedown and Occupant Restraint System (WTORS) should be compatible with the specific wheelchair, used as indicated in the manufacturer's instructions and should comply with the performance requirements of ISO Standard 10542.
6. The wheelchair must be forward facing during transport.
7. In order to reduce the potential of injury to vehicle occupants wheelchair-mounted accessories such as trays and respiratory equipment should be removed and secured separately.
8. This product is intended for use by users ranging in weight from 25 to 165 lbs.
9. Postural support devices such as pelvic positioning belts, anterior trunk supports or postural supports such as lateral trunk supports should not be relied on for occupant restraint in a moving vehicle unless they are labeled as conforming to ISO Standard 16840-4.
10. Alterations or substitutions should not be made to the structure, parts or components, without consulting the manufacturer.

WARNING

**FAILURE TO HEED THESE WARNINGS
COULD CAUSE SEVERE INJURY TO THE
WHEELCHAIR RIDER OR OTHERS.**

REMOVAL AND REPLACEMENT

Removal

Following installation and adjustment, the back can be easily removed from the wheelchair if necessary. To remove, pull down on back handle, rotate up, then remove from the hardware receivers.

Proper reattachment after removal

To reattach the back to the hardware receivers, pull down on cord, insert back into receivers, and rotate down.

WARNING

If you are uncertain if you have heard the locking “click”, pull up on the back to ensure that it has been securely locked.

WARRANTY

24 MONTH LIMITED WARRANTY

Each JAY Zip Back is carefully inspected and tested to provide peak performance. Every JAY Zip Back is guaranteed to be free from defects in materials and workmanship for a period of 24 months from the date of purchase, provided normal use. Should a defect in materials or workmanship occur within 24 months from the original date of purchase, Sunrise Medical will, at its option, repair or replace it without charge. This warranty does not apply to punctures, tears or burns, nor to the back's removable cover.

Claims and repairs should be processed through the nearest authorized supplier. Except for express warranties made herein, all other warranties, including implied warranties of merchantability and warranties of fitness for a particular purpose are excluded. There are not warranties which extend beyond the description on the face hereof. Remedies for breach of express warranties herein are limited to repair or replacement of the goods. In no event shall damages for breach of any warranty include any consequential damages or exceed the cost of non-conforming goods sold.

Sunrise Medical recomienda consultar con un médico o un terapeuta experimentado en posicionamiento para determinar si es apropiada la utilización del respaldo JAY Zip. Los respaldos sólo deben ser instalados por un proveedor autorizado de Sunrise Medical.

RESPALDO DE JAY ZIP

El Respaldo de JAY Zip está diseñado para proporcionar, un apoyo apropiado para la espalda a una gran variedad de usuarios pediátrico. Está diseñado para proporcionar un apoyo simple, cómodo y efectivo para ayudar a maximizar su funcionalidad e incrementar la tolerancia a la silla. Además, es ligero, duradero y fácil de utilizar.

Peso máximo del usuario: 165 lbs (75 kgs)

⚠️ ADVERTENCIA

Instalar un soporte para la espalda en una silla de ruedas puede afectar al centro de gravedad de la misma y puede provocar que la silla de ruedas se vuelque hacia atrás, provocando posibles lesiones.

Evalúe siempre la necesidad de instalar en la silla de ruedas tubos antivuelcos o abrazaderas adaptadoras del eje para amputados para ayudar a aumentar la estabilidad.

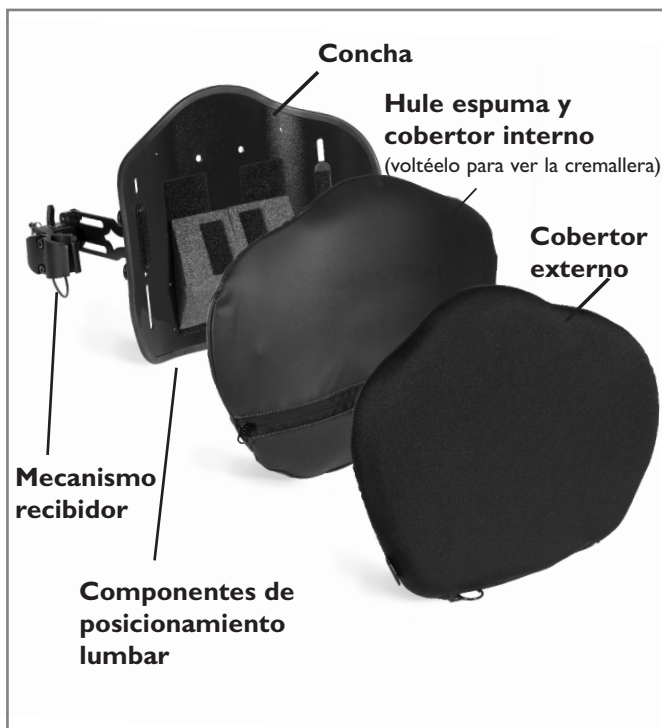
⚠️ ADVERTENCIA

No utilice el respaldo para empujar o levantar la silla de ruedas. El uso inapropiado puede provocar que el respaldo se desprenda inesperadamente de la silla de ruedas.

⚠️ ADVERTENCIA

No utilice la empuñadura del respaldo para levantar la silla de ruedas. Esta empuñadura sólo está diseñada para la extracción del respaldo.

RESPALDO DE JAY ZIP



ESPECIFICACIONES DE MANTENIMIENTO Y AJUSTE DE LAS FIJACIONES

Sunrise recomienda que todas las fijaciones sean comprobadas por si están desgastadas y para comprobar si hay, por ejemplo, pernos sueltos o componentes rotos, cada 6 meses. Las fijaciones sueltas deben volver a apretarse de acuerdo con las instrucciones de instalación. Todas las abrazaderas deben ajustarse de acuerdo con las especificaciones de ajuste, según lo estipulado en la sección de instalación del sistema de fijaciones. Póngase en contacto con su proveedor autorizado de Sunrise Medical inmediatamente para sustituir cualquier componente roto. No continúe utilizando el sistema después de identificar componentes sueltos o rotos.

NOTA- Las llaves han sido incluidas para su conveniencia.

FÁCIL DE LIMPIAR

NOTE- Al desmontar el respaldo para realizar la limpieza, fíjese bien en la posición de los Velcros de los componentes de posicionamiento lumbar para montarlos correctamente después.

Para limpiar la funda del respaldo

Retire la funda despegando el Velcro. Separe la funda de la estructura del respaldo. Localice el cierre de la parte inferior de la funda y ábralo. Retire el hule espuma con el cobertor interno y ponga la funda al revés. Cierre la cremallera de la funda y evite que se enganche. Lave a máquina con agua templada (50°C). Seque al natural o a máquina a baja temperatura.

NOTA: No limpie las fundas en tintorería ni use lavadoras y secadoras industriales. No las meta en autolavado de vapor. No use cloro.

Vuelva a colocar el hule espuma con el cobertor interno dentro del cobertor externo. Tenga en cuenta que la base contiene dos capas de espuma. Al volver a colocar el hule espuma asegúrese que la parte más delgada, firme y ligera de color gris, esta colocada hacia la concha y la parte más suave este hacia el usuario. Una vez que la espuma esté perfectamente colocada dentro de la funda, cierre la cremallera para finalizar.



Para limpiar la estructura del respaldo y el cobertor interno

La estructura y el cobertor interno se puede limpiar mediante un paño humedecido con agua y jabón. No se requiere ningún otro mantenimiento.

Para limpiar los componentes de posicionamiento

Los componentes de posicionamiento pueden limpiarse con agua y jabón. No sumerja los componentes de posicionamiento en agua.

Si tiene dudas acerca del procedimiento de limpieza, comuníquese con un representante autorizado de Sunrise Medical.

Símbolos para el cuidado en el lavado	
	Lavar a máquina en agua tibia (50° C)
	Utilizar sólo lejía sin cloro, en casos necesarios
	Secar al natural
	No planchar
	No lavar en seco

COMPATIBILIDAD

Tipos de sillas de ruedas

El Respaldo Zip está diseñado para ser compatible con la mayoría de las sillas de ruedas con las siguientes excepciones:

No deben utilizarse sillas de ruedas que sean ajustables angularmente, reclinables o basculantes, y que lleguen a un ángulo mayor de 60 grados.

ADVERTENCIA

Utilizar estos tipos de silla de ruedas puede hacer que el respaldo se suelte accidentalmente de la silla de ruedas, provocando una caída y una posible lesión.

Dimensiones de la silla de ruedas

El Respaldo Zip está diseñado para sustituir la tapicería de la parte posterior de la silla de ruedas. Antes de la instalación determine si la silla de ruedas utilizada tiene tubos posteriores compatibles, midiendo la anchura entre ambos tubos, como se ve en la Figura 1. Luego, con esa medida, consulte la Tabla 1 que aparece a continuación para ver si los tubos posteriores son de la anchura correcta.

A continuación, compruebe que los bastones de respaldo son de un diámetro compatible. El hardware de la parte posterior del JAY se puede montar en los bastones de la silla de ruedas que se extienden de 3/4 " a 1 1/8 ". Mida el diámetro de la caña de la espalda (Fig. 2) y consulte la tabla 2 para asegurarse de que los bastones de respaldo sean compatibles.

Si no puede determinar que los tubos posteriores sean compatibles, póngase en contacto con su proveedor autorizado de Sunrise Medical o con el servicio de atención al cliente de Sunrise Medical.

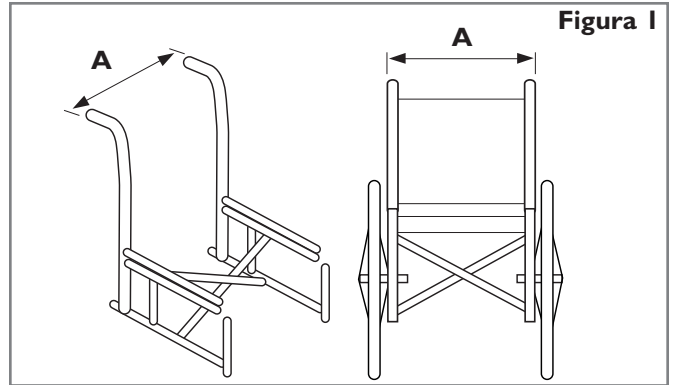


Tabla 1

Anchura del respaldo Zip* (todos los contornos)	Anchura de los tubos posteriores medidos desde las caras externas de los tubos (Fig. 1-A)			
	Anchura mínima		Anchura máxima	
	pulg.	cm	pulg.	cm
8"	7.7	19.6	9.3	23.6
10"	9.7	24.6	11.3	28.7
12"	11.7	29.7	14.3	36.3
14"	13.7	34.9	16.3	41.3

* La anchura del respaldo está identificada en el número de serie del respaldo. Ejemplo: JZIPB10S es un respaldo de 10" de ancho.

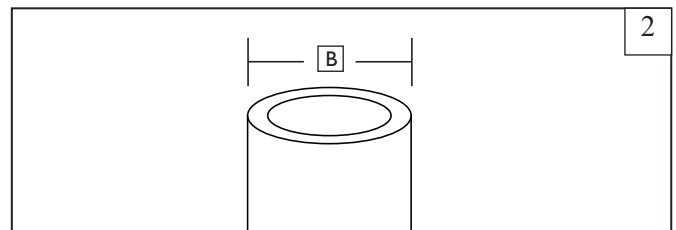


TABLA 2 Amplitud del respaldo J3 (todos los contornos)	Cane diámetro (B)			
	Espacio mínimo		Espacio máximo	
	inch	cm	inch	cm
8" - 14"	3/4	1.9	1 1/8	2.85

A. PIEZAS DEL RESPALDO ZIP Back (RH)

Lea las siguientes instrucciones antes de comenzar la instalación. Para instalar el Respaldo J3 con piezas de 2 puntos, es mejor comenzar cuando el usuario no esté en la silla de ruedas. Una vez que se ha instalado el respaldo, el usuario puede sentarse y recargarse en la silla para hacer ajustes menores.

I. Herramientas necesarias (incluidas con el respaldo JAY Zip back):

- a. Llave hexagonal de 4 mm
- b. Llave de corona de 10 mm

B. . INSTALACIÓN DE LAS PIEZAS DEL RESPALDO 3 4 5 6 7

1. Retire los componentes del respaldo existentes

- a. Retire el respaldo existente de la silla de ruedas, según las instrucciones del fabricante de la silla.
- b. Retire cualquier pieza o componente preexistente del respaldo.

2. Ubique los receptáculos de las piezas

- a. El armazón debe venir con las abrazaderas de montaje (A) fijas.
- b. Visualmente determine la ubicación óptima de los receptáculos de las abrazaderas (B) en los bastones del respaldo. Las piezas montadas deben estar aproximadamente a la misma altura en ambos postes del respaldo (Fig. 3) y paralelos al armazón del asiento (Fig. 4)

NOTA – Generalmente es mejor una ubicación más alta en los bastones del respaldo.

3. Fije los receptáculos de las piezas

- a. Utilizando la llave hexagonal de 4mm, afloje los tornillos de las abrazaderas (Fig.5) (C).

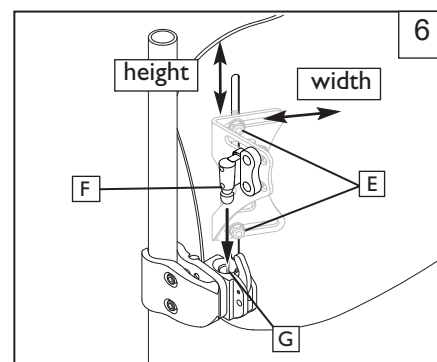
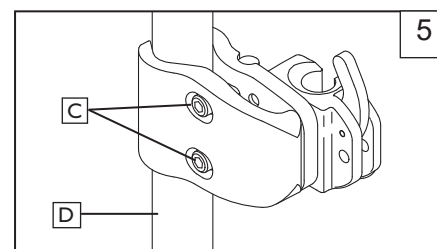
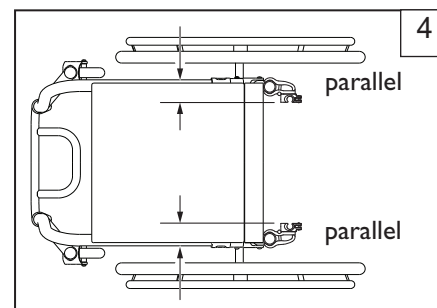
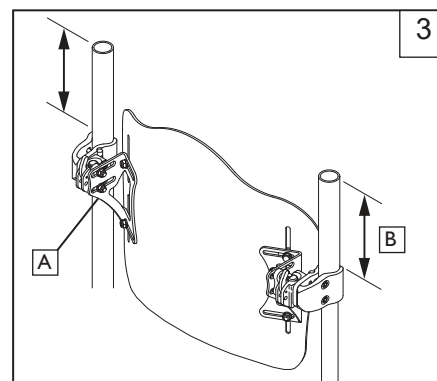
NOTA – Para los tubos de diámetro amplio, es posible que los tornillos de las abrazaderas se tengan que retirar completamente.

- b. Fije y alinee el receptáculo a los bastones del respaldo de la silla de ruedas (D).
- c. Apriete a mano los tornillos de la abrazadera (C).
- d. Los receptáculos pueden necesitar ajustes laterales adicionales para asegurar que tengan una alineación adecuada.

4. Fijar y alinear el armazón del Respaldo ZIP Back

- a. Con una llave de 10mm, afloje las tuercas de la abrazadera (E) y los pernos de los pasadores de montaje (H) hasta que las piezas se puedan mover fácilmente en cualquier dirección.
- b. Fije el Respaldo ZIP back a los receptáculos de las piezas insertando los pasadores de montaje derecho e izquierdo (F) en los receptáculos izquierdo y derecho (G).
- c. Coloque el respaldo en la posición aproximada, en relación a la silla y al usuario.
- d. Apriete los pernos de la parte interior del pasador de montaje (F). El parámetro recomendado de tensión es de 100-110 pulg-libras. (11.3-12.4 Nm).
- e. Una vez que todos los componentes se hayan alineado adecuadamente, apriete los tornillos de las abrazaderas (C) a aproximadamente 75-85 pulg-libras (8.5-9.3 Nm).
- f. Termine insertando el perno de bloqueo en el receptáculo, y libérelo algunas veces para asegurarse de que opere sin fallas.

NOTA – La profundidad y el ángulo del respaldo pueden necesitar ajustes adicionales para asegurar que sean adecuados para el usuario.



C. AJUSTANDO LA ALTURA, LA PROFUNDIDAD Y EL ÁNGULO DE 7

Una vez que esté completa la instalación inicial, se pueden realizar ajustes mientras el usuario está sentado en la silla para personalizar el ajuste. Asegúrese de que el usuario no se recargue completamente en el respaldo hasta que todas las piezas se hayan apretado con las especificaciones de tensión requeridas.

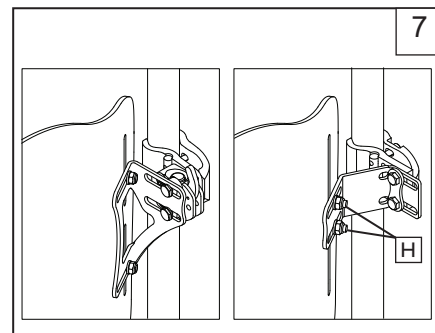
1. Ajuste de la altura

- a. Mientras el usuario está sentado en la silla, identifique la altura correcta del respaldo.
- b. Indíquelo al usuario que se deslice un poco hacia adelante, y utilizando una llave de 10mm afloje las tuercas (I).
- c. Mueva el respaldo hasta la altura correcta y apriete las tuercas a 75-85 pulg-libras, o (8.5-9.3 Nm).

2. Ajuste de la profundidad y del ángulo

Una vez finalizada la instalación inicial, se pueden realizar ajustes con el usuario sentado en la silla para un ajuste personalizado. rdware permite 2 pulgadas de ajuste anterior de la profundidad, 2,75 pulgadas con la inversión de los pernos de montaje derecho e izquierdo.

- a. Utilizando una llave de 10mm, afloje los tornillos hexagonales derecho e izquierdo (J) de las ranuras de la abrazadera.
- b. Ajuste la profundidad y/o la configuración del ángulo y luego apriete bien los tornillos para que se bloqueen con el nuevo ajuste. El parámetro recomendado de tensión es de 100-110 pulg-libras (11.3-12.4 Nm).
- c. Si necesita más profundidad, retire el respaldo J3 de los receptáculos. Retire los tornillos (K) del receptáculo utilizando una llave hexagonal de 4mm y vuelva a posicionar las piezas con la profundidad deseada. Las piezas estándar (K) tienen 2 parámetros de profundidad, las piezas extendidas (ajustables) (L) tienen 4 configuraciones de profundidad.
- d. Después de ajustar a la profundidad deseada, apriete los tornillos a (2.8 - 4 Nm).



D. REVISIÓN

ADVERTENCIA

Asegúrese de que todas las piezas se hayan apretado adecuadamente de acuerdo con las especificaciones sugeridas.

- a. Asegúrese de que el soporte del respaldo esté bloqueado, y que el pasador de bloqueo se haya insertado al receptáculo.
- b. Verifique que el soporte del respaldo pueda fijarse sencillamente y de manera segura, fijando y retirando el ensamble varias veces.
- c. Verifique que el respaldo tenga el ajuste y confort adecuado para el usuario antes de comenzar a utilizarlo.
- d. Si no sigue este procedimiento de revisión, podría ocasionar una lesión al usuario y/o daños al soporte del respaldo y/u otros componentes.

SEGURIDAD EN TRÁNSITO DEL RESPALDO

Este respaldo ha sido dinámicamente probado para su utilización en un vehículo a motor. Siga todas las instrucciones de instalación, uso y mantenimiento que se incluyen en este manual además de las instrucciones de transporte citadas a continuación.

ADVERTENCIA

1. De ser posible y viable, el usuario de la silla de ruedas debe trasladarse al asiento original de fábrica del vehículo y utilizar el sistema de sujeción de seguridad provisto por el sistema de transporte.
2. La distancia entre la parte superior del hombro del usuario y la parte superior de la concha no debe exceder de 7.6cm.
3. La silla de ruedas debe contener la especificación de uso apropiado como asiento en un vehículo de motor, y debe estar dinámicamente probada según los requisitos de rendimiento de prueba de la norma ISO 7176-19. Además, debe ser instalada, usada y mantenida según las instrucciones del fabricante.
4. Si el asiento original de la silla de ruedas fue reemplazado, el nuevo asiento debe contar con la aprobación para sillas de ruedas en vehículos de transporte. Además debe ser instalado y usado según las instrucciones del fabricante.
5. El sistema de sujeción de seguridad en vehículos de transporte (WTORS) debe ser compatible con la silla de ruedas, debe cumplir con los requisitos de rendimiento de la norma ISO 10542 y debe ser usado según las instrucciones del fabricante.

6. La silla de ruedas debe ubicarse mirando hacia delante durante el transporte.
7. A fin de reducir el riesgo de lesiones de los ocupantes del vehículo, los accesorios montados en la silla de ruedas, tales como bandejas y equipamiento respiratorio deben extraerse y almacenarse por separado.
8. Este producto está diseñado para ser utilizado por usuarios cuyo peso varíe entre 11 y 75 kg.
9. No deben considerarse como sistemas de sujeción de seguridad los dispositivos de soporte postural, tales como cinturones de posicionamiento pélvicos, soporte torácico o demás soportes posturales, como los torácicos laterales para un vehículo en movimiento, a menos que cumplan con la norma ISO 16840-4.
10. No se deben efectuar alteraciones ni sustituciones en la estructura, piezas o componentes sin antes consultar con el fabricante.

ADVERTENCIA

SI NO SIGUE ESTAS ADVERTENCIAS, PUEDE PROVOCAR LESIONES GRAVES AL USUARIO DE LA SILLA DE RUEDAS O DEMÁS PASAJEROS.

RETIRADA Y NUEVA COLOCACIÓN

Después de la instalación y ajuste, el respaldo puede retirarse fácilmente de la silla de ruedas si es necesario. Para su extracción, jale la correa de desenganche hacia abajo, rote el respaldo hacia arriba y remuévalo del mecanismo de sujeción.

Colocación adecuada después de su retirada

Para volver a insertar el respaldo en las piezas de fijación, jale la correa de desenganche hacia abajo, inserte el respaldo y rótelo hacia abajo.

ADVERTENCIA

Si no está seguro de haber escuchado el "clic", tire hacia arriba en el respaldo para comprobar que este ha quedado colocado correctamente.

GARANTÍA

GARANTÍA LIMITADA DE 24 MESES

Cada respaldo JAY Zip de contorno profundo es inspeccionado y probado cuidadosamente para proporcionar el mayor rendimiento. Cada respaldo JAY Zip de contorno profundo tiene una garantía contra defectos de los materiales o de mano de obra durante un período de 24 meses a partir de la fecha de compra, si se usa de manera normal. En caso de presentarse defectos en los materiales o mano de obra dentro del período de 24 meses a partir de la fecha de compra original, Sunrise Medical, lo reparará o reemplazará sin cargo alguno. Esta garantía no se aplica a los pinchazos, rupturas o quemaduras, ni a la funda desmontable del respaldo.

Las reclamaciones y reparaciones serán atendidas a través del distribuidor autorizado Sunrise más cercano. Con excepción de las garantías expresas aquí establecidas, se excluyen todas las demás garantías, incluyendo las garantías implícitas de comercialización y las garantías de idoneidad para un propósito en particular. No existe ninguna garantía que se extienda fuera de la descripción aquí establecida. Los remedios por infracciones de las garantías expresas aquí establecidas están limitados a la reparación o sustitución de la mercancía. Los daños por infracción de cualquier garantía en ningún caso incluirán ningún daño consecuencial ni superarán el coste de los productos vendidos fuera de especificaciones.

Sunrise Medical conseille de consulter un médecin ou thérapeute spécialisé dans l'assise et le positionnement pour déterminer si un dossier Zip est approprié. Les dossiers ne doivent être installés que par un fournisseur d'équipement médical agréé Sunrise.

LE DOSSIER JAY ZIP

Le dossier JAY Zip est conçu pour offrir à de nombreux usagers pédiatriques les avantages non négligeables d'un support dorsal adéquat. Il vise à assurer un support à la fois simple, confortable et efficace pour optimiser la mobilité et accroître la tolérance à la position assise. Il est en outre léger, robuste et facile d'emploi.

Poids maximal de l'utilisateur : 165 lbs (75 kgs)

⚠️ AVERTISSEMENT

L'installation d'un dossier sur un fauteuil roulant peut affecter le centre de gravité de ce dernier, le faire basculer en arrière et blesser l'utilisateur.

Évaluez toujours la nécessité de dispositifs anti-basculement ou d'adaptateurs d'essieux pour amputés à ajouter au fauteuil pour en améliorer la stabilité.

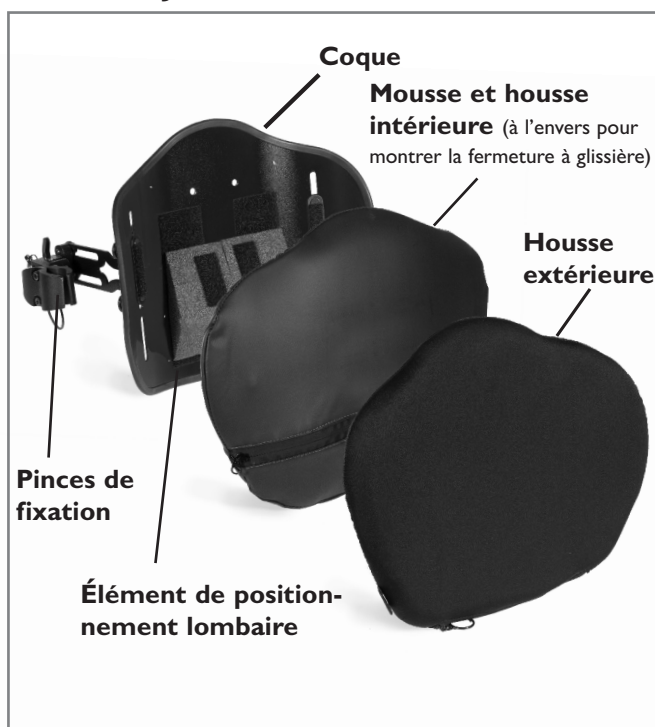
⚠️ AVERTISSEMENT

N'utilisez pas le dossier pour pousser ou soulever le fauteuil. Un usage inapproprié peut provoquer le détachement imprévu du dossier du fauteuil.

⚠️ AVERTISSEMENT

Ne pas utiliser la poignée du dossier pour soulever le fauteuil roulant. Cette poignée ne sert qu'à démonter le dossier.

DOSSIER JAY ZIP



ENTRETIEN ET COUPLES DE SERRAGE

Sunrise conseille de vérifier les attaches tous les 6 mois pour s'assurer de l'absence d'usure, de boulons desserrés ou de composants cassés. Les attaches desserrées doivent être resserrées suivant les instructions d'installation. Toutes les fixations doivent être serrées selon les spécifications de couple de serrage conformément au chapitre Installation des fixations. Contactez immédiatement le fournisseur agréé Sunrise pour le remplacement de tout composant cassé. Ne continuez pas à utiliser le système après avoir constaté que des composants sont desserrés ou cassés.

NOTE- Pour votre commodité, une clé est fournie avec dossier.

NETTOYAGE FACILE

NOTE- Lors du démontage du dossier pour son nettoyage, prenez note de la position des éléments de positionnement lombaire en Velcro® pour effectuer un remontage correct.

Pour nettoyer la housse du dossier

Ôtez la housse en détachant la bande Velcro. Détachez le coussin Velcro de la coquille arrière. Localisez la fermeture éclair sous la housse et ouvrez-la. Retirez la mousse avec la housse intérieure et mettez-la à l'envers. Refermez la fermeture à glissière pour éviter les accrocs. Le cas échéant, notez l'emplacement des éléments de positionnement pour assurer un réassemblage correct. Lavez au lave-linge à l'eau tiède (50°C). Essorez ou séchez à faible température.

REMARQUE : Les housses ne doivent pas être nettoyées à sec ni dans des lave-linge, ni dans des sèche-linge industriels. N'utilisez pas d'autoclave. N'utilisez pas d'agents de blanchiment.

Remettez la mousse avec la housse intérieure dans la housse. A noter que le support est composé de deux couches de mousse. Au moment de réinsérer la mousse, assurez-vous que le côté gris clair, plus mince et plus ferme de la mousse fait face à la coque et que le côté plus souple de la mousse fait face à l'utilisateur. Après avoir inséré la mousse dans la housse, fermez la fermeture à glissière.






Pour nettoyer la coque et la housse intérieure

La coque et la housse intérieure peut être nettoyée à l'eau et au savon. Aucun autre entretien n'est nécessaire.

Pour le nettoyage des éléments de positionnement.

Les éléments de positionnement peuvent être nettoyés à l'eau savonneuse. Ne pas immerger les éléments de positionnement.

Si vous avez d'autres questions concernant ces procédures de nettoyage, veuillez contacter votre distributeur de matériel Sunrise Medical.

Symboles de nettoyage	
	Lavez à la machine à l'eau tiède (50° C)
	N'utilisez que des nettoyeurs sans chlore si un tel nettoyage est nécessaire
	Essorez jusqu'au séchage complet
	Ne pas repasser
	Ne pas nettoyer à sec

DÉTERMINATION DE COMPATIBILITÉ

Types de fauteuils roulants

Le dossier JAY Zip est conçu pour s'adapter à la plupart des fauteuils roulants, excepté dans le cas suivant :

Les fauteuils à dossier réglable en angle qui basculent ou s'inclinent et sur lesquels le dossier forme un angle de plus de 60 degrés par rapport à la perpendiculaire ne doivent pas être utilisés.

AVERTISSEMENT

Le dossier utilisé avec ce type de fauteuil peut s'en détacher accidentellement, entraînant une chute et des blessures potentiellement graves.

Dimensions du fauteuil

Le dossier JAY Zip est conçu pour remplacer le dossier à toile du fauteuil. Avant le montage, il faut déterminer si le fauteuil roulant possède des tubes adaptés, et mesurer la largeur entre les tubes arrière, comme le montre la figure 1. Puis, à l'aide de ces mesures, vérifier dans le tableau 1 pour savoir si le dossier convient à votre fauteuil.

Vérifiez ensuite que les cannes arrière sont d'un diamètre compatible. Le matériel de retour JAY peut être monté sur des backcanes de fauteuil roulant allant de 3/4 " à 1 1/8 ". Mesurez votre canediamètre arrière (Fig. 2) et référez-vous au tableau 2 pour vous assurer que vos backcanes sont compatibles.

Si vous ne pouvez pas déterminer la compatibilité des tubes de dossier, veuillez vous adresser au fournisseur d'équipement médical agréé Sunrise ou au Service après-vente Sunrise.

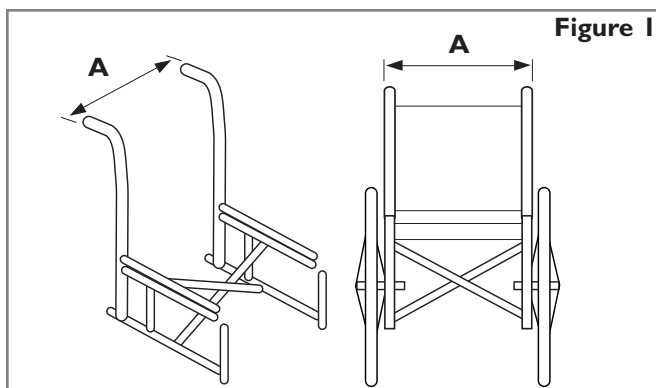
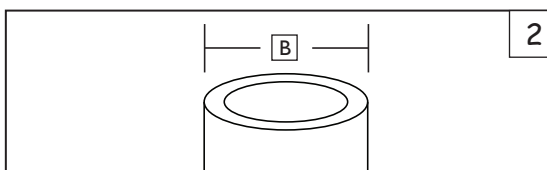


Figure 1

Tableau 1

Largeur du dossier Zip* (tous profils)	La largeur des montants arrière de l'extérieur à l'extérieur des tubes (Fig. 1-A)			
	Largeur minimum		Largeur maximale	
	po	cm	po	cm
8"	7.7	19.6	9.3	23.6
10"	9.7	24.6	11.3	28.7
12"	11.7	29.7	14.3	36.3
14"	13.7	34.9	16.3	41.3

* La largeur du dossier est précisée dans le numéro identifiant du dossier. Exemple: JZIPB10S équivaut à un dossier de 10 po de largeur.



2

TABLEAU 2 Largeur du Dossier (tous les galbes)	Cane diameter (B)			
	Minimum		Maximum	
	inch	cm	inch	cm
8" - 14"	3/4	1.9	1 1/8	2.85

A. QUINCAILLERIE DU JAY (RH)

Veuillez lire les instructions qui suivent avant de commencer l'installation. Pour installer le dossier JAY Zip, avec la quincaillerie en RH, il est préférable de commencer sans personne dans le fauteuil roulant. Une fois le dossier installé, l'utilisateur peut se rasseoir dans le fauteuil pour les réglages mineurs.

I. Outillage nécessaire (compris avec le dossier JAY Zip):

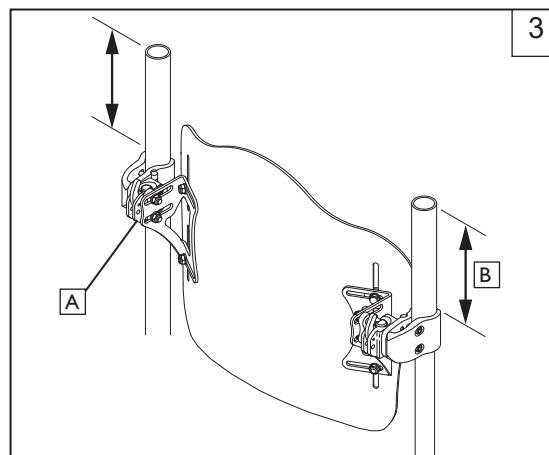
- Clé hexagonale de 4 mm
- Clé à fourche de 10 mm

B. INSTALLATION DE LA QUINCAILLERIE DU DOSSIER 3 4 5

6 7

1. Enlevez les éléments existants du dossier

- Déposez le dossier existant du fauteuil roulant conformément aux instructions du fabricant du fauteuil.
- Retirez la quincaillerie ou les éléments de dossier déjà en place.



2. Localisation des pinces de fixation

- La coque du dossier doit être livrée avec les supports de montage (A) fixés.
- Déterminez visuellement l'emplacement optimal des supports des colliers de serrage (B) sur les tubes du dossier. La quincaillerie de montage doit être placée à des hauteurs égales sur chaque montant du dossier (Figure 3) et parallèle à l'armature du siège (Figure 4).

REMARQUE - Un emplacement plus haut sur les tubes de dossier est généralement préférable.

3. Fixation des pinces de fixation

- À l'aide d'une clé hexagonale de 4 mm, desserrez les vis de serrage (Figure 5) (C).

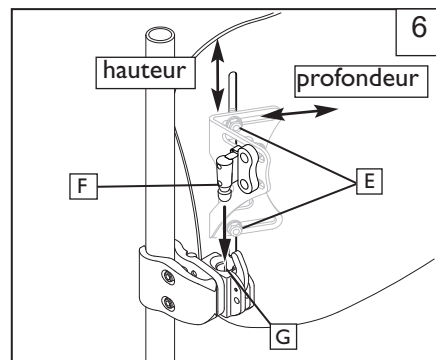
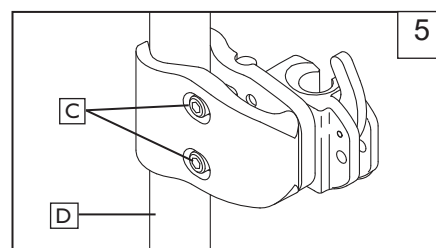
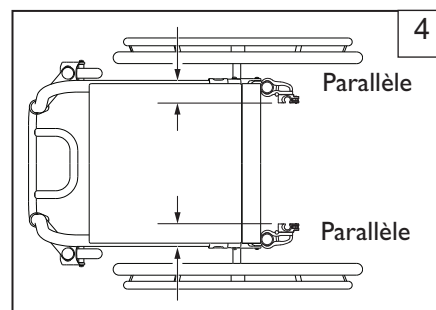
REMARQUE - Sur les tubes de grands diamètres, il peut être nécessaire de retirer complètement les vis de serrage.

- Fixez et alignez la pince de fixation sur les tubes de dossier (D) du fauteuil roulant.
- Resserrez les vis de serrage à la main (C).
- Les pinces de fixation peuvent nécessiter des réglages latéraux supplémentaires afin d'assurer un alignement correct.

4. Fixation et alignement de la coque du dossier JAY Zip.

- À l'aide d'une clé de 10 mm, desserrez les écrous du support (E) et les vis des broches de montage (H) jusqu'à ce que la quincaillerie puisse être facilement déplacée dans tous les sens.
- Fixez le dossier JAY Zip sur les pinces de fixation de la quincaillerie en introduisant les broches de montage (F) gauche et droite dans leurs pinces de fixation (G) respectives.
- Placez le dossier à l'emplacement approximatif par rapport au fauteuil et à l'utilisateur.
- Serrez les vis sur l'intérieur de la broche de montage (F). Le couple de serrage spécifié est de 11,3-12,4 N m (100-110 po-lb).
- Une fois tous les éléments correctement alignés, serrez les vis de serrage (C) à environ 8,5-9,3 N m (75-85 po-lb).
- Terminez en introduisant la broche de verrouillage dans la pince de fixation et en relâchant quelques fois pour assurer un fonctionnement sans accroc.

REMARQUE - Il peut être nécessaire de régler la profondeur et l'angle du dossier pour assurer une adaptation appropriée à l'utilisateur.

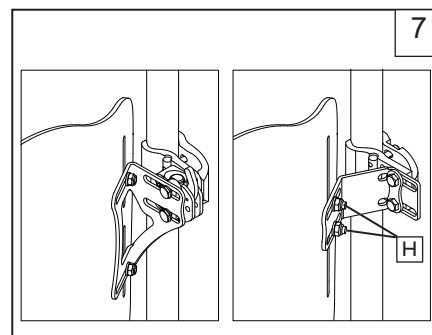


C. RÉGLAGE DE LA HAUTEUR, DE LA PROFONDEUR ET DE L'ANGLE DU 7

Une fois l'installation initiale terminée, des ajustements peuvent être effectués avec l'utilisateur assis dans le fauteuil pour une adaptation personnalisée. Assurez-vous que l'utilisateur ne s'appuie pas complètement contre le dossier tant que la quincaillerie n'est pas complètement serrée aux couples spécifiés.

1. Réglage de la hauteur

- L'utilisateur étant assis dans le fauteuil roulant, déterminez la hauteur correcte pour le dossier.
- Demandez à l'utilisateur de glisser légèrement vers l'avant, et desserrez les écrous (I) à l'aide d'une clé de 10 mm.
- Mettez le dossier à la hauteur correcte et serrez les écrous à 8,5-9,3 N m (75-85 po-lb).



2. Réglage de la profondeur et de l'angle

Une fois l'installation initiale terminée, des ajustements peuvent être effectués avec l'utilisateur assis dans le fauteuil pour un ajustement personnalisé. Le matériel permet de 2 pouces de réglage de la profondeur antérieure, 2,75 pouces avec des broches de montage à droite et à gauche de recul. Le matériel permet de 2 pouces de réglage de la profondeur antérieure, 2,75 pouces avec les broches de montage à droite et à gauche de recul.

- Desserrez les vis hexagonales gauches et droites (J) des fentes du support à l'aide d'une clé de 10 mm.
- Réglez la profondeur ou l'angle et serrez fermement les vis pour bloquer le réglage. Le couple de serrage spécifié est de 11,3-12,4 N m (100-110 po-lb).
- Retirez le dossier J3 des pinces de fixation si une profondeur supplémentaire est nécessaire. Retirez les vis (K) de la pince de fixation à l'aide de la clé hexagonale de 4 mm et repositionnez la quincaillerie à la profondeur souhaitée. La quincaillerie standard (K) présente deux réglages de profondeur; la quincaillerie allongée (réglable) en présente 4.
- Après le réglage à la profondeur correcte, serrez les vis à 2,8 - 4 N m (25-35 po-lb).

E. VÉRIFICATIONS

AVERTISSEMENT

Assurez-vous que toute la quincaillerie est correctement serrée aux couples spécifiés.

- Assurez-vous que le dossier est verrouillé et que la broche de blocage est introduite dans la pince de fixation.
- Vérifiez que le dossier peut être fixé facilement et fermement en fixant et retirant l'ensemble plusieurs fois.
- Vérifiez à nouveau l'adaptation et le confort de l'utilisateur avant de mettre le dossier en service.
- Le non-respect de cette procédure de vérification peut entraîner des blessures ou des dommages à votre dossier ou ses éléments.

LE DOSSIER ZIP ADAPTÉ POUR LA SÉCURITÉ À L'ARRIÈRE D'UN VÉHICULE

Ce dossier a été testé dynamiquement pour une utilisation dans un véhicule. Veuillez suivre toutes les instructions de montage, d'emploi et d'entretien contenues dans ce manuel, ainsi que les instructions relatives au transport listées ci-dessous.

AVERTISSEMENT

1. Dans la mesure du possible, l'utilisateur doit prendre place dans le siège du véhicule et utiliser la ceinture de sécurité du véhicule.
2. La distance entre le haut de l'épaule de l'utilisateur et le haut de la coque du dossier ne doit pas dépasser 7,6 cm.
3. Le fauteuil roulant doit porter une étiquette d'homologation attestant que l'équipement peut être utilisé comme siège dans un véhicule automobile, a subi un test dynamique suivant la norme ISO 7176-19, et a été installé, utilisé et entretenu suivant les instructions du constructeur.
4. Si le siège d'origine du fauteuil roulant a été remplacé, la nouvelle assise doit être certifiée pour le transport d'un fauteuil roulant, installé et utilisé conformément aux instructions du fabricant.
5. Le dispositif d'arrimage du fauteuil roulant et le dispositif de sécurité des passagers sur fauteuil roulant doivent être compatibles avec le fauteuil roulant, et utilisés suivant les instructions du fabricant, conformément aux exigences de performance de la norme ISO 10542.

6. Le fauteuil roulant doit être orienté dans le sens de la marche du véhicule.
7. Afin de réduire les risques de blessure aux occupants, il faut enlever les accessoires montés sur le fauteuil.
8. Ce produit est destiné aux utilisateurs dont le poids peut aller de 11 à 75 kilos.
9. Les dispositifs de soutien postural comme les ceintures d'aide au positionnement du bassin, les cales lombaires, ou les cales latérales de soutien du tronc ne tiennent pas lieu de dispositif de sécurité dans un véhicule mobile à moins qu'ils ne portent une étiquette d'homologation attestant de leur conformité à la norme ISO 16840-4.
10. Les pièces ou composants de la structure ne doivent pas être modifiés sans l'avis du fabricant.

AVERTISSEMENT

LE NON-RESPECT DE CES AVERTISSEMENTS PEUT ENTRAÎNER DES BLESSURES GRAVES POUR L'OCCUPANT DU FAUTEUIL ROULANT ET POUR LES AUTRES PERSONNES.

DEPOSE ET REMISE EN PLACE

Après l'installation et le réglage, le dossier peut être facilement enlevé du fauteuil en cas de besoin. Pour enlever le dossier, tirez sa poignée vers le bas, tournez-le pour le relever, puis dégagez-le des pinces de fixation.

Réinstallation correcte après dépose

Pour fixer à nouveau le dossier aux pinces de fixation, tirez le cordon vers le bas, insérez le dossier dans les pinces, et tournez-le pour l'abaisser.

AVERTISSEMENT

Si vous n'êtes pas certain d'avoir entendu le clic de verrouillage, tirez vers le haut sur le dossier pour vous assurer qu'elle a été verrouillée correctement.

GARANTIE

GARANTIE LIMITÉE DE 24 MOIS

Chaque dossier JAY Zip est méticuleusement inspecté et testé afin d'assurer une performance optimale. Chaque dossier JAY Zip est garanti contre tout vice de matériau et de fabrication pour une période de 24 mois à compter de la date d'achat, sous réserve d'usage normal. En cas de défaut de matériau ou de fabrication constaté dans les 24 mois suivant la date d'achat initiale, Sunrise Medical, à sa discrétion, réparera ou remplacera le produit et ce, gratuitement. La présente garantie ne s'applique ni aux perforations, déchirures ou brûlures, ni à la housse amovible du dossier.

Toute réclamation ou demande de réparation doit être traitée par le fournisseur agréé le plus proche. À l'exception des garanties expresses offertes dans les présentes, toutes les autres garanties, y compris les garanties tacites de qualité marchande et d'adéquation à un usage particulier sont exclues. Aucune garantie ne s'étend au-delà de la description qu'elle contient. Les recours en cas de rupture des garanties expresses énoncées dans les présentes sont limités à la réparation ou au remplacement des produits. En aucun cas les dommages-intérêts pour rupture de garantie ne devront inclure de dommages indirects ni dépasser le coût de produits non conformes qui ont été vendus.

Sunrise Medical • 2842 Business Park Ave. • Fresno, CA 93727 • USA
In Canada (800) 263-3390



Customer Service: 800.333.4000
www.SunriseMedical.com

©2019 Sunrise Medical (US) LLC
02.19 120688 Rev. B