

CR45

USER INSTRUCTION MANUAL & WARRANTY
MANUAL DE INSTRUCCIONES Y GARANTÍA



2023-08-21

I. INTRODUCTION

Thank you for purchasing a Ki Mobility wheelchair!

WARNING

WARNING: Do not use this without first reading this entire manual. Use without first reading this entire manual could result in serious injury to the user and/or attendant.

Ki Mobility recommends training by an Assistive Technology Professional (ATP) or other competent clinical or technical professional in the safe use of this chair prior to use.

If you have any questions or concerns about any aspect of this wheelchair, this manual or the service provided, do not hesitate to contact your authorized supplier, an authorized representative or Ki Mobility. Ki Mobility can be reached at:

(1)715-254-0991



Ki Mobility
5201 Woodward Drive
Stevens Point, WI 54481
U.S.A



www.kimobility.com (Includes Dealer locator and access to printed information)

Or via our Authorized EU Representative:



Etac Supply Center AB
Långgatan 12
33233 Anderstorp
Sweden

Or via our UK Responsible Person:



Etac Ltd
Unit 60, Hartlebury Trading
Estate, Hartlebury
Kidderminster, DY10 4JD

II. TABLE OF CONTENTS

I.	INTRODUCTION	
II.	TABLE OF CONTENTS	
III.	NOTICE - READ BEFORE USE	
	A. Intended Use	3
	B. Indications for Use	3
	C. Your Safety	3
	D. Signal Words	4
	E. Serial Number Identification	4
	F. Symbol Glossary	5
	G. General Warnings and Cautions	6
	H. Positioning Belts or Harnesses	9
	I. Riding Your Wheelchair	9
	J. Power Drives	11
	K. Your Wheelchair and the Environment	12
	L. Modifying your Wheelchair	12
	M. Wheelchair Stability	12
	N. Aftermarket Seating	13
IV.	WHEELCHAIR USE & CONFIGURATION	
	A. Curbs, Steps and Stairs	14
	B. Transfers	15
	C. Transit Use	15
	D. Cushion Use	20
	E. Transporting of Unoccupied Wheelchair	20
	F. Your CR45 & Its Parts	21
	G. Height Adjustable T-Arm	22
	H. Angle Adj. Locking Extendable Flip Up Armrest	23
	I. Swing Away Hangers	23
	J. Swing Away Hangers with 4-Way Latch	24
	K. Extension Tubes	25
	L. Elevating Leg Rest	25
	M. Pro Elevating Leg Rest	26
	N. Pediatric Elevating Leg Rest	29
	O. Residual Limb Support	31
	P. Backrest	31
	Q. Reclining Backrest	32
	R. Tilt Mechanism	33
	S. Rear Wheels	37
	T. Wheel Locks	38
	U. Attendant Foot Lock	38
	V. Anti-Tips	39
	W. Contact Surfaces	41
	X. Oxygen Tank Holder	41
	Y. Canopy	42
V.	MAINTENANCE AND CARE	
	A. Maintenance Table	43
	B. Cleaning	44
	C. Storage	45
	D. Disposal	45
VI.	TROUBLESHOOTING	
	A. Symptoms and Solutions	46
VII.	WARRANTY	47
VIII.	SPECIFICATION SHEET - CR45	48

III. NOTICE - READ BEFORE USE

A. Intended Use

The Ki Mobility CR45 manual wheelchair is intended to provide mobility to persons limited to a sitting position.

B. Indications for Use

The Ki Mobility CR45 manual wheelchair is a manually operated device with wheels that is intended to provide mobility to adults restricted to a sitting position.

C. Your Safety

NOTE: Contact Ki Mobility for information on safety recalls and notices.

Any serious adverse events or injuries related to the use of your wheelchair or its accessories must be reported immediately if the incident directly or indirectly leads to serious health decline or death of the user or other person. Report any serious events and/or injuries to Ki Mobility and, if required by local regulation, the competent health authority where the user and/or other person legally reside.

Do not use this wheelchair without first reading this entire manual. BEFORE riding, you should be trained in the safe use of this chair by an Assistive Technology Professional (ATP) or other competent clinical or technical professional. Ki Mobility manufactures many different wheelchairs that might meet your needs. The recognized best practice for selecting a wheelchair is to consult with an ATP or other competent technical professional and an experienced clinical professional such as a physical therapist, occupational therapist or physician. Final selection of the type of wheelchair, options and adjustments rests solely with you and your technical and clinical professionals. The options you choose, and the set-up and adjustment of the wheelchair have a direct impact on its performance, stability and its ability to meet your needs. Factors to consider that affect your safety and stability are:

- a. Your personal abilities and capabilities including strength, balance and coordination.
- b. The types of hazards and obstacles you might encounter during your day.
- c. The specific dimensions, options and set up. In particular, the seat height, seat depth, seat angle, back angle, size and position of the rear wheels and size and position of the front casters.

III. NOTICE - READ BEFORE USE

D. Signal Words

Within this manual you will find what are referred to as “Signal” words. These words are used to identify and convey the severity of varying hazards. Before using this chair you, and each person who may assist you, should read this entire manual. Please note the Signal word and consider any notes, cautions or warnings. Make sure to follow all instructions and use your chair safely. The Signal word refers to a hazard or unsafe practice that may cause severe injury or death to you or to other persons. The “Warnings” are in three main categories, as follows:

NOTE – Note indicates a potentially hazardous situation which, if not avoided, could result in a decline in the performance of the chair or damage to your wheelchair.

⚠ CAUTION ⚠

CAUTION: Caution indicates a potentially hazardous situation which, if not avoided, could result in damage to your wheelchair and injury to you.

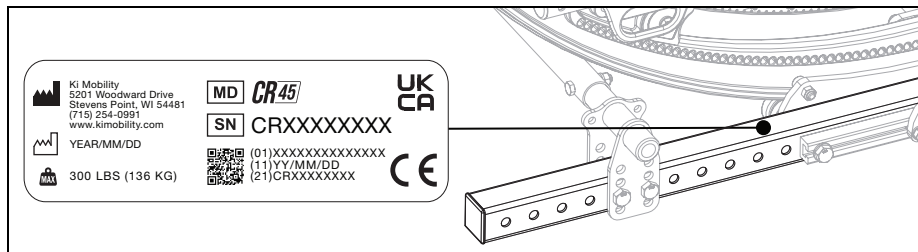
⚠ WARNING ⚠

WARNING: Warning indicates a potentially hazardous situation which, if not avoided, could result in serious injury or death.

These signal words will be placed throughout the manual, where appropriate to highlight the hazardous situation. Refer to Section F. for hazardous situations that will apply to the general use of this wheelchair.


















E. Serial Number Identification

The serial number label provides important information about your chair and the serial number is used as the unique identifier for your specific chair. See image below on where to find the serial number on your chair.



III. NOTICE - READ BEFORE USE

F. Symbol Glossary

SYMBOL	DEFINITION
	Indicates the medical device manufacturer.
	Date of manufacture (YEAR/MM/DD).
	Indicates the need for the user to consult an instruction for safety reasons such as cautions and warnings. If presented on the medical device or packaging, it indicates the need for the user to consult the instructions for safety reasons such as cautions and warnings.
	Indicates the item is a medical device.
	Indicates the manufacturer's serial number so that a specific medical device can be identified.
	Indicates the authorized representative in the European Community.
	Indicates the manufacturer's declaration that the product meets the requirements of the applicable EC directives.
	Indicates the need for the user to consult the instructions for use.
 <small>www.kimobility.com</small>	Indicates the need for the user to consult the listed website for instructions for use in an electronic format.
	Indicates a website where a user may obtain additional information about the medical product.
	Indicates a specified maximum weight limit (lbs/kg).
	Indicates a transit securement point.
	Indicates a potential pinch point.
	Indicates the entity importing the medical device into the locale.
	Conforms with ANSI/RESNA WC-4 Section 19 (WC19) and ISO 7176-19.
	Indicates not for transit use.
	Indicates the manufacturer's declaration that the product meets the requirements of the applicable UKCA directives.












III. NOTICE - READ BEFORE USE

G. General Warnings and Cautions

WARNING


CR45	Standard 300 lbs (136 kg)
------	------------------------------


WARNING: Limits refer to combined weight in pounds of user and all items carried. Do not exceed weight limit of chair. Exceeding weight limit may damage your chair or may increase your risk of falling or tipping over. A tip-over or fall could result in serious injury or death.

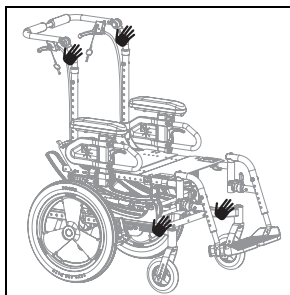
-  Do not use chair for weight training. The movement of the additional weight alters the chair's center of gravity increasing your risk of tipping over. A tip-over could result in damage to your chair or in serious injury or death.
-  Do not hang backpacks, bags or heavy objects above the occupants center of gravity. The additional weight alters the chair's center of gravity increasing your risk of tipping over. A tip-over could result in serious injury or death. If additional loads need to be carried, it is recommended to use under seat carriers and pouches. Objects hung on the chair may cause instability, may prevent access to the chair components, may become entangled in moving parts or may cause a premature wear of chair components such as back upholstery and push handles.
-  Keep tires inflated to correct tire pressure. Using a chair without properly inflated tires may affect its stability, increasing your risk of tipping over. A tip-over could result in damage to your chair or in serious injury or death to you or others. Correct tire pressure is indicated on the side wall of the tire. Your wheelchair provider can determine if your tires are inflatable if you are unsure.
-  Avoid ramps or slopes inclined more than 9 degrees. Steep slopes increase your risk of falling or tipping over. A tip-over or fall could result in damage to your chair or in serious injury or death to you or others. Do not use chair on ramps or slopes tilted more than 9 degrees (about 2 inches rise/drop per linear-foot): neither up/down nor across.
-  Avoid inclined surfaces slick or coated with ice, oil or water. Slippery inclines could result in an inability to control the wheelchair on the surface and result in a tip-over or fall. A tip-over or fall could result in damage to your chair or in serious injury or death.
-  Avoid leaning over the side or back of your wheelchair to extend your reach. Leaning over chair could change its center of gravity and cause an unstable situation resulting in a fall or tip-over. A tip-over or fall could result in damage to your chair or in serious injury or death.
-  Do not lift wheelchair by its removable parts while occupied. Lifting a wheelchair by removable parts while occupied could cause user to fall or lose control. A fall or loss of control could result in damage to your chair or in serious injury or death.
-  Packaging material must be kept out of the reach of children. Improper handling of packaging materials and the neglect of the duty to supervise children could result in suffocation and serious injury or death.
-  Your wheelchair meets ISO 7176-16 for flammability. Resistance to ignition can change with use, aging or cleaning. Precautions should be taken to avoid ignition sources and proximity to flammable materials that can increase ignition such as oxygen and alcohol. Also, be aware that adding components, seating, postural supports or materials to the chair may alter flammability. Changes to flammability may result in serious injury or death.
-  Always look ahead for potential obstructions or surface transitions that could cause your front caster wheels or footplate to catch causing your wheelchair to abruptly stop. Failure to do so could cause the wheelchair to tip unexpectedly resulting in a fall or loss of control. A fall or loss of control could result in damage to your wheelchair, serious injury or death.
-  In the event of corrosive spills or exposure to biohazards, remove contaminants immediately or serious injury or death could occur. See the Cleaning section in this manual for instructions.


III. NOTICE - READ BEFORE USE

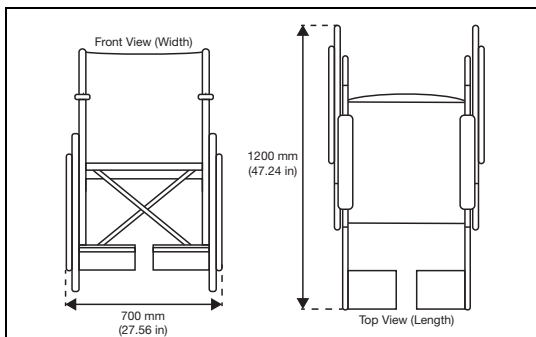
G. General Warnings and Cautions (Continued)

 Any body part that presses against a wheelchair frame or other wheelchair components may create skin deformation that results in a high pressure point. High pressure points negatively affect the tissue under stress and can cause you to develop a pressure injury or skin breakdown. If your skin develops redness, or any other symptoms of a pressure injury or skin breakdown, discontinue the use of this product immediately and consult your clinician. Continuing to use the wheelchair after skin changes are present can result in serious injury or death.

 For safe moving and lifting of the wheelchair without an occupant, it is recommended to fold the backrest (if configuration allows) and grip at points on the frame as indicated in diagram. Take care to not grip at points where components are removable or move during use of chair in order to avoid injury and a failure of the component.



 Overall dimensions of wheelchairs vary according to its specific configuration such as seat depth, seat width, wheel and tire choices and the addition of aftermarket equipment not provided by Ki Mobility. If overall dimensions of your specific wheelchair exceeds the recommended dimensions in image below it may limit access to emergency escape routes. Inability to access an emergency escape may result in serious injury or death.



CAUTION

CAUTION: Avoid overtightening bolts and hardware that attach components to the frame. Overtightening could cause damage to the chair; affecting its durability and performance. Damage to the chair could result in injury to the user.

NOTE: Information about tightening hardware can be found in the maintenance section of this manual. If you are unsure how to properly tighten bolts or hardware or lack the tools necessary, consult your authorized supplier.

III. NOTICE - READ BEFORE USE

G. General Warnings and Cautions (Continued)

WARNING

WARNING: Use of footrest without supportive foot coverings like shoes can result in serious injury to your feet.

Ki Mobility wheelchairs are available with multiple footrest options. They vary in adjustability and are designed to facilitate proper support and positioning of your feet. They are intended to be used with supportive foot coverings like shoes. In general, the footplates themselves may be smaller than your feet and will not protect your feet from injury from bumping into walls, doors, or other hard surfaces you may encounter during wheelchair use. The surfaces may have textures or coatings to prevent your foot from sliding off. Some have slots to facilitate attaching other types of foot supports. These textures coatings or attaching schemes are not designed to interact with uncovered feet and can lead to skin abrasion or pressure points which can affect tissue integrity. Secondary supports such as footpads or footbox can be added to protect your feet if you do not wear proper supportive foot coverings like shoes. If you are unsure whether your footrests are appropriate for you should consult with an ATP or other competent technical professional and an experienced clinical professional such as a physical therapist, occupational therapist, or physician to determine what footrests will best meet your needs. If you have skin breakdown or other tissue integrity issues you should discontinue use and seek advice from a clinical professional trained in skin care such as a doctor, nurse, or a therapist. Always follow the advice of the clinical professionals caring for your skin and wear recommended dressings and/or coverings to protect your skin.

WARNING

WARNING: Use of residual limb support without proper coverings can result in serious injury to your residual limb(s).

If you have had an amputation or have deformities of your lower extremities your wheelchair may have been provided with one or two residual limb supports. Residual limb supports are designed to be used with proper coverings of your residual limb(s). They may intentionally be shorter than your residual limb(s) and will not protect your residual limb from injury from bumping into walls, doors, or other hard surfaces you may encounter during wheelchair use. Residual limbs can be subject to tissue integrity issues from shear and abrasion. You should always wear proper coverings of the residual limb(s) to diminish this risk. If you have skin breakdown or other tissue integrity issues you should discontinue use and seek advice from a clinical professional trained in skin care such as a doctor, nurse, or a therapist. Always follow the advice of the clinical professionals caring for your skin and wear recommended dressings and/or coverings to protect your skin.

WARNING

WARNING: Depending on your skin and other conditions related to your disability you may develop irritations or abrasions from prolonged contact with or rubbing against the surfaces of your wheelchair. Irritation and abrasions can lead to further complications from skin breakdown which can be serious.

Ki mobility recommends wearing clothing or other protected coverings over skin that is resting or rubbing against components or the frame of your wheelchair. If you have skin breakdown or other tissue integrity issues you should discontinue use and seek advice from a clinical professional trained in skin care such as a doctor, nurse, or a therapist. Always follow the advice of the clinical professionals caring for your skin and wear recommended dressings and/or coverings to protect your skin.

III. NOTICE - READ BEFORE USE

H. Positioning Belts or Harnesses

WARNING

WARNING: Improper use of positioning belts can cause the user to slide underneath the positioning belt in the wheelchair. If this should happen, chest compression or suffocation due to pressure from the belt can occur. If this occurs, the user's breathing may be hampered causing serious injury or death.



Improper use of positioning belts could cause body parts to become entangled which can restrict mobility and movement, which could result in serious injury or death.

Ki Mobility recommends the use of pelvic positioning belts. Pelvic positioning belts can reduce the risk of falling from your wheelchair.

Positioning belts, such as pelvic positioning belts and anterior trunk harnesses and straps, are designed to assist, retain and support proper positioning and posture in the wheelchair.

- Ensure the user does not slide underneath the positioning belt in the wheelchair seat.
- The positioning belt should have a snug fit; tight enough to hold their position, but not so tight as to restrict breathing. An open hand should be able to fit between the belt and the user.
- Proper use of cushions can contribute to pelvic stability and reduce sliding.
- NEVER Use Positioning Belts:
 - a. As a restraint. A restraint requires a doctor's order.
 - i. Unless you can remove the belts easily in an emergency. If you cannot do this, consult with your health care advisor for other options to help with your posture.
 - b. On a user who is unconscious or agitated.
 - c. As an occupant restraint or safety belt in a motor vehicle. A positioning belt is not designed to replace a seat belt that is attached to the frame of a vehicle, which would be required of an effective seat belt. During a sudden stop, with the force of the stop, the user would be thrown forward. Wheelchair seat belts will not prevent this, and further injury may result from the belts or straps. Reference Transit section of this manual for further information.

I. Riding Your Wheelchair

WARNING










WARNING: Avoid pushing or using your wheelchair on soft, rough, uneven, or slick surfaces (including but not limited to ice, sand, loose soil, grass, gravel, potholes, cracks, and broken pavement). Use on such surfaces could cause the wheelchair to lose stability causing it to tip unexpectedly resulting in a fall or loss of control. A fall or loss of control could result in damage to your wheelchair, serious injury or death.



Always look ahead for potential obstructions or surface transitions that could cause your front caster wheels or footplate to catch causing your wheelchair to abruptly stop. Failure to do so could cause the wheelchair to tip unexpectedly resulting in a fall or loss of control. A fall or loss of control could result in damage to your wheelchair, serious injury or death.

III. NOTICE - READ BEFORE USE

I. Riding Your Wheelchair (Continued)

-  Always look ahead for objects or obstructions that your wheelchair could potentially strike. Striking an object or obstruction could cause your wheelchair to tip unexpectedly resulting in a fall or loss of control. A fall or loss of control could result in damage to your wheelchair, serious injury or death. In addition, striking an object or obstruction could cause damage to your wheelchair. The risk of injuries and damage to your wheelchair when striking an object or obstruction increases with your rate of speed.
-  Using your wheelchair on public roads is extremely hazardous and is not recommended. Wheelchair users must obey pedestrian traffic rules. Review the traffic laws in your own state, some states do not permit wheelchair use on public roads.
-  Your balance is affected by the slope of the surfaces you ride on. Because balance is affected, your wheelchair will be less stable when it is at an angle. This is especially true when riding on a slope sideways. Riding your wheelchair on a slope could cause the wheelchair to tip unexpectedly and/or the user to lose stability resulting in a fall or loss of control. A fall or loss of control could result in damage to your wheelchair, serious injury or death.
-  When using your wheelchair in public or private areas (including but not limited to crosswalks, sidewalks, neighborhoods, parking lots and parks) be alert to the danger of motor vehicles. Due to your low position:
 - When lighting is poor use reflective tape on your wheelchair and clothing.
 - If you have the right-of-way always yield until the driver of the motor vehicle has seen you.
-  Use extreme caution when propelling backward. You may be unable to see an obstruction that could cause a tip over. Tipping over could result in damage to your wheelchair, serious injury or death.
-  Ki Mobility does not recommend balancing on just the rear wheels with the front casters off the ground (also known as doing a “wheelie”). A fall or tip over is very likely and could result in damage to your wheelchair, serious injury or death. If you choose to ignore this warning, do not attempt a wheelie unless you have been trained by a clinical or technical professional. You should always have the assistance of an able-bodied person prepared to prevent you from exceeding your tipping point.
-  Do not ride your wheelchair on an escalator. Use of a wheelchair on an escalator could cause a fall, tip-over or loss of control. A fall, tip over or loss of control could result in damage to your wheelchair, severe injury or death.
-  Avoid getting dressed or undressed in your wheelchair. Dressing or undressing in your wheelchair causes your weight to shift. Thus, increasing your risk of falling or tipping over. Falling or tipping over could result in damage to your wheelchair, serious injury or death.
-  Ki Mobility recommends using accessories such as heel loops and calf straps. When used properly, heel loops and calf straps can aid in preventing your legs and feet from accidentally slipping off the footplate or footrest potentially causing your feet to become entangled in the wheelchair and its components or strike the ground. Use of a wheelchair without accessories such as properly fitted heel loops and calf straps can result in a potentially hazardous situation which, if not avoided, could result in injury.

III. NOTICE - READ BEFORE USE

I. Riding Your Wheelchair (Continued)

When using your wheelchair always:

- Scan the area well ahead of your wheelchair as you ride.
- Ensure the surfaces you ride on are level and free of obstacles.
- Remove or cover threshold strips between rooms.
- If your wheelchair has anti-tips make sure they are locked in place when riding your wheelchair (Reference IV, U. for proper use of anti-tips).
- Keep both of your hands on the handrims as you go over obstacles.
- Never push or pull off an object to propel your wheelchair.
- Make sure there is not a drop off at the bottom of ramps.
- On an up-slope, lean your upper body forward slightly to prevent tipping backwards.
- On a down-slope, press your upper body backwards to prevent tipping forward.
- Do not attempt to push over obstacles without assistance.
- Ensure all ramps, slopes or curb cuts you attempt to ride on are compliant with ADA (Americans with Disabilities Act) guidelines or the equivalent accessibility guidelines in your region.

ADA Guidelines and more information about accessible design are available at: www.ada.gov

J. Power Drives

WARNING

WARNING: Ensure the power drive system has been validated and approved by the manufacturer for use with your Ki wheelchair and its configuration. Use of an unapproved external power drive system could result in mechanical failure of the wheelchair or cause a fall. A fall could result in damage to your wheelchair, severe injury or death.



Power drive systems change the stability and performance of the wheelchair. Always use anti-tips with your power drive system. Failure to do so could result in your wheelchair tipping over backwards. Tipping over backwards could result in damage to your wheelchair, severe injury or death.



Always look ahead for objects or obstructions that your wheelchair could potentially strike. Power drive systems change the performance of the wheelchair and will increase the risk of tipping unexpectedly if you strike an object or obstruction. Tipping unexpectedly could result in a fall or loss of control. A fall or loss of control could result in damage to your wheelchair. The risk of injuries and damage to your wheelchair when striking an object or obstruction increases with your rate of speed.

Ki Mobility does not recommend the installation of power drive systems on any Ki Mobility wheelchair. Ki Mobility wheelchairs have not been designed or tested by Ki Mobility as power wheelchairs. If you add a power drive system to a Ki Mobility wheelchair, be sure the manufacturer of the power drive system has validated and approved the combination of the power drive system and wheelchair as safe and effective.

III. NOTICE - READ BEFORE USE

K. Your Wheelchair and the Environment

CAUTION

CAUTION: Exposure to water or excessive moisture may cause the metal in the wheelchair to rust or corrode and the fabric to tear. Dry your chair as soon as possible if exposed to water.



DO NOT USE YOUR WHEELCHAIR IN A SHOWER, POOL OR BODY OF WATER. This will cause your wheelchair to rust or corrode and eventually fail.



Do not operate your wheelchair in sand. Sand can get into the wheel bearings and moving parts. This will cause damage and eventually will cause the wheelchair to fail.

L. Modifying your Wheelchair

WARNING

WARNING: NO ONE SHOULD MODIFY THIS WHEELCHAIR EXCEPT BY ADJUSTING IT ACCORDING TO THIS MANUAL OR BY ADDING KI MOBILITY APPROVED OPTIONS. THERE ARE NO APPROVED OPTIONS THAT INVOLVE DRILLING OR CUTTING THE FRAME BY ANYONE OTHER THAN A TRAINED KI MOBILITY ASSOCIATE. Your wheelchair was engineered and manufactured under strict design controls. An integral part of this process is ensuring the various components work together correctly; they have been tested to various standards to ensure quality and are approved to work together. Contact an authorized supplier or Ki Mobility before adding any accessories or components not provided by Ki Mobility. Unapproved modifications or options could lead to fall and cause serious injury or death.

M. Wheelchair Stability

WARNING

WARNING: The stability of your wheelchair could be affected when using on soft, rough, uneven (incline or decline), or slick surfaces (including but not limited to ice, sand, loose soil, grass, gravel, potholes, cracks, and broken pavement). Use on such surfaces could cause the wheelchair to tip unexpectedly resulting in a fall or loss of control. A fall or loss of control could result in damage to your wheelchair, serious injury or death.



Shifting weight in your wheelchair, adding weight to your wheelchair and carry or reaching for objects could affect the stability of your wheelchair. Thus, increasing your risk of falling or tipping over. Falling or tipping over could result in damage to your wheelchair, serious injury or death.



Avoid getting dressed or undressed in your wheelchair. Dressing or undressing in your wheelchair causes your weight to shift. Thus, increasing your risk of falling or tipping over. Falling or tipping over could result in damage to your wheelchair, serious injury or death.



Ki Mobility does not recommend balancing on just the rear wheels with the front casters off the ground (also known as doing a “wheelie”). A fall or tip over is very likely and could result in damage to your wheelchair, serious injury or death. If you choose to ignore this warning, do not attempt a wheelie unless you have been trained by a clinical or technical professional. You should always have the assistance of an able-bodied person prepared to prevent you from exceeding your tipping point.

III. NOTICE - READ BEFORE USE

M. Wheelchair Stability (Continued)

WARNING

WARNING: If the wheelchair is equipped with a system to vary the tilt angle of the seat frame, confirm it is stable throughout the range of angle changes before use. If the wheelchair is not stable throughout the range of tilt angles a fall or tip over is imminent. Falling or tipping over could result in damage to your wheelchair, serious injury or death.

Strategies to minimize the risk of falling:

- Ensure anti-tips are in the correct position (Reference IV, U. for proper use of anti-tips).
- Lean forward when pushing up an incline.
- Lean back when pushing down a decline.
- Have an attendant behind you to provide assistance.
- Wheelchair set up should be done only by an authorized technician.
- Always use the accessories provided.
- Your wheelchair should be adjusted by an authorized technician when there are changes in your weight or how you sit.
- Always use anti-tips where appropriate (Reference IV, U. for proper use of anti-tips).

To ensure proper stability of your wheelchair, you must make sure the center of gravity and the wheelchair's base of support is correct for your balance and abilities. Many factors can affect these two elements:


- Seat height
- Seat depth
- Back angle
- Seat angle
- Size and position of rear wheels
- Size and position of front casters
- Seating system components
- Tilt position (If applicable)

There are additional actions that can have adverse effects on the stability of your wheelchair. You should consult with an assistive technology professional or clinical professional that is familiar with your needs and capabilities to determine what you are able to do safely while maintaining the stability of your wheelchair.

N. Aftermarket Seating

WARNING

WARNING: The installation of a cushion on a wheelchair could affect the center of gravity of the wheelchair. Changes in your center of gravity may affect your stability in your wheelchair, resulting in tipping over or falling from your wheelchair which may result in serious injury. Always review the instructions for use of your wheelchair to see if changes to the wheelchair may be needed to provide sufficient stability after adding a cushion.

 **The integrity of your skin can be affected by many aspects of your daily life and medical condition, including the use of this product. Be sure to follow any skin care regimens established by your clinician. Consumers of this product should make sure their skin is inspected routinely for changes as directed by their clinician. Failure to do so could result in serious injury or death.**

Selecting the Proper Seating Product

You should consult with a licensed clinician (i.e. Physician or therapist) trained in wheelchair seating and positioning before selecting any seating and positioning product. This will help ensure you receive the right product for your specific needs.

IV. WHEELCHAIR USE & CONFIGURATION

A. Curbs, Steps and Stairs

WARNING

WARNING: Do not ascend or descend more than 1 or 2 steps/stairs in your wheelchair. If you fail to heed these warnings damage to your chair, a fall, tip-over or loss of control may occur and cause severe injury or death to the rider or others.

- A. Do not try to climb or descend a curb or step alone UNLESS you are a skilled rider of this chair and:
 - a. You can safely do a "wheelie" and:
 - i. You are sure you have the strength and balance to do so.
 - ii. Unlock and rotate anti-tip tubes up, out of the way, so they do not interfere.
 - iii. Do not try to climb or descend a high curb or step (more than 4 inches high) UNLESS you have help. Doing so may cause your chair to exceed its balance point and tip over.
 - iv. Go straight up and straight down a curb or step. If you climb or descend at an angle, a fall or tip-over is likely.
 - v. Be aware that the impact of dropping down from a curb or step can damage your chair or loosen fasteners.
- B. Do not ascend or descend stairs in your wheelchair. Ascending and descending stairs can be challenging and may result in a fall that could result in damage to your wheelchair, serious injury or death to the user and/or those assisting.

IV. WHEELCHAIR USE & CONFIGURATION

B. Transfers

WARNING

WARNING: There are many varied appropriate transfer techniques that depend on your level of disability and your unique individual functional capabilities. You should be trained by a clinical professional in the proper transfer technique for you. Assure that you can safely transfer on your own before attempting independent transfers. Be aware there is likely a point during the transfer when the wheelchair seat is not below you. Failure to perform a transfer properly can result in a fall that could result in severe injury or death.

NOTE: Before transferring out of your wheelchair every caution should be taken to reduce the gap between the two surfaces.

1. Engage the wheel locks to lock the rear wheels.
2. Rotate the casters forward to increase the wheelbase of the wheelchair.
3. Remove or swing away the footrests.
4. Have someone assist you unless you are well experienced and able in transfers.

C. Transit Use

WARNING

WARNING: Never use your wheelchair as a seat in a motor vehicle unless it has been equipped with the transit option. It is always safest to transfer out of your wheelchair onto a seat in a motor vehicle with appropriate seat and shoulder belts. Using your wheelchair as a seat in a motor vehicle, if not equipped with the transit option, could result in serious injury or death.

The wheelchair equipped with the transit option has been tested to and passed the RESNA WC-4, Section 19: Wheelchairs used as seats in motor vehicles and ISO 7176-19 Wheelchairs -- Part 19: Wheeled mobility devices for use as seats in motor vehicles. RESNA and ISO standards are designed to test the structural integrity of the wheelchair as a seat for use in a motor vehicle. These standards are also designed to create compatibility with Wheelchair Tie-down and Occupant Restraint Systems (WTORS).

Not every wheelchair configuration is compatible with the transit option. Ki Mobility manages the configuration and does not offer this wheelchair except in compatible configurations. If you make changes to your wheelchair after you receive it, you should contact your wheelchair provider or Ki Mobility to make sure it is appropriate to continue to use your wheelchair as a seat in a motor vehicle.

Crashworthy Pelvic belt restraints and instructions for use are available from Ki Mobility Customer Service to be used in conjunction with a vehicle anchored shoulder belt.

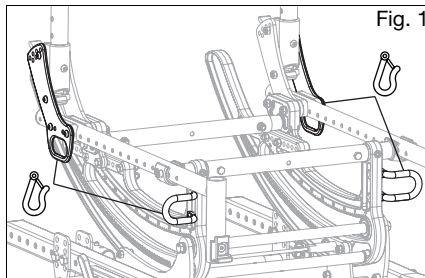
Aftermarket seating may have replaced the original equipment seat and back support designed and tested as part of the transit option. Your wheelchair provider should tell you if the seating they provided is original equipment or replacement aftermarket seating. A complete system of wheelchair frame, seating, Wheelchair Tie-down and Occupant Restraint Systems and a properly equipped motor vehicle, that have all complied with the standards mentioned in this section, should be in place before using a wheelchair equipped with the transit option as a seat in a motor vehicle.

When using your wheelchair as a seat in a motor vehicle you should always observe the following instructions:

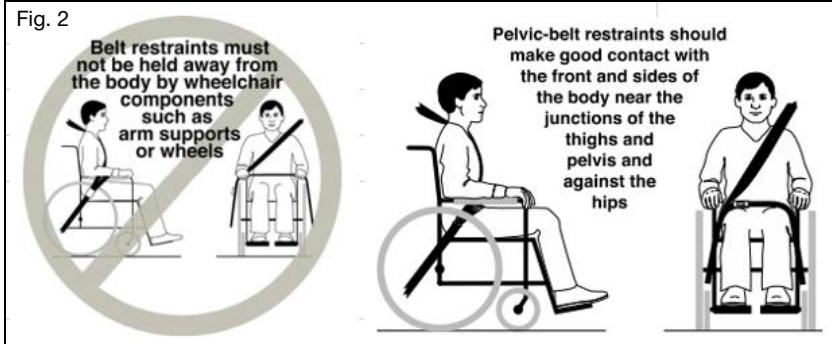
IV. WHEELCHAIR USE & CONFIGURATION

C. Transit Use (Continued)

- The rider must be in a forward-facing position.
- The rider and all items carried must not weigh more than 300 lbs (136 kg).
- Some configurations of this model may exceed 28.5 in. (724 mm) in width which is the minimum width for lift platforms for ADA compliant vehicles.
- In case of heavy and oversized wheelchairs, transportation in larger vehicles is recommended when the option exists.
- Backpacks and pouches should be removed and secured separately in the motor vehicle. In the event of an accident these items can become dangerous projectiles, which may injure or kill you or other occupants of the motor vehicle.
- The rider must use a Wheelchair Tie-down and Occupant Restraint System that complies with RESNA WC-4, Section 18: Wheelchair tie-down and occupant restraint systems for use in motor vehicles or ISO 10542-1 Technical systems and aids for disabled or handicapped persons -- Wheelchair tie-down and occupant-restraint systems -- Part 1: Requirements and test methods for all systems.
- Attach the wheelchair tie-downs to the four securement points (two front, two rear) on the wheelchair with the transit option (Fig. 1) in accordance with the wheelchair tie-down manufacturer's instructions and RESNA WC-4, Section 18 or ISO 10542-1, - Part 1.
- Use only designated securement points to secure your wheelchair to a vehicle.



- Attach occupant restraints in accordance with the occupant restraint manufacturer's instructions and RESNA WC-4, Section 18 or ISO 10542-1, Part 1.
- Both pelvic and shoulder belt restraints should be used to reduce the possibility of head and chest impacts with vehicle components.



IV. WHEELCHAIR USE & CONFIGURATION

C. Transit Use (Continued)

WARNING

WARNING: Ensure restraint release mechanisms will not be activated by wheelchair components during a crash. Activation of restraint release mechanisms during a crash may result in serious injury or death.



Use of headrests, lateral supports or other positioning accessories should not be used, or relied on as an occupant restraint. These belts should be positioned so that they don't interfere with the proper positioning of crash-worthy belt restraints and should not be relied on for occupant protection in crash situations unless the postural belt has been designed to comply with, and perform to, requirements 4.6, 5.2, 5.3 and 6.1 of RESNA WC-4.

WARNING

WARNING: Back supports with adjustable incline angles should not be reclined more than 30 degrees to vertical during vehicle travel unless necessary for the postural and medical needs of the occupant. After being fitted and adjusted, the top of the back support surface should be within 4 inches (10.2 cm) of the top of your shoulder. Failure to properly adjust backs support and incline angles may result in serious injury or death.

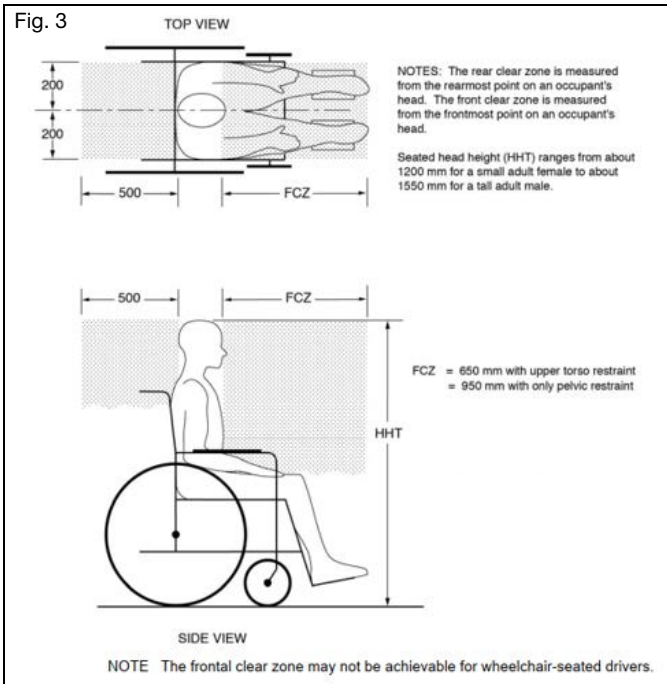
- Any aftermarket seating should be tested to comply with RESNA WC-4, Section 20 or ISO 16840-4 - Part 4.
- Attach the seating to the wheelchair frame in accordance with the seating manufacturer's instructions and RESNA WC-4, Section 20 or ISO 16840-4 - Part 4.
- Accessories such as trays, oxygen tank holders, oxygen tanks, IV poles, back packs, pouches and items not manufactured by Ki Mobility should be removed and secured separately in the motor vehicle. In the event of an accident, these items can become dangerous projectiles which may injure or kill you or other occupants of the motor vehicle.
- If the wheelchair has been involved in an accident, you should not continue to use it, as it may have suffered fatigue, or damage, that may not be visible.

IV. WHEELCHAIR USE & CONFIGURATION

C. Transit Use (Continued)

⚠️ WARNING ⚠️

WARNING: If interior components of the vehicle cannot be removed from the clear zone (Fig. 3) especially those near the occupants head during a side impact or vehicle rollover, they should be padded with material that complies with FMVSS 201. Failure to pad interior components in the clear zone may result in serious injury or death.



IV. WHEELCHAIR USE & CONFIGURATION

C. Transit Use (Continued)

WARNING

WARNING: Remove and secure any items temporarily attached to the chair while in a motor vehicle. Leaving items attached to the vent tray, battery tray or oxygen tank holder and not securing them properly and separately in a motor vehicle could result in these items becoming dangerous projectiles in the event of an accident. Additionally, oxygen tanks contain a highly pressurized gas that vigorously accelerates combustion. These factors could lead to serious injury or death to the user and/or anyone else in the vehicle.

- When using this wheelchair as a seat in a motor vehicle, you must remove any items attached to the vent tray, battery tray or oxygen tank holder and properly secure them separately.
- If the chair is equipped with an oxygen tank holder never use the wheelchair as a seat in a motor vehicle.

NOTE: To obtain copies of RESNA or ISO standards please contact the standards organizations below:

RESNA

www.resna.org

ANSI/RESNA Standards:

RESNA WC-4, Section 18:

Wheelchair tie-down and occupant restraint systems for use in motor vehicles.

RESNA WC-4, Section 19:

Wheelchairs used as seats in motor vehicles.

RESNA WC-4, Section 20:

Wheelchair seating systems for use in motor vehicles.

International Organization for Standardization (ISO)

www.iso.org

ISO Standards:

ISO 10542-1 Technical systems and aids for disabled or handicapped persons -- Wheelchair tie-down and occupant-restraint systems -- Part 1:

Requirements and test methods for all systems.

ISO 16840-4 Wheelchair seating – Part 4:

Seating systems for use in motor vehicles.

ISO 7176-19 Wheelchairs – Part 19:

Wheeled mobility devices for use as seats in motor vehicles.

U.S. Department of Transportation

FMVSS 201

www.nhtsa.gov

Occupant Protection in Interior Impact - Upper Head Impact Protection

Transit Test Results

Rating for lateral stability is Good.

Type of restraint: Three Point

Rating for ease of proper positioning a three point belt is Excellent.

Rating for the degree to which proper proper three point belt can be achieved is 16/16.

IV. WHEELCHAIR USE & CONFIGURATION

D. Cushion Use

WARNING

WARNING: Avoid sitting for long periods of time without a proper wheelchair cushion. Sitting for long periods of time without a proper wheelchair cushion could cause pressure ulcers which could lead to serious infections or even death.



Secure the cushion before use or transfer. Failure to secure a cushion can cause it to slide out during use or transfers, resulting in a fall or loss of control. A fall or loss of control could result in damage to your chair or in serious injury or death to you or others.

- a. This wheelchair was designed to be used with a proper wheelchair cushion.
- b. The standard sling upholstery is provided with hook and loop self fastening strips. The cushion being used should have hook type fasteners that can engage the loop of the seat sling to keep the cushion from sliding out from under you. Ensure the cushion is securely attached before transferring or sitting in the wheelchair.
- c. A standard seat sling may not have been provided with your chair. Check with your wheelchair provider if an aftermarket replacement to the original equipment sling has been provided. If so, make sure you follow the instructions for use provided by the aftermarket manufacturer.

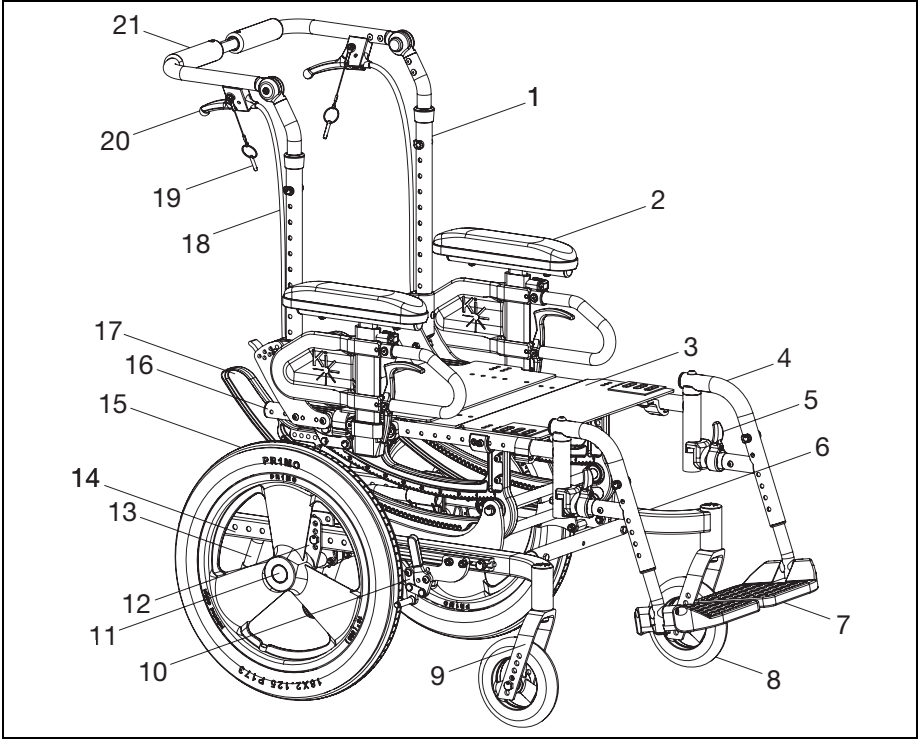
E. Transporting of Unoccupied Wheelchair

Ki Mobility wheelchairs are generally suitable for transport in motor vehicles and airplanes. Wheelchairs should always be secured (specific instructions from carrier required). Depending on wheelchair configuration, any particular wheelchair may be too large for transport in some motor vehicles or airplanes. Refer to other sections on how to remove options and accessories to decrease size for stowing.

IV. WHEELCHAIR USE & CONFIGURATION

F. Your CR45 & Its Parts

1. Inspect and maintain your chair using information found in the Maintenance and Care section.
2. If you detect a problem, contact your authorized supplier immediately.



- | | |
|----------------------------|-----------------------|
| 1. Back Cane | 12. Axle Plate |
| 2. Height Adjustable T-Arm | 13. Anti-Tip |
| 3. Seat Pan | 14. Base Tube |
| 4. Swing Away Hanger | 15. Rear Wheel |
| 5. Swing Away Lever | 16. Seat Tube |
| 6. Caster Arm | 17. Rotary Frame |
| 7. Footrest | 18. Tilt Cable |
| 8. Caster Wheel | 19. Trigger Lock Pin |
| 9. Caster Fork | 20. Tilt Lock Trigger |
| 10. Wheel Lock | 21. Push Handle |
| 11. Quick Release Axle | |

CR45 Max User Weights			
MD Name	Serial Prefix	Std Max User Weight (LBS)	Std Max User Weight (KG)
CR45	CR45	300	136

IV. WHEELCHAIR USE & CONFIGURATION

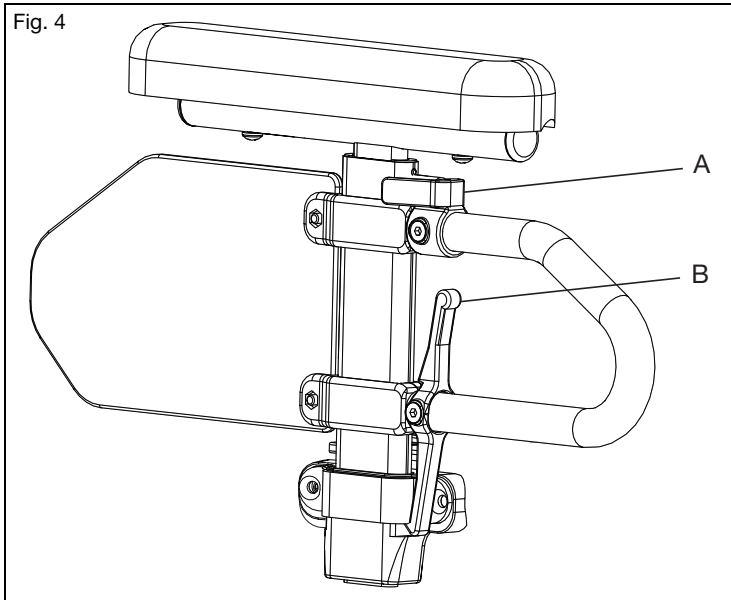
G. Height Adjustable T-Arm

WARNING

WARNING: These arms offer only a lock against rotation and are designed to bear a downward force only. They will remove completely if pulled up on and cannot be used to lift or otherwise handle the chair. Failure to comply with the instructions above may result in the armrest accidentally disconnecting from the wheelchair and result in a fall or loss of control and may cause serious injury or death.

How to Use Your Armrest

1. Installation
 - a. Slide the outer armpost into the receiver mounted to the wheelchair frame.
 - b. The armrest will automatically lock into place. Check to make sure the locking lever is as shown (Fig. 4:B).
2. Height Adjustment
 - a. Rotate the release lever (Fig. 4:A).
 - b. Slide the armrest pad up or down to the desired height.
 - c. Return the lever to the locked position against the arm post.
 - d. Push the arm pad until the upper arm locks firmly into place. Check to make sure the locking lever is as shown (Fig. 4:A).
3. Removing the Armrest
 - a. Squeeze the release lever (Fig. 4:B) and remove the armrest.



IV. WHEELCHAIR USE & CONFIGURATION

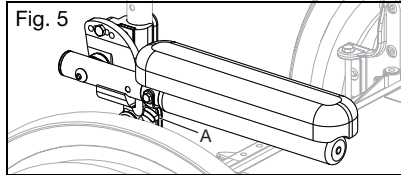
H. Angle Adj. Locking Extendable Flip Up Armrest

⚠️ WARNING ⚠️

WARNING: These arms offer only a lock against rotation and are designed to bear a downward force only. They will remove completely if pulled up on and cannot be used to lift or otherwise handle the chair. Failure to comply with the instructions above may result in the armrest accidentally disconnecting from the wheelchair and result in a fall or loss of control and may cause serious injury or death.

How to Use Your Armrest

1. Flip the Armrest Up
 - a. Press the release lever (Fig. 5:A) up to release the armrest.
 - b. Swing the released armrest up.
2. Return the Armrest to Operating Position
 - a. To return the armrest to the operating position, push the armrest down until the lever clicks and locks.



I. Swing Away Hangers

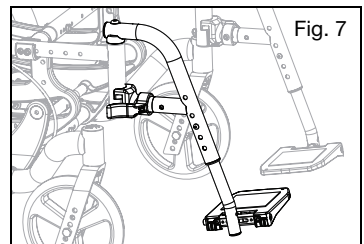
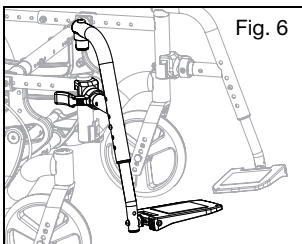
⚠️ WARNING ⚠️

WARNING: Ensure the hangers are locked into place before using or riding the wheelchair. Unlocked hangers during use can cause a fall resulting in serious injury or death.

⚠️ Avoid tripping or falling during a transfer. Ensure your feet do not get caught in the space between the footrests and avoid putting weight on the footrests as the chair may tip forward and cause a fall resulting in a serious injury or death.

How to Use Your Hangers

1. Installation
 - a. Place swing away pivot saddle into the receiver on the front frame tube with the footrest facing either inward or outward from the frame (Fig. 6).
 - b. Rotate the footrest so it aligns with the frame and locks into place in the latch block (Fig. 7).



IV. WHEELCHAIR USE & CONFIGURATION

I. Swing Away Hangers (Continued)

2. Swinging the Footrest Away
 - a. Push the release latch toward the frame.
 - b. Rotate the footrest outward or inward as desired.
3. Removal
 - a. To remove the footrest, push the release latch toward the frame.
 - b. Lift the footrest straight upward to remove. You may also swing the footrest inward or outward before lifting it off.

J. Swing Away Hangers with 4-Way Latch



WARNING

WARNING: Ensure hangers are locked in place before using wheelchair. Unlocked hangers while using the wheelchair could cause a fall resulting in serious injury or death.

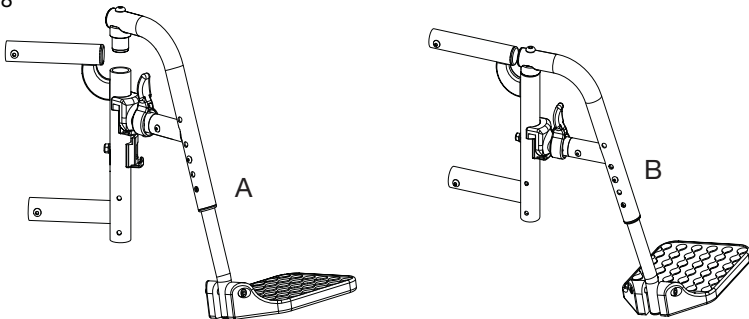


Avoid tripping or falling during a transfer. Ensure your feet do not get caught in the space between the footrests and avoid putting weight on the footrests as the chair may tip forward and cause a fall resulting in a serious injury or death.

How to Use Your Hangers with 4-Way Latch

1. Installation
 - a. Place the swing away pivot saddle into the receiver on the front frame tube (Fig. 8:A)
 - b. Rotate the footrest so that it aligns with the frame and locks into place in the latch block (Fig. 8:B).
2. Swinging the Footrest Away
 - a. Push or pull on the release latch.
 - b. Rotate the footrest outward or inward as desired.
3. Removal
 - a. To remove the footrest, push or pull the release latch.
 - b. Lift the footrest straight upward to remove. You may also swing the footrest inward or outward before lifting it off.

Fig. 8



IV. WHEELCHAIR USE & CONFIGURATION

K. Extension Tubes

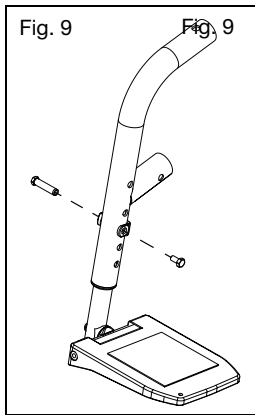


WARNING

WARNING: Ensure hangers are locked into place before using or riding the wheelchair. Unlocked hangers during use can cause a fall resulting in serious injury or death.

How to Adjust the Extension Tubes

1. Remove the mounting fasteners from each side of the hanger tube.
2. Slide the footrest extension tube to the desired height.
3. Line up the holes and reassemble the fasteners into the desired hole through the hanger and the extension tube.
4. Repeat steps 1 - 3 on opposite side (Fig. 9).



L. Elevating Leg Rest



WARNING

WARNING: Ensure hangers are locked in place before using wheelchair. Unlocked hangers while using the wheelchair could cause a fall resulting in serious injury or death.



Avoid tripping or falling during a transfer. Ensure your feet do not get caught in the space between the footrests and avoid putting weight on the footrests as the chair may tip forward and cause a fall resulting in a serious injury or death.

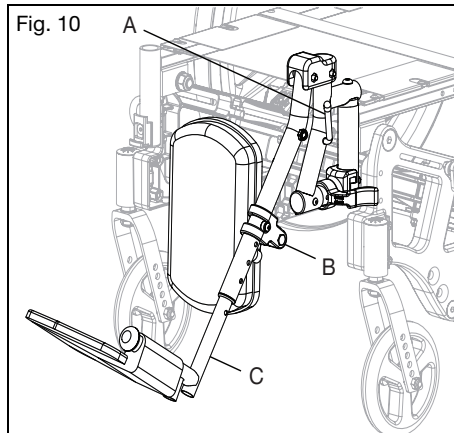
How to Use the Elevating Leg Rest

1. Installing the Elevating Leg Rest
 - a. Place the swing away pivot saddle into the receiver on the front frame tube with the footrest facing either inward or outward from the frame. Similar to the swing away footrest pictured in Fig. 8.
 - b. Rotate the footrest so it aligns with the frame until it locks into place in the latch block.
2. Removing the Elevating Leg Rest
 - a. To remove the footrest, push or pull the release lever.
 - b. Rotate the footrest outward and lift.

IV. WHEELCHAIR USE & CONFIGURATION

L. Elevating Leg Rest (Continued)

3. Adjusting the Extension Tube
 - a. Remove the mounting bolt that is threaded into the leg rest tube in the center of the pad bracket (Fig. 10:C). In some circumstances, this bolt may be inserted in the tube below the pivot bracket.
 - b. Slide the footrest extension tube to the desired height.
 - c. Line up the holes and replace the bolt through the leg rest tube and the extension tube.
 - d. Repeat steps a - c on opposite side.
4. Adjusting the Angle of the Leg Rest
 - a. To raise, lift up on the rear of the extension tube (Fig. 10:A). The rod will slide through the ratchet in this direction.
 - b. To lower, firmly hold the leg from behind the extension tube (Fig. 10:A). Pull forward on the lever (Fig. 10:B) and while holding the lever, lift the leg rest. Releasing the lever will cause the leg rest to lock into position.



M. Pro Elevating Leg Rest

⚠ WARNING ⚠

WARNING: Ensure hangers are locked in place before using wheelchair. Unlocked hangers while using the wheelchair could cause a fall resulting in serious injury or death.

⚠ Avoid tripping or falling during a transfer. Ensure your feet do not get caught in the space between the footrests and avoid putting weight on the footrests as the chair may tip forward and cause a fall resulting in a serious injury or death.

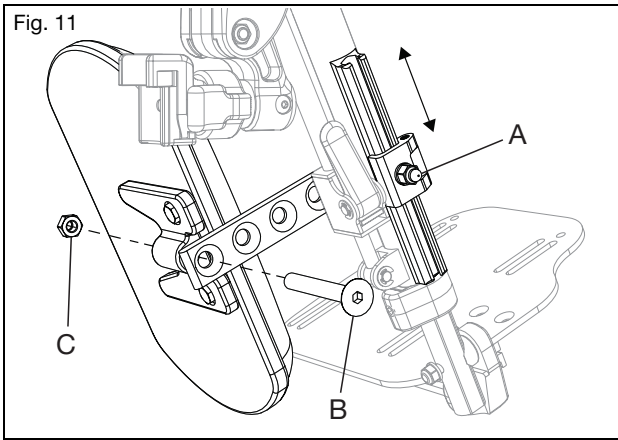
How to Use the Pro Elevating Leg Rest

1. Installing the Pro Elevating Leg Rest
 - a. Place the swing away pivot saddle into the receiver on the front frame tube with the leg rest facing either inward or outward from the frame. Similar to the swing away footrest pictured in Fig. 8.
 - b. Rotate the leg rest so that it aligns with the frame and locks into place in the latch block.

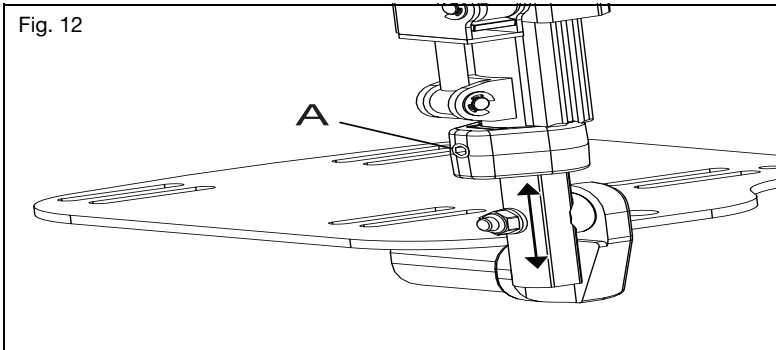
IV. WHEELCHAIR USE & CONFIGURATION

M. Pro Elevating Leg Rest (Continued)

2. Adjusting the Height of the Calf Pad
 - a. Loosen nut (Fig. 11:A) using a 10mm wrench.
 - b. Slide the calf pad arm up or down to the desired location.
 - c. Retighten the nut.
3. Adjusting the Depth of the Calf Pad
 - a. Remove the screw (Fig 11:B) and nut (Fig. 11:C) on the calf pad arm using a 5mm Allen wrench and a 13mm wrench.
 - b. Pick the desired location based on the four predrilled holes and reinstall the screw and nut.



4. Adjusting the Length of Footrest
 - a. Loosen the set screw (Fig. 12:A) with a 4mm Allen wrench.
 - b. Slide the extension tube in or out to get to the desired length and secure by tightening the set screw.



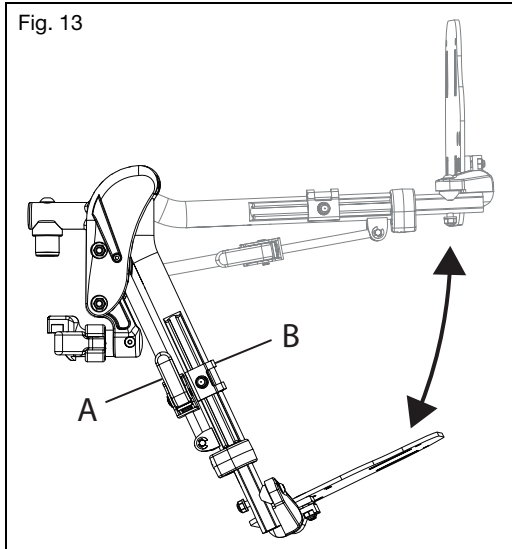
IV. WHEELCHAIR USE & CONFIGURATION

M. Pro Elevating Leg Rest (Continued)

5. Raising/Lowering the Pro Elevating Leg Rest

Remove the Pro ELR from the chair or remove weight from the Pro ELR while lowering to avoid a sudden drop when the lever lock is pushed. The calf pad can also swing outward to clear the front of the chair during certain movements if necessary.

- a. To raise the Pro ELR, lift the leg rest tube (Fig. 13:A) to the desired angle of elevation.
- b. To lower the Pro ELR, press and hold the lever lock (Fig. 13:B) while pushing the leg rest tube (Fig. 13:A) down.
- c. Retighten the nut.



6. Removing the Pro Elevating Leg Rest


- a. To remove the leg rest, push or pull the release latch.
- b. Lift the leg rest straight upward to remove. You may also swing the leg rest inward or outward before lifting it off.

IV. WHEELCHAIR USE & CONFIGURATION

N. Pediatric Elevating Leg Rest

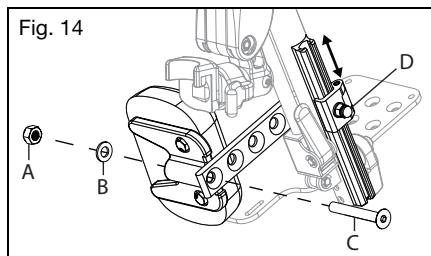
WARNING

WARNING: Ensure hangers are locked in place before using wheelchair. Unlocked hangers while using the wheelchair could cause a fall resulting in serious injury or death.

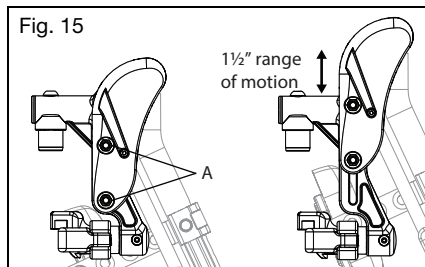
 **Avoid tripping or falling during a transfer. Ensure your feet do not get caught in the space between the footrests and avoid putting weight on the footrests as the chair may tip forward and cause a fall resulting in a serious injury or death.**

How to Use the Pediatric Elevating Leg Rest

1. Installing the Pediatric Elevating Leg Rest
 - a. Place the swing away pivot saddle into the receiver on the front frame tube with the leg rest facing either inward or outward from the frame. Similar to the swing away footrest pictured in Fig. 8.
 - b. Rotate the leg rest so that it aligns with the frame and locks into place in the latch block.
2. Adjusting the Height of the Calf Pad
 - a. Loosen nut (Fig. 14:D) using a 10mm wrench.
 - b. Slide the calf pad arm up or down to the desired location.
 - c. Retighten the nut.
3. Adjusting the Depth of the Calf Pad
 - a. Remove the screw (Fig. 14:C), washer (Fig. 14:B) and nut (Fig. 14:A) on the calf pad arm using a 5mm Allen wrench and a 13mm wrench.
 - b. Pick the desired location based on the four predrilled holes and reinstall the screw and nut.



4. Adjusting the Knee Height
 - a. Use two 10mm socket wrenches to loosen the nuts (Fig. 15:A) on the cover.
 - b. Adjust the knee height to the desired setting.
 - c. Retighten the nuts to secure the knee height.



IV. WHEELCHAIR USE & CONFIGURATION

N. Pediatric Elevating Leg Rest (Continued)

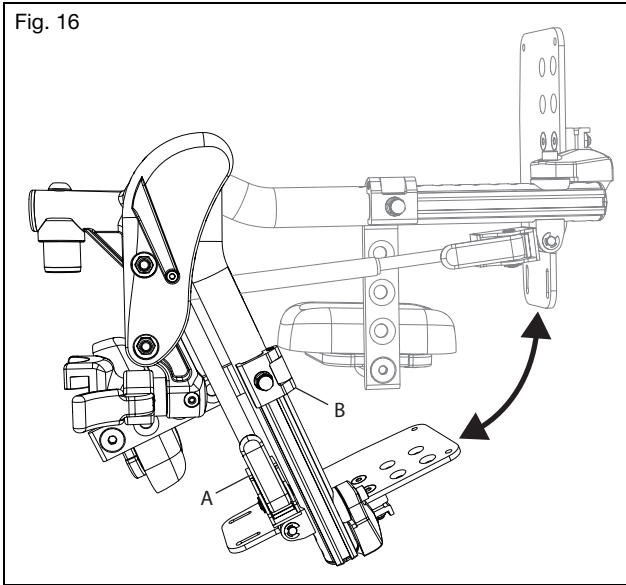
5. Using the Pediatric Elevating Leg Rest

Remove the Pediatric Pro ELR from the chair or remove weight from the Pediatric Pro ELR while lowering to avoid a sudden drop when the lever lock is pushed.

- a. To raise, lift the leg rest tube (Fig. 16:A) to the desired angle of elevation.
- b. To lower, press and hold the lever lock (Fig. 16:B) while pushing the leg rest tube (Fig. 16:A) down.

6. Removing the Pediatric Elevating Leg Rest

- a. To remove the leg rest, push or pull the release latch.
- b. Lift the leg rest straight upward to remove. You may also swing the leg rest inward or outward before lifting it off.



IV. WHEELCHAIR USE & CONFIGURATION

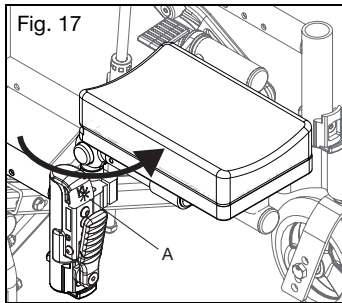
O. Residual Limb Support

⚠️ WARNING ⚠️

WARNING: Do not apply body weight or use the RSL as a support when transferring. Applying weight to the RLS may result in chair instability causing a fall and result in serious injury or death.

How to Use Your Residual Limb Support

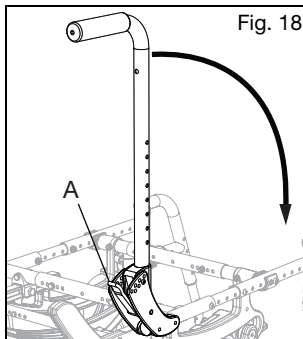
1. Installation
 - a. Place RLS pivot saddle into the receiver on the front tube frame (Fig. 17:A).
 - b. Rotate the RLS until it aligns with the frame and locks into place.
 - c. Adjust clamps under the RLS pad to proper vertical height for the user.
 - d. Adjust angle of RLS pad to proper angle for the end user.
2. Removal
 - a. To remove the RLS, push the release lever towards the chair.
 - b. Lift the RLS straight upward to remove. You may also swing the RLS inward or outward before lifting it off.



P. Backrest

How to Fold the Backrest Down

1. Push the levers (Fig. 18:A) toward the front of the chair to disengage the latches. If the backrest seating is attached, both latches must be disengaged simultaneously in order to allow the backrest to fold.
2. Push forward on the backrest to rotate it downward. Once it begins to rotate forward the latch levers may be released.



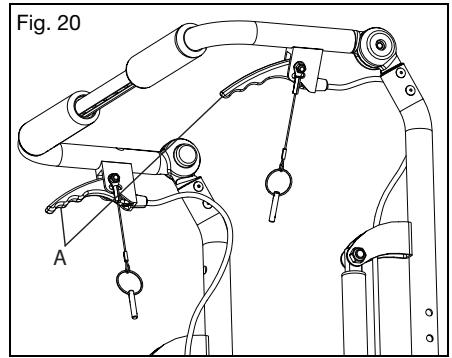
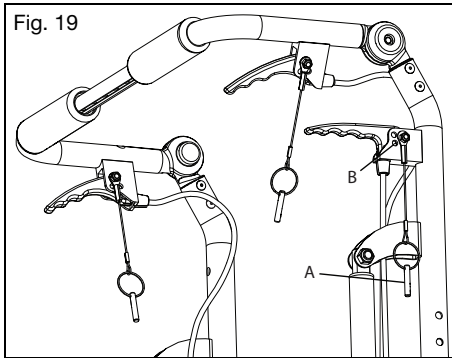
IV. WHEELCHAIR USE & CONFIGURATION

Q. Reclining Backrest

How to Recline and Incline the Backrest

NOTE: Fig. 19 is showing the hand tilt configuration. Fig. 20 is showing the foot tilt configuration.

1. To unlock the system prior to the recline or incline adjustment, remove the locking pin (Fig. 19:A) from the locking hole (Fig. 19:B) on each recline trigger.
2. Ensure wheel locks are engaged and the wheelchair is on a level surface.
3. Grip the handles securely and slowly depress both reclining triggers (Fig. 20:A) at the same time to release the gas cylinders. This will allow you to adjust the backrest position as follows:
 - a. Reclining - to open the angle of the backrest relative to the seat frame, or recline, apply downward force on the gas springs.
 - b. Inclining - return to the upright position by applying force upward and pushing the backrest towards the front of the backrest.
4. Once the desired backrest recline angle has been achieved, slowly release both of the reclining triggers.
5. To lock the system, insert the locking pin into the locking pin hole. It is recommended that you always lock both reclining backrest triggers when you are done positioning the patient.




IV. WHEELCHAIR USE & CONFIGURATION

R. Tilt Mechanism

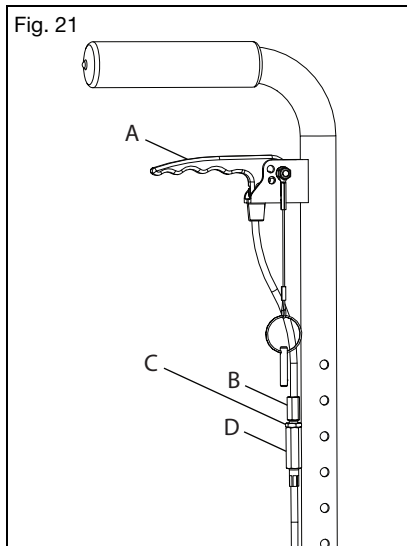
WARNING

WARNING: Do not leave an occupied chair unattended with the triggers secured in an unlocked position. Leaving someone in a chair unattended with the triggers secured in an unlocked position could cause a tip-over resulting in serious injury or death.

 Ensure hands are clear from moving components along the side of the chair when tilting to avoid potential pinch points. Not avoiding potential pinch points may result in injury.

How to Use the Hand Operated (Trigger) Tilt

1. Tilting the Seat Frame
 - a. Squeeze the trigger (Fig. 21:A).
 - b. While keeping the triggers depressed, rotate the seat frame to the desired position.
 - c. Release the trigger to lock into place.
2. Adjusting the Tilt Cable
 - a. Unlock the jam nut (Fig. 21:C) from the cable adjuster body (Fig. 21:D) using a 10mm and 3/8" open ended wrench.
 - b. Thread the cable adjuster (Fig. 21:B) in or out until the slack in the cable is eliminated, but also so the cogs are still fully seated in the teeth of the rotary frames.
 - c. Verify the function of the cable. The tilt mechanism should lock at all locations and cogs should not drag along the teeth at any location. If the cogs drag or if there is excessive play in the triggers, the cable adjuster must be unthreaded more. If the cog is disengaged from the teeth at all, the adjuster must be threaded onto the body further.
 - d. Once the cable is adjusted and the function is verified, lock the jam nut against the cable adjuster body by tightening the nut only, not the adjuster or the adjuster body.



IV. WHEELCHAIR USE & CONFIGURATION

R. Tilt Mechanism (Continued)

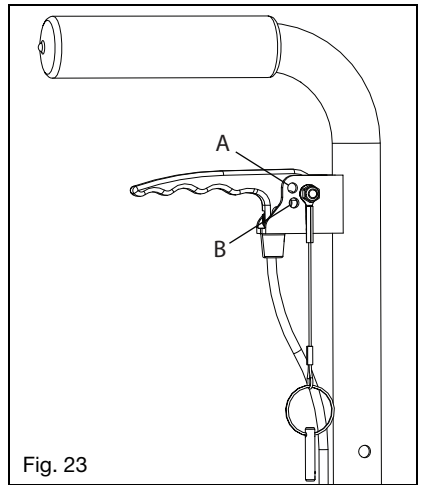
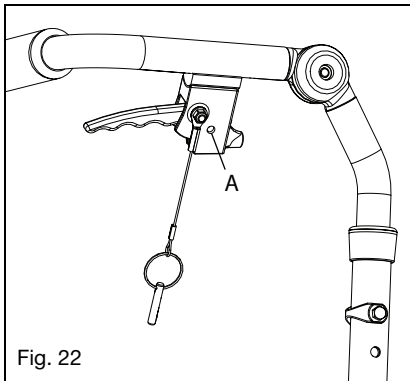
3. Locking the Triggers

- a. Determine which style back canes and trigger were provided with the chair by checking the images in Fig. 22 & 23.
- b. Ensure the chair is locked by pushing on the back handles.
- c. Insert the pin, attached to the trigger by a lanyard, into the hand trigger hole (Fig. 22:A & 23:A).
- d. Ensure the trigger no longer releases the tilt locks by gently squeezing the trigger and pushing on the back canes to tilt the chair.

4. Securing the Triggers in the Unlocked Position

The triggers are secured in the unlocked position only when the center of gravity is being adjusted.

- a. Determine which style back canes and trigger were provided with the chair by checking the images in Fig. 22 & 23.
- b. Squeeze the triggers to unlock the tilt mechanism while holding the back canes and controlling the the tilt position.
- c. For the style shown in Fig. 23, lock the trigger in the unlocked position by inserting the pin into the hand trigger hole (Fig. 23:B).
- d. Allow the seat frame to tilt until it comes to rest in a stable position.

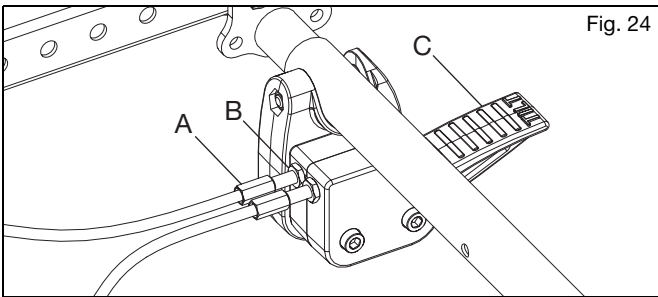


IV. WHEELCHAIR USE & CONFIGURATION

R. Tilt Mechanism (Continued)

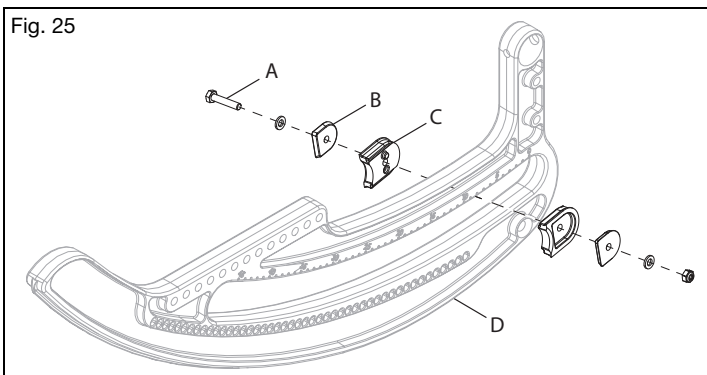
Using the Foot Operated Tilt

1. Tilting the Seat Frame
 - a. Depress the foot pedal (Fig. 24:C).
 - b. Rotate the seat frame to the desired position while keeping the pedal depressed.
 - c. Release the pedal to lock into place.
2. Adjusting the Linkage
 - a. Use two 10mm wrenches to loosen the jam nut (Fig. 24:B) while holding the adjuster (Fig. 24:A) in place. Repeat on the opposite side.
 - b. Adjust the cable by turning the adjusters until the desired tension is obtained. Ensure the actuators on the mech locks are not being actuated while the pedal is released and the mech locks slide freely when the pedal is depressed.
 - c. Once the desired tension is obtained and tested to be functioning properly, hold the adjusters in place with the wrench and tighten the jam nut. Repeat on the opposite cable.



Using the Tilt Stops

1. Place the tilt stop pads (Fig. 25:A) on both sides of each rotary frame (Fig. 25:B) at the desired location. Pads should nest together.
2. Place the thrust plates (Fig. 25:C) into the pockets on the pads.
3. Insert and tighten the screw (Fig. 25:D) with the nut and the washer to lock into place.
4. To change the location of the tilt stops, remove the tilt stops and reassemble according to the instructions above at the new desired location.



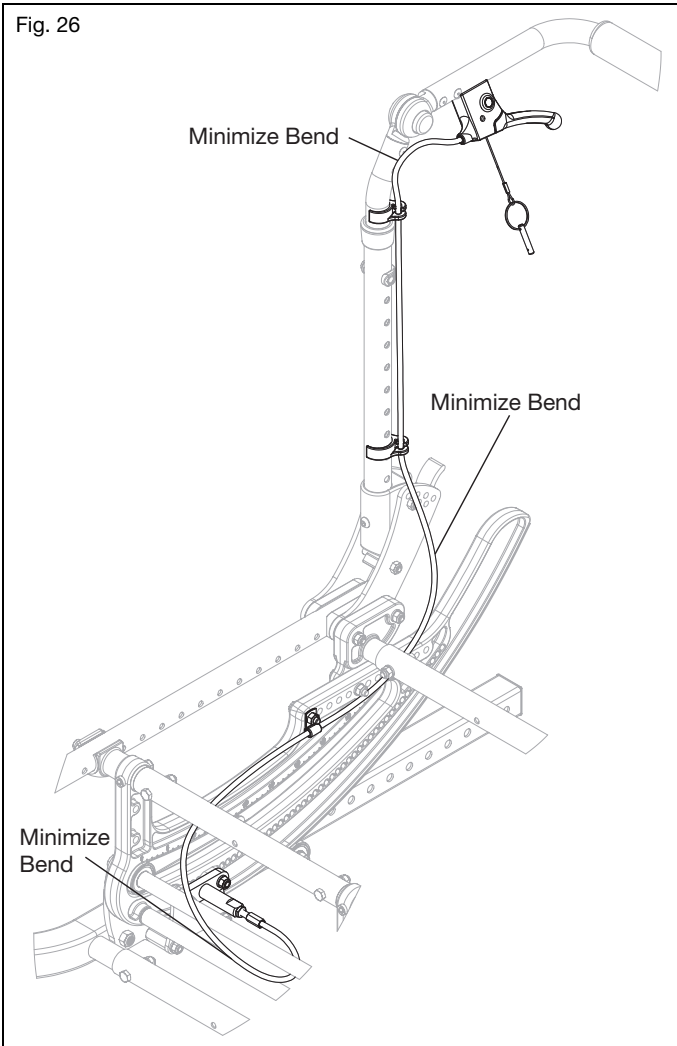
IV. WHEELCHAIR USE & CONFIGURATION

R. Tilt Mechanism (Continued)

Cable Maintenance

Cable actuated mechanisms require periodic maintenance (See Fig. 26). Verify the cables are:

- Adjusted properly
- Routed Correctly
- Bends in the cable are minimized to reduce friction.
- Replace the cables if they have any kinks or cannot be adjusted.



IV. WHEELCHAIR USE & CONFIGURATION

S. Rear Wheels

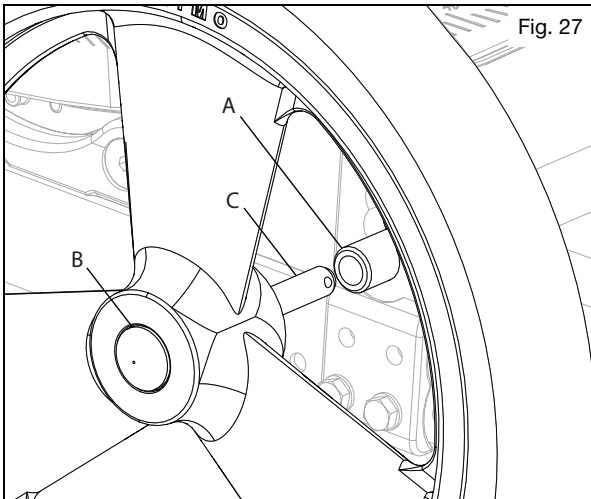
WARNING

WARNING: Before operating chair, assure the push button is completely extended and locking balls on the inside are fully engaged. Failure to do so may result in the wheel falling off, which could cause a fall or tip-over resulting in serious injury or death to you or others.

How to Use Your Rear Wheels

1. Installing the Wheels

- a. Push in the quick release button (Fig. 27:B) on the axle (Fig. 27:C) to allow the locking balls to retract. Make note of the difference between the extended and depressed position of the axle release button and its effect on the locking balls on the other end of the axle.
- b. Insert the axle into the bearing housing on the wheel if it's separate.
- c. Push on the quick release button again and slide the axle into the axle sleeve (Fig. 27:A).
- d. Release the button to lock the axle in sleeve. If the release button does not fully extend and the locking balls do not move into the locked position after releasing the button, the axle length needs to be adjusted.
- e. If the wheel does not fit, try installing it on the opposite side.



2. Removing the Wheels


- a. Hold the wheel close to the hub and push the button in on the outside end of the axle.
- b. While still holding the button, pull the wheel and the axle out of the axle sleeve.

IV. WHEELCHAIR USE & CONFIGURATION

T. Wheel Locks

WARNING

WARNING: Underinflated or worn tires may cause your wheel locks to not function properly. Failure of the wheel locks to hold your chair could cause a loss of control or fall resulting in serious injury or death.

 **Wheel locks are not to be used as brakes to slow or stop your wheelchair. Using a wheel lock as a brake could cause loss of control or a fall resulting in serious injury or death.**

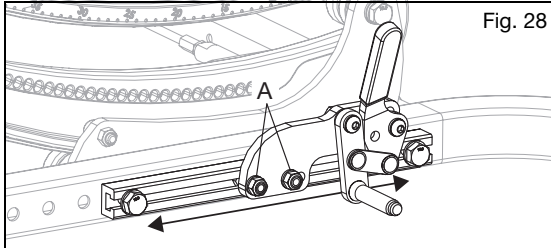
Wheel Lock Operation

1. Wheel lock operation is based on the lock style your chair is equipped with. Engagement of the wheel lock bar to tire is done by pushing or pulling on the wheel lock handle to fully engage wheel lock bar to tire.
2. To disengage wheel lock move in opposite direction.

How to Adjust Your Wheel Locks

NOTE: Always loosen and tighten wheel hardware by alternating between the two bolts while loosening/tightening a little at a time. This prevents overclamping on one set of hardware which leads to binding of the fasteners and increased difficulty in removal.

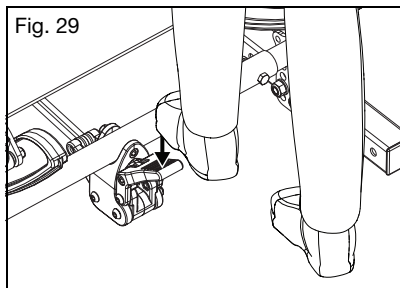
1. Use a 10mm wrench or socket to loosen (do not remove) the hex bolt (Fig. 28:A) beneath the mounting block of the base frame.
2. Slide the wheel lock assembly forward or rearward to achieve proper locking.
3. Retighten the hex bolt.



U. Attendant Foot Lock

How to Use Your Attendant Foot Lock (Fig. 29)

1. To engage, the attendant steps onto the foot lever until it locks down.
2. To disengage, the attendant lifts the foot lever with foot.



IV. WHEELCHAIR USE & CONFIGURATION

V. Anti-Tips

⚠️ WARNING ⚠️

WARNING: Always keep anti-tips in the down position when they are not at risk of interference. Have a clinical or technical professional confirm your anti-tips are installed in the correct position. They can do so by tipping the occupied wheelchair back on to the anti-tips to test that they properly limit the rearward rotation of your wheelchair. If the anti-tips allow your wheelchair to tip to a point where your center of gravity (COG) is vertically aligned with the point where the wheel contacts the ground, the wheelchair is unstable and could result in the wheelchair tipping over. Tipping over could result in damage to your wheelchair, serious injury or death.

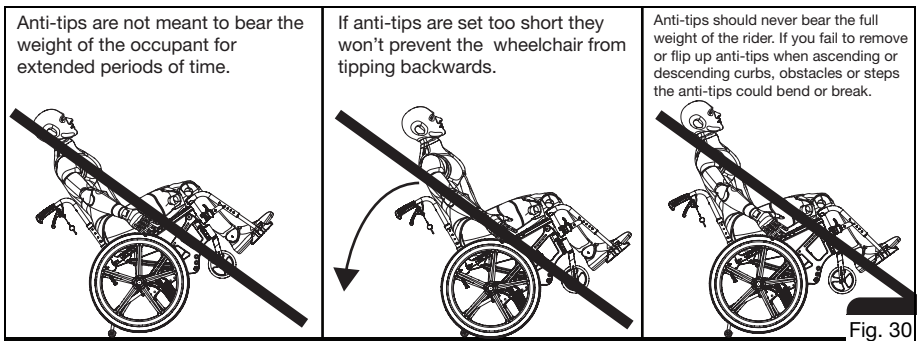
⚠️ **New and experienced wheelchair users switching to a new wheelchair or adjusting the configuration of a current wheelchair should always use anti-tips. If the user has a change in physical capabilities, they should use anti-tips as well. Any change in the user's physical capabilities or wheelchair increases the risk of tipping over backwards. Tipping over backwards could result in damage to your wheelchair, serious injury or death. You should always use anti-tips until you have adapted to the new or adjusted wheelchair.**

⚠️ **Remove or turn the anti-tips up when ascending or descending curbs, obstacles and steps. If the anti-tips are left in the down position when ascending or descending curbs, obstacles and steps, they can become bent or broken. If the anti-tips are bent or broken, they will no longer prevent the wheelchair from tipping over backwards. Tipping over backwards could result in damage to your wheelchair, serious injury or death.**

⚠️ **Using your wheelchair on soft surfaces (including but not limited to sand, loose soil, grass and gravel), uneven grades and ramps can cause anti-tips to lose effectiveness resulting in the wheelchair tipping over backwards. Tipping over backwards could result in damage to your wheelchair, serious injury or death.**

⚠️ **Ki mobility recommends using two anti-tips on your wheelchair. Use of a single anti-tip increases the risk of tipping over backwards. Tipping over backwards could result in damage to your wheelchair, serious injury or death.**

Ki Mobility recommends using anti-tips with your wheelchair. Anti-tips help prevent your wheelchair from tipping over backwards. When adjusted properly, anti-tips provide a significant increase in rearward stability. Use of anti-tips does not guarantee your wheelchair will not tip over. Always remember to reinstall or turn the anti-tips to the down position after they were removed or turned to the up position.

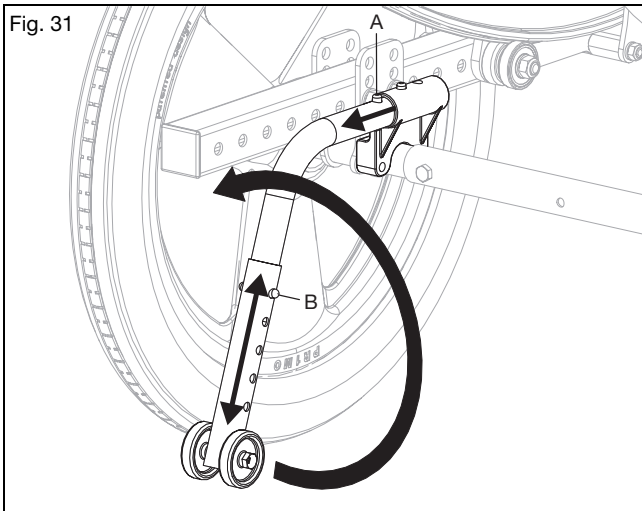


IV. WHEELCHAIR USE & CONFIGURATION

V. Anti-Tips (Continued)

How to Use the Anti-Tips

1. Flipping the Anti-Tips Up
 - a. Depress buttons (Fig. 31:A) on anti-tips.
 - b. Flip anti-tips up until the depressed buttons click into the hole on the bottom of the receiver.
2. Removing the Anti-Tips
 - a. Depress the buttons (Fig. 31:C) on the anti-tips.
 - b. Pull the anti-tip straight back to remove the anti-tip from the receiver.
 - c. To reinstall, press the buttons in and push the anti-tips back into the receivers, aligning the holes in the receiver with the front detent button.
3. Setting for Seat Height
 - a. Depress lower button (Fig. 31:B) on anti-tip.
 - b. Pull anti-tip down or up to the height desired.
 - c. Ensure lower button clicks into one of the height setting holes.
 - d. Repeat for opposite side of chair. Ensure anti-tips on both sides of chair are set up identically.




IV. WHEELCHAIR USE & CONFIGURATION

W. Contact Surfaces

WARNING

WARNING: Handling of wheelchair surfaces with elevated temperatures can result in a potentially hazardous situation which, if not avoided, could result in injury.

 **Do not expose the chair and components to any extreme cold. Extremely cold metal surfaces may result in skin freezing to the surface and resulting in skin damage.**


Be aware that prolonged exposure to direct sunlight or other sources of radiant heat may increase the temperature of surfaces on your wheelchair above recommended limits estimated by standards.

Caretakers should assess patients for adverse reactions on the skin from contact surfaces such as redness, swelling, irritation sensitization, allergy, immune response or other reactions.

X. Oxygen Tank Holder

WARNING

WARNING: Remove and secure any items temporarily attached to the chair while in a motor vehicle. Leaving items attached to the oxygen tank holder and not securing them properly and separately in a motor vehicle could result in these items becoming dangerous projectiles in the event of an accident.

 **Oxygen tanks can be dangerous if not used properly. Oxygen tanks contain a highly pressurized gas that vigorously accelerates combustion. Ensure you have been provided proper instructions for using an oxygen tank by the supplier of your tank. You must heed all warnings and follow all of the instructions for use that have been provided by the supplier of your oxygen tank. Failure to follow all of the instructions for use, and heed all warnings, for oxygen tanks can result in serious injury or death.**

How to Use the Oxygen Tank Holder

1. Instructions for Use:

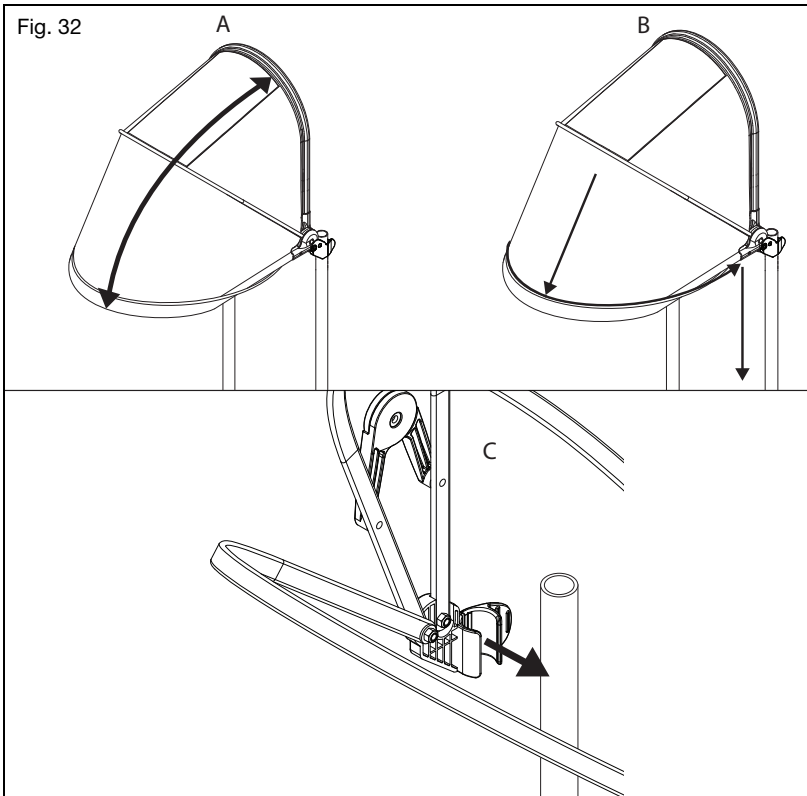
This oxygen tank holder has been designed to secure D cylinders to your wheelchair. Ensure that the bottle is well seated in the bottom of the holder and the clamp is tightened to the point that the cylinder cannot be pulled out.

IV. WHEELCHAIR USE & CONFIGURATION

Y. Canopy

How to Use the Canopy

1. Folding the Canopy (Fig. 32:A)
 - a. To close, lift the front end of the canopy and take the front end all the way to the back end and fold the canopy out of the way.
 - b. To open, take the front end of the canopy and pull out and down until the canopy is fully stretched out.
 - c. It is highly recommended to remove the canopy whenever folding or transporting the chair to avoid damage.
 - d. If the chair is occupied during transit, the canopy must be removed. See warnings associated with transit use in Section IV. C.
2. Quick Removal and Quick Install (Fig. 32:C)
 - a. Push the canopy receivers off the back canes and lift off the wheel chair.
 - b. To reinstall the canopy, simply snap the canopy onto the back canes and adjust height as necessary.
3. Rain Catch (Fig. 32:B)
 - a. The edge of the canopy will fold up to catch and direct rain away from the chair user.



V. MAINTENANCE AND CARE

A. Maintenance Table

Regular and routine maintenance will extend the life of your wheelchair while improving its performance. Wheelchair repairs, the replacement of parts and any maintenance check that you are not comfortable performing should be done by an authorized supplier. Only use Ki Mobility approved parts when replacing components. Contact your Authorized Service Representative (Dealer locator can be found at Ki Mobility website) for parts information, identification, ordering and additional technical information or instruction. Most components are illustrated in "Ki Parts" on the Ki Mobility website.

Common tools to perform user authorized maintenance include: Tire pressure gauge, open end metric wrenches and metric allen wrenches.



WARNING: Lack of maintenance could result in adverse events including loss of support or control which could result in serious injury or death.



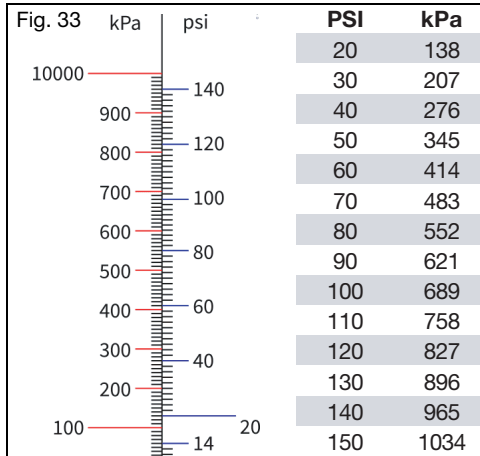
CAUTION: Do not use petroleum-based solvents, degreasers or dewatering agents (including but not limited to automotive cleaners, alcohols or WD-40). Damage to components, bearings or finishes may occur.

Check	Weekly	Monthly	Annually
Check the tire inflation levels and inflate as needed. The correct inflation levels are found on the tire. (See pressure conversion table below if required - Fig. 33)	✓		
Check wheel lock engagement and disengagement. Tire pressure changes and tire wear will require the wheel locks to be adjusted. Wheel lock adjustment instructions can be found in the Wheel Locks section of this manual.	✓		
Check the axle sleeves and axle plates to ensure the axle sleeve nuts are tight.	✓		
Check that quick release axles engage and disengage properly.	✓		
Check that caster wheels, anti-tip wheels and rear wheels spin freely. Cleaning or replacement parts may be needed if there are any issues.	✓		
Clean area around the caster housing and bearings. This is a common location for hair build up.	✓		
Clean your wheelchair. See the Cleaning section in this manual for instructions.	✓		
Check the rear tires, anti-tip wheels and the caster wheels for wear spots or damage. Replace immediately if needed.	✓		
Check handrims to ensure they are secure and not damaged.	✓		
Check that the hand grips do not rotate or pull off. Replace if needed.	✓		
Check armrest receivers for loose or missing fasteners and check they are secure, adjusted properly and maintain position.	✓		
Wipe the rotary frame glide surfaces with a damp cloth.	✓		
Test tilt cable function and visually inspect the cable for correct routing (See the Tilt Mechanism section), harsh bends and kinks.	✓		
Confirm all cables and handles release and return properly if present.	✓		
Check that anti-tips are level and functional.	✓		
Visually inspect the roller bearings for signs of wear or damage.		✓	
Inspect the frame(s) and anti-tips for deformities, defects, cracks, dimples or bends. These could be signs of fatigue in the wheelchair which could result in a failure. Discontinue use of the wheelchair immediately and contact an authorized supplier.		✓	
Check upholstery for signs of wear, fraying or holes. Replace upholstery immediately if needed.		✓	
Check arm pads, cushions and back rest for damage, rips or tears.		✓	
Check wheels for any loose, broke or bent spokes. Replace immediately if needed.		✓	
Check that all fasteners are tight. Unless otherwise noted, fasteners should be tightened to 40 in./lbs (4.51 N*m).		✓	
Verify the wheelchair rolls easily and straight.		✓	
Have the wheelchair checked and adjusted by a qualified technician at your authorized supplier.			✓

V. MAINTENANCE AND CARE

A. Maintenance Table (Continued)

Pressure Conversion Table



B. Cleaning

⚠ CAUTION ⚠

CAUTION: Washing upholstered components containing flame retardants, as indicated on the labeling of the upholstery, may reduce the flame retardants' efficacy over time. This may increase the risk of ignition when exposed to open flame or other ignition sources, which may increase the risk of injury.

Axles, Wheels, Tires and Moving Parts:

1. Clean around the axles and wheels weekly with a damp rag.
2. Hair and lint will lodge in and around the caster housing and rear wheel axles. Remove with a stiff brush or pick. Take care not to damage bearing seals.

Painted Surfaces

1. Hand wash using a cloth and mild detergent.
2. Dry using a clean cloth or allow wheelchair to air dry.
3. Nonabrasive wax may be used to help preserve painted surfaces.

Upholstery:

1. Hand wash using a cloth and mild detergent.
2. Allow upholstery to air dry. **DO NOT** machine dry.

Plastic Components

1. Hand wash using a cloth and mild detergent.
2. Do not use solvents or aggressive cleaners as they may damage plastic components.

Sanitizing

1. Disinfect surfaces with over the counter disinfecting sanitizer of at least 70% alcohol or wipes. Do not soak or allow pooling of cleaning solutions.
2. Allow sanitizer to remain on surface for at least 15 minutes and remove with aseptic cloth.

V. MAINTENANCE AND CARE

C. Storage

1. When not in use, keep your chair in a clean, dry area. Failure to do so may result in your chair rusting and/or corroding.
2. If your chair has been in storage for more than two months, it should be serviced and inspected by an authorized supplier before use.

D. Disposal

Specific waste disposal or recycling regulations may be in force locally and these should be taken into consideration when disposal arrangements are made. This may include the cleaning or de-contamination of the wheelchair before disposal.

If recycling of materials is a requirement, please refer to the following list of general materials used in the components of the wheelchair:

- Aluminum - Frame, caster fork, caster mount, bearing housing, camber tube assembly, backrest mount plates, backrest frame, backrest release bar, push handles, footrest tubes, footplate, seat rails, handrim and wheel rim.
- Steel - Fasteners, QR axles, caster stems, backrest release latch, wheel spokes, bearings and axle sleeve.
- Plastic - Rear wheels, caster tires, push handle grips, armrest pads and tube plugs.
- Upholstery - Woven polyester fabric and polyurethane foam.

If recycling of materials is desired or a requirement, such as per Directive 2012/19/EU, WEEE (Waste Electrical and Electronic Equipment) in Europe, both REAC and Mascot are compliant to WEEE and provide guidance on recycling and disposal. Proper dismantling is necessary to achieve a high proportion of reuse or recycle. Care to use proper tools and protective measures in handling are required to avoid contact with sharp edges.

Plastics marked with recycling symbols and thermoplastic parts can be recycled. Aluminum, copper and steel parts, including fasteners, may be recycled. Cables, batteries and PCB are to be disposed separately per local requirements.

Return your chair and accessories to your authorized supplier for proper disposal if you are not comfortable or able to dispose of your wheelchair properly.

VI. TROUBLESHOOTING

A. Symptoms and Solutions

For optimum performance, your wheelchair needs to be adjusted occasionally. The following is a list of potential symptoms you may encounter over the life of your wheelchair and the suggested solutions for each symptom. For best results when troubleshooting, try one solution at a time before proceeding to a second solution. If symptoms are not relieved or you are not confident in performing the solution, it is recommended to take the wheelchair to an authorized service center for repair.

Solutions:

A - Self Correct if capable or contact Authorized Distributor

B - Contact Authorized Distributor

		Symptoms								
		Chair pulls to one side	Looseness in chair	Difficulty turning	Caster Float	Caster Flutter	Squeaking, clicking or rattling	Will not tilt/rattles when tilting	Difficulty Tilting	Chair tilts too quickly/difficult to recover
Solutions	B	Add spacer washer between caster stem and bottom caster housing bearing on left or right side of chair.	X				X			
	A	Ensure all tire pressures are correct and equal.	X		X	X				
	A	Check to make sure all fasteners are tightened appropriately, tighten if necessary.	X	X			X		X	
	A	Lubricate w/Teflon based lubricant between frame connections and mating parts in suspect areas.					X			
	B	Ensure cable/foot tilt mechanism is adjusted and cogs disengage teeth (See Section S.)						X		
	B	Inspect roller bearing for wear. Replace if necessary.					X	X		
	B	Inspect rotary frame bearing surfaces for damage. Clean as necessary.					X	X		
	B	Optimize CG setting.							X	X
	B	Confirm caster housing are square to the ground plane.	X							
	A	Remove caster/bearing debris.	X	X						

VII. WARRANTY

Ki Mobility warrants the frame, hangers, tilt assembly (including bearings) and quick-release axles of this wheelchair against defects in materials and workmanship for the life of the original purchaser. All other Ki Mobility-made parts and components of this wheelchair are warranted against defects in materials and workmanship for one year from the date of first consumer purchase.

The expected life of the frame is five years.

Limitations to the Warranty

1. We do not warrant:
 - a. Wear items: Upholstery, tires, armrest pads, tubes, armrests and push-handle grips.
 - b. Damage resulting from neglect, misuse or from improper installation or repair.
 - c. Damage from exceeding weight limit.
2. This warranty is VOID if the original chair serial number tag is removed or altered.
3. This warranty is VOID if the original chair has been modified from its original condition and it is determined the modification resulted in failure.
4. This warranty applies in North America only. Check with your supplier to find out if international warranties apply.

Ki Mobility's Responsibility

Ki Mobility's only liability is to replace or repair, at our discretion, the covered parts. There are no other remedies, expressed or implied.

Your Responsibility

- a. Notify Ki Mobility, via an authorized supplier, prior to the end of the warranty period and get a return authorization (RA) for the return or repair of the covered parts.
- b. Have the supplier send the authorized return, freight pre-paid, to:
Ki Mobility
5201 Woodward Drive
Stevens Point, WI 54481
- c. Pay any charges for labor to repair or install parts.

VIII. SPECIFICATION SHEET - CR45

Manufacturer: Ki Mobility	Maximum Occupant Mass: 136 kg, 300 lb
Address: 5201 Woodward Dr., Stevens Point, WI 54481	Occupant Mass Group (I, II or III): III
Model: CR45	

Disclosure Information (ISO)								
Standard Reference	Measurement	Fixed or minimum value	Maximum value, if relevant	Standard Reference	Measurement	Dim. No.	Fixed or minimum value	Maximum value, if relevant
ISO 7176-5 8.2	Overall length with leg rest (Std or SRC)	1130 mm 44.5 in	- mm - in	ISO 7176-1 11	Did anti-tip device prevent chair from tipping over?			Yes
ISO 7176-5 8.2	Overall length with leg rest (MDC/MAC)	1524 mm 60 in	1676 mm 66 in	ISO 7176-3 7.2	Max Slope Uphill/Downhill	N/A	11°	9°
ISO 7176-5 8.3	Overall width	743 mm 29.25 in	- mm - in	ISO 7176-3 6b	Brake Operating Force	N/A	57 N 12.75 lb	- N - lb
ISO 7176-5 8.4	Handgrip Height (SRC/MDC)	1078 mm 42.44 in	622 mm 24.5 in	ISO 7176-30 5.10	Lever operating force (tilt/recline)	N/A	35 N 7.85 lb	29 N 6.6 lb
ISO 7176-5 8.5	Folded Length (SRC/MDC)	1156 mm 45.5 in	- mm - in	ISO 7176-30 8	Reclining back adjustment force	N/A	165 N 37 lb	- N - lb
ISO 7176-5 8.6	Folded Width (SRC/MDC)	648 mm 25.5 in	- mm - in	ISO 7176-7 7.3.2	Seat plane angle	(1)	3°	46°
ISO 7176-5 8.7	Folded Height (SRC/MDC)	819 mm 32.25 in	- mm - in	ISO 7176-7 7.3.3	Effective seat depth	(2)	440 mm 17.3 in	- mm - in
ISO 7176-5 8.8	Rising	70 mm 2.75 in	- mm - in	ISO 7176-7 7.3.5	Effective seat width	(4)	548 mm 21.6 in	- mm - in
ISO 7176-5 8.9	Total Mass	33 kg 73 lb	- kg - lb	ISO 7176-7 7.3.6	Seat surface height at front	(5)	555 mm 21.9 in	- mm - in
ISO 7176-5 8.10	Mass of the heaviest part	25 kg 55 lb	- kg - lb	ISO 7176-7 7.3.7	Backrest angle	(6)	6°	74°
ISO 7176-5 8.13	Turning Radius (SRC/MDC)	2007 mm 79 in	2534 mm 99.75 in	ISO 7176-7 7.3.8	Backrest Height	(7)	470 mm 18.5 in	- mm - in
ISO 7176-5 8.15	Required width of angled corridor (SRC/MDC)	1016 mm 40 in	1194 mm 47 in	ISO 7176-7 7.3.12	Footrest to seat distance	(11)	512 mm 20.2 in	- mm - in
ISO 7176-5 8.16	Required doorway entry depth (SRC/MDC)	1486 mm 58.5 in	2165 mm 85.25 in	ISO 7176-7 7.3.16	Leg to seat surface angle	(15)	97°	- °
ISO 7176-5 8.17	Required corridor width for side opening (SRC/MDC)	1245 mm 49 in	1473 mm 58 in	ISO 7176-7 7.3.17	Armrest to seat distance	(16)	120 mm 4.7 in	280 mm 11.0 in
ISO 7176-1 8	Static stability downhill	17°	35°	ISO 7176-7 7.3.18	Front armrest to backrest distance	(17)	325 mm 12.8 in	- mm - in
ISO 7176-1 9	Static stability uphill	15°	28°	ISO 7176-7 7.3.23	Front location of armrest structure	(22)	320 mm 12.6 in	- mm - in
ISO 7176-1 10	Static stability sideways	16°	23°	ISO 7176-7 7.3.24	Handrim diameter	(23)	520 mm 20.5 in	- mm - in
ISO 7176-1 11	Static stability with anti-tips	32°	34°	ISO 7176-7 7.3.26	Horizontal location of axle	(25)	118 mm 4.6 in	- mm - in

This wheelchair conforms to the following standards:	Yes No N/A
a) Requirements & test methods for static, impact and fatigue strengths (ISO 7176-8 and ISO 7176-30 as applicable)	X
b) Requirements for resistance to ignition in accordance with ISO 7176-16	X

See General Warnings section of manual for further information on flammability.

CR45

MANUAL DE INSTRUCCIONES Y GARANTÍA



2023-08-21

I. INTRODUCCIÓN

¡Gracias por comprar una silla de ruedas Ki Mobility!

ADVERTENCIA

ADVERTENCIA: No use esta silla de ruedas sin antes leer todo este manual. Usar la silla de ruedas sin leer primero el presente manual por completo podría ocasionar lesiones graves al usuario o a su asistente.

Ki Mobility aconseja capacitarse con un profesional de tecnologías asistivas (ATP) u otro profesional clínico o técnico competente en la seguridad de esta silla antes de su uso.

Si tiene alguna pregunta o inquietud sobre cualquier aspecto de esta silla de ruedas, este manual o el servicio prestado, no dude en ponerse en contacto con su proveedor autorizado, un representante autorizado o Ki Mobility. Puede comunicarse con Ki Mobility llamando al:

(1)715-254-0991



Ki Mobility
5201 Woodward Drive
Stevens Point, WI 54481
U.S.A



www.kimobility.com (Incluye localizador de distribuidores y acceso a información impresa)

O a través de nuestro representante autorizado de la UE:



Etac Supply Center AB
Långgatan 12
33233 Anderstorp
Sweden

O a través de nuestra persona responsable del Reino Unido:



Etac Ltd
Unit 60, Hartlebury Trading
Estate, Hartlebury
Kidderminster, DY10 4JD

II. CONTENIDO

I. INTRODUCCIÓN

II. CONTENIDO

III. AVISO - LEA ANTES DE USAR

A.	Uso Previsto	52
B.	Indicaciones de uso	52
C.	Su seguridad	52
D.	Palabras de aviso	53
E.	Identificación del número de serie	53
F.	Glosario de símbolos.....	54
G.	Advertencias y precauciones generales.....	55
H.	Cinturones o arneses de posicionamiento.....	58
I.	Cómo desplazarse en su silla de ruedas	58
J.	Sistema a motor externo	60
K.	Su silla de ruedas y el medio ambiente.....	61
L.	Modificar su silla de ruedas	61
M.	Estabilidad de la silla de ruedas.....	61
N.	Asientos postventa.....	63

IV. USO Y CONFIGURACIÓN DE LA SILLA DE RUEDAS

A.	Cordones, Escalones y Peldaños	64
B.	Transferirse	65
C.	Uso en tránsito.....	65
D.	Uso del cojín	70
E.	Transporte de una silla de ruedas desocupada	70
F.	Su CR45 y sus partes	71
G.	Brazo en T de altura regulable.....	72
H.	Apoyabrazos abatible y extensible con bloqueo de la regulación del ángulo.....	73
I.	Barras pivotantes (swing away)	74
J.	Barras pivotantes (swing away) con seguro de 4 vías.....	75
K.	Tubos de extensión.....	76
L.	Alzar el apoyapiernas	76
M.	Apoyapiernas elevable profesional.....	78
N.	Apoyapiernas elevable pediátrico	80
O.	Apoyo para la extremidad residual (RLS)	82
P.	Espaldar	83
Q.	Espaldar reclinable.....	83
R.	Mecanismo de inclinación	84
S.	Ruedas posteriores	89
T.	Seguros de las ruedas	90
U.	Bloqueo de pie del asistente	91
V.	Antivuelco	92
W.	Superficies de contacto	94
X.	Soporte del tubo de oxígeno.....	94
Y.	Cubierta.....	95

V. MANUTENCIÓN Y CUIDADO

A.	Tabla de manutención.....	96
B.	Limpieza	97
C.	Almacenamiento	98
D.	Eliminación.....	98

VI. RESOLUCIÓN DE PROBLEMAS

A.	Problemas y soluciones	99
----	------------------------------	----

VII. GARANTÍA

VIII. ESPECIFICACIONES - CR45

III. AVISO - LEA ANTES DE USAR

A. Uso Previsto

La silla de ruedas manual CR45 de Ki Mobility se ha creado para ofrecer movilidad a personas que están limitadas a una posición sentada.

B. Indicaciones de uso

La silla de ruedas manual CR45 de Ki Mobility es un dispositivo con ruedas de accionamiento manual creado para ofrecer movilidad a adultos limitados a una posición sentada.

C. Su seguridad

AVISO: Comuníquese con Ki Mobility para obtener información sobre retiros y avisos de seguridad.

Cualquier incidente o lesión relacionados con el uso de la silla de ruedas o sus accesorios debe informarse de inmediato si dicho incidente ha conducido, directa o indirectamente, a un deterioro de salud grave, o muerte, del usuario o de otra persona. Informe cualquier evento grave o lesión a Ki Mobility y, si así lo exige la normativa local, a la autoridad sanitaria competente donde reside legalmente el usuario u otra persona.

No use esta silla de ruedas sin antes leer todo este manual. ANTES de sentarse en esta silla de ruedas, un profesional de tecnologías asistivas (ATP) u otro profesional clínico o técnico competente debe capacitarlo en el uso seguro de la misma. Ki Mobility fabrica muchas sillas de ruedas diferentes que pueden satisfacer sus necesidades. El mejor método comprobado para elegir una silla de ruedas es consultar un profesional de tecnologías asistivas u otro profesional técnico competente y un profesional clínico experimentado, como un fisioterapeuta, un terapeuta ocupacional o un médico. La elección definitiva del tipo de silla de ruedas, sus opciones de configuración y su regulación está exclusivamente a cargo suyo y de sus profesionales técnicos y clínicos. Las opciones que elija, la configuración y la regulación de la silla de ruedas influyen directamente sobre su rendimiento, estabilidad y capacidad de satisfacer sus necesidades. Los factores a tener en cuenta que influyen sobre su seguridad y estabilidad son:

- a. Sus habilidades y capacidades personales, incluyendo la fuerza, equilibrio y coordinación.
- b. Los tipos de peligros y obstáculos que puede encontrar durante su día.
- c. Las dimensiones, opciones y configuración específicas. En particular la altura y la profundidad del asiento, la angulación del asiento y espaldar, el tamaño y la posición de las ruedas posteriores y de los casters.

III. AVISO - LEA ANTES DE USAR

D. Palabras de aviso

En este manual encontrará palabras que se denominan de “aviso”. Estas palabras se utilizan para identificar y transmitir la gravedad de los riesgos variables. Antes de usar esta silla de ruedas, usted y toda persona que pueda ayudarle deben leer este manual completo. Preste atención a estas palabras de Aviso y tenga en cuenta toda nota, precaución o advertencia. Asegúrese de seguir todas las instrucciones y use su silla de ruedas de manera segura. La palabra de Aviso se refiere a un peligro o una práctica no segura que puede causar lesiones graves o la muerte a usted u otras personas. Las “Advertencias” se encuentran en tres categorías principales, de la siguiente manera:

NOTA - Nota indica una situación potencialmente peligrosa que, si no se evita, podría provocar una disminución en el rendimiento de la silla de ruedas o causar daños a la misma.



PRECAUCIÓN: Precaución indica una situación potencialmente peligrosa que, si no se evita, podría ocasionar daños a su silla de ruedas y lesiones a usted.

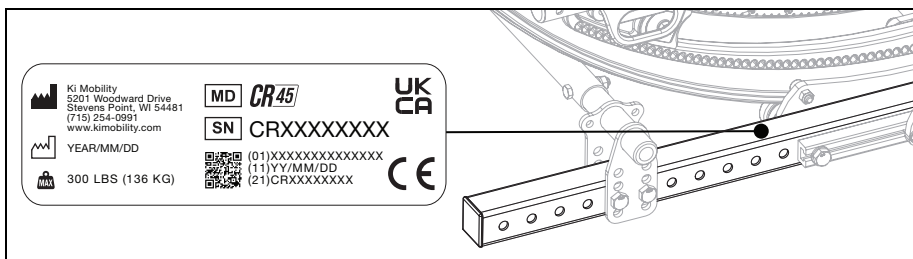


ADVERTENCIA: Advertencia indica una situación potencialmente peligrosa que, si no se evita, podría provocar lesiones graves o la muerte.

Estas palabras de Aviso se colocan a lo largo de todo el manual, donde sea apropiado para resaltar la situación de peligro. El capítulo F. contiene las situaciones peligrosas que se relacionan con el uso general de esta silla de ruedas.

E. Identificación del número de serie

La etiqueta del número de serie proporciona información importante sobre su silla de ruedas y se utiliza como el identificador único para su silla específica. La imagen a continuación ilustra dónde se halla el número de serie en su silla de ruedas.



III. AVISO - LEA ANTES DE USAR

F. Glosario de símbolos

SÍMBOLO	DEFINICIÓN
	Indica al fabricante del dispositivo médico.
	Fecha de fabricación (YEAR/MM/DD).
	Indica la necesidad de que el usuario consulte una instrucción por motivos de seguridad, tales como precauciones y advertencias. Si se presenta en el dispositivo médico o en su empaque, indica la necesidad de que el usuario consulte las indicaciones por motivos de seguridad, tales como precauciones y advertencias.
	Indica que el artículo es un dispositivo médico.
	Indica el número de serie del fabricante de modo que se pueda identificar un dispositivo médico específico.
	Indica al representante autorizado en la Comunidad Europea.
	Indica la declaración del fabricante de que el producto cumple los requisitos de las directivas de la CE aplicables.
	Indica la necesidad de que el usuario consulte las indicaciones de uso.
	Indica la necesidad de que el usuario consulte el sitio web indicado a fin de obtener instrucciones de uso en formato electrónico.
	Indica un sitio web donde los usuarios pueden obtener información adicional sobre el producto médico.
	Indica un límite máximo de peso especificado (lb/kg).
	Indica un punto de seguridad de tránsito.
	Indica un posible punto de pellizco.
	Indica la entidad que importa el dispositivo médico al lugar.
	Cumple con ANSI/RESNA WC-4 Sección 19 (WC19) e ISO 7176-19.
	Indica que no es para uso en tránsito.
	Indica la declaración del fabricante de que el producto cumple los requisitos de las directivas de la UKCA aplicables.












III. AVISO - LEA ANTES DE USAR

G. Advertencias y precauciones generales

ADVERTENCIA


CR45	Estándar 300 lb (136 kg)
------	-----------------------------


ADVERTENCIA: Los límites se refieren al peso total en libras del usuario más todos los artículos transportados. No exceda el límite de peso de la silla. Exceder el límite de peso puede dañar su silla o aumentar su riesgo de caerse o volcarse. Un vuelco o una caída pueden provocar lesiones graves o la muerte.

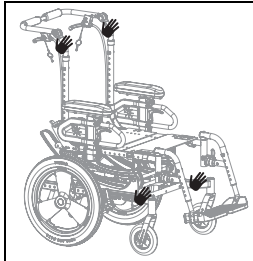
-  No use la silla para entrenamiento con pesas. El movimiento del peso adicional altera el centro de gravedad de la silla y aumenta el riesgo de volcar. Un vuelco puede provocar daños en la silla o lesiones graves o la muerte.
-  No cuelgue mochilas, bolsas u objetos pesados por arriba del centro de gravedad del ocupante. El movimiento del peso adicional altera el centro de gravedad de la silla y aumenta el riesgo de volcar. Un vuelco podría provocar lesiones graves o la muerte. Si es necesario transportar cargas adicionales, se recomienda utilizar soportes y bolsas debajo del asiento. Los objetos colgados de la silla de ruedas pueden causar inestabilidad, pueden impedir el acceso a sus componentes, enredarse en piezas móviles o causar un desgaste prematuro de los componentes, como el tapizado del espaldar y las manijas de empuje.
-  Mantenga los neumáticos inflados a la presión correcta. El uso de una silla sin neumáticos inflados adecuadamente puede afectar su estabilidad, lo que aumenta el riesgo de vuelco. Un vuelco puede provocar daños en la silla o lesiones graves o la muerte a usted u otros. La presión correcta del neumático se indica en la pared lateral del neumático. Si no está seguro, su proveedor de silla de ruedas puede determinar si sus neumáticos son inflables.
-  Evite rampas o pendientes con más de 9 grados de inclinación. Las pendientes pronunciadas aumentan el riesgo de caerse o volcarse. Un vuelco o caída puede provocar daños en la silla o lesiones graves o la muerte a usted u otros. No use la silla en rampas o pendientes con más de 9 grados de inclinación (aproximadamente 2 pulgadas de subida/bajada por pie lineal): ni para arriba/abajo ni transversal.
-  Evite las superficies inclinadas resbaladizas o cubiertas de hielo, aceite o agua. Circular en pendientes resbaladizas puede imposibilitar el control de la silla de ruedas y provocar un vuelco o una caída. Un vuelco o caída puede provocar daños en la silla o lesiones graves o la muerte.
-  Evite inclinarse sobre el costado o la parte posterior de su silla de ruedas para extender su alcance. Inclinarse sobre la silla podría cambiar su centro de gravedad, provocar inestabilidad y por consiguiente una caída o un vuelco. Un vuelco o caída puede provocar daños en la silla o lesiones graves o la muerte.
-  No levante la silla de ruedas por sus partes removibles mientras está ocupada. Levantar una silla de ruedas por partes removibles mientras está ocupada podría causar que el usuario se caiga o pierda el control. Una caída o pérdida de control puede provocar daños en la silla o lesiones graves o la muerte.
-  El material de embalaje debe mantenerse fuera del alcance de los niños. La manipulación inadecuada de los materiales de embalaje y el incumplimiento del deber de supervisar a los niños podría provocar asfixia y lesiones graves o la muerte.
-  Su silla de ruedas cumple con la norma ISO 7176-16 en cuanto a inflamabilidad. La resistencia a la ignición puede cambiar con el uso, el paso del tiempo o la limpieza. Se deben tomar precauciones para evitar las fuentes de ignición o la cercanía con materiales inflamables que puedan aumentar la capacidad de ignición, como el oxígeno y el alcohol. También tenga en cuenta que agregarle a la silla componentes, sistemas posturales, soportes o materiales puede alterar la inflamabilidad. Los cambios a la inflamabilidad pueden dar como resultado lesiones graves o la muerte.
-  Siempre mire hacia adelante para ver posibles obstáculos o cambios en el suelo que podrían hacer atascar los casters y la bandeja apoyapiés y frenar de golpe la silla de ruedas. Si no lo hace, la silla de ruedas podría volcarse inesperadamente y provocar una caída o pérdida de control. Una caída o pérdida de control puede provocar daños a su silla de ruedas, lesiones graves o la muerte.
-  En caso de derrames corrosivos o exposición a riesgos biológicos, elimine las sustancias contaminantes de inmediato o pueden ocurrir lesiones graves o la muerte. Consulte las instrucciones del capítulo de Limpieza de este manual.


III. AVISO - LEA ANTES DE USAR

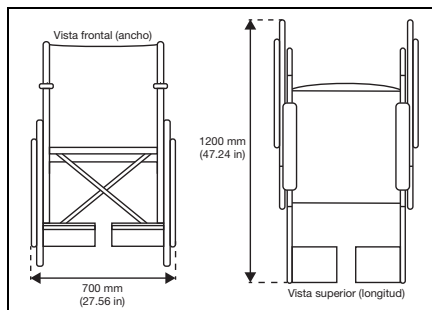
G. Advertencias y precauciones generales (continuación)

 Cualquier parte del cuerpo que presione contra el chasis de la silla de ruedas u otros elementos de la misma puede deformar la piel y generar un punto de alta compresión. Éstos son daños para el tejido bajo estrés y pueden hacerle desarrollar una lesión por compresión o laceración de la piel. Si su piel enrojece o presenta cualquier otro síntoma de lesión por compresión o laceración de la piel, suspenda el uso de este producto de inmediato y consulte a su médico. Seguir usando la silla de ruedas después de que se presenten cambios en la piel puede dar como resultado lesiones graves o la muerte.

 Para mover y alzar la silla de ruedas sin el ocupante de forma segura, se recomienda plegar el espaldar (si lo permite la configuración) y agarrar en los puntos del chasis que se indican en el diagrama. Tenga cuidado de no sujetar donde los componentes son extraíbles o moverlos durante el uso de la silla para evitar lesiones y falla del componente.



 La dimensión total de las sillas de ruedas varía según su configuración específica, como la profundidad y el ancho del asiento, el tipo de ruedas y neumáticos y el agregado de accesorios de postventa no suministrados por Ki Mobility. Si la dimensión total de su silla de ruedas en particular supera aquella recomendada en la imagen a continuación, puede verse limitado el acceso a vías de escape de emergencia. No poder acceder a una vía de escape de emergencia puede dar como resultado lesiones graves o la muerte.



PRECAUCIÓN

PRECAUCIÓN: Evite ajustar demasiado los pernos y las piezas que sujetan los componentes al chasis. Apretar demasiado puede dañar la silla, lo que afecta su durabilidad y rendimiento. El daño a la silla puede provocar lesiones al usuario.

NOTA: El capítulo de mantenimiento del presente manual explica cómo ajustar pernos y sujetadores. Si no está seguro de cómo apretar correctamente los pernos o las piezas o carece de las herramientas necesarias, consulte a su proveedor autorizado.

III. AVISO - LEA ANTES DE USAR

G. Advertencias y precauciones generales (continuación)

ADVERTENCIA

ADVERTENCIA: Usar el apoyapiés sin calzado protector, como los zapatos, puede provocar lesiones graves en los pies.

Las sillas de ruedas Ki Mobility vienen con múltiples opciones de apoyapiés. Son regulables y están diseñados para facilitar un adecuado apoyo y posición de sus pies. Deben usarse con calzado protector para los pies, como los zapatos. En general, las bandejas apoyapiés en sí pueden ser más pequeñas que sus pies y no los protegen de lesiones al chocar contra paredes, puertas u otros elementos duros que pueda encontrar al usar la silla de ruedas. La superficie de las bandejas puede tener rugosidades o coberturas que evitan que el pie se deslice, algunas vienen con ranuras para facilitar la fijación de otros soportes para los pies. Tales rugosidades o complementos de fijación no están diseñados para el contacto con los pies desnudos y pueden provocar abrasión en la piel o puntos de presión que afecten la integridad del tejido. Se pueden agregar soportes extra, como almohadillas o una caja para los pies, a fin de protegerlos en ausencia de calzado protector como los zapatos. Si no está seguro de si sus apoyapiés son adecuados para usted, consulte un ATP u otro profesional técnico competente, y un profesional clínico experimentado, como un fisioterapeuta, terapeuta ocupacional o médico a fin de determinar qué apoyapiés responderá mejor a sus necesidades. Si tiene laceraciones en la piel u otros problemas de integridad de los tejidos suspenda el uso y recurra a un profesional clínico capacitado en el cuidado de la piel, como un médico, enfermero o terapeuta. Siempre siga los consejos de los profesionales que se ocupan de su piel y use los apósitos o revestimientos recomendados para protegerla.

ADVERTENCIA

ADVERTENCIA: Usar un apoyo RLS sin la protección adecuada puede provocar lesiones graves en su extremidad residual.

Si ha tenido una amputación o deformación en una o ambas extremidades inferiores, es posible que su silla de ruedas venga con uno o dos apoyos RLS. Estos están diseñados para usarse con extremidades residuales adecuadamente protegidas. Pueden ser intencionalmente más cortos que ellas y no las protegen de lesiones por chocar contra paredes, puertas u otros elementos duros que pueda encontrar durante el uso de la silla de ruedas. Las extremidades residuales pueden tener problemas de integridad tisular por cizallamiento y abrasión. Protéjalas en todo momento con los debidos revestimientos para reducir tal riesgo. Si tiene cortes en la piel u otros problemas de integridad de los tejidos suspenda el uso y recurra a un profesional clínico capacitado en el cuidado de la piel, como un médico, enfermero o terapeuta. Siempre siga los consejos de los profesionales que se ocupan de su piel y use los apósitos o revestimientos recomendados para protegerla.

ADVERTENCIA

ADVERTENCIA: En función de su tipo de piel y otras afecciones relacionadas con su discapacidad, puede desarrollar irritaciones o abrasiones por contacto prolongado o frotamiento contra las superficies de su silla de ruedas. La irritación y las abrasiones pueden provocar complicaciones adicionales debidas a cortes en la piel que pueden ser graves.


Ki Mobility recomienda usar ropa u otros revestimientos protectores sobre la piel que descansa o se frota contra los componentes o el chasis de la silla de ruedas. Si tiene cortes en la piel u otros problemas de integridad de los tejidos suspenda el uso y recurra a un profesional clínico capacitado en el cuidado de la piel, como un médico, enfermero o terapeuta. Siempre siga los consejos de los profesionales que se ocupan de su piel y use los apósitos o revestimientos recomendados para protegerla.

III. AVISO - LEA ANTES DE USAR

H. Cinturones o arneses de posicionamiento

ADVERTENCIA

ADVERTENCIA: El uso inadecuado de los cinturones de posicionamiento puede hacer que el usuario se deslice por debajo de ellos en la silla de ruedas. Si esto sucediera, se puede producir una compresión del pecho o asfixia debido a la presión del cinturón. Si esto ocurre, la respiración del usuario puede verse obstaculizada y causar lesiones graves o la muerte.

 El uso incorrecto de los cinturones de posicionamiento puede hacer que partes del cuerpo queden trabadas en ellos, limitando la movilidad y el movimiento provocando lesiones graves o la muerte.

Ki Mobility recomienda el uso de cinturones de posicionamiento pélvico. Los cinturones de posicionamiento pélvico pueden reducir el riesgo de caerse de su silla de ruedas.

Los cinturones de posicionamiento, como los cinturones de posicionamiento pélvico y los arneses y correas del tronco anterior, están diseñados para ayudar, retener y mantener el posicionamiento y la postura adecuados en la silla de ruedas.

- Asegúrese de que el usuario no se deslice debajo del cinturón de posicionamiento en el asiento de la silla de ruedas.
- El cinturón de posicionamiento debe tener un ajuste perfecto, lo suficientemente apretado como para mantener su posición, pero no tanto como para restringir la respiración. Debe haber una mano abierta entre el cinturón y el usuario.
- El uso adecuado de cojines puede contribuir a la estabilidad pélvica y reducir el deslizamiento.
- NUNCA use cinturones de posicionamiento:
 - a. Como restricción. Una restricción requiere la orden de un médico.
 - i. A menos que pueda quitarse los cinturones fácilmente en caso de emergencia. Si no puede hacer esto, consulte con su proveedor de atención médica para conocer otras opciones que le ayuden con su postura.
 - b. En un usuario inconsciente o agitado.
 - c. Como sujeción del ocupante o cinturón de seguridad en un vehículo automotor. El cinturón de posicionamiento no está diseñado para reemplazar el cinturón de seguridad que está sujeto a la carrocería de un vehículo, tal como se requiere para un cinturón de seguridad eficaz. En una frenada, la fuerza de la misma arrojaría el usuario hacia adelante. Los cinturones de las sillas de ruedas no pueden evitarlo, y en consecuencia esos mismos cinturones o correas pueden provocar más lesiones. El capítulo Tránsito del presente manual brinda mayor información al respecto.











I. Cómo desplazarse en su silla de ruedas

ADVERTENCIA

ADVERTENCIA: Evite empujar o desplazarse con su silla de ruedas sobre superficies flojas, accidentadas, desiguales o resbaladizas (como hielo, arena, tierra suelta, césped, grava, baches, grietas y pavimentación rota). El uso en tales superficies podría hacer que la silla de ruedas pierda estabilidad y se incline inesperadamente y provoque una caída o pérdida de control. Una caída o pérdida de control puede provocar daños a su silla de ruedas, lesiones graves o la muerte.

III. AVISO - LEA ANTES DE USAR

I. Cómo desplazarse en su silla de ruedas (continuación)

-  Siempre mire hacia adelante para ver posibles obstáculos o cambios en el suelo que podrían hacer atascar los casters y frenar de golpe la silla de ruedas. Si no lo hace, la silla de ruedas podría volcarse inesperadamente y provocar una caída o pérdida de control. Una caída o pérdida de control puede provocar daños a su silla de ruedas, lesiones graves o la muerte.
-  Siempre mire hacia adelante para detectar objetos u obstáculos que la silla de ruedas podría golpear. Golpear un objeto u obstrucción podría hacer que su silla de ruedas vuelque inesperadamente y provoque una caída o pérdida de control. Una caída o pérdida de control puede provocar daños a su silla de ruedas, lesiones graves o la muerte. Además, golpear un objeto u obstáculo podría dañar su silla de ruedas. El riesgo de lesiones y daños a su silla de ruedas al golpear un objeto u obstáculo aumenta con la velocidad.
-  Usar su silla de ruedas en vías públicas es extremadamente peligroso y no se recomienda. Los usuarios de sillas de ruedas deben obedecer las reglas de tráfico peatonal. Consulte las leyes de tránsito de su propio lugar de residencia; algunos no permiten el uso de sillas de ruedas en las vías públicas.
-  El equilibrio del usuario se ve afectado por la pendiente de las superficies sobre las que circula. Con un menor equilibrio, su silla de ruedas será menos estable cuando esté en angulación. Esto se verifica más aún cuando se transita por una pendiente lateralmente. Trasladarse en su silla de ruedas en una pendiente podría hacer que vuelque inesperadamente o que el usuario pierda estabilidad, lo que provocaría una caída o pérdida de control. Una caída o pérdida de control puede provocar daños a su silla de ruedas, lesiones graves o la muerte.
-  Cuando use su silla de ruedas en áreas públicas o privadas (incluyendo, entre otros, cruces peatonales, aceras, vecindarios, estacionamientos y parques), esté alerta al peligro de vehículos automotores. Debido a su baja posición:
 - Cuando la iluminación sea escasa, aplique cinta reflectante en su ropa y silla de ruedas.
 - Si tiene el derecho de paso, siempre ceda el paso hasta que el conductor del vehículo automotor lo haya visto.
-  Tenga mucho cuidado al ir hacia atrás. Es posible que no pueda ver una obstrucción que podría provocar un vuelco. Un vuelco puede dañar su silla de ruedas, causar lesiones graves o la muerte.
-  Ki Mobility desaconseja balancearse sobre las ruedas posteriores con los casters levantados del suelo (también conocido como “caballito”). Es muy probable que se caiga o vuelque y podría provocar daños a su silla de ruedas, lesiones graves o la muerte. Si elige ignorar esta advertencia, no intente hacer un caballito a menos que haya sido capacitado por un profesional clínico o técnico. Siempre debe tener la ayuda de una persona capacitada y preparada para evitar que exceda su punto de inflexión.
-  No se traslade en escaleras mecánicas sentado en la silla de ruedas. El uso de una silla de ruedas en una escalera mecánica puede provocar una caída, un vuelco o la pérdida de control. Una caída, vuelco o pérdida de control puede provocar daños a su silla de ruedas, lesiones graves o la muerte.
-  Evite vestirse o desvestirse en su silla de ruedas. Vestirse o desvestirse en su silla de ruedas hace que su peso cambie. Por lo tanto, aumenta su riesgo de caerse o volcarse. Una caída o un vuelco pueden dañar su silla de ruedas, causar lesiones graves o la muerte.
-  Ki Mobility recomienda el uso de accesorios como aros para talón y pantorrilleras. Cuando se usan correctamente, los aros para talones y pantorrilleras pueden ayudar a evitar que piernas y pies se resbalen accidentalmente de la bandeja apoyapiés o del apoyapiés, lo que podría hacer trabar los pies en la silla de ruedas y sus componentes o golpear el suelo. Usar la silla de ruedas sin accesorios tales como aros para talones y pantorrilleras adecuadamente ajustadas puede provocar un potencial peligro que, si no se evita, podría generar lesiones.

III. AVISO - LEA ANTES DE USAR

I. Cómo desplazarse en su silla de ruedas (continuación)

Cuando use su silla de ruedas, siempre:

- Observe el área muy por delante de su silla de ruedas mientras conduce.
- Asegúrese de que las superficies sobre las que circule estén niveladas y sin obstáculos.
- Retire o cubra los dinteles de las puertas entre las habitaciones.
- Si su silla de ruedas tiene dispositivos antivuelco, asegúrese de que estén bloqueados en su lugar cuando utilice la silla de ruedas (Consulte IV, U. para el uso adecuado de los antivuelco).
- Mantenga ambas manos sobre los aros de las ruedas cuando pase sobre un obstáculo.
- Nunca empuje ni tire de un objeto para impulsar su silla de ruedas.
- Asegúrese de que no haya una caída en la parte inferior de rampas.
- Al subir una pendiente, incline el tronco ligeramente hacia adelante para evitar volcarse hacia atrás.
- Al bajar una pendiente, mantenga su tronco presionado firme hacia atrás para evitar volcarse hacia adelante.
- No intente superar obstáculos sin ayuda.
- Asegúrese de que toda rampa, pendiente o acera en las que intente desplazarse cumpla con las pautas de ADA (Ley de Estadounidenses con Discapacidades) o las pautas de accesibilidad equivalentes en su región.

Las pautas de la ADA y más información sobre diseño accesible están disponibles en: www.ada.gov

J. Sistema a motor externo



ADVERTENCIA: Asegúrese de que el fabricante haya validado y aprobado su sistema a motor para usarlo con la silla de ruedas Ki y su configuración. Emplear un sistema a motor externo no aprobado podría ocasionar un desperfecto mecánico de la silla de ruedas y hacerla caer. Una caída puede dañar su silla de ruedas, causar lesiones graves o la muerte.



Los sistemas a motor externo modifican la estabilidad y el desempeño de la silla de ruedas. Use siempre antivuelco con su sistema a motor. Si no lo hace, su silla de ruedas podría volcarse hacia atrás. Un vuelco hacia atrás puede dañar su silla de ruedas, causar lesiones graves o la muerte.



Siempre mire hacia adelante para detectar objetos u obstáculos que la silla de ruedas podría golpear. Los sistemas a motor externo cambian el desempeño de la silla de ruedas y aumentan la posibilidad de un vuelco inesperado cuando se golpea un objeto u obstáculo. Un vuelco inesperado podría resultar en una caída o pérdida de control. Una caída o pérdida de control puede provocar daños a su silla de ruedas. El riesgo de lesiones y daños a su silla de ruedas al golpear un objeto u obstáculo aumenta con la velocidad.


Ki Mobility desaconseja instalar sistemas a motor externo en cualquiera de las sillas de ruedas Ki Mobility. Las sillas de ruedas Ki Mobility no han sido diseñadas ni probadas por Ki Mobility como sillas de ruedas electrónicas. Si agrega un sistema a motor externo a una silla de ruedas Ki Mobility, asegúrese de que el fabricante del mismo haya validado y aprobado la combinación del sistema a motor externo con la silla de ruedas como segura y efectiva.


III. AVISO - LEA ANTES DE USAR

K. Su silla de ruedas y el medio ambiente

PRECAUCIÓN

PRECAUCIÓN: La exposición al agua o la humedad excesiva puede causar que el metal en la silla de ruedas se oxide o corroa y que la tela se rasgue. Seque su silla lo antes posible si se expone al agua.

 **NO UTILICE SU SILLA DE RUEDAS EN DUCHAS, PISCINAS O EN EL AGUA EN GENERAL.** Esto hará que su silla de ruedas se oxide o corroa y finalmente sufra desperfectos.

 No utilice su silla de ruedas en la arena. La arena puede entrar en los cojinetes de las ruedas y las piezas móviles. Esto causará daños y finalmente hará que la silla de ruedas falle.

L. Modificar su silla de ruedas


ADVERTENCIA


ADVERTENCIA: NADIE DEBE MODIFICAR ESTA SILLA DE RUEDAS, EXCEPTO AL AJUSTARLA DE ACUERDO CON ESTE MANUAL O AL AGREGAR LAS OPCIONES APROBADAS DE KI MOBILITY. NO EXISTEN OPCIONES APROBADAS QUE SIGNIFIQUEN TALADRAR O CORTAR EL CHASIS POR PARTE DE PERSONAS QUE NO SEAN TÉCNICOS CAPACITADOS DE KI MOBILITY. Su silla de ruedas fue diseñada y fabricada bajo estrictos controles de construcción. Una parte integral de este proceso es garantizar que los diversos componentes trabajen juntos correctamente; han sido probados según diversos estándares para garantizar la calidad y están aprobados para trabajar juntos. Póngase en contacto con un proveedor autorizado o Ki Mobility antes de agregar cualquier accesorio o componente no proporcionado por Ki Mobility. Las modificaciones u opciones no aprobadas pueden provocar caídas y causar lesiones graves o la muerte.


M. Estabilidad de la silla de ruedas

ADVERTENCIA

ADVERTENCIA: La estabilidad de la silla de ruedas puede alterarse cuando se transita sobre superficies flojas, accidentadas, desiguales (en subida o bajada) o resbaladizas (como hielo, arena, tierra suelta, césped, grava, baches, grietas y pavimentación rota). El uso en tales superficies podría hacer que la silla de ruedas se incline inesperadamente y provoque una caída o pérdida de control. Una caída o pérdida de control puede provocar daños a su silla de ruedas, lesiones graves o la muerte.

 Desplazar el peso sobre la silla de ruedas, agregarle cargas, transportar o extenderse para alcanzar objetos podría afectar la estabilidad de su silla. Por lo tanto, aumenta su riesgo de caerse o volcarse. Una caída o un vuelco pueden dañar su silla de ruedas, causar lesiones graves o la muerte.

 Evite vestirse o desvestirse en su silla de ruedas. Vestirse o desvestirse en su silla de ruedas hace que su peso cambie. Por lo tanto, aumenta su riesgo de caerse o volcarse. Una caída o un vuelco pueden dañar su silla de ruedas, causar lesiones graves o la muerte.

 Ki Mobility desaconseja balancearse sobre las ruedas posteriores con los casters levantados del suelo (también conocido como “caballito”). Es muy probable que se caiga o vuelque y podría provocar daños a su silla de ruedas, lesiones graves o la muerte. Si elige ignorar esta advertencia, no intente hacer un caballito a menos que haya sido capacitado por un profesional clínico o técnico. Siempre debe tener la ayuda de una persona capacitada y preparada para evitar que exceda su punto de inflexión.

III. AVISO - LEA ANTES DE USAR

M. Estabilidad de la silla de ruedas (continuación)

ADVERTENCIA

ADVERTENCIA: Si la silla de ruedas está equipada con un sistema para variar el ángulo de inclinación del chasis del asiento, antes de usarla cerciórese de que sea estable en todo el rango de posibles cambios de ángulo. Si la silla de ruedas no es estable en todo el rango de ángulos de inclinación, es inminente una caída o un vuelco. Una caída o un vuelco pueden dañar su silla de ruedas, causar lesiones graves o la muerte.

Estrategias para minimizar el riesgo de caerse:

- Asegúrese de que los antivuelco estén en la posición correcta (Consulte IV, U. para conocer el uso adecuado de los antivuelco).
- Inclínese hacia adelante al empujar para subir una pendiente.
- Inclínese hacia atrás al empujar para bajar una pendiente.
- Tenga un asistente detrás de usted para brindarle ayuda.
- El seteo de la silla de ruedas debe hacerlo sólo un técnico autorizado.
- Use siempre los accesorios proporcionados.
- La silla de ruedas debe ser regulada por un técnico autorizado siempre que se produzcan cambios en su peso o en el modo en que se sienta.
- Use siempre dispositivos antivuelco donde sea apropiado (Consulte IV, U. para conocer el uso adecuado de los antivuelco).

Para garantizar la estabilidad adecuada de su silla de ruedas, debe asegurarse de que el centro de gravedad y la base de apoyo de la silla de ruedas sean correctos para su equilibrio y habilidades. Muchos factores pueden afectar estos dos elementos:

- Altura del asiento
- Profundidad del asiento
- Angulación del espaldar
- Angulación del asiento
- Tamaño y posición de las ruedas posteriores
- Tamaño y posición de los casters
- Componentes del conjunto del asiento
- Posición de inclinación (si corresponde)


Hay acciones adicionales que pueden tener efectos adversos sobre la estabilidad de su silla de ruedas. Contacte a un profesional de tecnologías asistivas o a un profesional clínico familiarizado con sus necesidades y capacidades para determinar qué puede hacer de manera segura a la vez que conserva la estabilidad de su silla de ruedas.

III. AVISO - LEA ANTES DE USAR

N. Asientos postventa

ADVERTENCIA

ADVERTENCIA: Añadir un cojín en una silla de ruedas podría afectar el centro de gravedad de la misma. Los cambios en su centro de gravedad pueden afectar la estabilidad en su silla de ruedas, lo que puede provocar que vuelque o se caiga de la silla de ruedas, lo que puede provocar lesiones graves. Siempre revise las instrucciones de uso de su silla de ruedas para saber si puede ser necesario hacerle cambios a fin de garantizar suficiente estabilidad después de añadir un cojín.

 **La integridad de su piel puede verse afectada por muchos aspectos de su vida diaria y su condición médica, incluyendo el uso de este producto. Asegúrese de seguir los regímenes de cuidado de la piel establecidos por su médico. Los usuarios de este producto deben exigir que su piel sea controlada periódicamente a fin de detectar cambios según las indicaciones de su médico. Si no lo hace, podría sufrir lesiones graves o la muerte.**

Selección del producto de asiento adecuado

Debe consultar con un profesional con licencia (es decir, un médico o terapeuta) capacitado en asientos y posicionamiento de sillas de ruedas antes de seleccionar cualquier producto de asiento y posicionamiento. Esto ayudará a garantizar que reciba el producto adecuado para sus necesidades específicas.

IV. USO Y CONFIGURACIÓN DE LA SILLA DE RUEDAS

A. Cordones, Escalones y Peldaños



ADVERTENCIA: No suba ni baje más de 1 o 2 escalones o peldaños en su silla de ruedas. No suba ni baje más de 1 o 2 escalones o peldaños en su silla de ruedas. No atender estas advertencias puede dañar su silla, provocar una caída o pérdida de control y ocasionarles al usuario o a otras personas lesiones graves o la muerte.

- A. No intente subir o bajar un cordón o escalón estando solo A MENOS que tenga mucha experiencia con la silla de ruedas y:
 - a. Pueda hacer un “caballito” o “wheelie” con seguridad, y :
 - i. Esté cierto de tener la fuerza y el equilibrio necesarios para hacerlo.
 - ii. Desbloquee y gire los tubos antivuelco hacia arriba, fuera del camino, para que no interfieran.
 - iii. No intente subir o bajar de un cordón o escalón altos (más de 4 pulgadas de alto) A MENOS que tenga ayuda. Hacerlo puede provocar que la silla de ruedas supere su punto de equilibrio y se vuelque.
 - iv. Vaya recto hacia arriba y hacia abajo por un cordón o escalón. Si sube o baja en ángulo es probable una caída o vuelco.
 - v. Tenga en cuenta que el impacto de descender desde un cordón o escalón puede dañar su silla o aflojar los sujetadores.
- B. No suba ni baje escalones en su silla de ruedas - puede ser peligroso y provocar una caída que le cause daños a su silla de ruedas, y lesiones graves o la muerte del usuario o de quienes lo ayudan.

IV. USO Y CONFIGURACIÓN DE LA SILLA DE RUEDAS

B. Transferirse



ADVERTENCIA: Existen muchas técnicas de transferencia apropiadas y variadas según su nivel de discapacidad y sus capacidades funcionales individuales. Debe capacitarse junto a un profesional clínico en la técnica de transferencia adecuada para usted. Asegúrese de que puede transferirse de forma segura por su propia cuenta antes de intentar transferencias independientes. Esté atento: cada vez que se transfiera habrá un momento en el que la silla de ruedas no esté debajo de usted. No lograr transferirse correctamente puede dar como resultado una caída que podría provocar graves lesiones o la muerte.

NOTA: Antes de transferirse desde su silla de ruedas hacia otro asiento, debe hacer lo posible por reducir el espacio entre los mismos.

1. Enganche los bloqueos de las ruedas para bloquear las ruedas posteriores.
2. Gire los casters hacia adelante para aumentar la distancia entre ejes de la silla de ruedas.
3. Extraiga o haga pivotar los apoyapiés.
4. Salvo que haya adquirido mucha experiencia y habilidad para transferirse, pida ayuda a un asistente.

C. Uso en tránsito



ADVERTENCIA: Nunca viaje sentado en su silla de ruedas dentro de un vehículo automotor a menos que haya sido equipado con la opción Tránsito. Siempre es más seguro transferirse de su silla de ruedas hacia un asiento en un vehículo automotor con cinturones de seguridad del asiento y hombros apropiados. Viajar sentado en su silla de ruedas dentro de un vehículo automotor no equipado con la opción Tránsito podría provocar lesiones graves o la muerte.

La silla de ruedas equipada con la opción Tránsito ha sido probada y aprobada por RESNA WC-4, Capítulo 19: Sillas de ruedas utilizadas como asientos en vehículos automotores e ISO 7176-19 Sillas de ruedas - Parte 19: Dispositivos de movilidad con ruedas para su uso como asientos en vehículos automotores. Las normas RESNA e ISO están diseñadas para probar la integridad estructural de la silla de ruedas como asiento para su uso en un vehículo automotor. Estas normas también tienen el objetivo de crear compatibilidad con los sistemas de retención de silla de ruedas y ocupante (WTORS).

No todas las configuraciones de sillas de ruedas son compatibles con la opción de tránsito. La configuración es ámbito exclusivo de Ki Mobility, que no suministra esta silla de ruedas sin configuraciones compatibles. Si realiza cambios en su silla de ruedas después de recibirla, debe comunicarse con su proveedor de la silla de ruedas o con Ki Mobility para asegurarse de que sea apropiado continuar usando su silla de ruedas como asiento en un vehículo automotor.

Las sujeciones de cinturón pélvico resistentes a choques y las instrucciones de uso están disponibles en el Servicio al Cliente de Ki Mobility para ser utilizadas junto con un cinturón de hombro anclado en el vehículo.

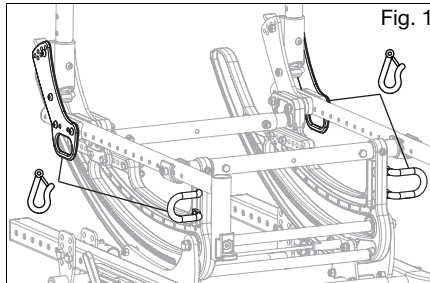
El asiento y el soporte del espaldar originales, diseñados y probados como parte de la opción Tránsito, pueden haber sido reemplazados con asientos postventa. Su proveedor de la silla de ruedas debe poder informarle si los asientos recibidos son equipos originales o asientos postventa. Antes de viajar sentado en una silla de ruedas equipada con la opción Tránsito en un vehículo a motor, debe haber ya un sistema completo de chasis y asiento de silla de ruedas, un sistema de retención de silla de ruedas y ocupante (WTORS), así como un vehículo a motor debidamente equipado, y el sistema por entero debe cumplir con las normas mencionadas en este capítulo.

Cada vez que viaje sentado en su silla de ruedas dentro de un vehículo automotor, cumpla las siguientes instrucciones:

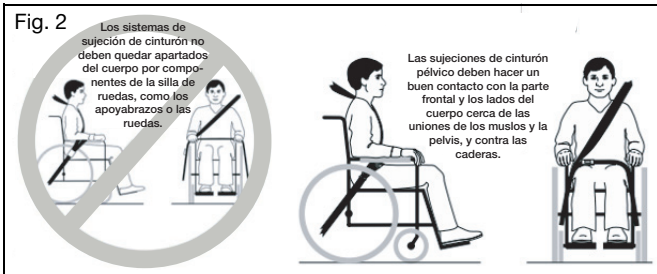
IV. USO Y CONFIGURACIÓN DE LA SILLA DE RUEDAS

C. Uso en tránsito (continuación)

- El pasajero debe sentarse orientado en el sentido de marcha.
- El pasajero y todos los artículos transportados no deben pesar más de 300 libras (136 kg).
- Algunas configuraciones de este modelo pueden superar las 28,5 pulgadas (724 mm) de ancho, que es el ancho mínimo para las plataformas elevadoras en vehículos que cumplen con ADA.
- En el caso de una silla de ruedas pesada y de gran tamaño, se recomienda el transporte en vehículos más grandes cuando exista la posibilidad.
- Las mochilas y bolsas deben retirarse y asegurarse por separado en el vehículo automotor. En caso de accidente, estos elementos pueden convertirse en proyectiles peligrosos que pueden lesionar o matar a usted u otro ocupante del vehículo automotor.
- El pasajero debe usar un sistema de retención de silla de ruedas y ocupante que cumpla con RESNA WC-4, Capítulo 18: Sistemas de sujeción de sillas de ruedas y restricción del pasajero para uso en vehículos automotores o ISO 10542-1 Sistemas técnicos y auxilios para personas discapacitadas o minusválidas - Sistemas de retención de silla de ruedas y ocupante - Parte 1: Requisitos y métodos de prueba para todos los sistemas.
- Fije los amarres de la silla de ruedas a los cuatro puntos de anclaje (dos delanteros, dos traseros) de la silla de ruedas equipada con la opción Tránsito (Fig. 1) cumpliendo con las instrucciones del fabricante de los amarres para silla de ruedas y con la norma RESNA WC-4, Capítulo 18 o ISO 10542-1, Parte 1.
- Use únicamente los puntos de fijación designados para sujetar su silla de ruedas a un vehículo.



- Fije las retenciones para el ocupante siguiendo las instrucciones del fabricante de las mismas y la norma RESNA WC-4, Capítulo 18 o ISO 10542-1, Parte 1.
- Se deben usar ambas sujeciones, de cinturón pélvico y de hombro, a fin de reducir la posibilidad de impactos de la cabeza y el pecho con los componentes del vehículo.



IV. USO Y CONFIGURACIÓN DE LA SILLA DE RUEDAS

C. Uso en tránsito (continuación)

ADVERTENCIA

ADVERTENCIA: Asegúrese de que los mecanismos de liberación de la sujeción no se vean activados por los componentes de la silla de ruedas durante una colisión. La activación de los mecanismos de liberación de la sujeción durante una colisión puede provocar lesiones graves o la muerte.

- No deben utilizarse apoyacabezas, soportes laterales u otros accesorios de posicionamiento ni se debe depender de ellos como sujeción del ocupante. Estos cinturones deben colocarse de tal manera que no interfieran con el posicionamiento adecuado de las sujeciones de cinturón resistentes a colisiones y no se debe depender de ellos para la protección de los ocupantes en situaciones de colisión, a menos que el cinturón postural se haya diseñado para que cumpla con los requisitos 4.6, 5.2, 5.3 y 6.1 de la norma RESNA WC-4.

ADVERTENCIA

ADVERTENCIA: Los soportes del espaldar con ángulos de inclinación ajustables no deben estar reclinados a más de 30 grados de la vertical durante el viaje del vehículo, a menos que sea necesario por las necesidades posturales y médicas del ocupante. Después de adaptarse y regularse, la parte superior de la superficie de soporte del espaldar debe estar a 4 pulgadas (10,2 cm) de la parte superior de su hombro. No regular debidamente el soporte del espaldar y los ángulos de inclinación puede dar como resultado lesiones graves o la muerte.

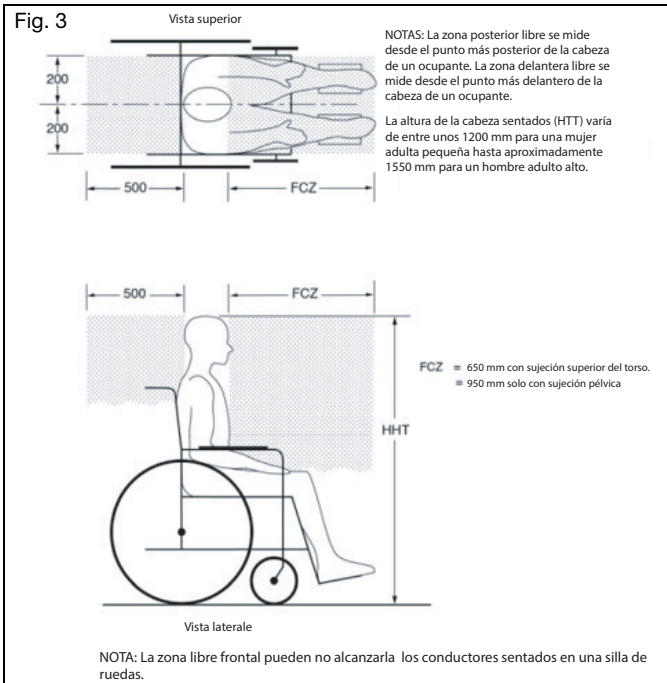
- Todo asiento postventa debe ser testeado y comprobar que sea conforme a la norma RESNA WC-4, Capítulo 20 o ISO 16840-4 - Parte 4.
- Fije el asiento al chasis de la silla de ruedas siguiendo las instrucciones del fabricante del asiento y la norma RESNA WC-4, Capítulo 20 o ISO 16840-4 - Parte 4.
- Accesorios como bandejas, tubos de oxígeno y sus respectivos soportes, portasueros, mochilas, bolsas y cualquier otro artículo no fabricado por Ki Mobility, deben retirarse y sujetarse por separado en el vehículo automotor. En caso de accidente, estos elementos pueden convertirse en proyectiles peligrosos que pueden lesionar o matar a usted u otro ocupante del vehículo automotor.
- Si la silla de ruedas hubiese estado involucrada en un accidente de tránsito, interrumpa su uso puesto que pueden haberse creado desgastes o daños no visibles.

IV. USO Y CONFIGURACIÓN DE LA SILLA DE RUEDAS

C. Uso en tránsito (continuación)

⚠️ ADVERTENCIA ⚠️

ADVERTENCIA: Si los componentes interiores del vehículo no se pueden retirar de la zona despejada, especialmente los que están cerca de la cabeza del ocupante durante un impacto lateral o una volcadura del vehículo, deben estar acolchados con material que cumpla con la norma FMVSS 201. No acolchar los componentes interiores de la zona despejada puede dar como resultado lesiones graves o la muerte.



IV. USO Y CONFIGURACIÓN DE LA SILLA DE RUEDAS

C. Uso en tránsito (continuación)



ADVERTENCIA

ADVERTENCIA: Quite y asegure cualquier elemento fijado temporalmente a la silla mientras está en un vehículo automotor. Dejar puestos elementos sobre la bandeja de ventilación, de la batería o en el soporte del tubo de oxígeno sin fijarlos de manera adecuada y por separado en un vehículo automotor podría convertirlos en peligrosos proyectiles durante un accidente. Además, los tubos de oxígeno contienen un gas altamente presurizado que acelera vigorosamente la combustión. Estos factores pueden provocar lesiones graves o la muerte del usuario o cualquier otra persona en el vehículo.

- Antes de viajar sentado en esta silla de ruedas dentro de un vehículo automotor, retire cualquier elemento fijado a la bandeja de ventilación, de la batería o al soporte del tubo de oxígeno y guárdelos al seguro por separado.
- Si la silla de ruedas viene con soporte para tubo de oxígeno, nunca la use para viajar sentado en ella dentro de un vehículo automotor.

NOTA: Para obtener copias de las normas RESNA o ISO, comuníquese con las siguientes organizaciones titulares de las mismas:

RESNA

www.resna.org

Normas ANSI/RESNA:

RESNA WC-4, Capítulo 18:

Sistemas de retención de silla de ruedas y ocupante para uso en vehículos automotores.

RESNA WC-4, Capítulo 19:

Sillas de ruedas utilizadas como asientos en vehículos automotores.

RESNA WC-4, Capítulo 20:

Sistemas de asientos para sillas de ruedas para usar en vehículos automotores.

Organización Internacional de Normalización (ISO)

www.iso.org

Normas ISO:

ISO 10542-1 Sistemas técnicos y auxilios para personas discapacitadas o minusválidas –

Sistemas de retención de silla de ruedas y ocupante - Parte 1:

Requisitos y métodos de prueba para todos los sistemas.

ISO 16840-4 Asientos de silla de ruedas - Parte 4:

Sistemas de asientos para uso en vehículos automotores.

ISO 7176-19 Sillas de ruedas - Parte 19:

Dispositivos de movilidad con ruedas para su uso como asientos en vehículos automotores.

Ministerio de Transportes de los E.E.U.U.

FMVSS 201

www.nhtsa.gov

Protección del ocupante durante un impacto interno – Protección de la parte superior de la cabeza durante un impacto

Resultados de la prueba de tránsito

La calificación de la estabilidad lateral es Buena.

Tipo de sujeción - De tres puntos

La calificación de un fácil posicionamiento adecuado de un cinturón de tres puntos es Excelente


La calificación del grado en que se puede lograr el cinturón de tres puntos adecuado es 16/16.

IV. USO Y CONFIGURACIÓN DE LA SILLA DE RUEDAS

D. Uso del cojín

ADVERTENCIA

ADVERTENCIA: Evite sentarse durante largos períodos de tiempo sin un cojín de silla de ruedas adecuado. Sentarse por largos períodos de tiempo sin un cojín de silla de ruedas adecuado podría causar úlceras por presión que podrían provocar infecciones graves o incluso la muerte.

 **Sujete el cojín antes de usarlo o de transferirse. Si el cojín no está correctamente sujetado, puede deslizarse fuera de la silla de ruedas durante el uso o las transferencias, dando como resultado caídas o pérdida de control. Una caída o pérdida de control puede provocar daños a su silla o lesiones graves o la muerte a usted u otros.**

- a. Esta silla de ruedas fue diseñada para usarse con un cojín de silla de ruedas adecuado.
- b. El tapizado estándar de la eslinga viene con tiras autoajustables de gancho y bucle. El cojín que se utilice debe contar con sujetadores de tipo gancho que puedan pegarse a los bucles de la eslinga del asiento para evitar que el cojín se le deslice debajo de usted. Asegúrese de que el cojín esté bien sujeto antes de transferirse o sentarse en la silla de ruedas.
- c. Es posible que la silla de ruedas no haya sido suministrada con una eslinga estándar de asiento. Consulte con el proveedor de su silla de ruedas si la eslinga del equipo original ha sido sustituida por un accesorio postventa. En tal caso, cumpla con las indicaciones de uso del fabricante del accesorio postventa.

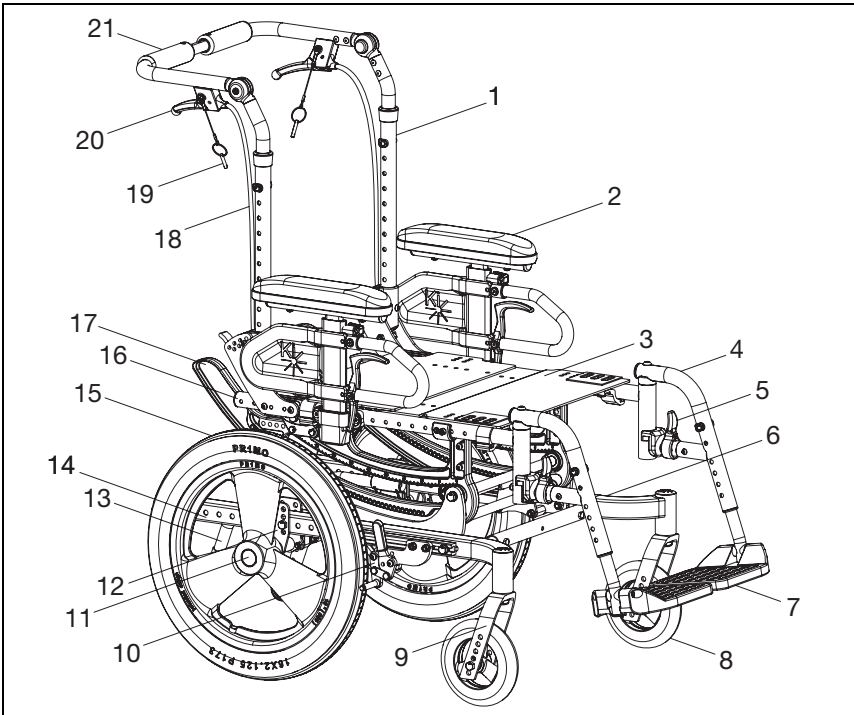
E. Transporte de una silla de ruedas desocupada

Las sillas de ruedas Ki Mobility son generalmente adecuadas para ser transportadas en vehículos de motor y aviones. Las sillas de ruedas siempre deben estar sujetadas (se requieren instrucciones específicas del transportista). En función de la configuración de la silla de ruedas, cualquier silla de ruedas en particular puede ser demasiado grande para el transporte en algunos vehículos de motor o aviones. Consulte otros capítulos sobre cómo desmontar opcionales y accesorios para disminuir el tamaño con objeto de guardarla.

IV. USO Y CONFIGURACIÓN DE LA SILLA DE RUEDAS

F. Su CR45 y sus partes

1. Inspeccione y lleve a cabo la manutención de su silla de ruedas según el capítulo Manutención y Cuidado.
2. En caso de detectar un problema, póngase en contacto de inmediato con el distribuidor oficial.



- | | |
|-----------------------------------|---------------------------------------|
| 1. Vara del espaldar | 12. Placa del eje |
| 2. Brazo en T de altura regulable | 13. Antivuelco |
| 3. Asiento | 14. Tubo de la base |
| 4. Barra pivotante (swing away) | 15. Rueda posterior |
| 5. Palanca abatible | 16. Tubo del asiento |
| 6. Brazo del caster | 17. Chasis giratorio |
| 7. Apoyapiés | 18. Cable de inclinación |
| 8. Rueda caster | 19. Pasador de bloqueo del gatillo |
| 9. Horquilla del caster | 20. Gatillo de bloqueo de inclinación |
| 10. Seguro de las ruedas | 21. Manija de empuje |
| 11. Eje de liberación rápida | |

Pesos máximos del usuario de CR45

Nombre de MD	Prefijo serial	Peso máximo estándar del usuario (LB)	Peso máximo estándar del usuario (KG)
CR45	CR45	300	136

IV. USO Y CONFIGURACIÓN DE LA SILLA DE RUEDAS

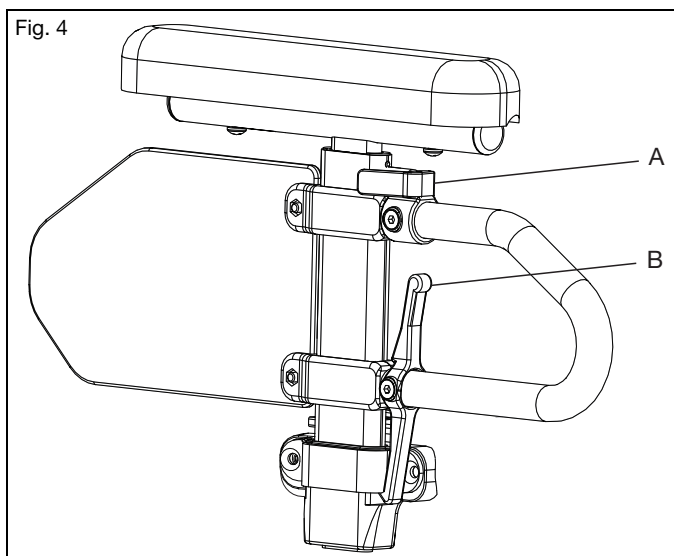
G. Brazo en T de altura regulable

⚠ ADVERTENCIA ⚠

ADVERTENCIA: Estos brazos pueden bloquearse sólo contra la rotación y están diseñados para resistir fuerza descendente únicamente. Si se los tira hacia arriba se saldrán por completo. No deben usarse para levantar o movilizar la silla de ruedas de cualquier otro modo. El incumplimiento de estas instrucciones puede causar que el apoyabrazos se salga de la silla de ruedas accidentalmente y dé como resultado una caída o pérdida de control y, a su vez, provocar grave daño o muerte.

Cómo usar el apoyabrazos

1. Instalación
 - a. Inserte el bastón exterior del brazo en el correspondiente alojamiento del chasis de la silla de ruedas.
 - b. El apoyabrazos se fijará automáticamente en su lugar. Verifique que la palanca de bloqueo esté como se muestra (Fig. 4:B).
2. Regular la altura
 - a. Gire la palanca de liberación (Fig. 4:A).
 - b. Deslice la almohadilla del apoyabrazos hacia arriba o hacia abajo hasta la altura deseada.
 - c. Coloque nuevamente la palanca en posición bloqueada contra el bastón del brazo.
 - d. Empuje la almohadilla hasta que la parte superior del brazo quede bien sujeta en su lugar. Verifique que la palanca de bloqueo esté como se muestra (Fig. 4:A).
3. Extraer el apoyabrazos
 - a. Presione la palanca de liberación (Fig. 4:B) y extraiga el apoyabrazos.



IV. USO Y CONFIGURACIÓN DE LA SILLA DE RUEDAS

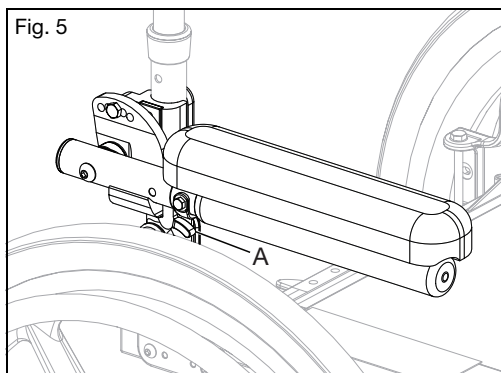
H. Apoyabrazos abatible y extensible con bloqueo de la regulación del ángulo

⚠ **ADVERTENCIA** ⚠

ADVERTENCIA: Estos brazos pueden bloquearse sólo contra la rotación y están diseñados para resistir fuerza descendente únicamente. Si se los tira hacia arriba se saldrán por completo. No deben usarse para levantar o movilizar la silla de ruedas de cualquier otro modo. El incumplimiento de estas instrucciones puede causar que el apoyabrazos se salga de la silla de ruedas accidentalmente y dé como resultado una caída o pérdida de control y, a su vez, provocar grave daño o muerte.

Cómo usar el apoyabrazos

1. Deslice el apoyabrazos hacia arriba
 - a. Presione la palanca de liberación (Fig. 5:A) hacia arriba para liberar el apoyabrazos.
 - b. Gire el apoyabrazos liberado hacia arriba.
2. Vuelva a colocar el apoyabrazos en la posición de funcionamiento
 - a. Para regresar el apoyabrazos a la posición de operación, empuje el apoyabrazos hacia abajo hasta que la palanca haga clic y se bloquee.



IV. USO Y CONFIGURACIÓN DE LA SILLA DE RUEDAS

I. Barras pivotantes (swing away)

⚠️ **ADVERTENCIA** ⚠️

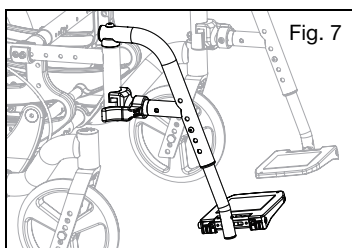
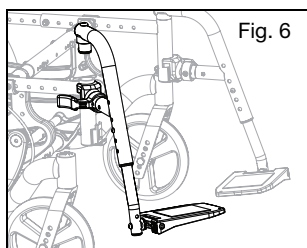
ADVERTENCIA: Asegúrese de que las barras estén bloqueadas en su lugar antes de usar o trasladarse en su silla de ruedas. Las barras sueltas pueden provocar caídas y por consiguiente grave daño o muerte.

⚠️ Preste suma atención a no tropezar o caer mientras se transfiere. Asegúrese de que sus pies no queden atrapados en el espacio entre los apoyapiés y evite cargar peso sobre ellos: la silla podría inclinarse hacia adelante y provocar una caída con consiguientes graves lesiones o muerte.

Cómo usar las barras

1. Instalación

- Inserte el receptor pivotante del swing-away en el alojamiento que se halla en el tubo frontal del chasis, con el apoyapiés mirando hacia adentro o hacia afuera con respecto al chasis (Fig. 6).
- Haga rotar el apoyapiés de manera tal que quede alineado con el chasis y se fije en su lugar dentro del pestillo de bloqueo (Fig. 7).



2. Cómo pivotar el apoyapiés hacia afuera

- Empuje el pestillo de liberación hacia el chasis.
- Gire el apoyapiés hacia afuera o hacia adentro según lo necesite.

3. Para quitarlo


- Para extraer el apoyapiés, empuje el pestillo de liberación hacia el chasis.
- Alce directamente el apoyapiés hacia arriba para extraerlo. También puede hacer pivotar el apoyapiés hacia adentro o hacia afuera antes de alzarlo y quitarlo.

IV. USO Y CONFIGURACIÓN DE LA SILLA DE RUEDAS

J. Barras pivotantes (swing away) con seguro de 4 vías

ADVERTENCIA

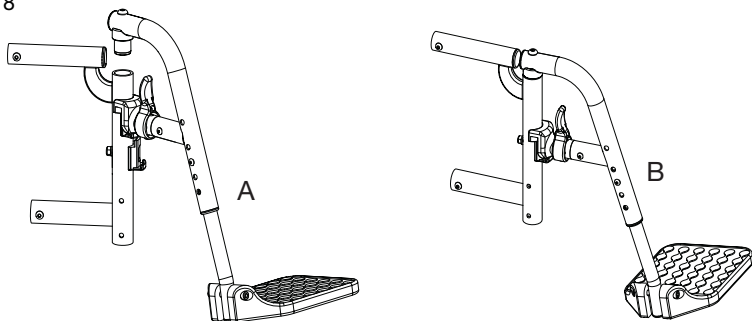
ADVERTENCIA: Asegúrese de que las barras estén fijas en su lugar antes de usar la silla de ruedas. Las barras que están sueltas durante el uso de la silla de ruedas pueden provocar caídas y por consiguiente grave daño o muerte.

 Preste suma atención a no tropezar o caer mientras se transfiere. Asegúrese de que sus pies no queden atrapados en el espacio entre los apoyapiés y evite cargar peso sobre ellos: la silla podría inclinarse hacia adelante y provocar una caída con consiguientes graves lesiones o muerte.

Cómo usar las barras con pestillo a 4 vías

1. Instalación
 - a. Inserte el receptor pivotante del swing-away en el alojamiento que se halla en el tubo frontal del chasis (Fig. 8:A)
 - b. Haga rotar el apoyapiés de manera tal que quede alineado con el chasis y se fije en su lugar dentro del pestillo de bloqueo (Fig. 8:B).
2. Cómo pivotar el apoyapiés hacia afuera
 - a. Empuje o tire el pestillo de liberación.
 - b. Gire el apoyapiés hacia afuera o hacia adentro según lo necesite.
3. Para quitarlo
 - a. Para quitar el apoyapiés, empuje o tire del pestillo de liberación.
 - b. Alce directamente el apoyapiés hacia arriba para extraerlo. También puede hacer pivotar el apoyapiés hacia adentro o hacia afuera antes de alzarlo y quitarlo.

Fig. 8



IV. USO Y CONFIGURACIÓN DE LA SILLA DE RUEDAS

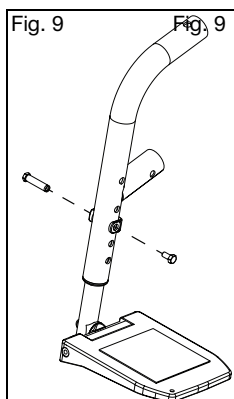
K. Tubos de extensión

ADVERTENCIA

ADVERTENCIA: Verifique que las barras estén bloqueadas en su lugar antes de usar o trasladarse con la silla de ruedas. Las barras sueltas pueden provocar caídas y por consiguiente grave daño o muerte.

Cómo ajustar los tubos de extensión

1. Extraiga los sujetadores de montaje de cada lado del tubo de la barra.
2. Deslice el tubo de extensión del apoyapiés hasta la altura deseada.
3. Alinee los orificios y vuelva a montar los sujetadores en el orificio deseado a través de la barra y el tubo de extensión.
4. Repita los pasos 1 - 3 en el lado opuesto (Fig. 9).



L. Alzar el apoyapiernas

ADVERTENCIA

ADVERTENCIA: Asegúrese de que las barras estén fijas en su lugar antes de usar la silla de ruedas. Las barras que están sueltas durante el uso de la silla de ruedas pueden provocar caídas y por consiguiente grave daño o muerte.



Preste suma atención a no tropezar o caer mientras se transfiere. Asegúrese de que sus pies no queden atrapados en el espacio entre los apoyapiés y evite cargar peso sobre ellos: la silla podría inclinarse hacia adelante y provocar una caída con consiguientes graves lesiones o muerte.

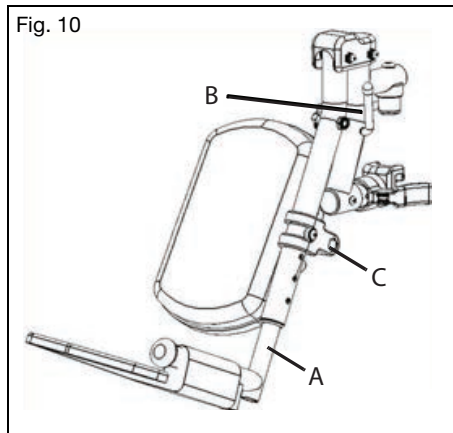
Cómo usar el apoyapiernas elevable

1. Instalar el apoyapiernas elevable
 - a. Inserte el receptor pivotante del swing-away en el alojamiento que se halla en el tubo frontal del chasis con el apoyapiés mirando hacia adentro o hacia afuera con respecto al chasis. De modo similar al apoyapiés swing-away que se ilustra en la Fig. 8.
 - b. Haga rotar el apoyapiés de manera tal que quede alineado con el chasis y se fije en su lugar dentro del pestillo de bloqueo.

IV. USO Y CONFIGURACIÓN DE LA SILLA DE RUEDAS

L. Alzar el apoyapiernas (continuación)

2. Extraer el apoyapiernas elevable
 - a. Para quitar el apoyapiés, empuje o tire de la palanca de liberación.
 - b. Rote el apoyapiés hacia afuera y álcelo.
3. Ajuste del tubo de extensión
 - a. Retire el perno de montaje enroscado en el tubo del apoyapiernas al centro del soporte de la almohadilla (Fig. 10:C). En algunos casos, este perno puede estar insertado en el tubo debajo del soporte pivotante.
 - b. Deslice el tubo de extensión del apoyapiés hasta la altura deseada.
 - c. Alinee los orificios y vuelva a colocar el perno a través del tubo del apoyapiernas y el tubo de extensión.
 - d. Repita los pasos a - c en el lado opuesto.
4. Regulación del ángulo del apoyapiernas
 - a. Para elevarlo, alce la parte posterior del tubo de extensión (Fig. 10:A). La varilla se deslizará a través de la rueda dentada en esta dirección. Deténgase en la posición deseada.
 - b. Para bajar, sostenga firmemente la pierna por detrás del tubo de extensión (Fig. 10:A). Tire de la palanca hacia adelante (Fig. 10:B) y, mientras sostiene la palanca, alce el apoyapiernas. Al soltar la palanca, el apoyapiernas se bloqueará en su posición.




IV. USO Y CONFIGURACIÓN DE LA SILLA DE RUEDAS

M. Apoyapiernas elevable profesional

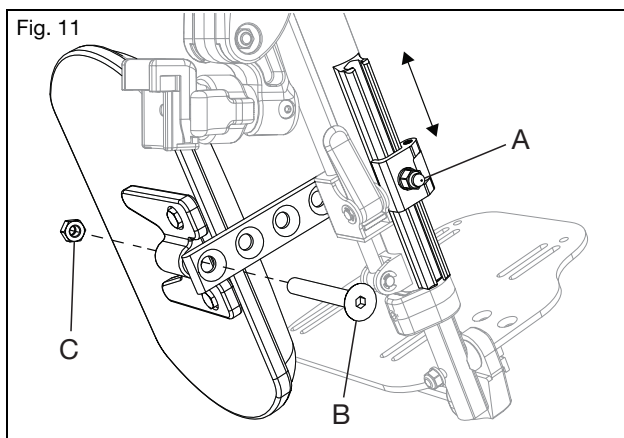
ADVERTENCIA

ADVERTENCIA: Asegúrese de que las barras estén fijas en su lugar antes de usar la silla de ruedas. Las barras que están sueltas durante el uso de la silla de ruedas pueden provocar caídas y por consiguiente grave daño o muerte.

 Preste suma atención a no tropezar o caer mientras se transfiere. Asegúrese de que sus pies no queden atrapados en el espacio entre los apoyapiés y evite cargar peso sobre ellos: la silla podría inclinarse hacia adelante y provocar una caída con consiguientes graves lesiones o muerte.

Cómo usar el apoyapiernas elevable profesional

1. Instalar el apoyapiernas elevable profesional
 - a. Inserte el receptor pivotante del swing-away en el alojamiento que se halla en el tubo frontal del chasis con el apoyapiernas mirando hacia adentro o hacia afuera con respecto al chasis. De modo similar al apoyapiés swing-away que se ilustra en la Fig. 8.
 - b. Haga rotar el apoyapiernas de manera tal que quede alineado con el chasis y se fije en su lugar dentro del pestillo de bloqueo.
2. Regule la altura de la pantorrillera
 - a. Afloje la tuerca (Fig. 11:A) usando una llave de 10 mm.
 - b. Deslice el brazo de la pantorrillera hacia arriba o hacia abajo hasta llegar a la ubicación deseada.
 - c. Vuelva a apretar la tuerca.
3. Regule la profundidad de la pantorrillera
 - a. Quite el tornillo (Fig. 11:B) y la tuerca (Fig. 11:C) en el brazo de la pantorrillera con una llave Allen de 5 mm y una llave de 13 mm.
 - b. Elija la ubicación deseada según los cuatro orificios pretaladrados y vuelva a instalar el tornillo y la tuerca.

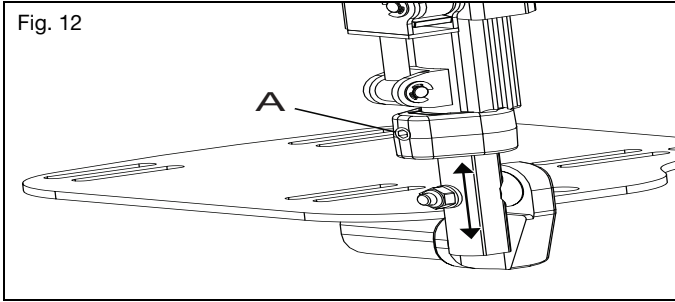


IV. USO Y CONFIGURACIÓN DE LA SILLA DE RUEDAS

M. Apoyapiernas elevable profesional (continuación)

4. Regular la longitud del apoyapiés

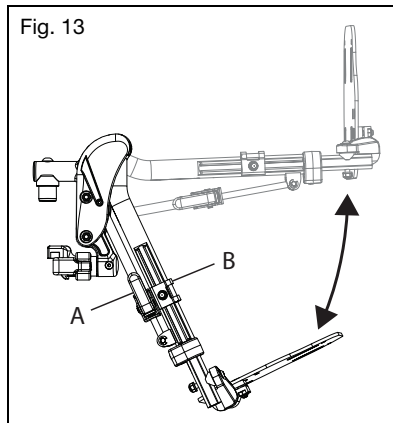
- Afloje el tornillo prisionero (Fig. 12:A) con una llave Allen de 4 mm.
- Deslice el tubo de extensión hacia adentro o hacia afuera para alcanzar la longitud deseada y asegúrelo apretando el tornillo prisionero.



5. Alzar/bajar el apoyapiernas elevable profesional

Extraiga el apoyapiernas elevable profesional de la silla de ruedas o bien quítele peso de encima al apoyapiernas elevable profesional mientras lo baja para evitar una caída repentina cuando se presiona el bloqueo de la palanca. Si es necesario, la pantorrillera también puede girar hacia afuera para despejar el frente de la silla durante ciertos movimientos.

- Para elevar el apoyapiernas elevable profesional, alce su tubo (Fig. 13:A) al ángulo de elevación deseado.
- Para bajar el apoyapiernas elevable profesional, mantenga presionado el bloqueo de la palanca (Fig. 13:B) mientras empuja el tubo del apoyapiernas (Fig. 13:A) hacia abajo.
- Vuelva a apretar la tuerca.



6. Extraer el apoyapiernas elevable profesional

- Para extraer el apoyapiernas, empuje o tire el pestillo de liberación.
- Levante el apoyapiernas directamente hacia arriba para quitarlo. También puede pivotar el apoyapiernas hacia adentro o hacia afuera antes de extraerlo alzándolo.

IV. USO Y CONFIGURACIÓN DE LA SILLA DE RUEDAS

N. Apoyapiernas elevable pediátrico

ADVERTENCIA

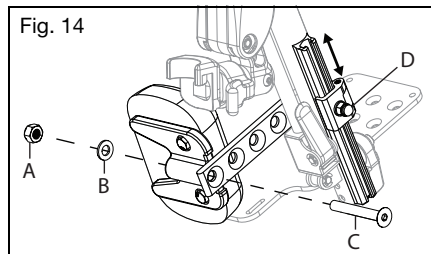
ADVERTENCIA: Asegúrese de que las barras estén fijas en su lugar antes de usar la silla de ruedas. Las barras que están sueltas durante el uso de la silla de ruedas pueden provocar caídas y por consiguiente grave daño o muerte.



Preste suma atención a no tropezar o caer mientras se transfiere. Asegúrese de que sus pies no queden atrapados en el espacio entre los apoyapiés y evite cargar peso sobre ellos: la silla podría inclinarse hacia adelante y provocar una caída con consiguientes graves lesiones o muerte.

Cómo usar el apoyapiernas elevable pediátrico

1. Instalar el apoyapiernas elevable pediátrico
 - a. Inserte el receptor pivotante del swing-away en el alojamiento que se halla en el tubo frontal del chasis con el apoyapiernas mirando hacia adentro o hacia afuera con respecto al chasis. De modo similar al apoyapiés swing-away que se ilustra en la Fig. 8.
 - b. Haga rotar el apoyapiernas de manera tal que quede alineado con el chasis y se fije en su lugar dentro del pestillo de bloqueo.
2. Regule la altura de la pantorrillera
 - a. Afloje la tuerca (Fig. 14:D) usando una llave de 10 mm.
 - b. Deslice el brazo de la pantorrillera hacia arriba o hacia abajo hasta llegar a la ubicación deseada.
 - c. Vuelva a apretar la tuerca.
3. Regule la profundidad de la pantorrillera
 - a. Quite el tornillo (Fig. 14:C), la arandela (Fig. 14:B) y la tuerca (Fig. 14:A) en el brazo de la pantorrillera con una llave Allen de 5 mm y una llave de 13 mm.
 - b. Elija la ubicación deseada según los cuatro orificios pretaladrados y vuelva a instalar el tornillo y la tuerca.

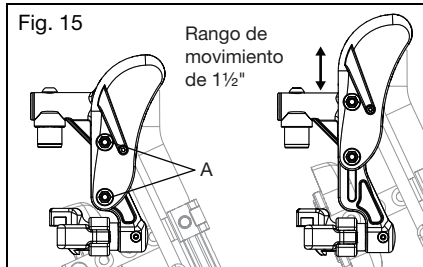


IV. USO Y CONFIGURACIÓN DE LA SILLA DE RUEDAS

N. Apoyapiernas elevable pediátrico (continuación)

4. Ajuste de la altura de la rodilla

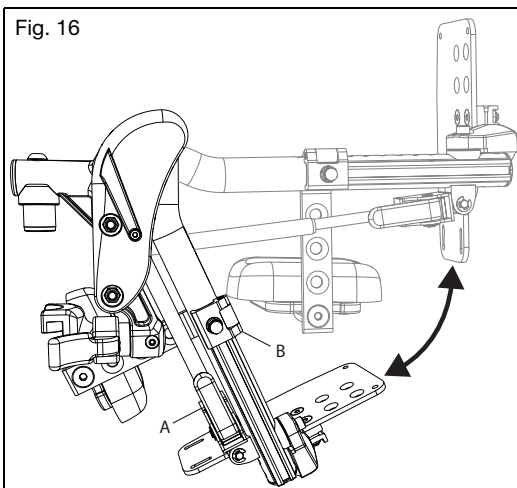
- Use dos llaves de cubo de 10 mm para aflojar las tuercas (Fig. 15:A) en la cubierta.
- Ajuste la altura de la rodilla a la configuración deseada.
- Vuelva a apretar las tuercas para asegurar la altura de la rodilla.



5. Usar el apoyapiernas elevable pediátrico

Quite el apoyapiernas elevable pediátrico profesional de la silla o quite peso del apoyapiernas elevable pediátrico profesional mientras lo baja para evitar una caída repentina cuando se presiona el bloqueo de la palanca.

- Para elevar, levante el tubo del apoyapiernas (Fig. 16:A) al ángulo de elevación deseado.
 - Para bajarlo, mantenga presionado el bloqueo de la palanca (Fig. 16:B) mientras empuja el tubo del apoyapiernas (Fig. 16:A) hacia abajo.
- ### 6. Quitar el apoyapiernas elevable pediátrico
- Para extraer el apoyapiernas, empuje o tire el pestillo de liberación.
 - Levante el apoyapiernas directamente hacia arriba para quitarlo. También puede pivotar el apoyapiernas hacia adentro o hacia afuera antes de extraerlo alzándolo.



IV. USO Y CONFIGURACIÓN DE LA SILLA DE RUEDAS

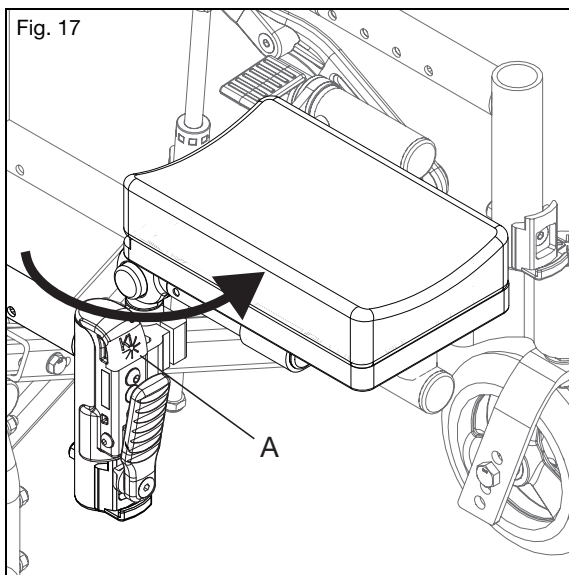
O. Apoyo para la extremidad residual (RLS)

ADVERTENCIA

ADVERTENCIA: No cargue su peso corporal ni se suba al apoyo RSL al transferirse de la silla de ruedas. Esto puede provocar inestabilidad en la silla y causar una caída, lesiones graves o la muerte.

Cómo usar el apoyo RLS

1. Para instalarlo
 - a. Coloque el receptor pivotante RLS en el alojamiento que está en el chasis del tubo frontal (Fig. 17:A).
 - b. Gire el RLS hasta que se alinee con el chasis y se bloquee en su lugar.
 - c. Ajuste las abrazaderas debajo de la almohadilla RLS a la altura vertical adecuada para el usuario.
 - d. Regule la angulación de la almohadilla RSL según sea adecuada para el usuario.
2. Para quitarlo
 - a. Para quitar el RSL, empuje la palanca de liberación hacia la silla.
 - b. Levante directamente el RLS hacia arriba para quitarlo. También puede hacer pivotar el apoyapiés hacia adentro o hacia afuera antes de alzarlo y quitarlo.

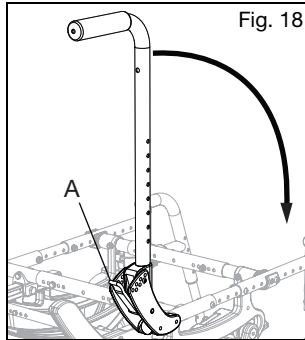


IV. USO Y CONFIGURACIÓN DE LA SILLA DE RUEDAS

P. Espaldar

Cómo doblar el espaldar hacia abajo

1. Empuje las palancas (Fig. 18:A) hacia la parte delantera de la silla para desenganchar los pestillos. Si el asiento del espaldar está instalado, ambos pestillos deben desconectarse simultáneamente para permitir que se pliegue el espaldar.
2. Empuje hacia adelante el espaldar para girarlo hacia abajo. Una vez que comience a girar hacia adelante, pueden liberarse las palancas de los pestillos.



Q. Espaldar reclinable

Cómo reclinarse e inclinar el espaldar

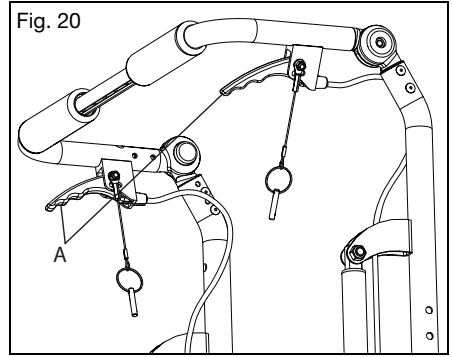
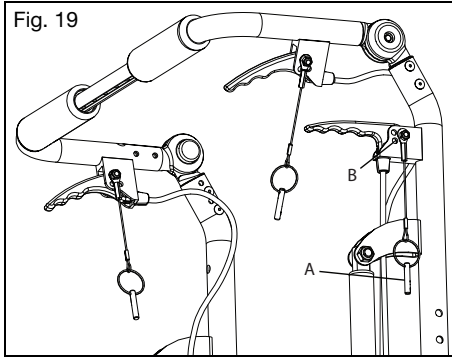
NOTA: Fig. 19 muestra la configuración de la inclinación de mano. La figura 20 muestra la configuración de la inclinación de pie.

1. Para desbloquear el sistema antes del ajuste de la reclinación o inclinación, quite el pasador de bloqueo (Fig. 19:A) del orificio de bloqueo (Fig. 19:B) de cada gatillo de reclinación.
2. Asegúrese de que los seguros de las ruedas estén activados y que la silla de ruedas esté en una superficie a nivel.
3. Agarre las manijas con firmeza y lentamente presione ambos gatillos de reclinación (Fig. 20:A) al mismo tiempo para liberar los cilindros de gas. Podrá así regular la posición del espaldar de la siguiente manera:
 - a. Reclinarse - para abrir el ángulo del espaldar con respecto al chasis del asiento, es decir para reclinarse, presione hacia abajo con fuerza sobre los resortes de gas.
 - b. Inclinación - regrese a la posición vertical aplicando fuerza hacia arriba y empujando el espaldar hacia la parte delantera del mismo.
4. Una vez que se haya alcanzado el ángulo de reclinación deseada del espaldar, suelte lentamente ambos gatillos reclinables.

IV. USO Y CONFIGURACIÓN DE LA SILLA DE RUEDAS

Q. Espaldar reclinable (continuación)

5. Para bloquear el sistema, inserte la traba en el orificio de bloqueo. Se recomienda que siempre bloquee ambos gatillos del espaldar reclinable cuando haya terminado de posicionar al paciente.



R. Mecanismo de inclinación



ADVERTENCIA

ADVERTENCIA: No deje desatendida una silla ocupada con los gatillos asegurados en posición de desbloqueo. Dejar a alguien desatendido en una silla con los gatillos asegurados en posición de desbloqueo podría causar una volcadura que ocasionara lesiones graves o la muerte.

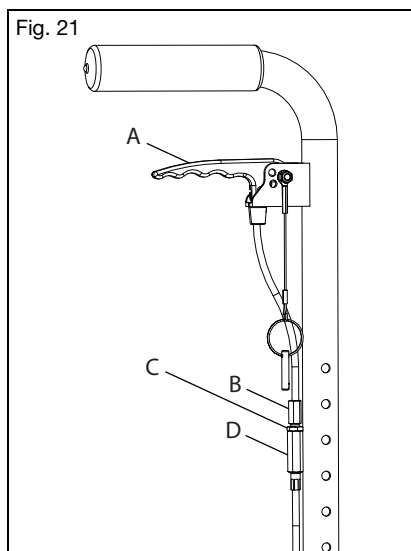
Cómo utilizar la inclinación accionada a mano (gatillo)

1. Inclinación del chasis del asiento
 - a. Apriete el gatillo (Fig. 21:A).
 - b. Mientras mantiene los gatillos presionados, gire el chasis del asiento a la posición deseada.
 - c. Suelte el gatillo para bloquearlo en su sitio.
2. Ajuste del cable de inclinación
 - a. Desbloquee la contratuerca (Fig. 21:C) del cuerpo del ajustador del cable (Fig. 21:D) con una llave de 10 mm y 3/8" de extremo abierto.
 - b. Enrosque el ajustador del cable (Fig. 21:B) hacia adentro o afuera hasta que se elimine la holgura del cable, pero también que los engranajes sigan estando completamente asentados en los dientes de los chasis giratorios.
 - c. Confirme la función del cable. El mecanismo de inclinación debe bloquearse en todas las ubicaciones y los engranes no deben arrastrarse por los dientes en ningún lugar. Si los engranes se arrastran o si los gatillos tienen juego excesivo, debe desenrollarse más el ajustador de cable. Si el engrane se desconecta en cualquier medida de los dientes, el ajustador debe enrollarse más en el cuerpo.

IV. USO Y CONFIGURACIÓN DE LA SILLA DE RUEDAS

R. Mecanismo de inclinación (continuación)

- d. Una vez que se ajuste el cable y se confirme la función, bloquee la contratuerca contra el cuerpo del ajustador del cable apretando la tuerca solamente, no el ajustador ni el cuerpo del ajustador.



3. Bloqueo de los gatillos

- a. Determine qué estilo de vara de espaldar y gatillo se proporcionaron con la silla comprobando las imágenes de las Figs. 22 y 23.
- b. Asegúrese de que la silla esté bloqueada presionando las manijas del espaldar.
- c. Inserte el pasador, unido por un cordón al gatillo, en el orificio del gatillo manual (Fig. 22:A y 23:A).
- d. Asegúrese de que el gatillo ya no libere los bloqueos de inclinación apretándolo suavemente y presionando las varas del espaldar para inclinar la silla.

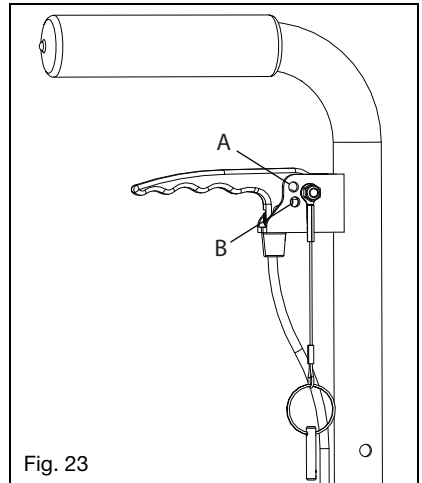
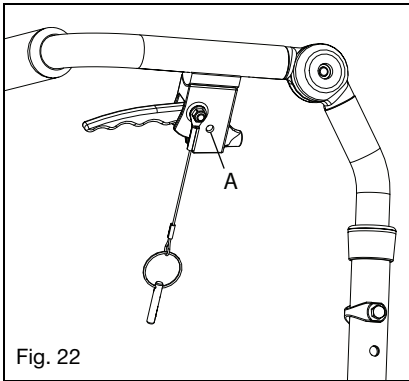
IV. USO Y CONFIGURACIÓN DE LA SILLA DE RUEDAS

R. Mecanismo de inclinación (continuación)

4. Fijar los gatillos en la posición de desbloqueo

Los gatillos se fijan en la posición de desbloqueo sólo cuando se está ajustando el centro de gravedad.

- Determine qué estilo de vara de espaldar y gatillo se proporcionaron con la silla comprobando las imágenes de las Figs. 22 y 23.
- Apriete los gatillos para desbloquear el mecanismo de inclinación sosteniendo las varas del espaldar y controlando la posición de inclinación.
- Para el estilo que se muestra en la Fig. 23, bloquee el gatillo en la posición de desbloqueo insertando el pasador en el orificio del gatillo manual (Fig. 23:B).
- Deje que el chasis del asiento se incline hasta que descansa en una posición estable.

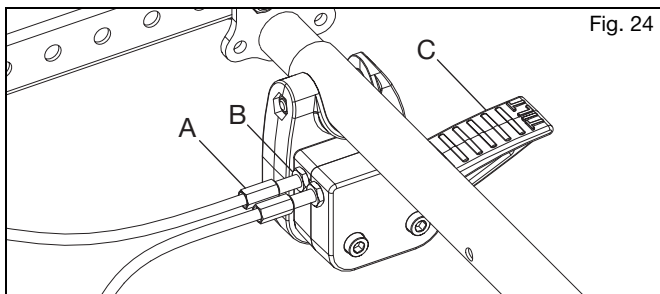


IV. USO Y CONFIGURACIÓN DE LA SILLA DE RUEDAS

R. Mecanismo de inclinación (continuación)

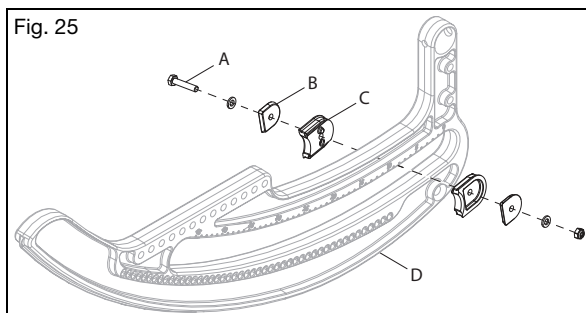
Uso de la inclinación accionada por el pie

1. Inclinación del chasis del asiento
 - a. Presione el pedal (Fig. 24:C).
 - b. Gire el chasis del asiento a la posición deseada manteniendo presionado el pedal.
 - c. Libere el pedal para bloquearlo en su sitio.
2. Ajuste del acoplamiento
 - a. Use dos llaves de 10 mm para aflojar la contratuerca (Fig. 24:B) mientras mantiene la posición (Fig. 24:A) del ajustador. Repita en el cable opuesto.
 - b. Ajuste el cable girando los ajustadores hasta obtener la tensión deseada. Asegúrese de que los actuadores de los bloqueos mecánicos no se activen mientras se suelta el pedal y que los bloqueos mecánicos se deslicen libremente cuando se pisa el pedal.
 - c. Una vez que se obtiene la tensión deseada y se prueba que funciona correctamente, mantenga la posición de los ajustadores con la llave y apriete la contratuerca. Repita en el cable opuesto.



Uso de los tope de inclinación

1. Coloque las almohadillas de tope de inclinación (Fig. 25:A) a ambos lados de cada chasis giratorio (Fig. 25:B) en el lugar deseado. Las almohadillas deben encajar.
2. Coloque las placas de empuje (Fig. 25:C) en los bolsillos de las almohadillas.
3. Inserte y apriete el tornillo (Fig. 25:D) con la tuerca y la arandela para que se bloquee en su lugar.
4. Para cambiar la ubicación de los tope de inclinación, quítelos y vuelva a armar de acuerdo con las instrucciones anteriores en la nueva ubicación deseada.



IV. USO Y CONFIGURACIÓN DE LA SILLA DE RUEDAS

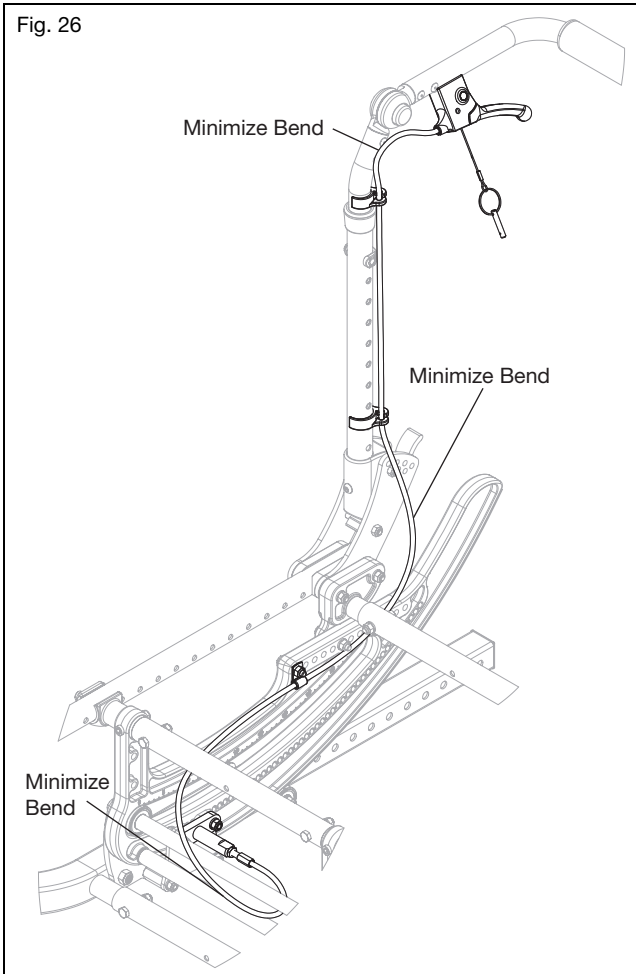
R. Mecanismo de inclinación (continuación)

Manutención del cable

Los mecanismos accionados por el cable requieren mantenimiento periódica (véase la Fig. 26).

Confirme que los cables estén:

- Regulados correctamente
- Dispuestos correctamente
- Los pliegues del cable deben minimizarse para reducir la fricción.
- Sustituya los cables si están retorcidos o no se pueden regular.



IV. USO Y CONFIGURACIÓN DE LA SILLA DE RUEDAS

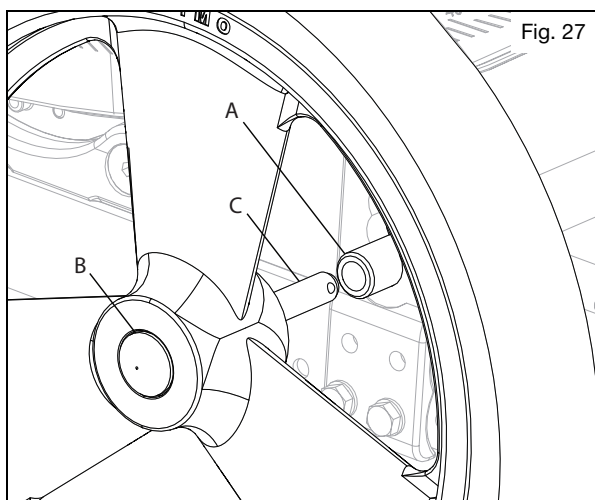
S. Ruedas posteriores

⚠ **ADVERTENCIA** ⚠

ADVERTENCIA: Antes de poner en uso su silla de ruedas, cerciúrese que el botón de liberación rápida esté sobresalido por completo y las bolillas bloqueadoras en su interior, bien activadas. De lo contrario, la rueda podría zafarse, lo que podría provocar una caída o un vuelco, y podría ocasionarle lesiones graves o la muerte a usted u otras personas.

Cómo usar sus ruedas posteriores

1. Instalación de las ruedas
 - a. Presione el botón de liberación rápida (Fig. 27:B) en el eje (Fig. 27:C) para permitir que las bolillas bloqueadoras se retraigan. Preste atención a la diferencia entre las posiciones sobresalida y contraída del botón de liberación del eje, y cómo influye sobre las bolillas bloqueadoras en el otro extremo del eje.
 - b. Inserte el eje en el alojamiento del cojinete de la rueda, si ésta está separada de la silla de ruedas.
 - c. Presione nuevamente el botón de liberación rápida y deslice el eje dentro del manguito del eje (Fig. 27:A).
 - d. Suelte el botón para bloquear el eje en el manguito. Si el botón de liberación no sobresale por completo y las bolillas bloqueadoras no van a posición bloqueada después de soltar el botón, se debe corregir la longitud del eje.
 - e. Si la rueda no encaja, intente instalarla en el lado opuesto.




2. Cómo quitar las ruedas
 - a. Mantenga la rueda cerca del cubo y presione el botón en el extremo exterior del eje.
 - b. Mientras mantiene presionado el botón, extraiga la rueda y el eje de su manguito.

IV. USO Y CONFIGURACIÓN DE LA SILLA DE RUEDAS

T. Seguros de las ruedas

ADVERTENCIA

ADVERTENCIA: Los neumáticos desinflados o desgastados pueden hacer que los seguros de las ruedas no funcionen correctamente. Si los seguros de las ruedas no sostienen su silla, podría perder el control o caerse y provocar lesiones graves o la muerte.

 Los seguros de las ruedas no se deben utilizar como frenos para reducir la velocidad de su silla de ruedas o detenerla. Usar un seguro de rueda como freno podría provocar pérdida del control o una caída que podría ocasionar lesiones graves o la muerte.

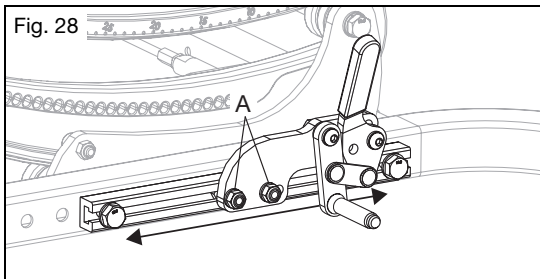
Funcionamiento del seguro de las ruedas

1. El funcionamiento del seguro de las ruedas se basa en el estilo de seguro con el que esté equipada su silla. El enganche de la barra del seguro de la rueda con el neumático se hace empujando o tirando de la manija del seguro de la rueda para enganchar completamente la barra del seguro de la rueda al neumático.
2. Para desenganchar el seguro de la rueda, muévelo en dirección opuesta.

Cómo regular los seguros de las ruedas

NOTA: Siempre afloje y apriete los pernos u otros elementos de las ruedas aflojando y apretando un poco cada vez a cada lado. Evitará así un exceso de presión sobre un set de pernos o elementos que provoca atascamiento y mayor dificultad para retirarlos.

1. Utilice una llave o llave cava de 10 mm para aflojar (no quitar) el perno hexagonal (Fig. 28:A) debajo del bloque de instalación del chasis de la base.
2. Deslice la placa de instalación hacia adelante o hacia atrás para lograr un bloqueo adecuado.
3. Vuelva a apretar el perno hexagonal.

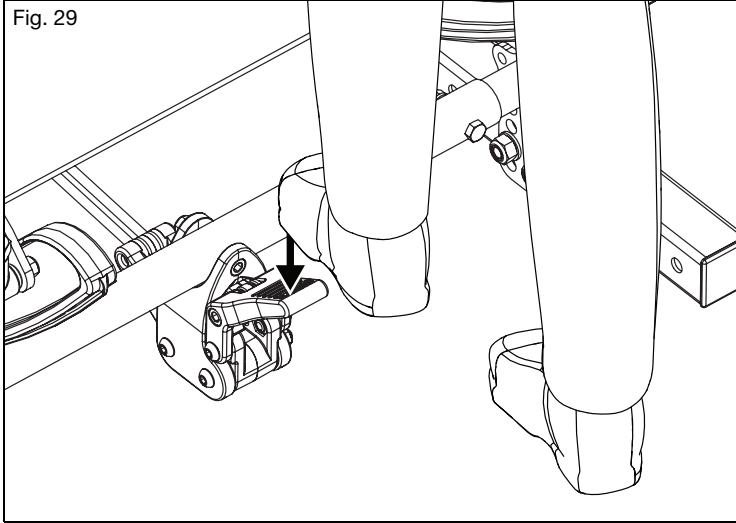


IV. USO Y CONFIGURACIÓN DE LA SILLA DE RUEDAS

U. Bloqueo de pie del asistente

Cómo usar el bloqueo de pie del asistente (Fig. 29)

1. Para engancharlo, el asistente pisa la palanca del pie hasta que se bloquea.
2. Para liberarla, el asistente levanta la palanca con el pie.



IV. USO Y CONFIGURACIÓN DE LA SILLA DE RUEDAS

V. Antivuelco

⚠️ ADVERTENCIA ⚠️

ADVERTENCIA: Mantenga en todo momento los antivuelco activados hacia abajo siempre que no haya riesgo de interferencia. Haga que un profesional clínico o técnico confirme que sus antivuelco están correctamente instalados. El control se realiza inclinando hacia atrás la silla de ruedas con el usuario sentado, cargando el peso sobre los antivuelco, para probar que limitan adecuadamente la rotación hacia atrás de la silla de ruedas. Si los antivuelco permiten que la silla de ruedas se incline hasta un punto en el cual su centro de gravedad (COG) está alineado verticalmente con el punto donde la rueda toca el suelo, significa que la silla de ruedas es inestable y podría volcarse. Un vuelco puede dañar su silla de ruedas, causar lesiones graves o la muerte.

⚠️ Los usuarios, ya sean nuevos o expertos, que se pasan a otra silla de ruedas o bien que regulan la configuración de su silla actual, deben activar en todo momento los antivuelco. Si existe algún cambio en las capacidades físicas del usuario, también debe usar antivuelco. Cualquier cambio en las capacidades físicas del usuario o en la silla de ruedas aumenta el riesgo de volcar hacia atrás. Un vuelco hacia atrás puede dañar su silla de ruedas, causar lesiones graves o la muerte. Es importante activar siempre los antivuelco hasta que se haya adaptado a una silla de ruedas nueva o reconfigurada.

⚠️ Quite o desplace hacia arriba los antivuelco al subir o bajar bordillos, obstáculos y escalones. Si los antivuelco se dejan en posición hacia abajo al subir o bajar bordillos, obstáculos y escalones, pueden doblarse o quebrarse. Si los antivuelco están doblados o quebrados, ya no evitarán que la silla de ruedas se vuelque hacia atrás. Un vuelco hacia atrás puede dañar su silla de ruedas, causar lesiones graves o la muerte.

⚠️ Los antivuelco pueden no ser eficaces cuando se transita con la silla de ruedas por superficies flojas (como por ejemplo arena, tierra suelta, césped y grava), rampas y pendientes irregulares. Si el antivuelco no es eficaz, la silla de ruedas puede volcarse hacia atrás. Un vuelco hacia atrás puede dañar su silla de ruedas, causar lesiones graves o la muerte.

⚠️ Ki Mobility recomienda usar dos antivuelco en su silla de ruedas. El uso de un solo antivuelco aumenta el riesgo de vuelco hacia atrás. Un vuelco hacia atrás puede dañar su silla de ruedas, causar lesiones graves o la muerte.

Ki Mobility recomienda usar antivuelco con su silla de ruedas. Los antivuelco ayudan a evitar que su silla de ruedas se incline hacia atrás. Cuando se ajustan adecuadamente, los antivuelco proporcionan un aumento significativo en la estabilidad hacia atrás. El uso de antivuelco no garantiza que su silla de ruedas no vuelque. Recuerde volver a activar o girar hacia abajo los antivuelco cada vez que los haya quitado o girado hacia arriba.

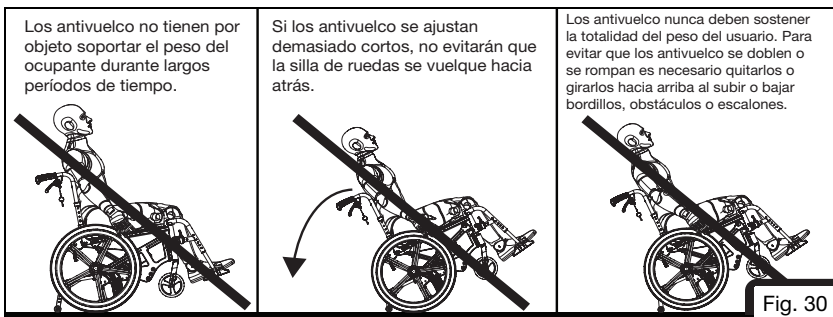


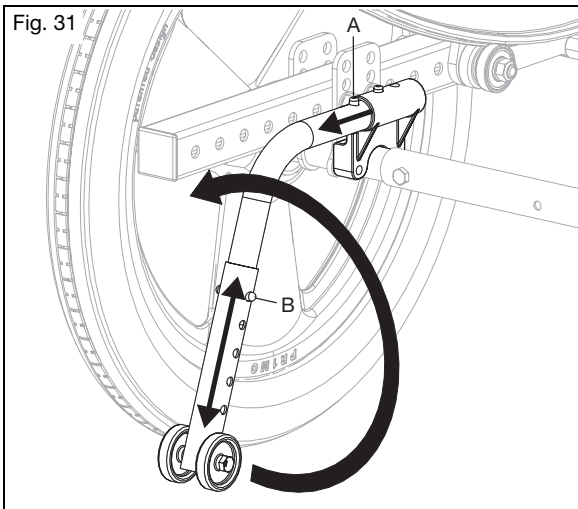
Fig. 30

IV. USO Y CONFIGURACIÓN DE LA SILLA DE RUEDAS

V. Antivuelco (Continuación)

Cómo usar los antivuelco

1. Girar los antivuelco hacia arriba
 - a. Presione los botones (Fig. 31:A) de los antivuelco.
 - b. Gire los antivuelco hacia arriba hasta que los botones oprimidos encajen con un clic en el agujero de la parte inferior del alojamiento.
2. Quitar los antivuelco
 - a. Presione los botones (Fig. 31:C) de los antivuelco.
 - b. Tire del antivuelco recto hacia atrás para quitarlo del alojamiento.
 - c. Para volver a instalarlo, oprima los botones y presione las antivuelco de nuevo al interior de los alojamientos, alineando los agujeros del alojamiento con el botón de detención delantero.
3. Ajuste de la altura del asiento
 - a. Presione el botón inferior (Fig. 31:B) de los antivuelco.
 - b. Tire del antivuelco hacia abajo o hasta la altura deseada.
 - c. Asegúrese de que el botón inferior haga clic en uno de los orificios de ajuste de la altura.
 - d. Repita en el lado opuesto de la silla. Asegúrese de que los antivuelco de ambos lados de la silla estén configurados de forma idéntica.




IV. USO Y CONFIGURACIÓN DE LA SILLA DE RUEDAS

W. Superficies de contacto

ADVERTENCIA

ADVERTENCIA: Las superficies calientes de las sillas de ruedas pueden crear situaciones potencialmente peligrosas que, si no se evitan, podrían causar lesiones.

 **No exponga la silla de ruedas ni sus componentes al frío extremo. Las superficies metálicas extremadamente frías pueden congelar la piel sobre la superficie y dañar la piel.**


Tenga en cuenta que la exposición prolongada a la luz solar directa u otras fuentes de calor radiante puede aumentar la temperatura de las superficies de su silla de ruedas por encima de los límites estimados recomendados por estándares.

Los cuidadores deben evaluar a los pacientes a fin de detectar reacciones adversas de la piel por las superficies de contacto tales como enrojecimiento, hinchazón, sensibilización a la irritación, alergia, respuesta inmune u otras reacciones.

X. Soporte del tubo de oxígeno

ADVERTENCIA

ADVERTENCIA: Quite y asegure cualquier elemento fijado temporalmente a la silla mientras está en un vehículo automotor. Dejar puestos elementos sobre el soporte del tubo de oxígeno sin fijarlos de manera adecuada y por separado en un vehículo automotor podría convertirlos en peligrosos proyectiles durante un accidente.

 **Los tubos de oxígeno pueden representar un peligro si no se usan correctamente. Los tubos de oxígeno contienen un gas altamente presurizado que acelera vigorosamente la combustión. Exija al proveedor de su tubo de oxígeno las instrucciones adecuadas para usarlo. Debe prestar atención a todas las advertencias y seguir todas las instrucciones de uso del proveedor de su tubo de oxígeno. Si no se cumple con todas las instrucciones de uso y advertencias, los tubos de oxígeno pueden provocar lesiones graves o la muerte.**

Cómo usar el soporte del tubo de oxígeno

1. Instrucciones de uso:

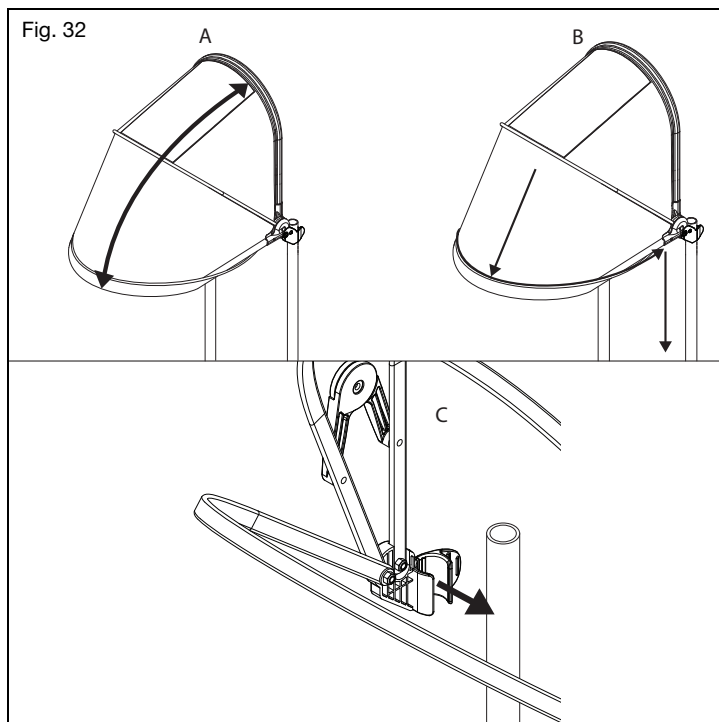
Este soporte para tubo de oxígeno ha sido diseñado para asegurar cilindros D a su silla de ruedas. Asegúrese de que la botella esté bien asentada en la parte inferior del soporte y que la abrazadera esté apretada hasta el punto de que no se pueda sacar el cilindro.

IV. USO Y CONFIGURACIÓN DE LA SILLA DE RUEDAS

Y. Cubierta

Cómo usar la cubierta

1. Plegado de la cubierta (Fig. 32:A)
 - a. Para cerrar, levante el extremo frontal de la cubierta y tome el extremo delantero hasta el extremo posterior y doble la cubierta para apartarla.
 - b. Para abrir, tome el extremo frontal de la cubierta y tire hacia afuera y hacia abajo hasta que la cubierta esté completamente estirada.
 - c. Es muy recomendable quitar la cubierta toda vez que se pliegue o transporte la silla de ruedas para evitar dañarla.
 - d. Si la silla está ocupada durante el tránsito, se debe quitar la cubierta. Vea en el Capítulo IV las advertencias relacionadas con el uso del tránsito. C.
2. Remoción rápida e instalación rápida (Fig. 32:C)
 - a. Empuje los alojamientos de la cubierta para separarlos de las varas del espaldar y ácelos para quitarlos de la silla de ruedas.
 - b. Para reinstalar la cubierta, simplemente coloque la cubierta a presión en las varas del espaldar y ajuste la altura según sea necesario.
3. Borde para contener la lluvia (Fig. 32:B)
 - a. El borde de la cubierta se puede doblar para contener las gotas de lluvia y desviarla del usuario que está sentado en la silla de ruedas.



V. MANUTENCIÓN Y CUIDADO

A. Tabla de mantenimiento

La mantenimiento regular y habitual extenderá la vida útil de su silla de ruedas a la vez que mejorará su desempeño. Reparar una silla de ruedas, sustituir piezas y efectuar cualquier control de mantenimiento en los cuales no se sienta seguro debe ser llevada a cabo por un distribuidor oficial. Use únicamente piezas aprobadas por Ki Mobility cuando reemplace componentes. Póngase en contacto con su representante de servicio autorizado (puede valerse del localizador de distribuidores del sitio web de Ki Mobility) a fin de obtener información sobre piezas, identificación, pedidos e información técnica o instrucción adicional. La mayoría de los componentes se ilustran en "Ki Parts" en el sitio web de Ki Mobility.

Entre las herramientas comunes para realizar el mantenimiento autorizado tenemos: Medidor de presión de los neumáticos, Llaves de boca fija y métricas y Llaves Allen métricas.

ADVERTENCIA

ADVERTENCIA: La falta de mantenimiento podría dar lugar a eventos adversos, entre ellos la pérdida de apoyo o control, lo que podría provocar lesiones graves o la muerte.

PRECAUCIÓN

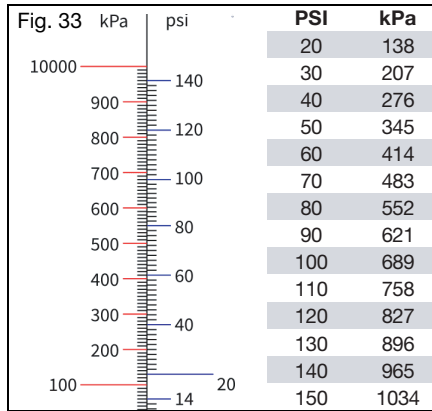
No use disolventes, desengrasantes o agentes deshidratantes a base de petróleo (incluidos, entre otros, limpiadores para automóviles, alcoholes o WD-40). Pueden dañar los componentes, cojinetes o acabados.

Revise	Semanal- mente	Mensual- mente	Anual- mente
Revise los niveles de inflado de los neumáticos e infle según sea necesario. Los niveles de inflado correctos están escritos en el neumático. (Consulte la tabla de conversión de presiones a continuación si es necesario - Fig. 33)	✓		
Revise la correcta activación y desactivación de los seguros de las ruedas. Los cambios de presión y el desgaste de los neumáticos requerirán regular los seguros de las ruedas. El capítulo Seguros de las Ruedas del presente manual contiene las instrucciones para regularlos.	✓		
Inspeccione los manguitos del eje y las placas del eje para asegurarse de que las tuercas de dichos manguitos estén apretadas.	✓		
Compruebe que los ejes de liberación rápida enganchen y desenganchen correctamente.	✓		
Compruebe que las ruedas casters, las ruedas antivuelco y las ruedas posteriores giren libremente. Es posible que sea necesario limpiar o reemplazar piezas si hay algún problema.	✓		
Limpie el área alrededor del alojamiento del caster y los cojinetes. Este es un lugar común para la acumulación de cabello.	✓		
Mantenga limpia la silla de ruedas. Consulte las instrucciones del capítulo de Limpieza de este manual.	✓		
Revise que no haya puntos de desgaste o daños en los neumáticos posteriores, las ruedas antivuelco y las ruedas casters. Reemplácelos de inmediato si es necesario.	✓		
Revise los aros de las ruedas para asegurarse de que estén seguros y no estén dañados.	✓		
Verifique que las empuñaduras no giren ni se salgan. Reemplácelas de ser necesario.	✓		
Cerciórese de que los alojamientos de los apoyabrazos no tengan sujetadores sueltos o faltantes y que estén firmes, regulados correctamente y se mantengan en su posición.	✓		
Limpie las superficies de deslizamiento del chasis giratorio con un paño húmedo.	✓		
Pruebe la función del cable de inclinación e inspeccione visualmente que el cable tenga un enrutamiento correcto (consulte el capítulo Mecanismo de inclinación), y que no tenga dobleces y torceduras agudas.	✓		
Confirme que todos los cables y manijas se liberan y regresan correctamente, si están presentes.	✓		
Compruebe que los antivuelco estén nivelados y sean funcionales.	✓		
Inspeccione visualmente los rodamientos en busca de signos de desgaste o daños.		✓	
Inspeccione el chasis y los antivuelco para detectar deformaciones, defectos, grietas, marcas o torceduras. Estos podrían ser signos de fatiga en la silla de ruedas que podrían dar como resultado una falla. Deje de usar la silla de ruedas de inmediato y póngase en contacto con un proveedor autorizado.		✓	
Revise el tapizado para detectar signos de desgaste, deshilachado o agujeros. Reemplácelo inmediatamente si es necesario.		✓	
Revise que las almohadillas para los brazos, los cojines y el espaldar no tengan daños, rasgaduras o roturas.		✓	
Inspeccione las ruedas en busca de rayos flojos, rotos o doblados. Reemplácelos de inmediato si es necesario.		✓	
Verifique que todos los sujetadores estén apretados. A menos que se indique lo contrario, los sujetadores deben apretarse a 40 in/lb (4.51 N*m).		✓	
Verifique que la silla de ruedas se desplace fácil y recta.		✓	
Haga que un técnico calificado de su proveedor autorizado revise y ajuste la silla de ruedas.			✓

V. MANUTENCIÓN Y CUIDADO

A. Tabla de mantenimiento (Continuación)

Tabla de conversión de presiones



B. Limpieza



PRECAUCIÓN: Lavar los componentes tapizados que contienen retardadores de llama, como se indica en la etiqueta del tapizado, puede reducir la eficacia de los retardadores de llama con el tiempo. Esto puede aumentar el riesgo de ignición cuando se expone a llamas expuestas u otras fuentes de ignición, lo que puede aumentar el riesgo de lesiones.

Ejes, ruedas, neumáticos y piezas móviles:

1. Limpie semanalmente alrededor de los ejes y las ruedas con un trapo húmedo.
2. El pelo y la pelusa se alojan dentro y alrededor del alojamiento del caster y los ejes de las ruedas posteriores. Quite con un cepillo rígido o un punzón. Tenga cuidado de no dañar los sellos de los cojinetes.

Superficies pintadas

1. Lave a mano con un paño y un detergente suave.
2. Seque con un paño limpio o deje que la silla de ruedas se seque al aire.
3. Se puede usar cera no abrasiva para ayudar a preservar las superficies pintadas.

Tapizado:

1. Lave a mano con un paño y un detergente suave.
2. Deje que el tapizado se seque con el aire. **NO** seque con secarropas.

Componentes de plástico

1. Lave a mano con un paño y un detergente suave.
2. No use disolventes ni limpiadores agresivos, ya que pueden dañar los componentes de plástico.

Desinfección

1. Desinfecte las superficies con un desinfectante de venta libre con un mínimo de 70% de alcohol, o bien con toallitas. No empape con las soluciones de limpieza ni deje grandes cantidades de líquido acumuladas.
2. Deje actuar el desinfectante sobre la superficie al menos 15 minutos y luego retírelo con un paño aséptico.

V. MANUTENCIÓN Y CUIDADO

C. Almacenamiento

1. Cuando no esté en uso, mantenga su silla en un área limpia y seca. De lo contrario, la silla se oxidará o corroerá.
2. Si su silla ha estado almacenada durante más de dos meses, debe ser revisada por su proveedor autorizado antes de usarla.

D. Eliminación

La construcción de las sillas de ruedas y el sistema de inclinación motorizada Ki no plantean peligros conocidos en la preparación para la eliminación o materiales que presenten un peligro biológico para su eliminación. El daño a la caja de control RCB-10 podría provocar fugas de ácido de la batería. Tome precauciones y use protección para las manos y los ojos cuando sea necesario manipularlo.

Es posible que existan normativas locales específicas sobre la eliminación o el reciclaje de desechos; téngalas en cuenta cuando necesite deshacerse de desechos. Esto puede incluir la limpieza o descontaminación de la silla de ruedas antes de desecharla.

Si es obligatorio reciclar los materiales, tenga en cuenta los siguientes materiales generales usados en los componentes de la silla de ruedas:

- Aluminio - Chasis, horquilla del caster, montaje del caster, alojamiento de los cojinetes, ensamble del tubo de camber, placas de montaje del espaldar y su chasis, barra de liberación del espaldar, manijas de empuje, tubos del apoyapiés, bandeja apoyapiés, rieles del asiento, aros de las ruedas y llanta.
- Acero - Sujetadores, ejes de liberación rápida, vástagos de los casters, pestillo de liberación del espaldar, rayos de las ruedas, cojinetes y manguito del eje.
- Plástico - Ruedas posteriores, neumáticos de los casters, manijas de empuje, almohadillas del apoyabrazos y tapones de los tubos.
- Tapizado – Tela tramada de poliéster y espuma de poliuretano.

Si se desea reciclar los materiales o es requerido, como por la Directiva 2012/19/EU, WEEE (Desechos de equipos eléctricos y electrónicos) en Europa, tanto REAC como Mascot cumplen con WEEE y brindan una guía sobre reciclaje y eliminación. Es necesario un desmontaje adecuado para lograr una alta proporción de reutilización o reciclaje. Al manipular, es necesario cuidar de usar herramientas adecuadas y medidas de protección para evitar el contacto con bordes afilados.

Los plásticos marcados con símbolos de reciclaje y las piezas termoplásticas se pueden reciclar. Las piezas de aluminio, cobre y acero, incluidos los sujetadores, pueden reciclarse. Los cables, baterías y PCB deben eliminarse por separado según los requerimientos locales.

Si tiene dudas o no logra deshacerse de la silla de ruedas como corresponde, devuélvala junto con los accesorios a su proveedor autorizado para que los elimine según las normas.

VI. RESOLUCIÓN DE PROBLEMAS

A. Problemas y soluciones

Para un rendimiento óptimo, su silla de ruedas debe ser regulada cada tanto. La siguiente es una lista de posibles problemas que puede encontrar durante la vida útil de su silla de ruedas y las soluciones sugeridas para cada problema. Para obtener los mejores resultados en la resolución de problemas, pruebe una solución a la vez, antes de pasar a una segunda solución. Si los problemas no mejoran o no está seguro de solucionarlos, se recomienda llevar la silla de ruedas a un centro de servicio autorizado para su reparación.

Soluciones:

A - Autocorrección si es posible o póngase en contacto con el distribuidor autorizado

B - Comuníquese con el distribuidor autorizado

		Problemas								
		La silla tira hacia un lado	Silla floja	Dificultad para girar	Caster suspendido en el aire	Caster que vibra	Chirridos, chasquidos o traqueteo	No se inclina o hace un traqueteo al inclinarse	Dificultad para inclinarse	La silla se inclina demasiado rápido o es difícil de recuperar
Soluciones	B	Agregue la arandela espaciadora entre el vástago del caster y el cojinete inferior del alojamiento del caster en el lado izquierdo o derecho de la silla.	X				X			
	A	Asegúrese de que la presión de todos los neumáticos sea correcta y uniforme entre ellos.	X		X	X				
	A	Verifique que todos los sujetadores estén apretados apropiadamente; apriételos si es necesario.	X	X			X		X	
	A	Aplique un lubricante a base de teflón entre las conexiones del chasis y las correspondientes piezas de acoplamiento en las áreas sospechosas.						X		
	B	Asegúrese de que el mecanismo de inclinación del cable o de pie estén ajustados y los engranajes desenganchen los dientes (ver Capítulo S.)							X	
	B	Inspeccione el desgaste del rodamiento. Reemplácelo de ser necesario.						X	X	
	B	Inspeccione las superficies de los rodamientos del chasis giratorio en busca de daños. Límpielos según sea necesario.						X	X	
	B	Optimize el seteo del Centro de Gravedad.							X	X
	B	Confirme que los alojamientos de los casters estén perpendiculares al plano del suelo.	X							
	A	Quite los residuos de casters y cojinetes.	X	X						

VII. GARANTÍA

Ki Mobility garantiza el chasis, las barras, el ensamble de inclinación (incluidos los cojinetes) y los ejes de liberación rápida de esta silla de ruedas ante defectos de materiales y mano de obra durante la vida del comprador original. Los componentes de la basculación mecanizada poseen garantía por dos años, con excepción de las baterías. Todas las demás piezas y componentes de esta silla de ruedas están garantizados ante defectos de los materiales y la mano de obra por un término de un año desde la fecha de compra del primer consumidor.

La vida estimada del chasis es de cinco años.

Limitaciones a la garantía

1. No garantizamos:
 - a. Artículos de desgaste: Tapizado, neumáticos, apoyabrazos y sus almohadillas, tubos y manijas de empuje.
 - b. Daños resultantes de negligencia, mal uso o instalación o reparación inadecuada.
 - c. Daño por exceder el límite de peso.
2. Esta garantía es NULA si se quita o altera la etiqueta original del número de serie de la silla de ruedas.
3. Esta garantía es NULA si la silla de ruedas original ha sido modificada con respecto a su estado originario y se determina que dicha modificación dio como resultado una falla.
4. Esta garantía es válida sólo en América del norte. Infórmese con su proveedor si tienen garantías de alcance internacional.

Responsabilidad de Ki Mobility

La única responsabilidad de Ki Mobility es sustituir o reparar, a su propia discreción, las piezas cubiertas por garantía. No existen otros recursos explícitos o implícitos.

Responsabilidad del comprador

- a. Cursar notificación a Ki Mobility a través de un proveedor autorizado antes del final del período de validez de la garantía, y obtener una autorización de devolución (RA) para devolver o reparar las piezas cubiertas por garantía.
- b. Exigir que el proveedor envíe el artículo con devolución autorizada, con transporte prepago, a:
Ki Mobility
5201 Woodward Drive
Stevens Point, WI 54481
- c. Pagar todo costo de mano de obra para reparar o instalar piezas.

VIII. ESPECIFICACIONES - CR45


Fabricante: Ki Mobility	Masa máxima de ocupantes: 136 kg, 300 lb
Dirección: 5201 Woodward Dr., Stevens Point, WI 54481	Grupo de masa de ocupantes (I, II or III): III
Modelo: CR45	

Declaración informativa (ISO)								
Normativa de referencia	Medición	Valor fijo o mínimo	Valor máximo, de ser relevante	Normativa de referencia	Medición	Dim. N°	Valor fijo o mínimo	Valor máximo, de ser relevante
ISO 7176-5 8.2	Longitud total con apoyapiernas (Est o SRC)	1130 mm 44.5 in	- mm - in	ISO 7176-1 11	¿El dispositivo antivuelco evitó que la silla de ruedas se volcara?			Sí
ISO 7176-5 8.2	Longitud total con apoyapiernas (MDC/MAC)	1524 mm 60 in	1676 mm 66 in	ISO 7176-3 7.2	Pendiente máxima cuesta arriba / cuesta abajo	N/A	11°	9°
ISO 7176-5 8.3	Ancho total	743 mm 29.25 in	- mm - in	ISO 7176-3 6b	Potencia operativa del freno	N/A	57 N 12.75 lb	- N - lb
ISO 7176-5 8.4	Altura de la empuñadura (SRC/MDC)	1078 mm 42.44 in	622 mm 24.5 in	ISO 7176-30 5.10	Potencia operativa de la palanca (basculación/reclinación)	N/A	35 N 7.85 lb	29 N 6.6 lb
ISO 7176-5 8.5	Longitud plegada (SRC/MDC)	1156 mm 45.5 in	- mm - in	ISO 7176-30 8	Potencia de regulación del espaldar reclinable	N/A	165 N 37 lb	- N - lb
ISO 7176-5 8.6	Ancho plegado (SRC/MDC)	648 mm 25.5 in	- mm - in	ISO 7176-7 3.2	Ángulo del plano del asiento	(1)	3°	46°
ISO 7176-5 8.7	Altura plegada (SRC/MDC)	819 mm 32.25 in	- mm - in	ISO 7176-7 3.3	Profundidad efectiva del asiento	(2)	440 mm 17.3 in	- mm - in
ISO 7176-5 8.8	Ascendente	70 mm 2.75 in	- mm - in	ISO 7176-7 3.5	Ancho efectivo del asiento	(4)	548 mm 21.6 in	- mm - in
ISO 7176-5 8.9	Masa total	33 kg 73 lb	- kg - lb	ISO 7176-7 3.6	Altura de la superficie del asiento en la parte delantera	(5)	555 mm 21.9 in	- mm - in
ISO 7176-5 8.10	Masa de la parte más pesada	25 kg 55 lb	- kg - lb	ISO 7176-7 3.7	Ángulo del espaldar	(6)	6°	74°
ISO 7176-5 8.13	Radio de giro (SRC/MDC)	2007 mm 79 in	2534 mm 99.75 in	ISO 7176-7 3.8	Altura del espaldar	(7)	470 mm 18.5 in	- mm - in
ISO 7176-5 8.15	Ancho requerido de un pasillo con ángulo (SRC/MDC)	1016 mm 40 in	1194 mm 47 in	ISO 7176-7 3.12	Distancia del apoyapiés al asiento	(11)	512 mm 20.2 in	- mm - in
ISO 7176-5 8.16	Profundidad requerida de entrada en puertas (SRC/MDC)	1486 mm 58.5 in	2165 mm 85.25 in	ISO 7176-7 3.16	Ángulo de la pierna a la superficie del asiento	(15)	97°	- °
ISO 7176-5 8.17	Ancho requerido del pasillo para la apertura lateral (SRC/MDC)	1245 mm 49 in	1473 mm 58 in	ISO 7176-7 3.17	Distancia del apoyabrazos al asiento	(16)	120 mm 4.7 in	280 mm 11.0 in
ISO 7176-1 8	Estabilidad estática cuesta abajo	17°	35°	ISO 7176-7 3.18	Distancia del frente del apoyabrazos al espaldar	(17)	325 mm 12.8 in	- mm - in
ISO 7176-1 9	Estabilidad estática cuesta arriba	15°	28°	ISO 7176-7 3.23	Ubicación frontal de la estructura del apoyabrazos	(22)	320 mm 12.6 in	- mm - in
ISO 7176-1 10	Estabilidad estática lateral	16°	23°	ISO 7176-7 3.24	Diámetro del aro de la rueda	(23)	520 mm 20.5 in	- mm - in
ISO 7176-1 11	Estabilidad estática con antivuelco	32°	34°	ISO 7176-7 3.26	Ubicación horizontal del eje	(25)	118 mm 4.6 in	- mm - in

Esta silla de ruedas cumple con las siguientes normas:	Sí	No	N/A
a) Requisitos y métodos de prueba para resistencias estáticas, de impacto y de fatiga (ISO 7176-8 e ISO 717-30, según corresponda)			X
b) Requisitos para la resistencia a la ignición de acuerdo con la norma ISO 7176-16			X

Consulte la sección Advertencias generales del manual para obtener más información sobre la inflamabilidad.



 Ki Mobility
5201 Woodward Drive
Stevens Point, Wisconsin 54481
715-254-0991



www.kimobility.com



DCN0907.3